



ویرا پرداز آروین پاسارگاد

با مدیریت خانم مهندس احمدی



جهت مشاوره

با کارشناسان فنی

با ما در ارتباط باشید



021 - 91001377



0935 125 90 98



O-RINGS CATALOGUE

*QUALITY
PRECISION
SPEED*

**MAX SPARE
LIMITED**



ASIA'S LARGEST SEAL PLANT



INTRODUCTION

Max Spare was incorporated in 1959 for manufacturing of Hydraulic and Pneumatic Seals, Rotary Shaft Seals and 'O' Rings. Over the years, Max Spare has evolved as India's No. 1 Seal Manufacturer, catering to a wide spectrum of industries with different sealing needs. Max Spare with its emphasis on Quality and Technology is ISO 9001-2015 certified and exports its seals and 'O' rings to quality conscious markets in Europe and North America. Having mutually enriching alliances with leading seal manufacturer and stockiest in Europe, Canada and the United States, exports contribute more than 60% of the current sales.

Max Spare caters to both replacement and Original Equipment market. With application ranging from Gear Boxes, Bearings, Pumps, Hydraulic and Pneumatic Systems, Constructions and Mining Equipments, Hydraulic and Pneumatic Cylinders, etc. With the advantages of having all facilities under one roof, Max Spare is well equipped to handle all sealing requirements from simple 'O' rings to complex profiles and large dia seals upto 3000 mm.

As a leading seal manufacturer for many years, Max Spare has diversified it's business to enter into the maximum products for its customers by adding new products range.

With Quality, Precision & Speed Max Spare is geared up to cater the requirements of its customers with best service support.





Warning

FAILURE, IMPROPER SELECTION OR IMPROPER USE OF THE PRODUCTS AND / OR SYSTEMS DESCRIBED HEREIN OR RELATED ITEMS CAN CAUSE DEATH, PERSONAL INJURY AND PROPERTY DAMAGE.

Please carefully evaluate your particular sealing application. In any application for which there might be a risk of property damage or injury to persons, the final selection of a suitable product should be made by individuals possessing sufficient technical skills and competence.

The product properties and operating parameters described in this catalogue are based upon industry standards or reported by others. Product cross-reference comparisons are based on data obtained from others and are shown in this handbook only to assist in the initial consideration of the type and features of the product required by your application. Only a trained professional should make the final product selection.

The data presented herein are subject to change without notice. Although care has been taken in compiling the data presented in this catalogue, Max Spare does not assume any responsibility or liability for errors in any data published in this catalogue.

Warranty / Liability

Max Spare Limited warrants that all products sold by it, shall be free of defects in material and workmanship to the first user / purchaser for a period of one year from the date of purchase**. At the discrepancy of Max Spare any product proven unable to meet the design capabilities for which it was produced shall be replaced or repaired free of charge including transportation, but not the cost of installation, provided that the product was not subject to negligence, accident, or damages beyond our control. All other warranties expressed or implied including warranty of merchantability are hereby disclaimed. We shall not be responsible for any consequential damages.

** Sales are subject to terms and considerations

ALL CONTENTS COPYRIGHT @ 22 MAX SPARE LIMITED (Edition 31102021)

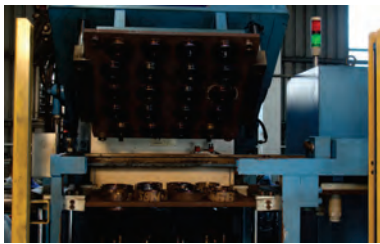
All Rights Reserved including translation, metrification, electronic, magnetic and optical copying. No part may be reproduced without permission in writing from Max Spare Ltd.

O-Rings & Back up Rings

O-ring.981015-D



The information contained in this catalogue is based on many years of experience in the fluid power industry, specifically in the manufacturing and application of fluid sealing and bearing systems. This information is a product of extensive in-house testing & vast international experience across all types of industries since 1959. However, unknown parameters and conditions may restrict general statements during usage.



We would be obliged to offer our recommendations and sealing solutions for your particular application. However, no warranty or guarantee is expressed since the conditions of use are beyond our control.



The proportions of all the seal ranges have been determined to give a satisfactory performance when used with the recommended operating conditions.

The material from which each seal type is made could be found in the description under each seal type.



Max Spare is continuously improving its ranges and reserves the right to withdraw or modify any item shown in this catalogue without notice.

Content

03 General Technical Information

- Sealing Materials
- Fluid Compatibility Table
- Cause of Failures & Counter Measures
- Installation and Maintenance of Seals
- Storage of Seals

25 O Ring Sizes

153 O Ring P JIS B401

157 O Ring G JIS B401

159 O Ring Cords

161 O Ring Kit Boxes

165 Quad Ring

175 B/U Ring

177 Seal Engineering Request Form

O-rings are becoming an essential sealing element in a wide range of applications - a field which covers automobiles, pumps, and the general industry. O-rings are basically a device for closing (sealing) a gap or tightening a joint fluid. In this case the fluid can be gaseous or liquid. Maxspare offers O-rings for hydraulic, pneumatic, and rotary applications, and is generally only suitable for static and slow reciprocating (up to 20 cm / s speed) applications. For rotary applications, O-rings can be used where peripheral speeds are very low, but these are considered special cases that require careful design parameters and are not included in this standard. The dimensional tolerances for the metric series of O-Rings shown in Fig. 1, are listed in Table 1. O-Ring cross-sections of 1.00 mm to 40.00 mm and diameters up to 5000 mm and above are available.

APPLICATION

O-Rings can generally be classified in to dynamic applications (packing) and static applications (gaskets)

- Static Seal - Where the sealing takes place between surfaces which do not move relative to one another
- Dynamic Seal - Where sealing takes place between surfaces that have relative movement e.g., Reciprocating movement of a rod or a piston in a cylinder.

O-Ring used for static sealing is zero leakage seals which aim at providing a complete physical barrier in a potential leakage path to which they are applied. The O-Ring material chosen must be resilient enough to flow into any irregularities in the surface being sealed at the same time rigid enough to withstand the pressure & resist extrusion in the GAP. Any stress relaxation of the seal material may cause seal failure (which may cause creep into the clearance). All such O-Rings require an interference fit with one of the mating parts on the assembly.

The dynamic O-Ring performs sealing by imparting a preload pressure or squeeze providing sealing, due to the interference fit in a static condition. Under fluid pressure acting on one side of the seal through the clearance gap, the O-Ring section is deformed increasing the interface pressure by an equal amount to the fluid pressure. Thus, if the preload pressure is P & the fluid pressure, the effective interface pressure under working conditions is $p + P$ (Fig. 2) because this is greater than the actual fluid pressure (P) sealing is maintained.

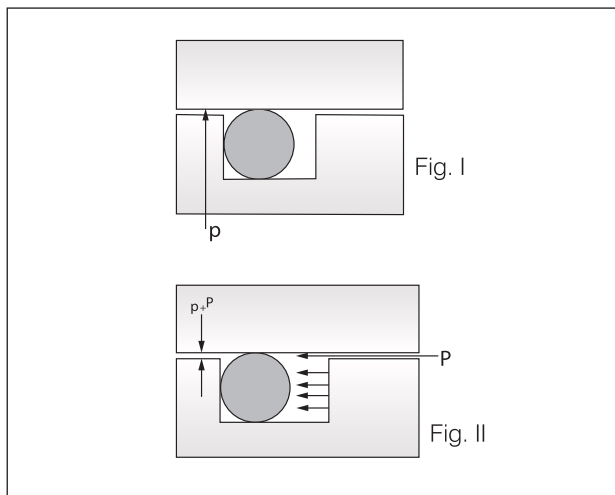


Fig. 2 :

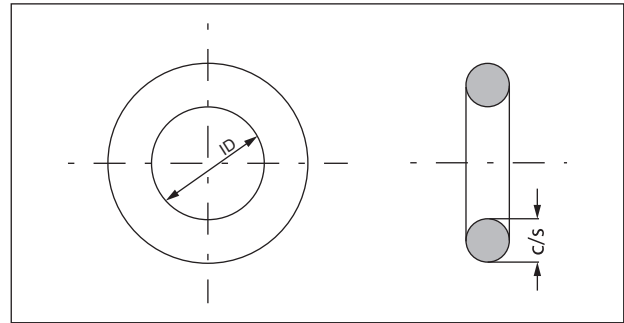


Fig. 1 : O Ring dimension

METHOD OF OPERATION

O-Rings are double-acting sealing elements. In the initial squeeze, which works in a radial or axial direction based on the installation, and O-Ring must be deformed on the diameter section to give it an initial sealing force within a housing (Fig. 3). When the system pressure is applied, the O-Ring deforms further (Fig. 4). But because of the initial squeeze, the sealing force always exceeds the force exerted on the O-Ring by the system pressure.

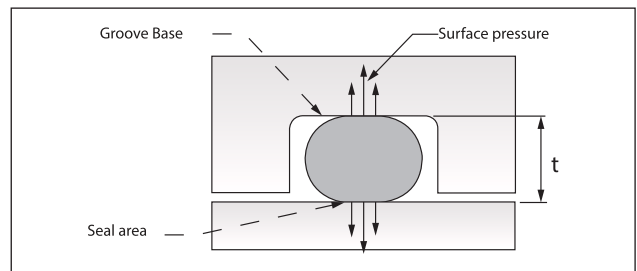


Fig. 3 : Compressed O-ring in installation space without pressure.

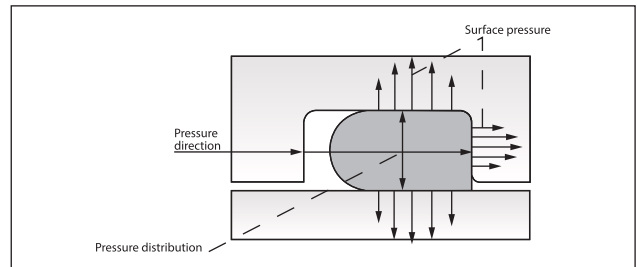


Fig. 4 : Compressed O-ring in installation space under pressure.

DESIGN RECOMMENDATIONS

General recommendations before starting installation are:

- Lead-in chamfers made according to standard.
- Bores deburred and edge rounded.
- Machining residues, e.g. chips, dirt and foreign particles are removed.
- Screw thread tips covered.
- Seals and components greased or oiled.

SEAL HOUSING DIMENSIONS, TOLERANCES AND DESIGN CRITERIA FOR STANDARD APPLICATIONS

Design criteria are based on the elastomeric compound of 70 Shore A, working at pressure up to 10 Bar and temperature between -30°C and +100°C. For other working conditions (pressures, temperature, etc) it may be necessary to select elastomeric compounds of other hardness or to incorporate anti-extrusion rings.

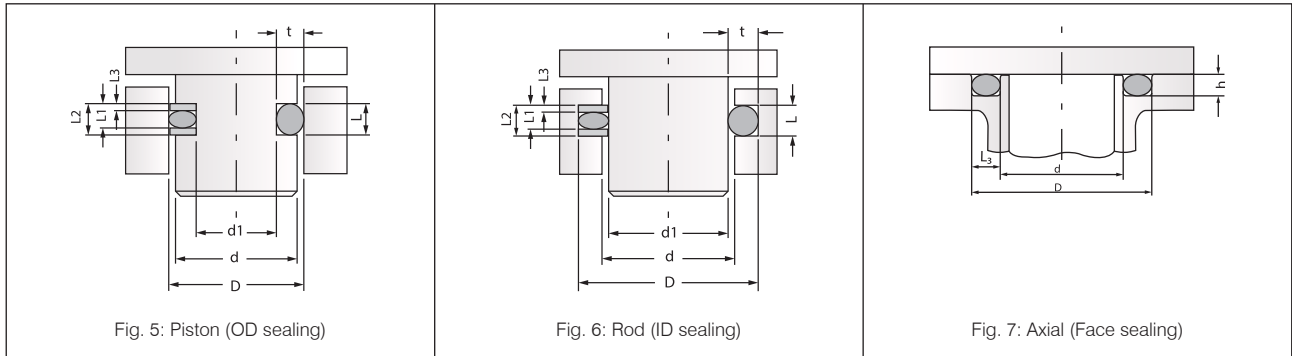


Table 1: O-Ring housing dimensions for piston, rod & axial staling.

O-Ring C/S	Preferred Diameters Range d/D	Groove Depth		Groove Width L +0.20		Groove Width 1 Backup Ring L1 + 0.25 5 & 6	Groove Width 2 Backup Ring L2 + 0.25 5 & 6	Backup Ring Width L3
		Fig. 5 & 6 (t)	Fig. 7 (h) +0.10 -0.00	Fig. 5 & 6	Fig. 7 (L3)			
1.00	1-10	0.80	0.75	1.40	1.60	2.40	3.40	1.00
1.50	10-15	1.20	1.10	2.00	2.20	3.00	4.00	1.00
1.78	15-20	1.35	1.25	2.40	2.60	3.40	4.40	1.00
2.00	20-50	1.55	1.45	2.70	2.90	3.70	4.70	1.00
2.50	20-50	1.95	1.85	3.40	3.60	4.90	6.40	1.50
2.62	20-50	2.00	1.90	3.60	3.80	5.10	6.60	1.50
3.00	50-80	2.35	2.25	4.10	4.30	5.50	7.00	1.50
3.50	50-80	2.75	2.65	4.80	5.00	6.30	7.80	1.50
3.53	50-80	2.80	2.70	4.80	5.00	6.50	7.80	1.50
4.00	80-250	3.20	3.10	5.30	5.50	6.80	8.30	1.50
4.50	80-250	3.60	3.70	6.15	6.20	8.15	10.15	2.00
5.00	80-250	4.10	4.00	6.60	6.80	8.60	10.60	2.00
5.33	80-250	4.25	4.35	7.20	7.40	9.20	11.20	2.00
5.70	250-500	4.60	4.70	7.50	7.70	10.00	12.50	2.50
6.00	250-500	4.90	5.00	8.00	8.20	10.50	13.00	2.50
6.50	250-500	5.35	5.45	8.60	8.80	11.10	13.60	2.50
6.99	250-500	5.80	5.90	9.30	9.50	11.80	14.30	2.50
7.00	250-500	5.80	5.70	9.40	9.60	11.90	14.40	2.50
7.50	300-500	6.25	6.15	10.00	10.20	13.00	16.00	3.00
8.00	300-500	6.70	6.50	10.80	11.00	13.80	16.80	3.00
8.40	300-500	7.10	6.90	11.20	11.40	14.20	17.20	3.00
8.50	300-500	7.15	7.00	11.30	11.50	14.30	17.30	3.00
9.00	400-800	7.60	7.40	12.00	12.20	15.00	18.00	3.00
9.50	400-800	8.05	7.85	12.60	12.80	16.10	19.60	3.50
10.00	≥ 400	8.45	8.25	13.50	13.70	19.00	22.50	3.50
10.50	≥ 400	9.00	8.80	14.10	14.30			
11.00	≥ 400	9.50	9.30	14.75	14.95			
11.50	≥ 400	10.00	9.80	15.45	15.65			
12.00	≥ 500	10.50	10.30	16.05	16.25			
12.50	≥ 500	10.95	10.75	16.60	16.80			
13.00	≥ 500	11.45	11.25	17.30	17.50			
13.50	≥ 500	11.95	11.75	17.90	18.10			
14.00	≥ 500	12.45	12.25	18.60	18.80			
14.50	≥ 500	12.95	12.75	19.25	19.45			
15.00	≥ 500	13.35	13.15	19.90	20.10			

DETAILS

It is most important to choose the correct O-Ring dimensions to have an improved performance of the seals.

O-Rings sealing on outer diameter (Fig. 5) are expected to expand while seated on the Piston/Rod Groove to enable a tight fit generally 3 to 5% less than the actual groove dia.

Similarly, the O-Ring sealing on the inner dia is expected to have an interference fit with the nominal housing generally 2% to 4% higher on the outer dia. The O-Ring must always be seated in the end of the pressure side in the groove.

Similarly for face sealing O-Rings (Fig. 7), the outer diameter is required to have an interference fit with the outer dia. D1 in Fig. 6, or the same dia. as D1 when pressurised internally.

LEAD-IN-CHAMFER

O-Rings are squeezed during installation, lead-in chamfers and rounded edges must be provided, this will help to eliminate possible sources of damage and seal failure. (Fig. 8 & 9)

Specification for O-Rings according to following standards

- 1) IS:9975 (Part 1) : Dimensions
- 2) IS:9975 (Part 2) : Material Selection & Quality acceptance criteria.
- 3) IS:9975 (Part 3) : Housing dimensions , tolerances and design criteria for standard application.

Table 2: Lead-in-chamfers.

All dimensions in mm

O-Ring cross section (c/s)	Lead 'Z' min.
1.78	1.10
2.62	1.50
3.53	1.80
5.33	2.70
6.99	3.60



The length of lead-in chamfer (z) as shown in Table 2 is provided in a cylinder bore of piston housing and piston rod of piston rod housing.

EXTRUSION GAP

The process by which the seal material is forced into the clearances between components is called gap extrusion and the size of this clearance gap is called the extrusion gap. If the gap is too large, there is a risk of seal extrusion which can result in the destruction of the O-Ring (Fig. 10). Extrusion of O-Rings may also be prevented by using anti-extrusion (back-up) ring. These are thin rings of harder material fitted into the gland between the seal and the extrusion gaps, which essentially provide zero. Below table shows the permissible extrusion:

Table: 3 PERMISSIBLE EXTRUSION GAP

Table: 3 Permissible extrusion gap given in the table is valid for temperatures up to 70°C. For silicone materials, the values for the gap sizes are to be halved.

Type of Sealing	Pressure (Bar)	Hardness (Shore A) in mm		
		70	80	90
Dynamic	≤ 30	0.20	0.25	0.30
	30 – 63	0.10	0.15	0.20
	63 – 80		0.10	0.15
	80 – 100			0.10
Static	≤ 63	0.20	0.25	0.30
	63 – 100	0.10	0.20	0.25
	100 – 160	0.05	0.10	0.20
	160 – 250		0.05	0.10
	250 – 350			0.05

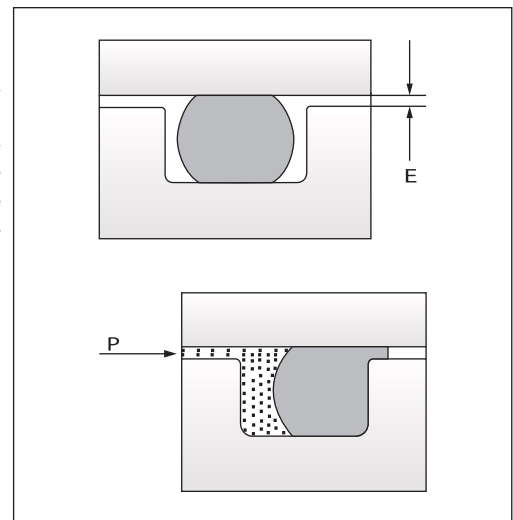
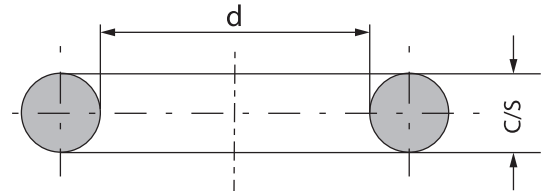


Fig. 10 : Extrusion Gap

Table 3: INSIDE DIAMETER, CROSS-SECTION, AND TOLERANCES IS : 9975

d (Inner ϕ)	Tol. \pm
1.80 - 2.79	0.13
2.80 - 4.86	0.14
4.87 - 6.69	0.15
6.70 - 8.75	0.16
8.76 - 10.59	0.17
10.60 - 11.79	0.18
11.80 - 14.99	0.19
15.00 - 16.99	0.20
17.00 - 18.99	0.21
19.00 - 21.19	0.22
21.20 - 22.39	0.23
22.40 - 24.99	0.24
25.00 - 25.79	0.25
28.00 - 29.99	0.26
30.00 - 31.49	0.28
31.50 - 32.49	0.29
32.50 - 34.49	0.31
34.50 - 35.49	0.33
35.50 - 36.49	0.34
36.50 - 37.49	0.35
37.50 - 38.69	0.36
38.70 - 39.99	0.37
40.00 - 41.19	0.38
41.20 - 42.49	0.39
42.50 - 43.69	0.40
43.70 - 44.99	0.41
45.00 - 46.19	0.42
46.20 - 47.49	0.43
47.50 - 48.69	0.44
48.70 - 49.99	0.45
50.00 - 51.49	0.46
51.50 - 52.99	0.47
53.00 - 54.49	0.48
54.50 - 55.99	0.50
56.00 - 57.99	0.51
58.00 - 59.99	0.52
60.00 - 61.49	0.54
61.50 - 62.99	0.55
63.00 - 64.99	0.56
65.00 - 66.99	0.58
67.00 - 68.99	0.59
69.00 - 70.99	0.61
71.00 - 72.99	0.63
73.00 - 74.99	0.64
75.00 - 77.49	0.66
77.50 - 79.99	0.67
80.00 - 82.49	0.69
82.50 - 84.99	0.71
85.00 - 87.49	0.73
87.50 - 89.99	0.75
90.00 - 92.49	0.77
92.50 - 94.99	0.79
95.00 - 97.49	0.81
97.50 - 99.99	0.83
100.00 - 102.90	0.84
103.00 - 105.90	0.87
106.00 - 108.90	0.89
109.00 - 111.90	0.91
112.00 - 114.90	0.93
115.00 - 117.90	0.95
118.00 - 121.90	0.97
122.00 - 124.90	1.00
125.00 - 127.90	1.03
128.00 - 131.90	1.05
132.00 - 135.90	1.08

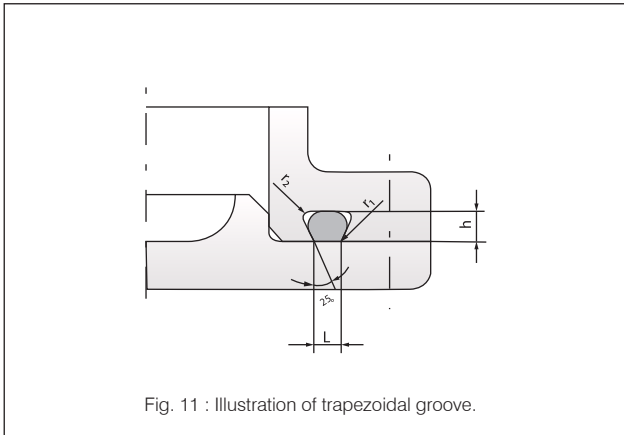
d (Inner ϕ)	Tol. \pm
136.00 - 139.90	1.10
140.00 - 144.90	1.13
145.00 - 149.90	1.17
150.00 - 154.90	1.20
155.00 - 159.90	1.24
160.00 - 164.90	1.27
165.00 - 169.90	1.31
170.00 - 174.90	1.34
175.00 - 179.90	1.38
180.00 - 184.90	1.41
185.00 - 189.90	1.44
190.00 - 194.90	1.48
195.00 - 199.90	1.51
200.00 - 205.90	1.55
206.00 - 211.90	1.59
212.00 - 217.90	1.63
218.00 - 223.90	1.67
224.00 - 229.90	1.71
230.00 - 235.90	1.75
236.00 - 242.90	1.79
243.00 - 249.90	1.83
250.00 - 257.90	1.88
258.00 - 264.90	1.93
265.00 - 271.90	1.98
272.00 - 279.90	2.02
280.00 - 289.90	2.08
290.00 - 299.90	2.14
300.00 - 306.90	2.21
307.00 - 314.90	2.25
315.00 - 324.90	2.30
325.00 - 334.90	2.37
335.00 - 344.90	2.43
345.00 - 354.90	2.49
355.00 - 364.90	2.56
365.00 - 374.90	2.62
375.00 - 386.90	2.68
387.00 - 399.90	2.76
400.00 - 411.90	2.84
412.00 - 424.90	2.91
425.00 - 436.90	2.99
437.00 - 449.90	3.07
450.00 - 461.90	3.15
462.00 - 474.90	3.22
475.00 - 486.90	3.30
487.00 - 499.90	3.37
500.00 - 514.90	3.45
515.00 - 529.90	3.54
530.00 - 544.90	3.63
545.00 - 559.90	3.72
560.00 - 579.90	3.81
580.00 - 599.90	3.93
600.00 - 614.90	4.05
615.00 - 629.90	4.13
630.00 - 649.90	4.22
650.00 - 669.90	4.34
670.00 - 689.90	4.46
≥ 690	0.65%



Cross Section (mm) upto	Tolerance (mm)
1.80	± 0.08
2.65	± 0.09
3.55	± 0.10
5.30	± 0.13
7.00	± 0.15
8.00	± 0.18
10.00	± 0.21
12.00	± 0.25

TRAPEZOIDAL O-RING GROOVE

The trapezoidal (dovetail) groove should only be used in special cases, e.g. overhead installation, to keep the O-Ring (Fig. 11). It is often necessary to provide some mechanical means for holding an O-ring in a face seal groove during assembly and maintenance of equipment. Although this method has been used successfully, it is not generally recommended. The installation dimensions are summarised in Table 4. Groove processing here is costly and time-consuming, therefore recommend its use only with a cross-section from 3.53 mm.



TRIANGULAR O-RING GROOVE

This type of crush seal is used where cost and ease of machining are important. In this type of installation space, the O-Ring has contact on three sides. However, the defined O-ring contact pressure is not guaranteed. A O-Ring is confined in a triangular recess made by machining a 45-degree angle on the male cover and offers little space for any swelling of the O-Ring. Pressures are limited only by clearances and the strength of the mating parts. The O-Rings are permanently deformed.

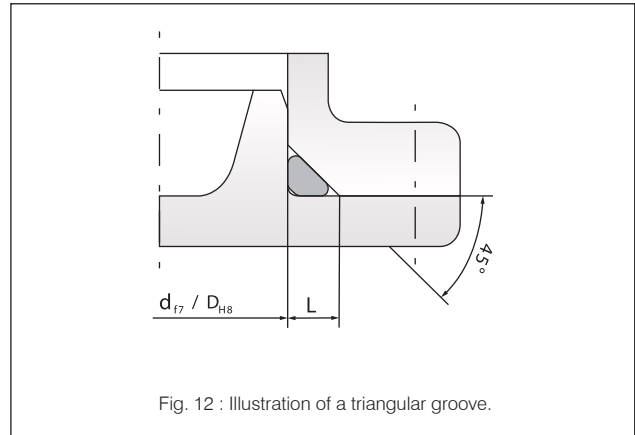


Table 4: Installation dimensions for a trapezoidal groove – Metric

O-Ring cross section	Groove dimensions			
	Groove width L ±0.05	Groove depth h ±0.05	Radius (max.)	
			r1	r2
3.53	3.20	2.90	0.25	0.80
4.00	3.70	3.20	0.25	0.80
5.00	4.60	4.20	0.25	0.80
5.33	4.90	4.60	0.25	0.80
5.70	5.25	4.80	0.40	0.80
6.00	5.55	5.10	0.40	0.80
7.00	6.50	6.00	0.40	1.60
8.00	7.45	6.90	0.50	1.60
8.40	7.85	7.30	0.50	1.60

All dimensions in mm

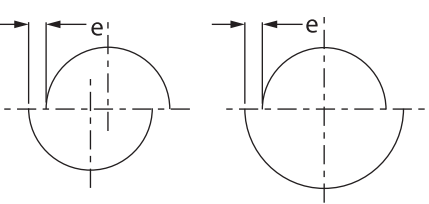
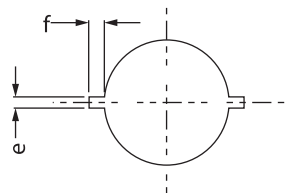
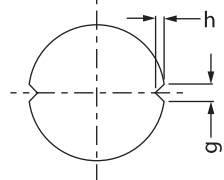
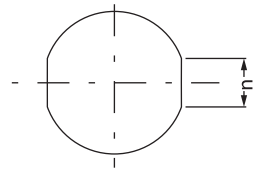
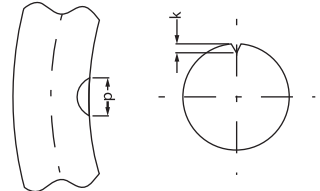
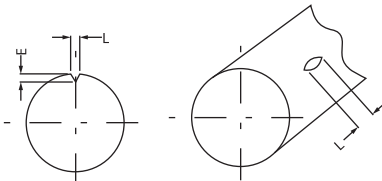
If this groove shape is unavoidable then the dimensions and tolerances in the following table should be adhered to. The O-Ring cross-section (c/s) should exceed 3 mm if at all possible.

Table 5: Installation dimensions of triangular groove

O-Ring cross section	Groove width L
3.00	4.00 + 0.20
3.53	4.70 + 0.20
4.00	5.40 + 0.20
5.00	6.70 + 0.25
5.33	7.10 + 0.25
6.00	8.00 + 0.30
7.00	9.40 + 0.30
8.00	10.80 + 0.30
8.40	11.30 + 0.30
10.00	13.60 + 0.35

All dimensions in mm

Table 6: MAXIMUM ACCEPTABLE LIMITS FOR THE SURFACE IMPRESSION ON O-RING AS PER IS: 9975 (Part 2)

Categories of Surface imperfections	Illustration (Schematic)	The dimension of Surface imperfections	Cross-section diameter (c/s)				
			1.80	2.65	3.55	5.30	7.00
Off-register and mismatch		<i>e</i>	0.08	0.10	0.13	0.15	0.15
Flash		<i>f</i>	0.08	0.10	0.13	0.15	0.16
Backrind / parting line indentation		Width <i>g</i>	0.13	0.27	0.36	0.53	0.70
		Depth <i>h</i>	0.08	0.08	0.10	0.10	0.13
Excessive Trimming		<i>n</i>	<i>n</i> is permitted as long as <i>c/s</i> is within the tolerance				
Flow Marks		Length <i>p</i> (Circumfer initial)	1.50 <i>Max</i>	(1.5 <i>Min</i>)	0.05x <i>c/s</i> (6.5 <i>Min</i>)	(6.5 <i>Min</i>)	(6.5 <i>Min</i>)
		Depth <i>k</i>			0.08		
No fill, air pockets, foreign materials, mould deposit indentations		Width <i>l</i>	0.80	0.80	1.00	1.30	1.70
		Depth <i>m</i>	0.07	0.08	0.10	0.10	0.10
The above maximum acceptable limits shall apply also to non-standard ranges of c/s		Greater than to	--	2.24	3.15	4.50	6.30
			2.24	3.15	4.50	6.30	8.00

ELASTOMERS

Material Name	Maxspare Code	Hardness Range	Service Temperature	Default Colour
---------------	---------------	----------------	---------------------	----------------

ACRYLONITRILE-BUTADIENE

Commonly known as NITRILE or BUNA-N. The acrylonitrile content of nitrile rubber varies from 18 to 50%, the polymers with high acrylonitrile content have better oil resistance whereas low acrylonitrile content exhibit better compression set and low-temperature flexibility. Nitrile has moderate physical properties but good abrasion resistance. Gas permeability is low and Ozone resistance and electrical properties are poor.

NBR	NT	40/45 to 90/95 Shore A	-30°C to +100°C	Black
NBR/Fabric	NF	40/45 to 90/95 Shore A	-20°C to +100°C	Black
NBR Food grade	NT-FG	60/65 to 85/90 Shore A	-30°C to +100°C	Green
NBR Low temperature	NT-LT	45/50 to 90/95 Shore A	-50°C to +100°C	Black
NBR High temperature	NT-HT	60/65 to 90/95 Shore A	-30°C to +120°C	Black
NBR peroxide cured	NT (PEROXIDE)	60/65 to 90/95 Shore A	-30°C to +120°C	Black
NBR+Teflon blend	NT-TF	80/85 Shore A	-30°C to +100°C	Black
NBR Kevlar Fabric	NKF	70/75 Shore A	-30°C to +100°C	Black
NBR (Machining)	CNT	87/90 Shore A	-30°C to +100°C	Black

HYDROGENATED NITRILE-BUTADIENE (HNBR / HSN)

The properties of HNBR depend upon the acrylonitrile content and the degree of hydrogenation of the butadiene copolymer. They have rather better oil and chemical resistance than Nitrile Rubber and can withstand much higher temperatures. It has excellent resistance to sour oil and gas, steam, hot water, and ozone. Physical properties (e.g. tensile and tear strength, elongation, abrasion resistance, compression set, etc.) are also excellent and compounds exhibit good dynamic behavior at elevated temperatures. Limitations include poor electrical properties, poor flame resistance, and attack by aromatic oils and polar organic solvents.

HNBR	HN	60/65 to 90/95 Shore A	-30°C to +150°C	Black
HNBR/Fabric	HF	60/65 to 70/75 Shore A	-30°C to +130°C	Black
HNBR Food grade	HN-FG	70/75 to 80/85 Shore A	-30°C to +150°C	Green
HNBR Low temperature	HN-LT	60/65 to 85/90 Shore A	-45°C to +150°C	Black

CARBOXYLATED NITRILE-BUTADIENE (XNBR)

XNBR compounds are like NBR but stronger, enhanced tear, and improved abrasion behaviour in applications subjected to stress..

XNBR	XN	60/65 to 90/95 Shore A	-30°C to +100°C	Black
------	----	------------------------	-----------------	-------

Material Name	Maxspare Code	Hardness Range	Service Temperature	Default Colour
---------------	---------------	----------------	---------------------	----------------

POLYCHLOROPRENE RUBBER (CR)

Chloroprene Rubber (CR), widely known as Neoprene®, was one of the first oil resistant synthetic rubber. It is a good general-purpose rubber with an excellent balance of physical and chemical properties. However, it has only moderate resistance to petroleum-based oils and fuels. It has better chemical, oil, ozone, and heat resistance than natural rubber. Gives excellent rubber-metal bonds and good resilience.

Neoprene®	NP	40/45 to 90/95 Shore A	-40°C to +120°C	Black
Neoprene®/Fabric	NPF	40/45 to 90/95 Shore A	-20°C to +100°C	Black

NATURAL RUBBER ((NR)

Natural rubber is the only non-synthetic rubber with excellent tensile strength, elongation, and abrasion resistance. With its good tear strength, fatigue resistance and excellent compression set it is the ideal choice for dynamic applications at low and ambient temperatures.

Natural Rubber	NR	40/45 to 90/95 Shore A	-40°C to +80°C	Black
----------------	----	------------------------	----------------	-------

POLYACRYLIC RUBBER (ACM)

Polyacrylic (ACM) has good resistance to hot hydraulic oil, oxidation, and ozone. The water resistance is poor, as is its resistance to acids and alkalis. Low-temperature applications are limited to -10°C.

ACM	PC	70/75 to 80/85 Shore A	-10°C to +170°C	Black
-----	----	------------------------	-----------------	-------

BUTYL RUBBER (IIR)

Butyl rubber is also known as Isobutylene-isoprene (IIR). It has exceptionally low gas permeability making it ideal for inner tubes and high pressure/vacuum sealing applications. Its chemical unsaturation gives it excellent resistance to heat, ozone, and weathering. Very low resilience makes it suitable for shock and vibration damping and is not suitable for use in mineral or petroleum-based fluids.

Butyl Rubber	BU	60/65 to 80/85 Shore A	-40°C to +120°C	Black
Butyl Rubber with 1 or 2 ply fabric	BU+PLY FABRIC	60/65 to 80/85 Shore A	-40°C to +100°C	Black

ETHYLENE PROPYLENE DIENE RUBBER (EPDM)

EPDM is a copolymer of ethylene and propylene and a smaller amount of a diene monomer. It has excellent heat, ozone, and chemical resistance. Low-temperature resistance is excellent and also gives excellent electrical resistance. EPDM is not suitable for exposure to petroleum-based fluids and di-ester lubricants. (EPDM seals are peroxide cured and sulfur curing is used for EPDM cords)

EPDM	EP	50/55 to 90/95 Shore A	-40°C to +120°C	Black
EPDM Food Grade	EP-FG	60/65 to 80/85 Shore A	-40°C to +100°C	Green

Material Name	Maxspare Code	Hardness Range	Service Temperature	Default Colour
---------------	---------------	----------------	---------------------	----------------

SILICON RUBBER (VMQ) VINYL-METHYL-POLYSILOXANE

Silicone Rubbers are ideal for high and low-temperature applications. It is characterized by high thermal resistance, good cold flexibility, good dielectric properties, very good resistance to oxygen, and ozone attack. The main advantage is that it retains flexibility at very low temperatures and can withstand continuous heating without hardening, making it suitable for low and high-temperature applications. SILICON compounds have poor strength and tear resistance. Their resistance to oils and fuels is poor, concentrated acids and alkalis, water and steam at temperatures over 100°C will destroy the material.

Silicon	SL	30/35 to 80/85 Shore A	-60°C to +200°C	Red
Silicon Food grade	SL-FG	50/55 to 80/85 Shore A	-60°C to +200°C	Green
Silicon Low temperature	SL-LT	70/75 Shore A	-70°C to +200°C	Red

FLUROSILICON RUBBER (FVMQ)

Fluorosilicones (FVMQ) can operate over a very wide range of temperatures. It has excellent resistance to di-ester lubricants, ozone, and weathering. They have good electrical strength and moderate oil resistance.

Flurosilicon	FSL	60/65 to 80/85 Shore A	-70°C to +220°C	Blue
--------------	-----	------------------------	-----------------	------

STYRENE-BUTADIENE RUBBER (SBR)

Styrene-Butadiene rubber is a widely-used general-purpose rubber with an extensive range of applications. Key benefits of SBR are abrasion resistance, Perfect impact strength, Good resilience, and High tensile strength. Its physical strength, resilience, and low-temperature properties are usually inferior to Natural Rubber. SBR is not resistant to oil or fuel resistant and it can be prone to weathering.

SBR	SB	-30°C to +100°C	-10°C to +170°C	Black
-----	----	-----------------	-----------------	-------

POLYBUTADIENE BLEND RUBBER (PBR)

Polybutadiene rubber (PBR) is polymerized butadiene. It is very similar to natural rubber, polyisoprene. It is good for uses which require exposure to low temperatures. It is used in blends with other rubber types for improved elasticity, wear resistance, and low-temperature properties.

PBR	PBR70	70/75 Shore A	-50°C to +80°C	Black
-----	-------	---------------	----------------	-------

Material Name	Maxspare Code	Hardness Range	Service Temperature	Default Colour
---------------	---------------	----------------	---------------------	----------------

FLUROELASTOMER (FKM) Viton®

Fluoroelastomers or Fluorocarbons are commonly known as Viton®. The main characteristics of FKM are resistant to high temperatures and chemical stability. They also display minimal weight loss in high vacuum and its permeability to gases is low. It is compatible with fire-resistant Hydraulic fluids, hot oils, greases, hydrocarbon, chlorinated hydrocarbons most organic acids, even at high concentrations and several organic compounds. It has excellent resistance to hot water and steam. FKM, however, is not resistant to methanol, ketones, esters, and ethers.

Viton®/ FKM	VT	55/60 to 90/95 Shore A	-30°C to +220°C	Brown
Viton®/Fabric	VF	70/75 to 90/95 Shore A	-20°C to +150°C	Brown
Viton® Food grade	VT-FG	55/60 to 90/95 Shore A	-30°C to +220°C	Green
Viton® Low temperature	VT-GLT	55/60 to 90/95 Shore A	-40°C to +220°C	Black
Viton® GF	VT-GF	65/70 to 80/85 Shore A	-20°C to +210°C	Black
Viton® Anti Explosive Decompression	VT-AED	70/75 to 90/95 Shore A	-20°C to +210°C	Black
Viton® Extreme	VT70-Extreme	70/75 Shore A	-20°C to +220°C	Black
Viton®Excellent Low Temperature	VT-XLT	70/75 & 85/90 Shore A	-50°C to +220°C	Black
Viton®Electric resistant	VT-ER	90/95 Shore A	-20°C to +210°C	Black
Viton®Kevlar	VT-KEVLAR	80/85 Shore A	-20°C to +210°C	Black

PERFLUROELASTOMER (FFKM)

Perfluoroelastomers (FFKM) are fully-fluorinated fluorocarbon polymers which have elastomeric characteristics. They fill an important niche for applications involving aggressive chemicals at temperatures up to 320°C. They are extremely expensive and have poor physical properties and limited use at low temperatures. They are the most chemically resistant elastomers that are on the market and have outstanding high temperature and chemical resistance and also have an excellent stem, ozone, and weathering resistance. An important disadvantage is poor low-temperature properties.

FFKM	FF	70/75 & 85/90 Shore A	-10°C to +300°C	Black
FFKM	FF	70/75 & 85/90 Shore A	-10°C to +300°C	Black

TETRAFLUROETHYLENE / PROPYLENE (FEPM, TFE/P, AFLAS®)

AFLAS® (TFE/P, FEPM) is known for its use in oil field applications and its electrical resistance properties. This elastomer is a copolymer of tetrafluoroethylene (TFE) and propylene. Its chemical resistance is excellent across a wide range of aggressive media. It has excellent heat resistance with continuous service temperature capability of 230°C, high electrical resistivity, and excellent oil resistance and is not compatible with aromatic fuels, ketones, and acetone.

AFLAS®	AF	70/75 to 85/90 Shore A	-10°C to +220°C	Black
--------	----	------------------------	-----------------	-------

THERMOPLASTICS & THERMOSETS

Material Name	Maxspare Code	Hardness Range	Service Temperature	Default Colour
---------------	---------------	----------------	---------------------	----------------

POLYURETHANE (PU)

The polyurethane material has extremely good mechanical properties such as high tensile strength, abrasion resistance, tear strength, extrusion strength, and above all, good flexibility. PU has good resistance to swelling in mineral oils and greases, water, oil mixtures, and aliphatic hydrocarbons. PU is not resistant to polar solvents, chlorinated hydrocarbons, aromatics, brake fluids, acids, and alkalis.

PU General purpose & Food grade	PU-70	40/45 to 90/95 Shore A	-40°C to +80°C	Blue
PU General purpose	PU-80 & PU-85	60/65 to 85/90 Shore A	-40°C to +80°C	Blue
PU General purpose & Food grade	PU-90 & PU-95	45/50 to 90/95 Shore A	-40°C to +100°C	Blue
PU GG25	PU-98	60/65 to 90/95 Shore A	-30°C to +100°C	Red/Blue
PU (General Purpose & Food grade)	PU-65D & PU-70D	80/85 Shore A	-30°C to +150°C	White/Red
PU (High oil resistance Poly caprolactone ester-based)	PU-X	87/90 Shore A	-40°C to +150°C	Red/Orange / Blue / Yellow
PU (Hydrolysis/Water-based for pneu.application)	PU-W90	60/65 to 90/95 Shore A	-40°C to +130°C	Green/Blue / Red
PU (Hydrolysis/Water-based for pneu.application)	PU-W95	60/65 to 90/95 Shore A	-40°C to +130°C	Blue/Green / Red
Cast PU (Oil resistant)	CPU-O	60/65 to 90/95 Shore A	-30°C to +100°C	Red
Cast PU (Hydrolysis Resistant)	CPU-W	60/65 to 90/95 Shore A	-30°C to +100°C	Red

POLYPROPYLENE (PP)

PP is one of the lightest polymers among all commodity plastics. This feature makes it a suitable option for lightweight/weight saving applications. It has excellent resistance to dilute and concentrated acids, alcohols and bases, and good resistance to aldehydes, esters, aliphatic hydrocarbons, ketones but limited resistance to aromatic and halogenated hydrocarbons and oxidizing agents. Polypropylene is a highly flammable material and it retains mechanical & electrical properties at elevated temperatures in humid conditions. PP has good resistance to environmental stress cracking.

PP	PP	80 M	-20°C to +95°C	Black/Off white
----	----	------	----------------	-----------------

Material Name	Maxspare Code	Hardness Range	Service Temperature	Default Colour
---------------	---------------	----------------	---------------------	----------------

POLYETHYLENE (PE)

Polyethylene is a lightweight and durable thermoplastic and is one of the most widely produced plastics. Polyethylene is used in applications ranging for films, tubes, plastic parts, laminates, etc. in several markets (packaging, automotive, electrical, etc.). The most common types of polyethylene are

Low-density polyethylene (LDPE) – Features are flexible and good transparency, good moisture barrier properties, high impact strength at low temperature, excellent resistance to acids, bases, and vegetable oils.

Linear low-density polyethylene (LLDPE) - As compared to LDPE, it has higher tensile strength and higher impact and puncture resistance.

High-density polyethylene (HDPE) - Excellent Chemical Resistance, high tensile strength, excellent moisture barrier properties, hard to semi-flexible.

Ultra-high-molecular-weight polyethylene (UHMWPE) - It has excellent mechanical properties such as high abrasion resistance, impact strength, and low coefficient of friction. Even at high temperatures, it is resistant to several solvents, except aromatic, halogenated hydrocarbons, and strong oxidizing materials, such as nitric acid. UHMWPE is suitable for high wear applications.

LDPE	LDPE	80 M	-70°C to +90°C	Black/Off white
LLDPE	LLDPE	65 M	-70°C to +100°C	Black/Off white
HDPE	HDPE	80 M	-70°C to +110°C	Black/Off white
UHMWPE	UHMW	65 D	-250°C to + 80°C	Black/Off white

POLYACETAL (POLYALDEHYDE / POM)

Polyoxymethylene (POM), commonly known as acetal. It is a highly crystalline thermoplastic that is known for its high flexural and tensile strength, stiffness, hardness, and low creep under stress. It also has a low coefficient of friction, excellent chemical resistance, and outstanding fatigue properties, but only moderate heat stability and insufficient flame resistance. POM is available under the trade names Delrin®, Duracon®, etc. Glass-reinforced grades of polyacetal are also available.

Acetal	ACT-1	94 M	-40°C to +140°C	White
25% Glass-filled Acetal	ACT-2	96 M	-40°C to +160°C	White
15% Glass-filled Acetal	ACT-3	95 M	-40°C to +160°C	White
Cast Acetal	CAL	94 M	-40°C to +140°C	White

POLYAMIDE (PA)

PA material, polyamide, or commonly called Nylon is a semi-crystalline thermoplastic with low density and high thermal stability. Polyamide plastic offers: High wear resistance, High thermal stability, Very good strength and hardness, High mechanical damping characteristics, Good sliding properties, and Good chemical resistance. The most common polyamide plastics are Nylon 6, cast PA 6 and Nylon 66 (PA66).

Nylon PA6	NY-1	80 M	-30°C to +100°C	Black/ White
Cast Nylon PA6	CNY	85 M	-30°C to +100°C	Black/ White
Cast Nylon PA6	NY2(A)	79 M	-40°C to +140°C	Black/ White
Nylon PA66 + 33% Glass filled	NY2(B)	95 M	-40°C to +150°C	Black/ White
Nylon PA66 + 13% Glass filled	NY2(C)	95 M	-40°C to +150°C	Black/ White

Material Name	Maxspare Code	Hardness Range	Service Temperature	Default Colour
---------------	---------------	----------------	---------------------	----------------

POLYPHENYLENE SULFIDE (PPS)

PPS material (chemically known as polyphenylene sulfide) is a semi-crystalline, high-temperature engineering thermoplastic. Due to its structure, PPS is a very chemically resistant polymer with very good mechanical strength, even at temperatures above 200°C. In addition to its low water absorption, PPS polymer also has good dimensional stability and excellent electrical properties.

PPS 40% Glass filled	PPS	100 M	Up to +300°C	White
----------------------	-----	-------	--------------	-------

THERMOPLASTIC ELASTOMER (TPE / Hytrel®)

Thermoplastic elastomer combines many of the most desirable characteristics of high-performance elastomers and flexible plastics. It features exceptional toughness and resilience; high resistance to creep, impact, and flex fatigue; flexibility at low temperatures; and good retention of properties at elevated temperatures. Besides, it resists deterioration from many industrial chemicals, oils, and solvents. DuPont™ trade name is Hytrel®

Hytrel® TPE 6356 Dupont	NY-1	80 M	-30°C to +100°C	Black/ White
Hytrel® Arnitel EM400 / Dupont 4069	CNY	85 M	-30°C to +100°C	Black/ White
Hytrel® Arnitel PL461	NY2(B)	95 M	-40°C to +150°C	Black/ White
Hytrel® Arnitel PL461	NY2(B)	95 M	-40°C to +150°C	Black/ White
Hytrel® TPE 7246 Dupont	NY2(C)	95 M	-40°C to +150°C	Black/ White

POLYETHERETHERKETONE (PEEK)

PEEK is a unique semi-crystalline high-performance plastic material with an excellent balance of physical properties. It has one of the highest levels of heat resistance and mechanical strength available among plastics. It is also one of the best choices when looking for good chemical resistance, as well as radiation resistance, also, and very good dimensional stability.

PEEK	PEEK	99M	Up to +280°C	Beige
70% PEEK, 10% PTFE, 10% CARBON FIBRE, 10% GRAPHITE	PEEK-AF803	86D	Up to +280°C	Black

POLYTETRAFLUROETHYLENE (PTFE / Teflon®)

VIRGIN PTFE material (chemically known as Polytetrafluoroethylene, colloquially referred to as Teflon®) is one of the most chemically inert materials known and is used in many different applications and industries. PTFE is an incredibly versatile material with a wide variety of applications. It has extreme chemical resistance, a massive temperature range is completely unaffected by UV, excellent electrical insulation properties. Flexible, low friction, inert.

VirgingTeflon	PTFE	60±5 Shore D	-250°C to +250°C	White
RULON J Gold	PFT-PF	60 Shore D	-200°C to +250°C	Dull Gold

Material Name	Maxspare Code	Hardness Range	Service Temperature	Default Colour
---------------	---------------	----------------	---------------------	----------------

BRONZE FILLED TEFLON (BFT)

Bronze Filled PTFE is reinforced with bronze powder with the percentage varying between 40% and 60%, resulting in a very hard-wearing material. The advantages of BFT are very heavy due to high specific gravity, electrically conductive, good wear-resistant properties, great deformation strengths, and good thermal conductivity. It has weaker chemical resistance than other grades of PTFE and is not suitable for electrical applications.

40% Bronze filled PTFE	BRT-40	65±3 Shore D	-200°C to +260°C	Brown
40% Bronze + 5% MOS2 filled PTFE	MBRT-40	65±3 Shore D	-200°C to +260°C	Brown
60% Bronze filled PTFE	BRT-60	70±3 Shore D	-200°C to +260°C	Brown
60% Bronze + 5% MOS2 filled PTFE	MBRT-60	70±3 Shore D	-200°C to +260°C	Brown

GLASS FILLED PTFE (GLT)

The properties of this material are high compressive strength, Improved wear resistance under load & permanent deformation, better thermal / electrical conductivity etc and are mainly used in valve components.

15% Glass-filled PTFE	GLT-15	60±3 Shore D	-200°C to +260°C	Black
15% Glass + 5% MOS2 filled PTFE	MGLT-20	60±3 Shore D	-200°C to +260°C	Black
25% Glass-filled PTFE	GLT-25	60±3 Shore D	-200°C to +260°C	Black
8% Glass + 3% MOS2 filled PTFE	MGLT-11	60±3 Shore D	-200°C to +260°C	Black

CARBON+GRAPHITE FILLED PTFE (CGRT)

The properties of this material are high compressive strength, Improved wear resistance under load & permanent deformation, better thermal / electrical conductivity etc and are mainly used in valve components.

23% Carbon + 2% Graphite filled PTFE	CGRT-25	63±3 Shore D	-200°C to +260°C	Beige
4% Carbon + 7% Graphite filled PTFE	CGRT-11	63±3 Shore D	-200°C to +260°C	Black

Material Name	Maxspare Code	Hardness Range	Service Temperature	Default Colour
---------------	---------------	----------------	---------------------	----------------

GRAPHITE FILLED PTFE (GRT)

Graphite filled PTFE provides some similar benefits to normal carbon filled PTFE but without the greatly improved wear resistance. Graphite lowers the coefficient of friction and has excellent self lubricating properties. It can be combined with either carbon or glass or even both to reap the combined benefits of all three fillers.

15% Graphite filled PTFE	GRT-15	65±3 Shore D	-200°C to +260°C	Black
15% Graphite + 5% MOS2 filled PTFE	MGRT-20	65±3 Shore D	-200°C to +260°C	Black
25% Graphite filled PTFE	GRT-25	70±3 Shore D	-200°C to +260°C	Black

CARBON FILLED PTFE (CAT)

Carbon filled PTFE benefits from improved compressive strength, reduced deformation under heavy loads, and better wear resistance than virgin PTFE. Because carbon is conductive, it is suitable for applications which require higher thermal conductivity than PTFE alone and also becomes static dissipative due to its electrical conductivity. Carbon may be added in the form of powder or fibre. It can be abrasive, but not to the same extent as glass.

15% Carbon Filled PTFE- Carbon filled PTFE has excellent compressive strength, wear, and chemical resistance. It provides good thermal conductivity and low permeability. Ideal material for dynamic sealing applications.

25% Carbon Filled PTFE- The addition of Carbon Fibre to PTFE increases the compressive strength and wear resistance. It provides good thermal conductivity and low permeability. Commonly used in sealing applications.

15% Carbon filled PTFE	CAT-15	60±3 Shore D	-200°C to +260°C	Black
25% Carbon filled PTFE	CAT-25	60±3 Shore D	-200°C to +260°C	Black

PHENOLIC RESIN FABRIC (CPF)

Phenolic Fabrics are made with various weights of woven cotton fabric, impregnated with specifically formulated phenolic resins, bonded together under heat and pressure to produce a thermoset composite. These industrial laminates are a popular alternative to acrylic, because of its high resistance to flexing. The base material and resin combination used is dependent upon the intended application of the finished product. Physical strength, resiliency, ease and versatility of fabrication, and excellent electrical properties make phenolics useful as support components in a wide range of mechanical and electrical applications. (Available only up to 220 mm diameter)

Phenolic Resin Fabric	CPF	89M	-20°C to +120°C	Brown
-----------------------	-----	-----	-----------------	-------

POLYSTER RESIN FABRIC (PRW)

The main features of PRW are high compressive strength, internally lubricated, offers high bearing load capacity, and are compatible with wide range of fluids including water based fluids and phosphate esters. (Available from diameter 70 mm or in strip form)

Polyster Resin Fabric	PRW	HRM100	-30°C to +120°C	Turquoise
-----------------------	-----	--------	-----------------	-----------

Material Name	Maxspare Code	Hardness Range	Service Temperature	Default Colour
---------------	---------------	----------------	---------------------	----------------

FOOD COMPLIANT MATERIAL

Sealing material plays an important role in food, beverages & pharma industries application. As seals may come into contact with products that are intended for human consumption. Therefore, sealing material ingredients and process should be comply with the FDA regulations and more

Maxspare had developed special compounds which are compliant with FDA and hadbeen approved and certified by an government testing laboratory

NBR	NT50 (FG) to NT85 (FG)	50 Shore 'A' to 90 Shore 'A'	177-2600.Cla.(F)	Green
FKM (Viton®)	VT55 (FG) to VT85 (FG)	55 Shore 'A' to 90 'A'	177-2600.Cla.(F)	Green
EPDM	EP50 (FG) to EP85 (FG)	50 Shore 'A' to 90 Shore 'A'	177-2600.Cla.(F)	Green
Silicon	SL60 (FG) to SL70 (FG)	60 Shore 'A' to 75 Shore 'A'	177-2600.Cla.(F)	Green
Polyurethane	PU 5 FG)	90 Shore 'A'	177-2600.Cla.(F)	Red
PTFE	PFT	65 D	–	White
UHMWPE	UHMW	65 D	–	White
Acetal	ACT	M 84	–	White

These are general guidelines given and recommended to users conduct their own functional tests to determine the suitability of any compound with their fluid media.

R = Recommended
 M = Marginal
 U = Unsatisfactory
 X = Insufficient Data

Fluid	NBR	SBR	EPDM	CR	ACM	PU	VMQ	FKM
Acetaldehyde	U	U	R	U	U	U	R	U
Acetamide	R	U	R	R	U	U	M	U
Acetic Acid	M	M	R	R	U	U	R	U
Acetone	U	M	R	M	U	U	M	U
Acetophenone	U	U	R	U	U	U	U	U
Acetylene	R	R	R	R	X	X	R	R
Ammonia	R	R	R	R	U	X	R	U
Ammonium Hydroxide	R	R	R	R	U	U	R	R
Amly Acetate	U	U	M	U	U	U	U	U
Anderol L-774	M	U	U	U	R	U	U	R
Antifreeze	R	R	R	R	U	U	R	R
Aniline	U	U	R	U	U	U	U	M
Ansul Ether	M	U	M	U	U	R	U	U
Aroclors	M	U	R	U	U	X	M	R
Askarel	R	U	U	U	U	U	U	R
ASTM #1	R	U	U	R	R	R	R	R
ASTM #3	R	U	U	U	R	R	U	R
ASTM Fuel A	R	U	U	R	R	R	U	R
ASTM Fuel B	R	U	U	U	U	R	U	R
ASTM Fuel C	R	U	U	U	U	R	U	R
ASTM Fuel D	M	U	U	U	U	R	U	R
Auto.Trans.Fluid	R	U	U	M	R	R	M	R
Beer	R	R	R	R	U	U	R	R
Benzaldehyde	U	U	R	U	U	U	U	U
Benzene	U	U	U	U	U	U	U	R
Benzine	R	U	U	R	R	R	U	R
Benzoic Acid	U	U	U	U	U	U	U	R
Benzophenone	U	U	R	X	U	U	U	R
Benzl Alcohol	U	U	U	R	U	U	X	R
Bleach	R	R	R	R	U	U	U	R
Borax	R	R	R	U	R	R	R	R
Boric Acid	R	R	R	R	U	R	R	R
(Non petroleum)								
Bromine	U	R	R	M	U	U	M	U
Bromobenzene	U	U	U	U	U	U	U	R
Bunker Oil	R	U	U	U	R	R	U	R
Butane	R	M	U	R	R	U	U	R
Butter	R	U	M	R	R	R	R	R
Butyl Acetate	U	U	U	U	U	U	U	U
Butyl Alcohol	R	R	R	R	U	U	R	R
Butyl Amine	M	U	U	U	U	U	R	U
Butyl Carbitol	U	U	R	M	U	X	U	M
Butyl Cellosolve	M	U	R	M	U	U	R	U

Fluid	NBR	SBR	EPDM	CR	ACM	PU	VMQ	FKM
Carbitol	R	R	R	R	U	U	R	R
Carbitol Acetate	U	U	U	U	U	U	U	R
Carbon Disulfide	U	U	U	U	U	X	U	R
Carbon Tetrachloride	R	U	U	U	U	U	U	R
Carbonic Acid	R	R	R	R	R	R	R	R
Castor Oil	R	R	R	R	R	R	R	R
Cellosolve	U	R	U	U	U	U	U	U
Chassis Grease	R	U	U	M	R	X	U	R
Chloracetic Acid	U	U	R	U	U	U	X	U
Chloracetone	U	U	R	M	X	X	U	R
Chlordane	R	U	U	M	X	X	U	R
Chlorine	U	U	R	U	U	U	X	R
Chlorobenzol	U	U	U	U	U	U	U	R
Chloroform	U	U	U	U	U	U	U	R
Chlorsulfonic Acid	U	U	U	U	U	U	U	U
Chrome Plating Solu.	U	U	R	U	U	U	R	R
Chromic Acid	U		X	U	X	X	M	R
Citric Acid	R	R	R	R	X	X	R	R
Cod Liver Oil	R	U	U	R	R	U	R	R
Coffee	R	R	R	R	U	U	R	R
Corn Oil	R	U	U	U	R	U	R	R
Creosote	R	U	U	R	R	M	U	R
Creoste oil	R	U	U	M	X	X	M	R
Creosylic Acid	U	U	U	U	U	U	U	R
Crude Oil	R	U	U	U	R	X	U	R
Cyclohexane	R	U	U	M	R	R	U	R
Cyclohexanol	R	U	U	R	X	X	U	R
Decalin	U	U	U	U	U	U	U	R
Denatured Alcohol	R	R	R	R	U	U	R	R
Diacetone	U	U	R	U	U	U	U	U
Dibutyl Amine	U	U	U	M	U	U	U	U
Dibutyl Phthalate	U	U	R	U	U	X	X	M
Dichlorp Aniline	U	U	U	U	U	U	U	M
Dichloro Butane	R	U	U	U	U	U	U	R
Diesel Oil	R	U	U	M	U	U	U	R
Diethylamine	R	R	R	R	U	M	R	U
Diethyl Benzene	M	U	U	U	X	X	X	H
Diethylene Glycol	R	R	R	R	U	U	R	R
Dimethyl Ether	U	U	U	M	M	R	U	U
Dimethyl Formamide	U	X	R	X	X	X	R	U
Dimethyl Phthalate	U	U	R	U	U	X	X	R
Dimethyl Terephthalate	U	U	U	U	U	U	U	R
Diocyl Phthalate	U	U	R	U	U	U	M	R

For more information regarding Chemical Compatibility with sealing materials please visit our website www.maxspare.com/technical-support/chemical-compatibility

These are general guidelines given and recommended to users conduct their own functional tests to determine the suitability of any compound with their fluid media.

R = Recommended
 M = Marginal
 U = Unsatisfactory
 X = Insufficient Data

Fluid	NBR	SBR	EPDM	CR	ACM	PU	VMQ	FKM
Diocetyl Phthalate	U	U	R	U	U	U	M	R
Dioxane	U	U	R	U	U	U	U	U
Diphenyl	U	U	U	U	U	U	U	R
Dow Corning 550	R	R	R	R	R	R	R	R
Dow Gard	R	R	R	R	M	M	R	R
Dowtherm A & E	U	U	U	U	U	U	U	R
Elco 28	R	U	U	M	R	R	R	R
Epoxy Resins	X	X	R	R	X	X	X	U
Ethane	R	U	U	R	R	M	U	R
Ethanol	R	R	R	R	U	R	R	R
Ethanolamine	R	R	R	R	U	R	R	R
Ethyl Acetate	U	U	R	U	U	U	R	U
Ethyl Benzene	U	U	U	U	U	U	U	R
Ethyl Cellulose	R	R	R	R	U	R	R	U
Ethyl Chloride	R	R	R	R	M	R	U	R
Ethyl Ether	M	U	M	U	U	R	U	U
Ethyl Formate	U	U	R	R	X	X	X	R
Ethyl Hexanol	M	R	R	R	X	X	X	R
Ethyl Merlaptan	U	U	X	M	X	X	M	R
Ethylene Chloride	U	U	U	U	U	U	U	R
Ethylene Oxide	U	U	R	U	U	U	U	U
Formaldehyde	M	M	R	M	U	U	R	U
Formic Acid	M	R	R	R	X	X	M	U
Freon 12	R	R	R	R	X	R	U	R
Fuel Oil	R	U	U	R	R	U	U	R
Furan	U	U	X	U	U	X	X	X
Furfural	U	U	R	U	U	X	U	U
Furfuryl Alcohol	U	U	R	U	U	U	U	X
Fyrquel	U	U	R	U	U	U	R	R
Gallic Acid	R	R	R	R	U	U	X	R
Gasoline	R	U	U	R	R	R	U	R
Gelatin	R	R	R	R	U	U	R	R
Glucose	R	R	R	R	X	U	R	R
Glycerine	R	R	R	R	U	U	R	R
Heptane	R	U	U	R	R	R	U	R
Hexaldehyde	U	U	R	R	X	X	R	U
Hexane	R	U	U	R	R	R	U	R
Hexanol	R	R	M	R	U	U	R	R
Home Heating Oil	R	U	U	M	R	R	R	R
Hydrazine	R	R	R	R	X	X	R	X
Hydrochloride Acid	R	M	R	R	M	U	U	R
Hydrocyanic Acid	R	R	R	R	U	X	M	R
Hydrogen Peroxide	R	R	R	R	U	X	R	R

Fluid	NBR	SBR	EPDM	CR	ACM	PU	VMQ	FKM
Hydrogen Sulfied	U	U	R	R	U	X	M	U
Hydroquinone	M	U	U	U	U	X	X	R
Hypoid Gear Lube	R	U	U	M	R	R	M	R
Iodine	R	R	R	U	X	X	X	R
Isocyanate	X	X	X	X	X	X	X	R
Iso Octane	R	U	U	R	R	R	U	R
Iso Phorone	U	U	R	U	U	U	U	U
Isocyanate	X	X	X	X	X	X	X	R
Isopar	R	R	R	R	U	U	R	R
Isopropanol	R	R	R	R	U	U	R	R
Isopropyl Acetate	U	U	R	U	U	U	U	U
JP-4 (MIL-J5624)	R	U	U	U	R	R	U	R
JP-4(MIL-5624)	R	U	U	U	R	R	U	R
Kerosene	R	U	U	R	R	R	U	R
Lacquers	U	U	U	U	U	U	U	U
Lactic Acid	R	R	R	R	U	X	X	R
Lard	R	U	R	R	R	R	R	R
Linoleic Acid	R	U	U	R	X	X	R	R
Linseed Oil	R	U	M	M	R	X	R	R
Lye Solutions	R	R	R	R	U	U	R	R
Malathion	R	U	U	X	X	X	U	R
Maleic Acid	U	U	U	U	U	X	X	R
Mercury	R	R	R	R	X	X	X	R
Meter-Cresol	U	U	U	R	U	U	U	R
Methacrylic Acid	U	U	R	R	U	U	U	M
Methane	R	U	U	R	R	M	U	R
Methanol	R	R	R	R	U	U	U	U
Methyl Acetate	U	U	R	R	U	U	U	U
Methyl Cellosolve	M	U	R	R	U	U	U	M
Methyl Ether Ketone	U	U	R	U	U	U	U	U
Methyl Mercaptan	X	X	R	X	X	X	X	X
Methylene Chloride	U	U	U	U	U	U	U	R
Milk	R	R	R	R	U	U	R	R
Mineral Oil	R	U	M	R	R	R	R	R
Mineral Spirits	R	U	U	U	R	R	U	R
Monovinyl Acetylene	R	R	R	R	X	X	R	R
Mustard	X	R	R	X	X	X	R	R
Naphtha	R	U	U	U	R	R	U	R
Naphthalene	U	U	U	U	X	X	U	R
Naphthenic Acid	R	U	U	U	X	X	U	R
Natural Gas	R	R	U	R	R	R	R	R
Neatsfoot Oil	R	U	R	U	R	R	R	R
Nitric Acid	U	M	R	U	U	U	U	M

These are general guidelines given and recommended to users conduct their own functional tests to determine the suitability of any compound with their fluid media.

R = Recommended
 M = Marginal
 U = Unsatisfactory
 X = Insufficient Data

Fluid	NBR	SBR	EPDM	CR	ACM	PU	VMQ	FKM
Nitrobenzene	U	U	U	U	U	U	U	R
Nitropropane	U	U	R	U	U	U	U	U
Octane	R	U	U	U	U	U	U	R
Octanol	R	R	R	R	U	U	R	R
Oleic Acid	M	U	U	M	X	X	U	R
Oleum	R	U	U	M	X	X	U	R
Oronite 8200	R	U	U	R	X	R	U	R
Oxalic Acid	R	R	R	R	R	X	X	R
Pentane	R	M	U	R	R	U	U	R
Perchloroethylene	R	U	U	U	U	U	U	R
Petroleum Ether	U	U	U	U	U	U	U	R
Phenol	U	U	U	U	U	U	U	R
Phenylhydrazine	U	M	U	U	U	X	X	R
Phosphoric Acid	R	R	R	R	M	U	R	R
Pine Oil	R	U	U	U	U	X	X	R
Potassium Hydroxide	R	R	R	R	U	U	M	U
Propane	R	U	U	R	R	M	U	R
propanol	R	R	R	R	U	U	R	R
Propyl Acetate	U	U	R	U	U	U	U	U
Pydraul	U	U	R	U	U	U	U	R
Pyranol	R	U	U	R	R	R	U	R
Pyridine	U	R	U	U	U	X	U	U
Rapeseed Oil	R	U	R	R	R	R	U	R
Resurcinol	X	R	R	X	X	X	X	X
SAE 10W30	R	U	U	M	R	R	R	R
Seawater	R	R	R	R	U	U	R	X
Silicone Grease	R	R	R	R	R	R	R	R
Silver Nitrate	R	R	R	R	R	R	R	R
Skelly Solvent	R	U	U	U	X	X	X	R

Fluid	NBR	SBR	EPDM	CR	ACM	PU	VMQ	FKM
Skydrol	U	U	R	U	U	U	U	U
Skydrol 500	U	U	R	U	U	U	U	U
Sodium hydroxide	R	R	R	R	U	R	R	R
Sovasol	R	U	U	R	R	R	U	R
Soy Bean Oil	R	U	M	M	R	X	R	R
Stearic Acid	R	R	R	R	R	U	U	R
Stoddard Solvent	R	R	R	R	U	U	R	R
Sucrose	R	R	R	R	R	U	U	R
Sulphuric Acid	R	R	R	R	R	U	U	R
Tall Oil	R	U	U	M	R	U	X	R
Tannic Acid	R	R	R	R	U	X	R	R
Tar	R	U	U	M	U	X	R	R
Tartaric Acid	R	R	R	R	X	X	R	R
Tetrachloro Ethane	U	U	U	U	U	U	U	R
Tetralin	U	U	U	U	U	U	U	R
Tidewater	R	U	U	R	R	R	R	R
Toluene	U	U	U	U	U	U	U	R
Trichloro Ethylene	M	U	U	U	U	U	U	R
Triethanol Amine	M	R	R	R	U	U	X	U
Turbine Oil	R	U	U	U	R	R	U	R
Turpentine	R	U	U	U	R	U	U	R
UCDn 50HB280X	R	R	R	R	X	X	R	R
Univis J-43	R	U	U	R	R	R	U	R
Varnish	R	U	U	U	U	M	U	R
Vinegar	R	R	R	R	U	U	R	R
Water	R	R	R	R	U	U	R	R
Wheat Gern Oil	R	U	U	M	R	R	R	R
Whiskey & Wine	R	R	R	R	U	U	R	R
Wood Oil	R	U	U	R	X	M	U	R

Agressive Fluids

CIP (Cleaning in Place) and SIP (Sterlization in Place) are the general method for cleaning processing systems. This process ensures safety and toxic contamination of products and minimize recontamination of the process.

Sealing material should be compatible with the chemicals used in CIP & SIP process. Maxspare thus take care of this while selecting an appropriate sealing material.

Compatibility Chart

Chemical	Content	NBR	FKM	EPDM	SILICON	PU	PTFE
Chlorinated Alkalies	Caustic Soda (Mild)	R	M	M	U	R	+
Strong Alkalies	Caustic Soda (Strong)	R	M	M	U	R	+
Strong Acid	Nitric Acid	U	M	M	U	R	+
Sanitizer	Sodium Hypochlorite	X	M	M	X	R	+
Hot Water	-	R	M	R	R	R	+
Steam	-	U	U	R	X	U	+

CAUSES OF O-RING FAILURES & COUNTER MEASURES

- When leakage is observed, investigate the causes and implement proper countermeasures.
- To identify the causes, it is critical to observe the O-Ring closely and evaluate the failure in all respects, such as cylinder, piston and medium to be sealed.

D = Dynamic Sealing
S = Static Sealing

FAILURE	CONDITION		APPEARANCE SKETCH	MAJOR CAUSES	COUNTERMEASURES
Twist	Twisted & Deformed.	D		<ul style="list-style-type: none"> • Excessive speed. • Eccentric movements • Poor surface finish on sliding face. • Twisted installation. 	<ul style="list-style-type: none"> • Improve sliding surface finish. • Install with adequate lubricant.
Chipping	Partially chipped.	D		<ul style="list-style-type: none"> • Chipped by the bore edge, threads or sharp corner at installation. 	<ul style="list-style-type: none"> • Round all sharp edges. • Use an installation O-Ring hook.
Permanent Set	Deformed into the groove's shape.	D & S		<ul style="list-style-type: none"> • Exposure to repeated drastic temperature changes. • Improper adjustment of temperature, compression & fluid. 	<ul style="list-style-type: none"> • Study alternative rubber materials. • Study groove dimensions.
Abrasion around the circumference	Worn all round the circumference.	D		<ul style="list-style-type: none"> • Poor sliding surface finish. • Poor lubrication. • Entry of dust or other foreign materials. 	<ul style="list-style-type: none"> • Improve sliding surface finish. • Supply sufficient lubrication. • Clean thoroughly & use filter etc.
Partial Abrasion	Sliding surface is partially worn.	D & S		<ul style="list-style-type: none"> • There are damages on sliding surface. 	<ul style="list-style-type: none"> • Remove damages on sliding surface & improve surface finish.
Hardening	Hardened and cracked when bent.	S		<ul style="list-style-type: none"> • Operating temperature is higher than the rubber's heat resistance limit. 	<ul style="list-style-type: none"> • Study alternative rubber materials.
Swelling	Softened and swollen.	S		<ul style="list-style-type: none"> • Improper rubber material. • Cleaned with fuel oil or other incompatible fluid. 	<ul style="list-style-type: none"> • Study alternative rubber materials. • Clean with kerosene.
Scratch	Scratch marks are observed.	S		<ul style="list-style-type: none"> • Scratched by a thread or sharp edge at installation. 	<ul style="list-style-type: none"> • Use an installation O-Ring hook.
Protrusion	The outside or inside of the ring is cut off partially or around the entire circumference.	S		<ul style="list-style-type: none"> • Inappropriate determination of pressure, gap & hardness. • Due to swelling. 	<ul style="list-style-type: none"> • Restudy pressure, gap & hardness. • Apply backup rings. • Study alternative rubber materials.
Tearing	The squeezed portion is cut off or chipped.	S		<ul style="list-style-type: none"> • Poor chamfer. • Groove depth is not sufficient. 	<ul style="list-style-type: none"> • Improve chamfer. • Restudy groove depth.
Cracked by ozone	Cracks are observed on all over the ring.	S		<ul style="list-style-type: none"> • Left in the air in a stretched condition. 	<ul style="list-style-type: none"> • Do not stretch the ring. • Coat grease or oil to the O-Ring to avoid contact with air. • Study alternative rubber materials.

Dotted line shows original O-Ring shape or size.

The installation process performed correctly can increase the service life of the component as well as the application. Incorrect installation can lead to assembly damage, causing leakage. The following are the recommendations for proper o-ring installation to help prevent these problems:




INSTALLATION INSTRUCTIONS

- Check whether the housing or rod has a lead-in chamfer. If not use an installation sleeve.
- Deburr and chamfer or round sharp edges. Cover the lips of any screw threads.
- Remove machining residues such as chips, dirt, and other foreign particles and carefully clean all parts.
- Lubrication - The seals can be installed more easily if they are greased or oiled. Proper lubrication will reduce the installation force and create a smooth transition.
- Choosing proper lubricant - Attention must be paid to the compatibility of the seal materials with these lubricants. When choosing a lubricant, the following points must be taken care:
 - Compatible with the material being used
 - Suitable for the temperature range of the application
 - Capable of producing a high surface tension film
 - Compatible with system fluids
- Do not use installation tools with sharp edges. Also, avoid forcing the O-Ring over sharp corners.
- When stretching the O-Ring around the shaft, stretch it evenly. Do not pull from one side. Also, try to stretch the O Ring as little as possible. This will provide a tighter seal and added security.
- When installing an O-Ring, do not roll it down the shaft. Instead, slide it down.

TIPS TO ENHANCE THE LIFE OF SEALS

- Do not store seals on the shop floor.
- The seals should be stored properly in a cool area and at Relative Humidity of 40%-70%.
- Packing must be airtight and intact. Seal lip should not be distorted by handling or hanging on a peg or nail.
- Correct installation tools must be used.
- The sealing area should be clean and dust-free of grit or contamination.
- The correct seal profile should be used as per the application.
- Ensure the operating temperature does not exceed the limit of the sealing material.
- Lubricant, including additives, must be compatible with the material of the seal (Check compatibility chart I on page no. ____ or website www.maxspare.com).
- The leading edge of the shaft should be chamfered.
- Tolerance for the shaft diameter must be within the range of the seal being used.
- Whenever possible, equipment should be vented to the atmosphere to prevent pressure build-up.
- Worn-out seals must not be used/reused.

OR HOOK

 <p>Light Duty</p>	 <p>Medium Duty</p>	 <p>Heavy Duty</p>	<p>Removing 'O' Rings from the seal with steel implements poses the real danger of damaging the 'O' Ring seat. With Max Spare 'O' Ring Hooks the removal of 'O' rings is simple, and safe. The 'O' Ring hooks come in a set of 4, with different profiles. The design of the hooks is such that it does not damage the seat. Knurled handle provides firm grip.</p>
---	--	---	---

Storage Conditions:

Most polymers, including vulcanized rubber and other elastomers, tend to change their properties during storage and may become unusable. This may be due to hardening, softening, cracking or other deterioration and may result from exposure to oxygen, ozone, light, heat and /or moisture.

The following recommendations indicate the most suitable storage conditions for elastomeric products, whether it is a single item or a composite product.

1. **Temperature** - Ideal storage temperature should be 25°C (77°F). Low temperatures are not permanently harmful provided the rubber items are handled carefully and not distorted. When taken from low temperatures items should be raised to approximately 30°C (86°F) before they are used.
2. **Humidity** – Relative humidity is of 40% to 70% in a draft-free atmosphere.
3. **Light** – The products should be protected from direct sunlight, ultraviolet and artificial light have a high UV content.
4. **Oxygen and Ozone** - Wrapping, storage in airtight containers or other suitable means should be used for vulcanised rubber items. Storage in containers that limit exposure to environmental conditions (e.g. sealed plastic bags) should be used for all materials.
5. **Radiation** – Products should be protected from all sources of ionizing radiation.
6. **Deformation** – The rubber items should be stored in a relaxed position, without tension or compression. Laying the product on a flat surface and preventing its suspension or crushing keeps it from deforming and minimizes deformation.
7. **Contact with liquid or semi-liquid materials** – Rubber should not come in to contact with liquid or semi-liquid materials or their vapours at any time during storage, unless these materials are an integral part of the product or the manufacture’s packaging.
8. **Contact with Metals** - Metals such as manganese, iron and copper, or copper alloys can have a harmful effect on rubber. A layer of paper, polyethylene or cellophane will keep these separated.
9. **Contact with Non-Metals** - Contact with other rubbers should be avoided.
10. **Stock Rotation** - Elastomers should be stored for as short a period as possible, and practice the First In First Out (FIFO system) stock liquidation.
11. **Cleaning** - Organic solvents such as trichloroethylene, carbon tetrachloride and petroleum are the most harmful agents. Soap and water and methylated spirits are the least harmful, and all parts should be dried at room temperature before use.
12. **Shelf Life** - The table shows the storage life of seal components made from the more common materials under ideal conditions. Storing under less than ideal conditions will reduce the life of the component.

Careful inspection for the following should be made before installation after storage:

- Cracks or Surface crazing
- Mechanical damage
- Permanent distortion
- Surface softening or hardening

Rubber / Elastomer	Max Code	Primary storage period (Years)	Extension of storage period after visual re-inspection (Years)
Nitrile Butadiene Rubber (NBR)	NT	7	3
Ethylene Propylene (EPDM)	EP	10	5
Fluorocarbon (FKM)	VT	10	5
Vinyl-Methyl-Silicon (VMQ)	SL	10	5
Polyurethane (PU)	PU	5	2
Engineering Thermoplastics:			
Acetal (POM)	ACT	Unlimited	-
Polyamide (PA)	NY		
Polytetrafluoroethylene (PTFE)	PFT		

Guidelines of ISO 2230

Part No.	d	c/s	Material	Mould No.
OR10000200-T9	2.00	1.00	FKM	SIA-2326
OR10000200-08	2.00	1.00	NBR	SIA-545
OR10000200-64	2.00	1.00	FKM	SIA-3047
OR11000200-66	2.00	1.10	FKM	SIA-1751
OR12500200-64	2.00	1.25	FKM	SIA-1254
OR12500200-08	2.00	1.25	NBR	SIA-258
OR13000200-08	2.00	1.30	NBR	SIA-2081
OR15000200-08	2.00	1.50	NBR	SIA-1455
OR15000200-64	2.00	1.50	FKM	SIA-592
OR15000200-D5	2.00	1.50	HNBR	SIA-2032
OR17500200-64	2.00	1.75	FKM	SIA-2455
OR17800200-64	2.00	1.78	FKM	SIA-2747
OR18000200-08	2.00	1.80	NBR	SIA-2063
OR18000200-64	2.00	1.80	FKM	SIA-2844
OR20000200-08	2.00	2.00	NBR	SIA-375
OR20000200-43	2.00	2.00	VMQ	SIA-1661
OR22000200-64	2.00	2.20	FKM	SIA-1662
OR25000200-08	2.00	2.50	NBR	SIA-113
OR30000200-08	2.00	3.00	NBR	SIA-2224
OR30000200-64	2.00	3.00	FKM	SIA-2464
OR34000200-64	2.00	3.40	FKM	SIA-2471
OR40000200-08	2.00	4.00	NBR	SIA-2577
OR26200206-08	2.06	2.62	NBR	SIA-712
OR26200206-D5	2.06	2.62	HNBR	SIA-2475
OR15500210-20	2.10	1.55	CR	SIA-1659
OR15000220-08	2.20	1.50	NBR	SIA-2957
OR16000220-10	2.20	1.60	NBR	SIA-1911
OR16000220-66	2.20	1.60	FKM	SIA-2848
OR10000226-64	2.26	1.00	FKM	SIA-799
OR10600270-T2	2.27	1.06	VMQ	SIA-2500
OR10000230-08	2.30	1.00	NBR	SIA-1844
OR16300233-08	2.33	1.63	NBR	SIA-3020
OR11300235-08	2.35	1.35	NBR	SIA-2833
OR16000240-67	2.40	1.60	FKM	SIA-1409
OR17000240-08	2.40	1.50	NBR	SIA-533
OR17000240-08	2.40	1.70	NBR	SIA-1168
OR17000240-64	2.40	1.70	FKM	SIA-2410
OR18000240-67	2.40	1.80	FKM	SIA-1404
OR21000240-64	2.40	2.10	FKM	SIA-2531
OR24000240-55	2.40	2.40	FKM	SIA-2885
OR10000250-64	2.50	1.00	FKM	SIA-2214
OR10000250-08	2.50	1.00	NBR	SIA-2937
OR11000250-32	2.50	1.10	EPDM	SIA-2858
OR12000250-66	2.50	1.20	FKM	SIA-2104
OR12000250-08	2.50	1.20	NBR	SIA-3295
OR12500250-10	2.50	1.25	NBR	SIA-3261
OR13000250-64	2.50	1.30	FKM	SIA-2139
OR15000250-43	2.50	1.50	VMQ	SIA-1252
OR15000250-0	2.50	1.50	NBR	SIA-2391
OR15000250-32	2.50	1.50	EPDM	SIA-3194
OR16000250-65	2.50	1.60	FKM	SIA-2929
OR17000250-T9	2.50	1.70	FKM	SIA-2995
OR17500250-08	2.50	1.75	NBR	SIA-2759
OR18000250-64	2.50	1.80	FKM	SIA-2547
OR18500250-32	2.50	1.85	EPDM	SIA-2557
OR20000250-66	2.50	2.00	FKM	SIA-1663
OR20000250-08	2.50	2.00	NBR	SIA-734
OR20000250-64	2.50	2.00	FKM	SIA-1896
OR19000254-08	2.54	1.90	NBR	SIA-3224
OR17800257-64	2.57	1.78	FKM	SIA-2183
OR17800257-R1	2.57	1.78	FKM	SIA-2071
OR17800257-08	2.57	1.78	NBR	SIA-595
OR17800257-08	2.57	1.78	NBR	SIA-3297
OR12000260-08	2.60	1.20	NBR	SIA-1345
OR12000260-32	2.60	1.20	EPDM	SIA-2433
OR15000260-08	2.60	1.50	NBR	SIA-866
OR17000260-08	2.60	1.70	NBR	SIA-1834
OR17500260-64	2.60	1.75	FKM	SIA-2386
OR19000260-64	2.60	1.90	FKM	SIA-1363
OR17800262-64	2.62	1.78	FKM	SIA-2361
OR17800270-64	2.70	1.78	FKM	SIA-3263
OR15000275-08	2.75	1.50	NBR	SIA-3181
OR20000275-64	2.75	2.00	FKM	SIA-1364

Part No.	d	c/s	Material	Mould No.
OR14000280-08	2.80	1.40	NBR	SIA-2588
OR15000280-64	2.80	1.50	FKM	SIA-945
OR15000280-97	2.80	1.50	SBR	SIA-2351
OR16000280-67	2.80	1.60	FKM	SIA-932
OR16000280-08	2.80	1.60	NBR	SIA-3013
OR18500280-08	2.80	1.85	NBR	SIA-2895
OR19000280-08	2.80	1.90	NBR	SIA-175
OR19000280-34	2.80	1.90	EPDM	SIA-1990
OR19000280-64	2.80	1.90	FKM	SIA-2679
OR20000280-67	2.80	2.00	FKM	SIA-1407
OR30000280-08	2.80	3.00	NBR	SIA-2198
OR30000280-64	2.80	3.00	FKM	SIA-1294
OR20000282-08	2.82	2.00	NBR	SIA-3044
OR17800284-43	2.84	1.78	VMQ	SIA-1303
OR26200284-08	2.84	2.62	NBR	SIA-404
OR26200284-BH	2.84	2.62	HNBR	SIA-2661
OR21000285-43	2.85	2.10	VMQ	SIA-2659
OR12000290-43	2.90	1.20	VMQ	SIA-1489
OR12000290-08	2.90	1.20	NBR	SIA-2243
OR12000290-64	2.90	1.20	FKM	SIA-2982
OR17800290-64	2.90	1.78	FKM	SIA-1157
OR17800290-R1	2.90	1.78	FVMQ	SIA-1938
OR17800290-08	2.90	1.78	NBR	SIA-165
OR17800290-P5	2.90	1.78	NBR	SIA-2640
OR17800290-M1	2.90	1.78	HNBR	SIA-2977
OR17800290-35	2.90	1.78	EPDM	SIA-3122
OR18000290-66	2.90	1.80	FKM	SIA-1668
OR18000290-66	2.90	1.80	FKM	SIA-1769
OR19000290-66	2.90	1.90	FKM	SIA-3104
OR10000300-64	3.00	1.00	FKM	SIA-2298
OR10000300-08	3.00	1.00	NBR	SIA-634
OR10000300-08	3.00	1.00	NBR	SIA-681
OR10000300-41	3.00	1.00	VMQ	SIA-3243
OR12500300-08	3.00	1.25	NBR	SIA-924
OR14000300-64	3.00	1.40	FKM	SIA-940
OR15000300-66	3.00	1.50	FKM	SIA-1574
OR15000300-08	3.00	1.50	NBR	SIA-459
OR15000300-64	3.00	1.50	FKM	SIA-1061
OR15000300-64	3.00	1.50	FKM	SIA-638
OR15000300-10	3.00	1.50	NBR	SIA-3077
OR16000300-08	3.00	1.60	NBR	SIA-159
OR16000300-20	3.00	1.60	CR	SIA-3160
OR17000300-64	3.00	1.70	FKM	SIA-1317
OR17500300-08	3.00	1.75	NBR	SIA-748
OR17800300-64	3.00	1.78	FKM	SIA-2000
OR18000300-10	3.00	1.80	NBR	SIA-1453
OR19000300-08	3.00	1.90	NBR	SIA-179
OR20000300-64	3.00	2.00	FKM	SIA-1370
OR20000300-08	3.00	2.00	NBR	SIA-254
OR22000300-08	3.00	2.20	NBR	SIA-830
OR24000300-32	3.00	2.40	EPDM	SIA-3222
OR25000300-08	3.00	2.50	NBR	SIA-2174
OR25000300-64	3.00	2.50	FKM	SIA-1991
OR30000300-08	3.00	3.00	NBR	SIA-857
OR35000300-08	3.00	3.50	NBR	SIA-2439
OR17800302-64	3.02	1.78	FKM	SIA-1137
OR26200308-08	3.08	2.62	NBR	SIA-3272
OR16000310-08	3.10	1.60	NBR	SIA-342
OR16000310-67	3.10	1.60	FKM	SIA-2445
OR17000310-20	3.10	1.70	CR	SIA-2479
OR17800310-T9	3.10	1.78	FKM	SIA-2793
OR17200315-64	3.15	1.72	FKM	SIA-3022
OR18000315-10	3.15	1.80	NBR	SIA-1742
OR18000315-T9	3.15	1.80	FKM	SIA-2618
OR17800317-P5	3.17	1.78	NBR	SIA-2635
OR15000320-08	3.20	1.50	NBR	SIA-2286
OR16000320-64	3.20	1.60	FKM	SIA-1306
OR16000320-08	3.20	1.60	NBR	SIA-3057
OR17000320-T9	3.20	1.70	FKM	SIA-160
OR19000320-08	3.20	1.90	NBR	SIA-1515
OR20000320-67	3.20	2.00	FKM	SIA-1406
OR21000320-66	3.20	2.10	FKM	SIA-1992
OR12700325-08	3.25	1.27	NBR	SIA-3017

Bold sizes are readily available in stock.
 Other material are available on request.

Part No.	d	c/s	Material	Mould No.
OR10000330-08	3.30	1.00	NBR	SIA-3137
OR15000330-64	3.30	1.50	FKM	SIA-2962
OR16000330-08	3.30	1.60	NBR	SIA-3054
OR18500330-64	3.30	1.85	FKM	SIA-2889
OR24000330-08	3.30	2.40	NBR	SIA-151
OR16000335-08	3.35	1.60	NBR	SIA-1146
OR16000335-08	3.35	1.60	NBR	SIA-1898
OR17800335-64	3.35	1.78	FKM	SIA-2419
OR14000340-08	3.40	1.40	NBR	SIA-537
OR16000340-67	3.40	1.60	FKM	SIA-1304
OR18000340-08	3.40	1.80	NBR	SIA-2867
OR19000340-J3	3.40	1.90	NBR	SIA-1339
OR20000340-64	3.40	2.00	FKM	SIA-1964
OR10000350-64	3.50	1.00	FKM	SIA-2333
OR10000350-08	3.50	1.00	NBR	SIA-783
OR12000350-08	3.50	1.20	NBR	SIA-2918
OR12500350-08	3.50	1.25	NBR	SIA-1042
OR14200350-64	3.50	1.42	FKM	SIA-3091
OR15000350-08	3.50	1.50	NBR	SIA-506
OR15000350-O4	3.50	1.50	FKM	SIA-2269
OR15000350-08	3.50	1.50	NBR	SIA-2252
OR17500350-08	3.50	1.75	NBR	SIA-680
OR17500350-64	3.50	1.75	FKM	SIA-2846
OR18000350-65	3.50	1.80	FKM	SIA-2378
OR20000350-65	3.50	2.00	FKM	SIA-1728
OR20000350-08	3.50	2.00	NBR	SIA-628
OR20000350-T3	3.50	2.00	EPDM	SIA-2670
OR23000350-64	3.50	2.30	FKM	SIA-2976
OR25000350-08	3.50	2.50	NBR	SIA-660
OR30000350-08	3.50	3.00	NBR	SIA-1004
OR37000350-11	3.50	3.70	NBR	SIA-2994
OR17000360-08	3.60	1.70	NBR	SIA-775
OR18000360-08	3.60	1.80	NBR	SIA-442
OR23000360-08	3.60	2.30	NBR	SIA-858
OR27000360-62	3.60	2.70	FKM	SIA-2331
OR26200363-64	3.63	2.62	FKM	SIA-1576
OR26200363-08	3.63	2.62	NBR	SIA-711
OR17800368-64	3.68	1.78	FKM	SIA-1244
OR17800368-66	3.68	1.78	FKM	SIA-2009
OR17800368-64	3.68	1.78	FKM	SIA-1897
OR17800368-08	3.68	1.78	NBR	SIA-216
OR17800368-S4	3.68	1.78	HNBR	SIA-3140
OR19800368-08	3.68	1.98	NBR	SIA-2219
OR10000370-43	3.70	1.00	VMQ	SIA-2980
OR10000370-08	3.70	1.00	NBR	SIA-2981
OR12000370-08	3.70	1.20	NBR	SIA-2466
OR12000370-43	3.70	1.20	VMQ	SIA-2970
OR14000370-08	3.70	1.40	NBR	SIA-2541
OR15000370-08	3.70	1.50	NBR	SIA-2223
OR17000370-08	3.70	1.70	NBR	SIA-338
OR18500370-08	3.70	1.85	NBR	SIA-2906
OR23000370-64	3.70	2.30	FKM	SIA-1318
OR23000370-66	3.70	2.30	FKM	SIA-1134
OR11000380-66	3.80	1.10	FKM	SIA-3026
OR15500380-64	3.80	1.55	FKM	SIA-1065
OR19000380-08	3.80	1.90	NBR	SIA-690
OR19000380-64	3.80	1.90	FKM	SIA-2354
OR20000380-08	3.80	2.00	NBR	SIA-2337
OR20500380-08	3.80	2.05	NBR	SIA-3301
OR23000380-08	3.80	2.30	NBR	SIA-1838
OR18500385-08	3.85	1.85	NBR	SIA-2498
OR19000385-11	3.85	1.90	NBR	SIA-2049
OR12000390-08	3.90	1.20	NBR	SIA-509
OR12700391-08	3.91	1.27	NBR	SIA-2887
OR30000393-64	3.93	3.00	FKM	SIA-2038
OR15800396-08	3.96	1.58	NBR	SIA-1253
OR10000400-08	4.00	1.00	NBR	SIA-596
OR10000400-08	4.00	1.00	NBR	SIA-474
OR10000400-64	4.00	1.00	FKM	SIA-827
OR10000400-34	4.00	1.00	EPDM	SIA-2989
OR10000400-64	4.00	1.00	FKM	SIA-3048
OR11000400-32	4.00	1.10	EPDM	SIA-2975
OR12000400-10	4.00	1.20	NBR	SIA-2089

Part No.	d	c/s	Material	Mould No.
OR13004000-32	4.00	1.30	EPDM	SIA-2558
OR14000400-64	4.00	1.40	FKM	SIA-1332
OR14200400-08	4.00	1.42	NBR	SIA-1560
OR15000400-64	4.00	1.50	FKM	SIA-1198
OR15000400-08	4.00	1.50	NBR	SIA-446
OR15000400-43	4.00	1.50	VMQ	SIA-148
OR15000400-97	4.00	1.50	SBR	SIA-1361
OR16000400-64	4.00	1.60	FKM	SIA-1893
OR17000400-08	4.00	1.70	NBR	SIA-1089
OR17000400-43	4.00	1.70	VMQ	SIA-1355
OR17000400-08	4.00	1.70	NBR	SIA-482
OR17500400-64	4.00	1.75	FKM	SIA-2008
OR17500400-08	4.00	1.75	NBR	SIA-541
OR17800400-64	4.00	1.78	FKM	SIA-1694
OR18000400-64	4.00	1.80	FKM	SIA-1433
OR18000400-64	4.00	1.80	FKM	SIA-1910
OR18500400-08	4.00	1.85	NBR	SIA-2544
OR19000400-76	4.00	1.90	AFLAS	SIA-3164
OR19000400-64	4.00	1.90	FKM	SIA-2196
OR20000400-08	4.00	2.00	NBR	SIA-1043
OR20000400-64	4.00	2.00	FKM	SIA-1310
OR20000400-08	4.00	2.00	NBR	SIA-132
OR22000400-34	4.00	2.20	EPDM	SIA-1988
OR22500400-08	4.00	2.25	NBR	SIA-2935
OR24000400-08	4.00	2.40	NBR	SIA-722
OR25000400-64	4.00	2.50	FKM	SIA-1497
OR25000400-08	4.00	2.50	NBR	SIA-399
OR30000400-08	4.00	3.00	NBR	SIA-674
OR35000400-64	4.00	3.50	FKM	SIA-1945
OR35000400-08	4.00	3.50	NBR	SIA-2573
OR35300400-64	4.00	3.53	FKM	SIA-1730
OR40000400-08	4.00	4.00	NBR	SIA-2199
OR40000400-64	4.00	4.00	FKM	SIA-2394
OR45000400-08	4.00	4.50	NBR	SIA-2571
OR50000400-08	4.00	5.00	NBR	SIA-2175
OR55000400-08	4.00	5.50	NBR	SIA-2210
OR14500410-08	4.10	1.45	NBR	SIA-2775
OR16000410-16	4.10	1.60	CR	SIA-1101
OR18500415-10	4.15	1.85	NBR	SIA-2787
OR10000420-08	4.20	1.00	NBR	SIA-2634
OR18000420-08	4.20	1.80	NBR	SIA-1732
OR18000420-08	4.20	1.80	NBR	SIA-280
OR19000420-10	4.20	1.90	NBR	SIA-2437
OR20000420-08	4.20	2.00	NBR	SIA-1282
OR20000420-64	4.20	2.00	FKM	SIA-2907
OR23500420-64	4.20	2.35	FKM	SIA-1445
OR12000425-08	4.25	1.20	NBR	SIA-1143
OR16000425-08	4.25	1.60	NBR	SIA-2532
OR25000425-08	4.25	2.50	NBR	SIA-1307
OR18000426-08	4.26	1.80	NBR	SIA-654
OR10000430-08	4.30	1.00	NBR	SIA-2669
OR12000430-11	4.30	1.20	NBR	SIA-3128
OR14000430-64	4.30	1.40	FKM	SIA-2030
OR15000430-08	4.30	1.50	NBR	SIA-809
OR15000430-64	4.30	1.50	FKM	SIA-1413
OR16000430-64	4.30	1.60	FKM	SIA-3058
OR24000430-32	4.30	2.40	EPDM	SIA-2312
OR24000430-R1	4.30	2.40	FVMQ	SIA-2770
OR13500434-67	4.34	1.35	FKM	SIA-1604
OR35300434-32	4.34	3.53	EPDM	SIA-2311
OR35300434-64	4.34	3.53	FKM	SIA-2185
OR35300434-08	4.34	3.53	NBR	SIA-713
OR18600436-64	4.36	1.86	FKM	SIA-1673
OR13000440-43	4.40	1.30	VMQ	SIA-1131
OR23400440-64	4.40	2.34	FKM	SIA-2148
OR26000440-64	4.40	2.60	FKM	SIA-1183
OR27000440-64	4.40	2.70	FKM	SIA-1788
OR31000440-08	4.40	3.10	NBR	SIA-2519
OR26200442-08	4.42	2.62	NBR	SIA-825
OR26200442-64	4.42	2.62	FKM	SIA-2636
OR16000447-08	4.47	1.60	NBR	SIA-1646
OR17800447-08	4.47	1.78	NBR	SIA-1600
OR17800447-08	4.47	1.78	NBR	SIA-337

Bold sizes are readily available in stock.
Other material are available on request.

Part No.	d	c/s	Material	Mould No.
OR17800447-D5	4.47	1.78	HNBR	SIA-3193
OR17800448-64	4.48	1.78	FKM	SIA-1536
OR10000450-67	4.50	1.00	FKM	SIA-2103
OR10000450-08	4.50	1.00	NBR	SIA-2666
OR15000450-11	4.50	1.50	NBR	SIA-1652
OR15000450-08	4.50	1.50	NBR	SIA-1112
OR15000450-64	4.50	1.50	FKM	SIA-2031
OR16000450-08	4.50	1.60	NBR	SIA-347
OR17000450-64	4.50	1.70	FKM	SIA-1082
OR17000450-08	4.50	1.70	NBR	SIA-155
OR18000450-08	4.50	1.80	NBR	SIA-2313
OR19000450-64	4.50	1.90	FKM	SIA-2203
OR20000450-43	4.50	2.00	VMQ	SIA-2365
OR20000450-64	4.50	2.00	FKM	SIA-1371
OR20000450-08	4.50	2.00	NBR	SIA-735
OR22500450-08	4.50	2.25	NBR	SIA-2877
OR24000450-08	4.50	2.40	NBR	SIA-2217
OR25000450-08	4.50	2.50	NBR	SIA-667
OR27500450-64	4.50	2.75	FKM	SIA-1999
OR30000450-64	4.50	3.00	FKM	SIA-1330
OR32500450-08	4.50	3.25	NBR	SIA-3148
OR28900457-65	4.57	2.89	FKM	SIA-3264
OR11000460-64	4.60	1.10	FKM	SIA-3215
OR12000460-10	4.60	1.20	NBR	SIA-2114
OR12000460-75	4.60	1.20	AFLAS	SIA-3149
OR13000460-O4	4.60	1.30	FKM	SIA-2299
OR16000460-09	4.60	1.60	NBR	SIA-2526
OR18500460-08	4.60	1.85	NBR	SIA-1965
OR23400460-64	4.60	2.34	FKM	SIA-2705
OR24000460-R1	4.60	2.40	FVMQ	SIA-2462
OR32000460-08	4.60	3.20	NBR	SIA-2376
OR20000465-66	4.65	2.00	FKM	SIA-2380
OR17800466-08	4.66	1.78	NBR	SIA-2776
OR11400467-08	4.67	1.14	NBR	SIA-662
OR14200470-10	4.70	1.42	NBR	SIA-1414
OR15000470-08	4.70	1.50	NBR	SIA-540
OR16000470-64	4.70	1.60	FKM	SIA-3250
OR17000470-08	4.70	1.70	NBR	SIA-286
OR19000470-64	4.70	1.90	FKM	SIA-1531
OR19000470-08	4.70	1.90	NBR	SIA-504
OR19000470-64	4.70	1.90	FKM	SIA-1148
OR21500470-10	4.70	2.15	NBR	SIA-1726
OR21500470-10	4.70	2.15	NBR	SIA-1452
OR40000470-08	4.70	4.00	NBR	SIA-267
OR26200474-08	4.74	2.62	NBR	SIA-3274
OR20000475-08	4.75	2.00	NBR	SIA-1681
OR15800476-66	4.76	1.58	FKM	SIA-166
OR17800476-64	4.76	1.78	FKM	SIA-1554
OR17800476-08	4.76	1.78	NBR	SIA-1490
OR15700478-08	4.78	1.57	NBR	SIA-1995
OR14000480-10	4.80	1.40	NBR	SIA-1349
OR15000480-64	4.80	1.50	FKM	SIA-2546
OR16000480-M1	4.80	1.60	HNBR	SIA-3265
OR18000480-03	4.80	1.80	NBR	SIA-1426
OR19000480-08	4.80	1.90	NBR	SIA-1240
OR24000480-20	4.80	2.40	CR	SIA-2938
OR14400490-43	4.90	1.44	VMQ	SIA-3234
OR16000490-08	4.90	1.60	NBR	SIA-228
OR19000490-62	4.90	1.90	FKM	SIA-1319
OR19000490-08	4.90	1.90	NBR	SIA-1365
OR22000490-08	4.90	2.20	NBR	SIA-3012
OR10000500-08	5.00	1.00	NBR	SIA-1039
OR10000500-64	5.00	1.00	FKM	SIA-1546
OR10000500-08	5.00	1.00	NBR	SIA-632
OR10000500-64	5.00	1.00	FKM	SIA-3041
OR12000500-08	5.00	1.20	NBR	SIA-814
OR13000500-64	5.00	1.30	FKM	SIA-1972
OR13200500-64	5.00	1.32	FKM	SIA-1567
OR14000500-08	5.00	1.40	NBR	SIA-2729
OR15000500-64	5.00	1.50	FKM	SIA-1530
OR15000500-08	5.00	1.50	NBR	SIA-283
OR15000500-64	5.00	1.50	FKM	SIA-701
OR15000500-43	5.00	1.50	VMQ	SIA-2303

Part No.	d	c/s	Material	Mould No.
OR15000500-08	5.00	1.50	NBR	SIA-992
OR15000500-M8	5.00	1.50	FVMQ	SIA-3230
OR16000500-T2	5.00	1.60	VMQ	SIA-1930
OR16000500-64	5.00	1.60	FKM	SIA-3198
OR16500500-64	5.00	1.65	FKM	SIA-3201
OR17000500-64	5.00	1.70	FKM	SIA-2108
OR17000500-08	5.00	1.70	NBR	SIA-496
OR17500500-d6	5.00	1.75	HNBR	SIA-3259
OR17800500-64	5.00	1.78	FKM	SIA-578
OR17800500-08	5.00	1.78	NBR	SIA-2450
OR17800500-L5	5.00	1.78	PU	POA-532
OR18000500-08	5.00	1.80	NBR	SIA-1259
OR18000500-08	5.00	1.80	NBR	SIA-1699
OR19000500-67	5.00	1.90	FKM	SIA-848
OR19000570-08	5.00	1.90	NBR	SIA-2251
OR20000500-64	5.00	2.00	FKM	SIA-993
OR20000500-64	5.00	2.00	FKM	SIA-353
OR20000500-08	5.00	2.00	NBR	SIA-531
OR20000500-32	5.00	2.00	EPDM	SIA-2967
OR22500500-43	5.00	2.25	VMQ	SIA-2428
OR24000500-64	5.00	2.40	FKM	SIA-1329
OR24300500-08	5.00	2.43	NBR	SIA-3296
OR25000500-64	5.00	2.50	FKM	SIA-137
OR25000500-08	5.00	2.50	NBR	SIA-911
OR25000500-R1	5.00	2.50	FVMQ	SIA-3155
OR25000500-L5	5.00	2.50	PU	POA-419
OR30000500-64	5.00	3.00	FKM	SIA-1982
OR30000500-08	5.00	3.00	NBR	SIA-832
OR35000500-08	5.00	3.50	NBR	SIA-145
OR40000500-64	5.00	4.00	FKM	SIA-1586
OR40000500-08	5.00	4.00	NBR	SIA-2575
OR45000500-08	5.00	4.50	NBR	SIA-2572
OR50000500-08	5.00	5.00	NBR	SIA-2209
OR50000500-64	5.00	5.00	FKM	SIA-1553
OR16000509-08	5.09	1.60	NBR	SIA-2346
OR16000510-P4	5.10	1.60	NBR	SIA-3217
OR13000520-08	5.20	1.30	NBR	SIA-2510
OR16000520-08	5.20	1.60	NBR	SIA-127
OR16000520-64	5.20	1.60	FKM	SIA-1227
OR17500520-08	5.20	1.75	NBR	SIA-1272
OR17500520-08	5.20	1.75	NBR	SIA-1905
OR18000520-08	5.20	1.80	NBR	SIA-2458
OR20000520-20	5.20	2.00	CR	SIA-584
OR24000520-08	5.20	2.40	NBR	SIA-590
OR26200523-08	5.23	2.62	NBR	SIA-710
OR26200523-59	5.23	2.62	PU	POA-442
OR14000525-65	5.25	1.40	FKM	SIA-2379
OR18000525-64	5.25	1.80	FKM	SIA-1957
OR17800528-64	5.28	1.78	FKM	SIA-1412
OR17800528-08	5.28	1.78	NBR	SIA-709
OR10000530-43	5.30	1.00	VMQ	SIA-3238
OR16500530-08	5.30	1.65	NBR	SIA-1804
OR16500530-64	5.30	1.65	FKM	SIA-1805
OR19000530-64	5.30	1.90	FKM	SIA-3099
OR20000530-08	5.30	2.00	NBR	SIA-2158
OR22500530-08	5.30	2.25	NBR	SIA-874
OR23000530-64	5.30	2.30	FKM	SIA-2254
OR24000530-62	5.30	2.40	FKM	SIA-1309
OR24000530-08	5.30	2.40	NBR	SIA-1884
OR34000530-43	5.30	3.40	VMQ	SIA-2403
OR11600532-08	5.32	1.16	NBR	SIA-2190
OR20000535-64	5.35	2.00	FKM	SIA-2073
OR20000535-08	5.35	2.00	NBR	SIA-2079
OR13000540-08	5.40	1.30	NBR	SIA-2625
OR14000540-08	5.40	1.40	NBR	SIA-2626
OR18000540-D5	5.40	1.80	HNBR	SIA-2054
OR18000540-32	5.40	1.80	EPDM	SIA-2649
OR24000540-08	5.40	2.40	NBR	SIA-332
OR28000540-08	5.40	2.80	NBR	SIA-2375
OR10000550-08	5.50	1.00	NBR	SIA-1819
OR10000550-64	5.50	1.00	FKM	SIA-2154
OR12000550-10	5.50	1.20	NBR	SIA-2085
OR12500550-08	5.50	1.25	NBR	SIA-2817

Bold sizes are readily available in stock.
 Other material are available on request.

Part No.	d	c/s	Material	Mould No.
OR15000550-08	5.50	1.50	NBR	SIA-741
OR15000550-64	5.50	1.50	FKM	SIA-1356
OR15000550-Q2	5.50	1.50	PU	POA-520
OR15000550-32	5.50	1.50	EPDM	SIA-3195
OR17500550-64	5.50	1.75	FKM	SIA-3072
OR17500550-32	5.50	1.75	EPDM	SIA-3270
OR18000550-08	5.50	1.80	NBR	SIA-423
OR19000550-08	5.50	1.90	NBR	SIA-2070
OR20000550-L5	5.50	2.00	PU	POA-417
OR20000550-08	5.50	2.00	NBR	SIA-445
OR20000550-64	5.50	2.00	FKM	SIA-1894
OR22000550-64	5.50	2.20	FKM	SIA-3298
OR22500550-08	5.50	2.25	NBR	SIA-525
OR25000550-08	5.50	2.50	NBR	SIA-109
OR25000550-64	5.50	2.50	FKM	SIA-1796
OR27500550-08	5.50	2.75	NBR	SIA-3306
OR30000550-08	5.50	3.00	NBR	SIA-538
OR35000550-08	5.50	3.50	NBR	SIA-158
OR15800555-66	5.55	1.58	FKM	SIA-163
OR12000560-08	5.60	1.20	NBR	SIA-2096
OR18000560-08	5.60	1.80	NBR	SIA-2881
OR19600560-08	5.60	1.96	NBR	SIA-3225
OR22000560-64	5.60	2.20	FKM	SIA-2320
OR22000560-08	5.60	2.20	NBR	SIA-2622
OR23000560-08	5.60	2.30	NBR	SIA-1231
OR24000560-08	5.60	2.40	NBR	SIA-1778
OR24000560-64	5.60	2.40	FKM	SIA-2189
OR24400566-08	5.66	2.44	NBR	SIA-1891
OR17800569-08	5.69	1.78	NBR	SIA-1583
OR11000570-32	5.70	1.10	EPDM	SIA-2816
OR16000570-64	5.70	1.60	FKM	SIA-1347
OR19000570-67	5.70	1.90	FKM	SIA-1669
OR19000570-66	5.70	1.90	FKM	SIA-1770
OR23000570-62	5.70	2.30	FKM	SIA-1190
OR25000570-08	5.70	2.50	NBR	SIA-1593
OR26500570-64	5.70	2.65	FKM	SIA-3158
OR18800574-64	5.74	1.88	FKM	SIA-2364
OR21000575-64	5.75	2.10	FKM	SIA-1473
OR21500575-08	5.75	2.15	NBR	SIA-2855
OR23000575-S8	5.75	2.30	NBR	SIA-3117
OR21700576-64	5.76	2.17	FKM	SIA-2373
OR10000580-08	5.80	1.00	NBR	SIA-1389
OR11000580-11	5.80	1.10	NBR	SIA-2789
OR12600580-64	5.80	1.26	FKM	SIA-2145
OR18000500-10	5.80	1.80	NBR	SIA-1533
OR15000580-64	5.80	1.50	FKM	SIA-1958
OR17800580-64	5.80	1.78	FKM	SIA-1102
OR17800580-64	5.80	1.78	FKM	SIA-1098
OR18000580-64	5.80	1.80	FKM	SIA-2029
OR19000580-08	5.80	1.90	NBR	SIA-600
OR19000580-64	5.80	1.90	FKM	SIA-1863
OR20000580-08	5.80	2.00	NBR	SIA-1919
OR22000580-08	5.80	2.20	NBR	SIA-2405
OR25000580-08	5.80	2.50	NBR	SIA-757
OR26000580-10	5.80	2.60	NBR	SIA-1279
OR16000585-64	5.85	1.60	FKM	SIA-2306
OR26500590-64	5.90	2.65	FKM	SIA-1460
OR35300594-64	5.94	3.53	FKM	SIA-1448
OR35300594-08	5.94	3.53	NBR	SIA-668
OR35300594-R1	5.94	3.53	FVMQ	SIA-2748
OR21000595-D5	5.95	2.10	HNBR	SIA-1484
OR10000600-08	6.00	1.00	NBR	SIA-275
OR10000600-D5	6.00	1.00	HNBR	SIA-826
OR10000600-43	6.00	1.00	VMQ	SIA-2425
OR10000600-77	6.00	1.00	FKM	SIA-2538
OR10000600-64	6.00	1.00	FKM	SIA-2542
OR10000600-T9	6.00	1.00	FKM	SIA-2812
OR10000600-T9	6.00	1.00	FKM	SIA-2829
OR10000600-66	6.00	1.00	FKM	SIA-3187
OR12000600-11	6.00	1.20	NBR	SIA-2110
OR12500600-64	6.00	1.25	FKM	SIA-1196
OR12500600-64	6.00	1.25	FKM	SIA-1359
OR12500600-08	6.00	1.25	NBR	SIA-237

Part No.	d	c/s	Material	Mould No.
OR15000600-08	6.00	1.50	NBR	SIA-242
OR15000600-64	6.00	1.50	FKM	SIA-1368
OR15000600-10	6.00	1.50	NBR	SIA-1416
OR15006000-64	6.00	1.50	FKM	SIA-1961
OR16000600-08	6.00	1.60	NBR	SIA-828
OR17000600-64	6.00	1.70	FKM	SIA-2599
OR17500600-08	6.00	1.75	NBR	SIA-997
OR17500600-08	6.00	1.75	NBR	SIA-692
OR17500600-D5	6.00	1.75	HNBR	SIA-3214
OR17800600-L5	6.00	1.78	PU	POA-127
OR18000600-08	6.00	1.80	NBR	SIA-279
OR18000600-64	6.00	1.80	FKM	SIA-1405
OR19000600-08	6.00	1.90	NBR	SIA-981
OR19000600-64	6.00	1.90	FKM	SIA-2173
OR20000600-08	6.00	2.00	NBR	SIA-1017
OR20000600-D5	6.00	2.00	HNBR	SIA-1763
OR20000600-08	6.00	2.00	NBR	SIA-138
OR20000600-64	6.00	2.00	FKM	SIA-182
OR20000600-L3	6.00	2.00	AFLAS	SIA-2473
OR21000600-08	6.00	2.10	NBR	SIA-1979
OR22000600-10	6.00	2.20	NBR	SIA-1439
OR22500600-43	6.00	2.25	VMQ	SIA-2315
OR22500600-20	6.00	2.25	CR	SIA-2681
OR25000600-08	6.00	2.50	NBR	SIA-591
OR25000600-62	6.00	2.50	FKM	SIA-2255
OR25000600-89	6.00	2.50	PU	POA-303
OR25000600-43	6.00	2.50	VMQ	SIA-1909
OR25000600-64	6.00	2.50	FKM	SIA-1904
OR25000600-U2	6.00	2.50	EPDM	SIA-2513
OR25000600-U2	6.00	2.50	FKM	SIA-2741
OR26200600-11	6.00	2.62	NBR	SIA-1790
OR27500600-08	6.00	2.75	NBR	SIA-649
OR28000600-L5	6.00	2.80	PU	POA-458
OR30000600-10	6.00	3.00	NBR	SIA-1398
OR30000600-64	6.00	3.00	FKM	SIA-1302
OR30000600-08	6.00	3.00	NBR	SIA-324
OR30000600-08	6.00	3.00	NBR	SIA-223
OR30000600-43	6.00	3.00	VMQ	SIA-2901
OR32000600-67	6.00	3.20	FKM	SIA-1427
OR40000600-08	6.00	4.00	NBR	SIA-466
OR45000600-08	6.00	4.50	NBR	SIA-2570
OR26200602-64	6.02	2.62	FKM	SIA-1301
OR26200602-32	6.02	2.62	EPDM	SIA-1800
OR26200602-08	6.02	2.62	NBR	SIA-766
OR10200607-08	6.07	1.02	NBR	SIA-3125
OR16300607-64	6.07	1.63	FKM	SIA-2556
OR17200607-32	6.07	1.72	EPDM	SIA-2501
OR17800607-64	6.07	1.78	FKM	SIA-1210
OR17800607-08	6.07	1.78	NBR	SIA-1598
OR17800607-08	6.07	1.78	NBR	SIA-319
OR17800607-CT	6.07	1.78	FVMQ	SIA-2799
OR17800607-T5	6.07	1.78	EPDM	SIA-3294
OR18500607-43	6.07	1.85	VMQ	SIA-2559
OR16000610-08	6.10	1.60	NBR	SIA-2221
OR16000610-64	6.10	1.60	FKM	SIA-3175
OR32000610-08	6.10	3.20	NBR	SIA-2434
OR15500620-64	6.20	1.55	FKM	SIA-1472
OR16000620-08	6.20	1.60	NBR	SIA-271
OR17000620-08	6.20	1.70	NBR	SIA-2819
OR20000620-64	6.20	2.00	FKM	SIA-3112
OR30000620-08	6.20	3.00	NBR	SIA-3006
OR31000620-20	6.20	3.10	NBR	SIA-2673
OR17800624-67	6.24	1.78	FKM	SIA-2720
OR25000625-08	6.25	2.50	NBR	SIA-194
OR10000630-08	6.30	1.00	NBR	SIA-2517
OR15000630-67	6.30	1.50	FKM	SIA-2754
OR16000630-08	6.30	1.60	NBR	SIA-356
OR18000630-08	6.30	1.80	NBR	SIA-167
OR18500630-43	6.30	1.85	VMQ	SIA-1125
OR20000630-08	6.30	2.00	NBR	SIA-2077
OR24000630-08	6.30	2.40	NBR	SIA-1590
OR26200630-08	6.30	2.62	NBR	SIA-3007
OR27000630-64	6.30	2.70	FKM	SIA-2654

Bold sizes are readily available in stock.
Other material are available on request.

Part No.	d	c/s	Material	Mould No.
OR37000630-08	6.30	3.70	NBR	SIA-2745
OR10000635-64	6.35	1.00	FKM	SIA-3220
OR15700635-64	6.35	1.57	FKM	SIA-2019
OR15800635-08	6.35	1.58	NBR	SIA-2818
OR15900635-64	6.35	1.59	FKM	SIA-2140
OR20000635-08	6.35	2.00	NBR	SIA-2060
OR11500640-43	6.40	1.20	VMQ	SIA-1656
OR16000640-64	6.40	1.60	FKM	SIA-2993
OR18000640-64	6.40	1.80	FKM	SIA-1179
OR24000640-08	6.40	2.40	NBR	SIA-412
OR17800644-64	6.44	1.78	FKM	SIA-1925
OR10000650-08	6.50	1.00	NBR	SIA-2137
OR10000650-L5	6.50	1.00	PU	POA-428
OR10000650-62	6.50	1.00	FKM	SIA-2792
OR12000650-64	6.50	1.20	FKM	SIA-2369
OR15000650-64	6.50	1.50	FKM	SIA-2363
OR13000650-08	6.50	1.30	NBR	SIA-309
OR15000650-08	6.50	1.50	NBR	SIA-416
OR16000650-64	6.50	1.60	FKM	SIA-1228
OR60000650-R1	6.50	1.60	FVMQ	SIA-2415
OR17500650-L5	6.50	1.75	PU	POA-476
OR18000650-08	6.50	1.80	NBR	SIA-227
OR18000650-64	6.50	1.80	FKM	SIA-2566
OR20000650-64	6.50	2.00	FKM	SIA-2247
OR20000650-08	6.50	2.00	NBR	SIA-835
OR20000650-L5	6.50	2.00	PU	POA-475
OR22000650-64	6.50	2.20	FKM	SIA-3248
OR22500650-08	6.50	2.25	NBR	SIA-1833
OR25000650-64	6.50	2.50	FKM	SIA-811
OR25000650-08	6.50	2.50	NBR	SIA-1372
OR32000650-08	6.50	3.20	NBR	SIA-1194
OR40000650-06	6.50	4.00	NBR	SIA-1601
OR11000655-08	6.55	1.10	NBR	SIA-1041
OR17800660-O4	6.60	1.78	FKM	SIA-2267
OR17800660-08	6.60	1.78	NBR	SIA-2615
OR23000660-64	6.60	2.30	FKM	SIA-3106
OR30000660-08	6.60	3.00	NBR	SIA-1436
OR25000665-08	6.65	2.50	NBR	SIA-2074
OR31500665-32	6.65	3.15	EPDM	SIA-3212
OR10700668-08	6.68	1.07	NBR	SIA-1775
OR10700668-08	6.68	1.07	NBR	SIA-1629
OR17000670-08	6.70	1.70	NBR	SIA-547
OR17800670-08	6.70	1.78	NBR	SIA-2195
OR26200670-10	6.70	2.62	NBR	SIA-1100
OR27000670-65	6.70	2.70	FKM	SIA-2911
OR28000670-08	6.70	2.80	NBR	SIA-2259
OR17800675-08	6.75	1.78	NBR	SIA-1062
OR17800675-64	6.75	1.78	FKM	SIA-1759
OR17800675-08	6.75	1.78	NBR	SIA-1215
OR17806750-08	6.75	1.78	NBR	SIA-1914
OR17800675-08	6.75	1.78	NBR	SIA-984
OR15500676-08	6.76	1.55	NBR	SIA-1640
OR15000680-64	6.80	1.50	FKM	SIA-1177
OR15000680-08	6.80	1.50	NBR	SIA-2045
OR19000680-08	6.80	1.90	NBR	SIA-176
OR19000680-08	6.80	1.90	NBR	SIA-1684
OR19000680-67	6.80	1.90	FKM	SIA-1825
OR20000680-64	6.80	2.00	FKM	SIA-1631
OR35300680-08	6.80	3.53	NBR	SIA-1333
OR17800686-O4	6.86	1.78	FKM	SIA-2388
OR17800686-08	6.86	1.78	NBR	SIA-2971
OR18300686-64	6.86	1.83	FKM	SIA-1458
OR15000690-64	6.90	1.50	FKM	SIA-1633
OR17000690-64	6.90	1.70	FKM	SIA-2165
OR18000690-08	6.90	1.80	NBR	SIA-140
OR18000690-D5	6.90	1.80	HNBR	SIA-2902
OR24000690-64	6.90	2.40	FKM	SIA-1344
OR13800694-64	6.94	1.38	FKM	SIA-3089
OR10000700-08	7.00	1.00	NBR	SIA-631
OR10000700-64	7.00	1.00	FKM	SIA-697
OR10000700-J3	7.00	1.00	Butyl Rubber	SIA-2529
OR10000700-43	7.00	1.00	VMQ	SIA-2849
OR11000700-08	7.00	1.10	NBR	SIA-3199

Part No.	d	c/s	Material	Mould No.
OR12000700-08	7.00	1.20	NBR	SIA-1813
OR12500700-08	7.00	1.25	NBR	SIA-580
OR12500700-64	7.00	1.25	FKM	SIA-2656
OR15000700-08	7.00	1.50	NBR	SIA-454
OR15000700-64	7.00	1.50	FKM	SIA-1411
OR15000700-08	7.00	1.50	NBR	SIA-991
OR15000700-07	7.00	1.50	NBR	SIA-361
OR16000700-64	7.00	1.60	FKM	SIA-1948
OR17000700-08	7.00	1.70	NBR	SIA-1607
OR17500700-D5	7.00	1.75	HNBR	SIA-948
OR17800700-64	7.00	1.78	FKM	SIA-1883
OR17800700-08	7.00	1.78	NBR	SIA-2674
OR18000700-32	7.00	1.80	EPDM	SIA-3235
OR20000700-L5	7.00	2.00	PU	POA-403
OR20000700-22	7.00	2.00	CR	SIA-1523
OR20000700-64	7.00	2.00	FKM	SIA-1075
OR20000700-08	7.00	2.00	NBR	SIA-364
OR20000700-08	7.00	2.00	NBR	SIA-265
OR20000700-35	7.00	2.00	EPDM	SIA-2768
OR20000700-BA	7.00	2.00	FKM	SIA-3244
OR22000700-11	7.00	2.20	NBR	SIA-1829
OR24000700-43	7.00	2.40	VMQ	SIA-1507
OR24000700-08	7.00	2.40	NBR	SIA-278
OR25000700-08	7.00	2.50	NBR	SIA-852
OR25000700-T2	7.00	2.50	VMQ	SIA-2213
OR25000700-64	7.00	2.50	FKM	SIA-3056
OR27500700-64	7.00	2.75	FKM	SIA-2370
OR27500700-59	7.00	2.75	PU	POA-425
OR28000700-08	7.00	2.80	NBR	SIA-112
OR30000700-08	7.00	3.00	NBR	SIA-119
OR30000700-08	7.00	3.00	NBR	SIA-658
OR30000700-64	7.00	3.00	FKM	SIA-2170
OR30000700-32	7.00	3.00	EPDM	SIA-3236
OR33000700-08	7.00	3.30	NBR	SIA-2664
OR35000700-08	7.00	3.50	NBR	SIA-2574
OR35500700-39	7.00	3.55	VMQ	SIA-3242
OR40000700-08	7.00	4.00	NBR	SIA-833
OR40000700-32	7.00	4.00	EPDM	SIA-2928
OR45000700-08	7.00	4.50	NBR	SIA-1289
OR50000700-64	7.00	5.00	FKM	SIA-2068
OR15100706-T7	7.06	1.51	FKM	SIA-2341
OR16000710-32	7.10	1.60	EPDM	SIA-1122
OR16000710-08	7.10	1.60	NBR	SIA-2392
OR16000710-65	7.10	1.60	FKM	SIA-3208
OR22000710-08	7.10	2.20	NBR	SIA-1288
OR24000710-64	7.10	2.40	FKM	SIA-1385
OR26000710-08	7.10	2.60	NBR	SIA-174
OR26000710-08	7.10	2.60	NBR	SIA-1913
OR10000720-43	7.20	1.00	VMQ	SIA-1981
OR12000720-T7	7.20	1.20	FKM	SIA-2265
OR14000720-08	7.20	1.40	NBR	SIA-879
OR15000720-64	7.20	1.50	FKM	SIA-1378
OR15000720-08	7.20	1.50	NBR	SIA-2082
OR15500720-66	7.20	1.55	FKM	SIA-1204
OR18000720-64	7.20	1.80	FKM	SIA-1707
OR18000720-08	7.20	1.80	NBR	SIA-941
OR18000720-20	7.20	1.80	CR	SIA-3241
OR19000720-64	7.20	1.90	FKM	SIA-1459
OR19000720-08	7.20	1.90	NBR	SIA-1935
OR20000720-08	7.20	2.00	NBR	SIA-1922
OR20000720-08	7.20	2.00	NBR	SIA-731
OR25000720-64	7.20	2.50	FKM	SIA-2040
OR27800720-64	7.20	2.78	FKM	SIA-3174
OR32000720-08	7.20	3.20	NBR	SIA-2176
OR32000720-64	7.20	3.20	FKM	SIA-2600
OR26200725-06	7.25	2.62	NBR	SIA-1057
OR26200725-08	7.25	2.62	NBR	SIA-1989
OR17800726-08	7.26	1.78	NBR	SIA-1308
OR23000726-08	7.26	2.30	NBR	SIA-1781
OR21000730-64	7.30	2.10	FKM	SIA-2715
OR24000730-08	7.30	2.40	NBR	SIA-1698
OR25000730-43	7.30	2.50	VMQ	SIA-2903
OR25000730-64	7.30	2.50	FKM	SIA-2956

Bold sizes are readily available in stock.
 Other material are available on request.

Part No.	d	c/s	Material	Mould No.
OR23000733-08	7.33	2.30	NBR	SIA-1564
OR11000740-08	7.40	1.10	FKM	SIA-3286
OR15000740-64	7.40	1.50	FKM	SIA-1442
OR18000740-64	7.40	1.80	FKM	SIA-2803
OR23000740-08	7.40	2.30	NBR	SIA-559
OR28000740-08	7.40	2.80	NBR	SIA-2820
OR28000740-64	7.40	2.80	FKM	SIA-2863
OR24900749-64	7.49	2.49	FKM	SIA-1520
OR10000750-U2	7.50	1.00	FKM	SIA-1683
OR10000750-20	7.50	1.00	CR	SIA-593
OR11500750-08	7.50	1.15	NBR	SIA-2939
OR12500750-64	7.50	1.25	FKM	SIA-488
OR13000750-08	7.50	1.30	NBR	SIA-543
OR13000750-64	7.50	1.30	FKM	SIA-3101
OR15000750-08	7.50	1.50	NBR	SIA-285
OR15000750-67	7.50	1.50	FKM	SIA-1124
OR15000750-64	7.50	1.50	FKM	SIA-1832
OR15000750-L5	7.50	1.50	PU	POA-502
OR16000750-D5	7.50	1.60	HNBR	SIA-2430
OR16000750-08	7.50	1.60	NBR	SIA-3046
OR17000750-64	7.50	1.70	FKM	SIA-1710
OR17000750-35	7.50	1.70	EPDM	SIA-938
OR17500750-20	7.50	1.75	CR	SIA-1166
OR17500750-08	7.50	1.75	NBR	SIA-323
OR18000750-11	7.50	1.80	NBR	SIA-1209
OR18500750-64	7.50	1.85	FKM	SIA-116
OR20000750-11	7.50	2.00	NBR	SIA-3279
OR20000750-64	7.50	2.00	FKM	SIA-1493
OR20000750-D5	7.50	2.00	HNBR	SIA-1474
OR20000750-08	7.50	2.00	NBR	SIA-238
OR20000750-08	7.50	2.00	NBR	SIA-259
OR20000750-L5	7.50	2.00	PU	POA-497
OR20000750-04	7.50	2.00	NBR	SIA-3172
OR20000750-67	7.50	2.00	FKM	SIA-3107
OR22500750-08	7.50	2.25	NBR	SIA-1534
OR25000750-08	7.50	2.50	NBR	SIA-335
OR25000750-64	7.50	2.50	FKM	SIA-1634
OR25000750-30	7.50	2.50	EPDM	SIA-2899
OR30000750-10	7.50	3.00	NBR	SIA-884
OR35300752-64	7.52	3.53	FKM	SIA-1290
OR35300752-08	7.52	3.53	NBR	SIA-718
OR26200759-O3	7.59	2.62	NBR	SIA-1700
OR26200759-08	7.59	2.62	NBR	SIA-519
OR26200759-64	7.59	2.62	FKM	SIA-3053
OR17800760-43	7.60	1.78	VMQ	SIA-1299
OR23000740-08	7.60	2.30	NBR	SIA-863
OR24000760-64	7.60	2.40	FKM	SIA-898
OR24000760-08	7.60	2.40	NBR	SIA-2058
OR24000760-R1	7.60	2.40	FVMQ	SIA-2469
OR24000760-T5	7.60	2.40	EPDM	SIA-2490
OR24000760-08	7.60	2.40	NBR	SIA-2706
OR25000760-08	7.60	2.50	NBR	SIA-299
OR25000760-67	7.60	2.50	FKM	SIA-1431
OR26200760-T9	7.60	2.62	FKM	SIA-1532
OR26200760-09	7.60	2.62	NBR	SIA-2992
OR26200760-R1	7.60	2.62	FVMQ	SIA-2940
OR12700762-67	7.62	1.27	FKM	SIA-2452
OR17800764-04	7.64	1.78	NBR	SIA-2260
OR15000765-08	7.65	1.50	NBR	SIA-171
OR15000765-64	7.65	1.50	FKM	SIA-2984
OR16300765-11	7.65	1.63	NBR	SIA-2518
OR16300765-67	7.65	1.63	FKM	SIA-2671
OR16300765-R1	7.65	1.63	FVMQ	SIA-3308
OR17800765-32	7.65	1.78	EPDM	SIA-1538
OR17800765-64	7.65	1.78	FKM	SIA-1233
OR1780065-08	7.65	1.78	NBR	SIA-1162
OR17800765-L5	7.65	1.78	PU	POA-237
OR17800765-10	7.65	1.78	NBR	SIA-1880
OR17800765-08	7.65	1.78	NBR	SIA-723
OR17800765-O4	7.65	1.78	FKM	SIA-2444
OR17800765-67	7.65	1.78	FKM	SIA-2495
OR17800765-67	7.65	1.78	FKM	SIA-2564
OR17800765-L3	7.65	1.78	AFLAS	SIA-2785

Part No.	d	c/s	Material	Mould No.
OR17800765-R1	7.65	1.78	FVMQ	SIA-2781
OR20000765-08	7.65	2.00	NBR	SIA-2091
OR16500766-08	7.66	1.65	NBR	SIA-1327
OR17800766-35	7.66	1.78	EPDM	SIA-2447
OR16000770-08	7.70	1.60	NBR	SIA-1165
OR16000770-08	7.70	1.60	NBR	SIA-2631
OR18000770-08	7.70	1.80	NBR	SIA-1736
OR18407700-66	7.70	1.84	FKM	SIA-1755
OR19000770-64	7.70	1.90	FKM	SIA-1711
OR17000780-64	7.80	1.70	FKM	SIA-740
OR17000780-08	7.80	1.70	NBR	SIA-2289
OR18000780-08	7.80	1.80	NBR	SIA-2742
OR19000780-08	7.80	1.90	NBR	SIA-1250
OR19000780-D5	7.80	1.90	HNBR	SIA-949
OR19000780-64	7.80	1.90	FKM	SIA-980
OR19000780-L5	7.80	1.90	PU	POA-543
OR20000780-66	7.80	2.00	FKM	SIA-1680
OR30000780-64	7.80	3.00	FKM	SIA-2797
OR19000780-64	7.80	1.90	FKM	SIA-1859
OR10000782-66	7.82	1.00	FKM	SIA-3135
OR1800786-08	7.86	1.18	NBR	SIA-2567
OR17800786-11	7.86	1.78	NBR	SIA-1005
OR13007900-S4	7.90	1.30	HNBR	SIA-2638
OR16000790-08	7.90	1.60	NBR	SIA-502
OR18000790-64	7.90	1.80	FKM	SIA-1243
OR20000790-43	7.90	2.00	VMQ	SIA-1993
OR21000790-10	7.90	2.10	NBR	SIA-2272
OR26000790-64	7.90	2.60	FKM	SIA-2778
OR26200790-11	7.90	2.62	NBR	SIA-1561
OR26200790-08	7.90	2.62	NBR	SIA-2743
OR15600792-T7	7.92	1.56	FKM	SIA-2342
OR15900793-08	7.93	1.59	NBR	SIA-647
OR15800794-08	7.94	1.58	NBR	SIA-1595
OR15900794-64	7.94	1.59	FKM	SIA-1521
OR17800794-06	7.94	1.78	NBR	SIA-1974
OR17800794-64	7.94	1.78	FKM	SIA-2914
OR23800794-08	7.94	2.38	NBR	SIA-1396
OR15800795-64	7.95	1.58	FKM	SIA-3094
OR16300795-32	7.95	1.63	EPDM	SIA-1939
OR18800797-11	7.97	1.88	NBR	SIA-2138
OR26200798-64	7.98	2.62	FKM	SIA-2821
OR10000800-D5	8.00	1.00	HNBR	SIA-1149
OR10000800-08	8.00	1.00	NBR	SIA-786
OR10000800-64	8.00	1.00	FKM	SIA-1793
OR10000800-T5	8.00	1.00	EPDM	SIA-3293
OR11000800-64	8.00	1.10	FKM	SIA-2339
OR11000800-08	8.00	1.10	NBR	SIA-1978
OR11000800-66	8.00	1.10	NBR	SIA-2427
OR12000800-10	8.00	1.20	NBR	SIA-133
OR12000800-43	8.00	1.20	VMQ	SIA-2095
OR12500800-08	8.00	1.25	NBR	SIA-523
OR12500800-64	8.00	1.25	FKM	SIA-1708
OR14500800-64	8.00	1.45	FKM	SIA-1517
OR15000800-08	8.00	1.50	NBR	SIA-1293
OR15000800-66	8.00	1.50	FKM	SIA-1835
OR15000800-08	8.00	1.50	NBR	SIA-288
OR15000800-64	8.00	1.50	FKM	SIA-1394
OR15000800-D5	8.00	1.50	HNBR	SIA-2744
OR15000800-P5	8.00	1.50	NBR	SIA-2641
OR16000800-08	8.00	1.60	NBR	SIA-664
OR16000800-L5	8.00	1.60	PU	POA-465
OR17000800-08	8.00	1.70	NBR	SIA-2233
OR17500800-64	8.00	1.75	FKM	SIA-2105
OR17500800-08	8.00	1.75	NBR	SIA-2106
OR17800800-R1	8.00	1.78	NBR	SIA-1688
OR18000800-R3	8.00	1.80	PU	POA-188
OR18000800-08	8.00	1.80	NBR	SIA-366
OR18000800-64	8.00	1.80	FKM	SIA-3039
OR18000800-66	8.00	1.80	FKM	SIA-3253
OR19000800-08	8.00	1.90	NBR	SIA-1488
OR19000800-61	8.00	1.90	FKM	SIA-2868
OR20000800-10	8.00	2.00	NBR	SIA-1147
OR20000800-L5	8.00	2.00	PU	POA-138

Bold sizes are readily available in stock.
Other material are available on request.

Part No.	d	c/s	Material	Mould No.
OR20000800-64	8.00	2.00	FKM	SIA-146
OR20000800-66	8.00	2.00	FKM	SIA-1917
OR20000800-08	8.00	2.00	NBR	SIA-990
OR20000800-L3	8.00	2.00	AFLAS	SIA-2474
OR20000800-U4	8.00	2.00	EPDM	SIA-2512
OR20000800-62	8.00	2.00	FKM	SIA-2457
OR20000800-10	8.00	2.00	NBR	SIA-2953
OR21000800-64	8.00	2.10	FKM	SIA-2352
OR21000800-08	8.00	2.10	NBR	SIA-2726
OR22000800-08	8.00	2.20	NBR	SIA-880
OR22000800-64	8.00	2.20	FKM	SIA-2385
OR23000800-64	8.00	2.30	FKM	SIA-1714
OR23000800-08	8.00	2.30	NBR	SIA-512
OR23000800-T5	8.00	2.30	EPDM	SIA-2239
OR23300800-64	8.00	2.33	FKM	SIA-2371
OR24000800-64	8.00	2.40	FKM	SIA-1331
OR24000800-08	8.00	2.40	NBR	SIA-1706
OR25000800-08	8.00	2.50	NBR	SIA-384
OR25000800-64	8.00	2.50	FKM	SIA-539
OR25000800-43	8.00	2.50	VMQ	SIA-3021
OR25000800-64	8.00	2.50	HNBR	SIA-2033
OR26000800-08	8.00	2.60	NBR	SIA-2627
OR26200800-08	8.00	2.62	NBR	SIA-3289
OR30000800-59	8.00	3.00	PU	POA-316
OR30000800-08	8.00	3.00	NBR	SIA-360
OR30000800-64	8.00	3.00	FKM	SIA-1946
OR30000800-V2	8.00	3.00	NBR	SIA-2539
OR35000800-64	8.00	3.50	FKM	SIA-1212
OR35000800-08	8.00	3.50	NBR	SIA-1926
OR35000800-08	8.00	3.50	NBR	SIA-282
OR35500800-64	8.00	3.55	FKM	SIA-2099
OR40000800-08	8.00	4.00	NBR	SIA-253
OR40000800-43	8.00	4.00	VMQ	SIA-2015
OR45000800-08	8.00	4.50	NBR	SIA-2569
OR50000800-64	8.00	5.00	FKM	SIA-1908
OR50000800-08	8.00	5.00	NBR	SIA-1592
OR15108020-64	8.02	1.51	FKM	SIA-2016
OR14200805-08	8.05	1.42	NBR	SIA-2843
OR19800808-T7	8.08	1.98	FKM	SIA-2343
OR16000810-D5	8.10	1.60	HNBR	SIA-2055
OR16000810-64	8.10	1.60	FKM	SIA-2951
OR20000810-08	8.10	2.00	NBR	SIA-1609
OR35500812-08	8.12	3.55	NBR	SIA-3283
OR14000820-64	8.20	1.40	FKM	SIA-2801
OR15000820-64	8.20	1.50	FKM	SIA-975
OR15200820-64	8.20	1.52	FKM	SIA-2453
OR17800820-64	8.20	1.78	FKM	SIA-1487
OR19000820-64	8.20	1.90	FKM	SIA-2160
OR20000820-64	8.20	2.00	FKM	SIA-2879
OR22000820-08	8.20	2.20	NBR	SIA-2780
OR17500825-08	8.25	1.75	NBR	SIA-705
OR26200825-10	8.25	2.62	NBR	SIA-2704
OR17800829-D5	8.29	1.83	HNBR	SIA-2831
OR12000830-08	8.30	1.20	NBR	SIA-3082
OR17000830-64	8.30	1.70	FKM	SIA-1712
OR17000830-08	8.30	1.70	NBR	SIA-608
OR17800830-08	8.30	1.78	NBR	SIA-1180
OR24000830-32	8.30	2.40	EPDM	SIA-1540
OR24000830-64	8.30	2.40	FKM	SIA-753
OR24000830-L5	8.30	2.40	PU	POA-438
OR25000830-08	8.30	2.50	NBR	SIA-1283
OR25000830-64	8.30	2.50	FKM	SIA-2288
OR26200830-Z1	8.30	2.62	HNBR	SIA-2281
OR26200830-08	8.30	2.62	NBR	SIA-2762
OR12000840-R3	8.40	1.20	PU	POA-376
OR12000840-10	8.40	1.20	NBR	SIA-2115
OR15000840-64	8.40	1.50	FKM	SIA-2102
OR17800840-64	8.40	1.78	FKM	SIA-2718
OR18000840-08	8.40	1.80	NBR	SIA-1186
OR18000840-97	8.40	1.80	VMQ	SIA-2149
OR18000840-BA	8.40	1.80	FKM	SIA-3281
OR19000840-08	8.40	1.90	NBR	SIA-2229
OR20000840-67	8.40	2.00	FKM	SIA-2719

Part No.	d	c/s	Material	Mould No.
OR26200840-10	8.40	2.62	NBR	SIA-2655
OR12000842-08	8.42	1.20	NBR	SIA-829
OR12000842-64	8.42	1.20	FKM	SIA-1709
OR26200845-10	8.45	2.62	NBR	SIA-2703
OR10000850-64	8.50	1.00	FKM	SIA-2332
OR10000850-08	8.50	1.00	NBR	SIA-2155
OR15000850-08	8.50	1.50	NBR	SIA-1286
OR15000850-64	8.50	1.50	FKM	SIA-1702
OR15000850-43	8.50	1.50	VMQ	SIA-1418
OR15000850-L5	8.50	1.50	PU	POA-473
OR16000850-08	8.50	1.60	NBR	SIA-2504
OR17500850-43	8.50	1.75	VMQ	SIA-1334
OR17500850-08	8.50	1.75	NBR	SIA-1573
OR17800850-64	8.50	1.78	FKM	SIA-2295
OR18000850-10	8.50	1.80	NBR	SIA-1152
OR20000850-64	8.50	2.00	FKM	SIA-1205
OR20000850-08	8.50	2.00	NBR	SIA-157
OR20000850-R1	8.50	2.00	FVMQ	SIA-2941
OR20000850-O4	8.50	2.00	FKM	SIA-3093
OR20000850-L5	8.50	2.00	PU	POA-546
OR22000850-08	8.50	2.20	NBR	SIA-2598
OR22000850-64	8.50	2.20	FKM	SIA-3307
OR22500850-64	8.50	2.25	FKM	SIA-1820
OR23000850-06	8.50	2.30	NBR	SIA-2603
OR25000850-08	8.50	2.50	NBR	SIA-1110
OR25000850-T2	8.50	2.50	VMQ	SIA-2424
OR25000850-41	8.50	2.50	VMQ	SIA-2923
OR26200850-08	8.50	2.62	NBR	SIA-2041
OR26500850-64	8.50	2.65	FKM	SIA-1641
OR27000850-08	8.50	2.70	NBR	SIA-484
OR27500850-08	8.50	2.75	NBR	SIA-1682
OR27500850-64	8.50	2.75	FKM	SIA-784
OR30000850-18	8.50	3.00	CR	SIA-3202
OR32000850-08	8.50	3.20	NBR	SIA-383
OR35000850-08	8.50	3.50	NBR	SIA-295
OR45000850-08	8.50	4.50	NBR	SIA-2274
OR60000850-20	8.50	6.00	CR	SIA-2689
OR12000860-64	8.60	1.20	FKM	SIA-2802
OR19000860-64	8.60	1.90	FKM	SIA-903
OR24000860-08	8.60	2.40	NBR	SIA-794
OR26200865-10	8.65	2.62	NBR	SIA-2702
OR12000870-75	8.70	1.20	AFLAS	SIA-3150
OR15000870-08	8.70	1.50	NBR	SIA-264
OR16000870-64	8.70	1.60	FKM	SIA-1713
OR16000870-08	8.70	1.60	NBR	SIA-189
OR17000870-64	8.70	1.70	FKM	SIA-1718
OR17500870-08	8.70	1.75	NBR	SIA-599
OR20000870-08	8.70	2.00	NBR	SIA-139
OR20000870-65	8.70	2.00	FKM	SIA-2913
OR21000870-08	8.70	2.10	NBR	SIA-1542
OR26200870-64	8.70	2.62	FKM	SIA-1724
OR26200870-08	8.70	2.62	NBR	SIA-1006
OR17800873-64	8.73	1.78	FKM	SIA-1563
OR17800873-08	8.73	1.78	NBR	SIA-931
OR17800873-64	8.73	1.78	FKM	SIA-760
OR19800873-64	8.73	1.98	FKM	SIA-1720
OR16000874-M1	8.74	1.60	HNBR	SIA-2973
OR12500875-08	8.75	1.25	NBR	SIA-2492
OR18000875-P5	8.75	1.80	NBR	SIA-1647
OR26200878-06	8.78	2.62	NBR	SIA-2321
OR10000880-08	8.80	1.00	NBR	SIA-3166
OR10000880-65	8.80	1.00	FKM	SIA-3207
OR15000880-64	8.80	1.50	FKM	SIA-1639
OR19000880-11	8.80	1.60	NBR	SIA-1565
OR18000880-08	8.80	1.80	NBR	SIA-1827
OR19000890-64	8.80	1.90	FKM	SIA-1456
OR19000880-08	8.80	1.90	NBR	SIA-962
OR19000880-08	8.80	1.90	NBR	SIA-2678
OR20000880-64	8.80	2.00	FKM	SIA-1722
OR25000880-08	8.80	2.50	NBR	SIA-2746
OR25000880-D6	8.80	2.50	HNBR	SIA-3033
OR31000880-08	8.80	3.10	NBR	SIA-2273
OR38000880-64	8.80	3.80	FKM	SIA-1725

Bold sizes are readily available in stock.
 Other material are available on request.

Part No.	d	c/s	Material	Mould No.
OR17000885-64	8.85	1.70	FKM	SIA-3086
OR26200885-10	8.85	2.62	NBR	SIA-2701
OR15000889-64	8.89	1.50	FKM	SIA-1464
OR13000890-64	8.90	1.30	FKM	SIA-2172
OR17800890-11	8.90	1.78	NBR	SIA-2042
OR18300890 -11	8.90	1.83	NBR	SIA-763
OR19000890-08	8.90	1.90	NBR	SIA-1114
OR19000890-08	8.90	1.90	NBR	SIA-111
OR19000890-41	8.90	1.90	VMQ	SIA-2650
OR27000890-08	8.90	2.70	NBR	SIA-1846
OR27000890-64	8.90	2.70	FKM	SIA-1637
OR18300892-11	8.92	1.83	NBR	SIA-1936
OR18300892-32	8.92	1.83	EPDM	SIA-1934
OR18300892-64	8.92	1.83	FKM	SIA-2554
OR10000900-64	9.00	1.00	FKM	SIA-1226
OR10000900-08	9.00	1.00	NBR	SIA-251
OR10000900-10	9.00	1.00	NBR	SIA-1417
OR10000900-11	9.00	1.00	NBR	SIA-1635
OR11000900-64	9.00	1.10	FKM	SIA-1980
OR12000900-08	9.00	1.20	NBR	SIA-815
OR12000900-64	9.00	1.20	FKM	SIA-3287
OR15000900-64	9.00	1.50	FKM	SIA-747
OR15000900-08	9.00	1.50	NBR	SIA-430
OR15000900-43	9.00	1.50	VMQ	SIA-2093
OR15000900-67	9.00	1.50	FKM	SIA-1606
OR15000900-L3	9.00	1.50	AFLAS	SIA-2824
OR16000900-64	9.00	1.60	FKM	SIA-1666
OR16000900-L5	9.00	1.60	PU	POA-528
OR17000900-08	9.00	1.70	NBR	SIA-691
OR17500900-08	9.00	1.75	NBR	SIA-2287
OR17500900-64	9.00	1.75	FKM	SIA-1118
OR17800900-T9	9.00	1.78	FKM	SIA-2731
OR17800900-S4	9.00	1.78	HNBR	SIA-3092
OR18000900-08	9.00	1.80	NBR	SIA-1326
OR18000900-64	9.00	1.80	FKM	SIA-2676
OR18000900-L5	9.00	1.80	PU	POA-530
OR18000900-R1	9.00	1.80	FVMQ	SIA-3254
OR18500900-64	9.00	1.85	FKM	SIA-1239
OR19000900-08	9.00	1.90	NBR	SIA-878
OR19000900-64	9.00	1.90	FKM	SIA-2668
OR19600900-08	9.00	1.96	NBR	SIA-2647
OR20000900-64	9.00	2.00	FKM	SIA-1184
OR20000900-08	9.00	2.00	NBR	SIA-118
OR20000900-11	9.00	2.00	NBR	SIA-1899
OR21200900-64	9.00	2.12	FKM	SIA-3226
OR22000900-43	9.00	2.20	VMQ	SIA-1499
OR22000900-67	9.00	2.20	FKM	SIA-842
OR22400900-08	9.00	2.24	NBR	SIA-1128
OR23000900-08	9.00	2.30	NBR	SIA-1687
OR23500900-64	9.00	2.35	FKM	SIA-2232
OR24000900-67	9.00	2.40	FKM	SIA-1876
OR24000900-32	9.00	2.40	EPDM	SIA-1537
OR25000900-64	9.00	2.50	FKM	SIA-1163
OR25000900-08	9.00	2.50	NBR	SIA-222
OR25000900-23	9.00	2.50	CR	SIA-2310
OR26200900-08	9.00	2.62	NBR	SIA-2540
OR26500900-67	9.00	2.65	FKM	SIA-1247
OR26500900-64	9.00	2.65	FKM	SIA-1963
OR30000900-T5	9.00	3.00	EPDM	SIA-2240
OR30000900-64	9.00	3.00	FKM	SIA-1476
OR30000900-08	9.00	3.00	NBR	SIA-269
OR30000900-V2	9.00	3.00	NBR	SIA-2454
OR32000900-08	9.00	3.20	NBR	SIA-2222
OR33000900-08	9.00	3.30	NBR	SIA-2663
OR35000900-08	9.00	3.50	NBR	SIA-536
OR37500900-08	9.00	3.75	NBR	SIA-2782
OR40000900-40	9.00	4.00	VMQ	SIA-2202
OR40000900-20	9.00	4.00	CR	SIA-1514
OR40000900-D5	9.00	4.00	HNBR	SIA-887
OR40000900-64	9.00	4.00	FKM	SIA-2629
OR40000900-T9	9.00	4.00	FKM	SIA-2964
OR45000900-08	9.00	4.50	NBR	SIA-644
OR50000900-08	9.00	5.00	NBR	SIA-2246

Part No.	d	c/s	Material	Mould No.
OR50000900-64	9.00	5.00	FKM	SIA-2406
OR50000900-32	9.00	5.00	EPDM	SIA-2890
OR55000900-08	9.00	5.50	NBR	SIA-650
OR55000900-64	9.00	5.50	FKM	SIA-1870
OR60000900-08	9.00	6.00	NBR	SIA-2756
OR60000900-64	9.00	6.00	FKM	SIA-3069
OR11000910-20	9.10	1.10	CR	SIA-3042
OR16000910-08	9.10	1.60	NBR	SIA-494
OR35300911-C3	9.11	3.53	XNBR	SIA-1268
OR35300912-64	9.12	3.53	FKM	SIA-2057
OR35300912-08	9.12	3.53	NBR	SIA-293
OR35300912-62	9.12	3.53	FKM	SIA-2413
OR11400918-08	9.18	1.14	NBR	SIA-2753
OR16300919-08	9.19	1.63	NBR	SIA-1265
OR17800919-C3	9.19	1.78	XNBR	SIA-1267
OR26200919-32	9.19	2.62	EPDM	SIA-1295
OR26200919-08	9.19	2.62	NBR	SIA-1171
OR26200919-64	9.19	2.62	FKM	SIA-1107
OR26200919-08	9.19	2.62	NBR	SIA-325
OR26200919-09	9.19	2.62	NBR	SIA-646
OR26200919-41	9.19	2.62	VMQ	SIA-2088
OR26200919-D5	9.19	2.62	HNBR	SIA-2922
OR26200919-06	9.19	2.62	NBR	SIA-3151
OR14000920-64	9.20	1.40	FKM	SIA-2800
OR15000920-10	9.20	1.50	NBR	SIA-1111
OR17000920-64	9.20	1.70	FKM	SIA-1719
OR17000920-08	9.20	1.70	NBR	SIA-2900
OR18000920-08	9.20	1.80	NBR	SIA-1588
OR19000920-64	9.20	1.90	FKM	SIA-2168
OR20000920-20	9.20	2.00	CR	SIA-2023
OR35300920-89	9.20	3.53	PU	POA-351
OR17800924-D5	9.24	1.78	HNBR	SIA-2561
OR16800925-08	9.25	1.68	NBR	SIA-1079
OR17800925-64	9.25	1.78	FKM	SIA-1063
OR17800925-64	9.25	1.78	FKM	SIA-708
OR17800925-08	9.25	1.78	NBR	SIA-732
OR17800925-11	9.25	1.78	NBR	SIA-2393
OR17800925-28	9.25	1.78	EPDM	SIA-2446
OR17800925-L3	9.25	1.78	AFLAS	SIA-2786
OR17800925-35	9.25	1.78	EPDM	SIA-3124
OR19000925-64	9.25	1.90	FKM	SIA-2682
OR26200925-10	9.25	2.62	NBR	SIA-2700
OR10000930-08	9.30	1.00	NBR	SIA-3255
OR13500930-64	9.30	1.35	FKM	SIA-1717
OR13500930-08	9.30	1.35	NBR	SIA-686
OR15000930-08	9.30	1.50	NBR	SIA-1552
OR15000930-08	9.30	1.50	FKM	SIA-410
OR16000930-10	9.30	1.60	NBR	SIA-124
OR17000930-64	9.30	1.70	FKM	SIA-1721
OR17000930-04	9.30	1.70	NBR	SIA-1351
OR17500930-08	9.30	1.75	NBR	SIA-579
OR18000930-10	9.30	1.80	NBR	SIA-1454
OR18000930-10	9.30	1.80	NBR	SIA-1526
OR20000930-64	9.30	2.00	FKM	SIA-1232
OR22000930-08	9.30	2.20	NBR	SIA-1572
OR22000930-67	9.30	2.20	FKM	SIA-2017
OR24000930-08	9.30	2.40	NBR	SIA-840
OR24000930-64	9.30	2.40	FKM	SIA-1620
OR25000930-L5	9.30	2.50	PU	POA-331
OR27000930-64	9.30	2.70	FKM	SIA-1716
OR14500935-43	9.35	1.45	VMQ	SIA-3133
OR21500935-08	9.35	2.15	NBR	SIA-2917
OR12000940-11	9.40	1.20	NBR	SIA-2123
OR15000940-10	9.40	1.50	NBR	SIA-2944
OR16500940-08	9.40	1.65	NBR	SIA-2348
OR21000940-64	9.40	2.10	FKM	SIA-1723
OR21000940-08	9.40	2.10	NBR	SIA-845
OR21000940-34	9.40	2.10	EPDM	SIA-2220
OR22900940-94	9.40	2.29	FKM	SIA-1715
OR24000940-64	9.40	2.40	FKM	SIA-1379
OR26200940-66	9.40	2.62	FKM	SIA-3162
OR30000940-64	9.40	3.00	FKM	SIA-3064
OR31000940-08	9.40	3.10	NBR	SIA-2520

Bold sizes are readily available in stock.
Other material are available on request.

Part No.	d	c/s	Material	Mould No.
OR26200945-10	9.45	2.62	NBR	SIA-2699
OR15000946-43	9.46	1.50	VMQ	SIA-3134
OR10000950-43	9.50	1.00	VMQ	SIA-2591
OR10000950-08	9.50	1.00	NBR	SIA-2790
OR12500950-64	9.50	1.25	FKM	SIA-2686
OR13000950-97	9.50	1.30	SBR	SIA-2892
OR14000950-08	9.50	1.40	NBR	SIA-2007
OR15000950-08	9.50	1.50	NBR	SIA-520
OR15000950-08	9.50	1.50	NBR	SIA-477
OR15000950-64	9.50	1.50	FKM	SIA-1187
OR16000950-08	9.50	1.60	NBR	SIA-268
OR17500950-08	9.50	1.75	NBR	SIA-1798
OR17800950-66	9.50	1.78	FKM	SIA-1740
OR18000950-66	9.50	1.80	FKM	SIA-1022
OR18000950-08	9.50	1.80	NBR	SIA-382
OR18000950-64	9.50	1.80	FKM	SIA-1901
OR18500950-08	9.50	1.85	NBR	SIA-1208
OR20000950-64	9.50	2.00	FKM	SIA-1949
OR20000950-08	9.50	2.00	NBR	SIA-684
OR22500950-08	9.50	2.25	NBR	SIA-2841
OR25000950-64	9.50	2.50	FKM	SIA-1686
OR25000950-08	9.50	2.50	NBR	SIA-230
OR26000950-08	9.50	2.60	NBR	SIA-2314
OR26200950-08	9.50	2.62	NBR	SIA-2873
OR27000950-08	9.50	2.70	NBR	SIA-343
OR29000950-08	9.50	2.90	NBR	SIA-2864
OR30000950-08	9.50	3.00	NBR	SIA-1055
OR30000950-08	9.50	3.00	NBR	SIA-672
OR37500950-08	9.50	3.75	NBR	SIA-544
OR41500950-89	9.50	4.15	PU	POA-304
OR60000950-08	9.50	6.00	NBR	SIA-1037
OR15800952-08	9.52	1.58	NBR	SIA-1292
OR15800952-66	9.52	1.58	FKM	SIA-170
OR15900952-08	9.52	1.59	NBR	SIA-630
OR23800952-08	9.52	2.38	NBR	SIA-2043
OR31700952-08	9.52	3.17	NBR	SIA-1397
OR69900952-20	9.52	6.99	CR	SIA-2487
OR16000953-08	9.53	1.60	NBR	SIA-143
OR26200959-08	9.59	2.62	NBR	SIA-2094
OR12000960-32	9.60	1.20	EPDM	SIA-3062
OR20000960-64	9.60	2.00	FKM	SIA-3087
OR22000960-67	9.60	2.20	FKM	SIA-3015
OR23000960-97	9.60	2.30	VMQ	SIA-1230
OR23000960-08	9.60	2.30	NBR	SIA-2276
OR23000960-66	9.60	2.30	FKM	SIA-2319
OR24000960-08	9.60	2.40	NBR	SIA-1626
OR24000960-67	9.60	2.40	FKM	SIA-851
OR30000960-64	9.60	3.00	FKM	SIA-2978
OR32000960-08	9.60	3.20	NBR	SIA-621
OR32000960-08	9.60	3.20	NBR	SIA-2011
OR25800964-64	9.64	2.58	FKM	SIA-1613
OR26200965-10	9.65	2.62	NBR	SIA-2698
OR12000970-64	9.70	1.20	FKM	SIA-2870
OR17800975-08	9.75	1.78	NBR	SIA-1441
OR17800975-04	9.75	1.78	FKM	SIA-2390
OR24000975-D5	9.75	2.40	HNBR	SIA-1485
OR25000975-64	9.75	2.50	FKM	SIA-2166
OR11400977-T7	9.77	1.14	FKM	SIA-2344
OR10000980-32	9.80	1.00	EPDM	SIA-2815
OR16000980-T7	9.80	1.60	FKM	SIA-2422
OR16000980-L5	9.80	1.60	PU	POA-466
OR17000980-L5	9.80	1.70	PU	POA-467
OR19000980-64	9.80	1.90	FKM	SIA-1197
OR19000980-66	9.80	1.90	FKM	SIA-1115
OR19000980-08	9.80	1.90	NBR	SIA-846
OR20000980-08	9.80	2.00	NBR	SIA-2294
OR23000980-08	9.80	2.30	NBR	SIA-507
OR23000980-67	9.80	2.30	FKM	SIA-2761
OR24000980-08	9.80	2.40	NBR	SIA-1011
OR26200983-64	9.83	2.62	FKM	SIA-1335
OR26200985-10	9.85	2.62	NBR	SIA-2697
OR15000989-67	9.89	1.50	FKM	SIA-889
OR15000989-10	9.89	1.50	NBR	SIA-2234

Part No.	d	c/s	Material	Mould No.
OR26200990-06	9.90	2.62	NBR	SIA-1084
OR28000990-08	9.90	2.80	NBR	SIA-1384
OR30000990-04	9.90	3.00	NBR	SIA-1559
OR26200992-09	9.92	2.62	NBR	SIA-1325
OR26200992-39	9.92	2.62	VMQ	SIA-2728
OR26200993-66	9.93	2.62	FKM	SIA-929
OR10001000-64	10.00	1.00	FKM	SIA-2228
OR10001000-08	10.00	1.00	NBR	SIA-252
OR11501000-64	10.00	1.15	FKM	SIA-1807
OR12501000-64	10.00	1.25	FKM	SIA-2025
OR12501000-08	10.00	1.25	NBR	SIA-2910
OR15001000-64	10.00	1.50	FKM	SIA-1076
OR15001000-08	10.00	1.50	NBR	SIA-210
OR16001000-20	10.00	1.60	CR	SIA-1558
OR16001000-64	10.00	1.60	FKM	SIA-2414
OR16001000-08	10.00	1.60	NBR	SIA-3277
OR17001000-08	10.00	1.70	NBR	SIA-456
OR17501000-64	10.00	1.75	FKM	SIA-1451
OR17501000-08	10.00	1.75	NBR	SIA-2983
OR18001000-08	10.00	1.80	NBR	SIA-226
OR18001000-64	10.00	1.80	FKM	SIA-1996
OR18001000-43	10.00	1.80	VMQ	SIA-2680
OR18001000-D5	10.00	1.80	HNBR	SIA-2986
OR19001000-64	10.00	1.90	FKM	SIA-1756
OR19001000-08	10.00	1.90	NBR	SIA-3189
OR20001000-L5	10.00	2.00	PU	POA-402
OR20001000-64	10.00	2.00	FKM	SIA-1508
OR20001000-64	10.00	2.00	FKM	SIA-1164
OR20001000-08	10.00	2.00	NBR	SIA-1021
OR20001000-08	10.00	2.00	NBR	SIA-2026
OR20001000-P5	10.00	2.00	NBR	SIA-373
OR20001000-08	10.00	2.00	NBR	SIA-212
OR20001000-T5	10.00	2.00	EPDM	SIA-3002
OR20001000-10	10.00	2.00	NBR	SIA-3008
OR20001000-66	10.00	2.00	FKM	SIA-3049
OR20001000-43	10.00	2.00	VMQ	SIA-3080
OR21001000-08	10.00	2.10	NBR	SIA-1050
OR21001000-08	10.00	2.10	NBR	SIA-2735
OR21501000-64	10.00	2.15	FKM	SIA-2508
OR22001000-08	10.00	2.20	NBR	SIA-1003
OR22001000-64	10.00	2.20	FKM	SIA-1391
OR23001000-08	10.00	2.30	NBR	SIA-134
OR24001000-08	10.00	2.40	NBR	SIA-1199
OR24001000-64	10.00	2.40	FKM	SIA-896
OR25001000-10	10.00	2.50	NBR	SIA-1545
OR25001000-08	10.00	2.50	NBR	SIA-441
OR25001000-59	10.00	2.50	PU	POA-408
OR25001000-64	10.00	2.50	FKM	SIA-1367
OR25001000-10	10.00	2.50	NBR	SIA-2958
OR25001000-41	10.00	2.50	VMQ	SIA-2851
OR26001000-64	10.00	2.60	FKM	SIA-1703
OR26201000-43	10.00	2.62	VMQ	SIA-2665
OR26501000-08	10.00	2.65	NBR	SIA-1097
OR28001000-08	10.00	2.80	NBR	SIA-2527
OR30001000-08	10.00	3.00	NBR	SIA-452
OR30001000-64	10.00	3.00	FKM	SIA-2121
OR30001000-L5	10.00	3.00	PU	POA-547
OR31001000-08	10.00	3.10	NBR	SIA-2959
OR31001000-66	10.00	3.10	FKM	SIA-3157
OR33001000-08	10.00	3.30	FKM	SIA-1018
OR33001000-Q2	10.00	3.30	PU	POA-548
OR35001000-08	10.00	3.50	NBR	SIA-574
OR35001000-43	10.00	3.50	VMQ	SIA-1885
OR40001000-89	10.00	4.00	PU	POA-305
OR40001000-08	10.00	4.00	NBR	SIA-906
OR40001000-64	10.00	4.00	FKM	SIA-2601
OR45001000-08	10.00	4.50	NBR	SIA-2568
OR50001000-64	10.00	5.00	FKM	SIA-1535
OR50001000-08	10.00	5.00	NBR	SIA-398
OR13201003-08	10.03	1.32	NBR	SIA-1789
OR10001010-08	10.10	1.00	NBR	SIA-3167
OR13001010-64	10.10	1.30	FKM	SIA-2231
OR16001010-64	10.10	1.60	FKM	SIA-2279

Bold sizes are readily available in stock.
 Other material are available on request.

Part No.	d	c/s	Material	Mould No.
OR16001010-08	10.10	1.60	NBR	SIA-1967
OR18001010-64	10.10	1.80	FKM	SIA-1229
OR26201011-10	10.11	2.62	NBR	SIA-2696
OR25301017-64	10.17	2.53	FKM	SIA-2946
OR17201018-11	10.18	1.72	NBR	SIA-1802
OR12001020-AU	10.20	1.20	FKM	SIA-2336
OR14501020-64	10.20	1.45	FKM	SIA-1782
OR15001020-64	10.20	1.50	FKM	SIA-2431
OR17001020-64	10.20	1.70	FKM	SIA-3088
OR17801020-08	10.20	1.78	NBR	SIA-1924
OR24001020-39	10.20	2.40	VMQ	SIA-2710
OR25001020-08	10.20	2.50	NBR	SIA-2324
OR25001020-45	10.20	2.50	VMQ	SIA-1955
OR32001020-08	10.20	3.20	NBR	SIA-1693
OR17801028-64	10.28	1.78	FKM	SIA-1492
OR17801028-08	10.28	1.78	NBR	SIA-362
OR12001030-43	10.30	1.20	VMQ	SIA-2834
OR15801030-D5	10.30	1.58	HNBR	SIA-1220
OR17501030-08	10.30	1.75	NBR	SIA-3131
OR22001030-08	10.30	2.20	NBR	SIA-1654
OR24001030-66	10.30	2.40	FKM	SIA-1312
OR24001030-08	10.30	2.40	NBR	SIA-164
OR26001030-08	10.30	2.60	NBR	SIA-2486
OR53301030-64	10.30	5.33	FKM	SIA-3245
OR25301038-08	10.38	2.53	NBR	SIA-1987
OR10001040-08	10.40	1.00	NBR	SIA-2738
OR12001040-11	10.40	1.20	NBR	SIA-2122
OR13001040-64	10.40	1.30	FKM	SIA-2167
OR18001040-08	10.40	1.80	NBR	SIA-1549
OR18001040-20	10.40	1.80	CR	SIA-1461
OR18001040-64	10.40	1.80	FKM	SIA-2830
OR19001040-08	10.40	1.90	NBR	SIA-2760
OR55005250-10	10.40	2.00	NBR	SIA-1346
OR28001040-32	10.40	2.80	EPDM	SIA-2823
OR53301046-64	10.46	5.33	FKM	SIA-781
OR53301046-11	10.46	5.33	NBR	SIA-2766
OR10001050-D5	10.50	1.00	HNBR	SIA-2367
OR10001050-08	10.50	1.00	NBR	SIA-594
OR10001050-45	10.50	1.00	VMQ	SIA-3206
OR15001050-06	10.50	1.50	NBR	SIA-1795
OR18001050-08	10.50	1.80	NBR	SIA-707
OR20001050-66	10.50	2.00	FKM	SIA-1747
OR20001050-08	10.50	2.00	NBR	SIA-1328
OR20001050-64	10.50	2.00	FKM	SIA-1931
OR22001050-32	10.50	2.20	EPDM	SIA-2562
OR22501050-08	10.50	2.25	NBR	SIA-1129
OR23001050-08	10.50	2.30	NBR	SIA-126
OR25001050-08	10.50	2.50	NBR	SIA-622
OR25001050-64	10.50	2.50	FKM	SIA-2949
OR26201050-08	10.50	2.62	NBR	SIA-2758
OR27001050-J3	10.50	2.70	NBR	SIA-791
OR27001050-D5	10.50	2.70	HNBR	SIA-3190
OR28001050-64	10.50	2.80	FKM	SIA-2505
OR30001050-08	10.50	3.00	NBR	SIA-675
OR37501050-08	10.50	3.75	NBR	SIA-2783
OR55001050-08	10.50	5.50	NBR	SIA-2083
OR18301052-08	10.52	1.83	NBR	SIA-817
OR15001060-64	10.60	1.50	FKM	SIA-426
OR18001060-64	10.60	1.80	FKM	SIA-1178
OR24001060-R1	10.60	2.40	FVMQ	SIA-2463
OR24001060-10	10.60	2.40	NBR	SIA-2714
OR26201065-10	10.65	2.62	NBR	SIA-2691
OR19001066-08	10.66	1.98	NBR	SIA-977
OR26201066-64	10.66	2.62	FKM	SIA-1566
OR35301069-64	10.69	3.53	FKM	SIA-2184
OR35301069-08	10.69	3.53	NBR	SIA-1741
OR35301069-32	10.69	3.53	EPDM	SIA-1941
OR35301069-08	10.69	3.53	NBR	SIA-676
OR17001070-64	10.70	1.70	FKM	SIA-939
OR18001070-08	10.70	1.80	NBR	SIA-524
OR25501070-08	10.70	2.55	NBR	SIA-2717
OR26001070-64	10.70	2.60	FKM	SIA-3273
OR27001070-08	10.70	2.70	NBR	SIA-292

Part No.	d	c/s	Material	Mould No.
OR31501070-64	10.70	3.15	FKM	SIA-1262
OR26201074-08	10.74	2.62	NBR	SIA-1842
OR16001075-66	10.75	1.60	FKM	SIA-1660
OR23801076-08	10.76	2.38	NBR	SIA-721
OR26101076-11	10.76	2.61	NBR	SIA-935
OR26201076-43	10.76	2.62	VMQ	SIA-3262
OR26201077-32	10.77	2.62	EPDM	SIA-1224
OR26201077-08	10.77	2.62	NBR	SIA-1161
OR26201077-08	10.77	2.62	NBR	SIA-964
OR26201077-64	10.77	2.62	FKM	SIA-752
OR26201077-BA	10.77	2.62	FKM	SIA-3228
OR26201077-S4	10.77	2.62	HNBR	SIA-3096
OR35301077-08	10.77	3.53	NBR	SIA-1858
OR52401077-11	10.77	5.24	NBR	SIA-2400
OR26201078-08	10.78	2.62	NBR	SIA-1960
OR26201078-08	10.78	2.62	NBR	SIA-1892
OR26201078-23	10.78	2.62	CR	SIA-3090
OR18001080-67	10.80	1.80	FKM	SIA-1048
OR18001080-64	10.80	1.80	FKM	SIA-2451
OR18001080-08	10.80	1.80	NBR	SIA-2502
OR18001080-D5	10.80	1.80	HNBR	SIA-2590
OR19001080-10	10.80	1.90	NBR	SIA-2159
OR22001080-08	10.80	2.20	NBR	SIA-1889
OR22001080-64	10.80	2.20	FKM	SIA-844
OR24001080-66	10.80	2.40	FKM	SIA-1013
OR24001080-D5	10.80	2.40	HNBR	SIA-2658
OR25001080-43	10.80	2.50	VMQ	SIA-2080
OR26001080-32	10.80	2.60	EPDM	SIA-2711
OR26201080-06	10.80	2.62	NBR	SIA-1132
OR26201080-43	10.80	2.62	VMQ	SIA-2859
OR28501080-64	10.80	2.85	FKM	SIA-3035
OR34001080-64	10.80	3.40	FKM	SIA-3299
OR35001080-11	10.80	3.50	NBR	SIA-2237
OR17801082-08	10.82	1.78	NBR	SIA-1000
OR17801082-S4	10.82	1.78	HNBR	SIA-1764
OR17801082-64	10.82	1.78	FKM	SIA-988
OR63501084-08	10.84	6.35	NBR	SIA-1610
OR26201085-10	10.85	2.62	NBR	SIA-2692
OR12001090-R3	10.90	1.20	PU	POA-375
OR12001090-11	10.90	1.20	NBR	SIA-2111
OR18001080-64	10.90	1.90	NBR	SIA-471
OR19001090-43	10.90	1.90	VMQ	SIA-1382
OR23001090-08	10.90	2.30	NBR	SIA-1449
OR23001090-08	10.90	2.30	NBR	SIA-1872
OR26201090-L5	10.90	2.62	PU	POA-542
OR64001090-06	10.90	6.40	FKM	SIA-2779
OR10001100-08	11.00	1.00	NBR	SIA-1139
OR10001100-64	11.00	1.00	FKM	SIA-2516
OR10001100-64	11.00	1.00	FKM	SIA-3040
OR12501100-43	11.00	1.25	VMQ	SIA-2685
OR13001100-08	11.00	1.30	NBR	SIA-3031
OR15001100-64	11.00	1.50	FKM	SIA-1150
OR15001100-64	11.00	1.50	FKM	SIA-1768
OR15001100-08	11.00	1.50	NBR	SIA-549
OR15001100-D6	11.00	1.50	HNBR	SIA-3171
OR16001100-R3	11.00	1.60	PU	POA-455
OR16501100-64	11.00	1.65	FKM	SIA-1811
OR17001100-87	11.00	1.70	PU	POA-395
OR17501100-08	11.00	1.75	NBR	SIA-610
OR17701100-08	11.00	1.77	NBR	SIA-1277
OR18001100-08	11.00	1.80	NBR	SIA-378
OR18001100-L5	11.00	1.80	PU	POA-344
OR18001100-26	11.00	1.80	FKM	SIA-2943
OR19001100-08	11.00	1.90	NBR	SIA-2127
OR20001100-L5	11.00	2.00	PU	POA-365
OR20001100-64	11.00	2.00	FKM	SIA-1316
OR20001100-43	11.00	2.00	VMQ	SIA-1415
OR20001100-10	11.00	2.00	NBR	SIA-301
OR20001100-08	11.00	2.00	NBR	SIA-505
OR20001100-35	11.00	2.00	EPDM	SIA-2448
OR20001100-D5	11.00	2.00	HNBR	SIA-2478
OR20001100-BA	11.00	2.00	FKM	SIA-3282
OR22501100-08	11.00	2.25	NBR	SIA-2282

Bold sizes are readily available in stock.
Other material are available on request.

Part No.	d	c/s	Material	Mould No.
OR22501100-64	11.00	2.25	FKM	SIA-2511
OR24001100-08	11.00	2.40	NBR	SIA-462
OR25001100-66	11.00	2.50	FKM	SIA-1023
OR25001100-08	11.00	2.50	NBR	SIA-260
OR25001100-08	11.00	2.50	NBR	SIA-348
OR25001100-64	11.00	2.50	FKM	SIA-415
OR25001100-43	11.00	2.50	VMQ	SIA-2270
OR25001100-L5	11.00	2.50	PU	POA-494
OR25501100-66	11.00	2.55	FKM	SIA-1481
OR25501100-66	11.00	2.55	FKM	SIA-1024
OR26201100-08	11.00	2.62	NBR	SIA-1066
OR27001100-64	11.00	2.70	FKM	SIA-773
OR27501100-64	11.00	2.75	FKM	SIA-2810
OR28001100-08	11.00	2.80	NBR	SIA-2930
OR30001100-L5	11.00	3.00	PU	POA-348
OR30001100-64	11.00	3.00	FKM	SIA-1511
OR30001100-08	11.00	3.00	NBR	SIA-333
OR30001100-66	11.00	3.00	FKM	SIA-1806
OR32001100-08	11.00	3.20	NBR	SIA-1369
OR32001100-67	11.00	3.20	FKM	SIA-2749
OR35001100-43	11.00	3.50	VMQ	SIA-1494
OR35001100-08	11.00	3.50	NBR	SIA-808
OR35001100-67	11.00	3.50	FKM	SIA-2771
OR40001100-08	11.00	4.00	NBR	SIA-247
OR40001100-08	11.00	4.00	FKM	SIA-1855
OR40001100-41	11.00	4.00	VMQ	SIA-2852
OR45001100-08	11.00	4.50	NBR	SIA-569
OR50001100-43	11.00	5.00	VMQ	SIA-3118
OR26201105-10	11.05	2.62	NBR	SIA-2695
OR1200011100-66	11.10	1.20	FKM	SIA-2772
OR16001110-08	11.10	1.60	NBR	SIA-266
OR16001111-64	11.10	1.60	FKM	SIA-1323
OR15801111-38	11.11	1.58	VMQ	SIA-1248
OR17801111-64	11.11	1.78	FKM	SIA-1142
OR23801111-08	11.11	2.38	NBR	SIA-1483
OR23801111-64	11.11	2.38	FKM	SIA-1599
OR20801113-08	11.13	2.08	NBR	SIA-1864
OR15001120-08	11.20	1.50	NBR	SIA-739
OR18001120-08	11.20	1.80	NBR	SIA-1582
OR19000112-64	11.20	1.90	FKM	SIA-2384
OR20001120-64	11.20	2.00	FKM	SIA-2637
OR24001120-64	11.20	2.40	FKM	SIA-1457
OR26501120-T9	11.20	2.65	FKM	SIA-2620
OR27501120-10	11.20	2.75	NBR	SIA-2904
OR26201125-10	11.25	2.62	NBR	SIA-2694
OR60201126-41	11.26	6.02	VMQ	SIA-3173
OR13001130-08	11.30	1.30	NBR	SIA-402
OR15001130-32	11.30	1.50	EPDM	SIA-2087
OR18501130-64	11.30	1.85	FKM	SIA-2006
OR22001130-66	11.30	2.20	FKM	SIA-918
OR22001130-11	11.30	2.20	NBR	SIA-2191
OR22001130-11	11.30	2.20	NBR	SIA-1525
OR22001130-D5	11.30	2.20	HNBR	SIA-2497
OR24001130-08	11.30	2.40	NBR	SIA-329
OR24001130-08	11.30	2.40	NBR	SIA-232
OR24001130-63	11.30	2.40	FKM	SIA-2524
OR24001130-D5	11.30	2.40	HNBR	SIA-2985
OR26201130-08	11.30	2.62	NBR	SIA-855
OR23001138-20	11.38	2.30	CR	SIA-3028
OR24001139-08	11.39	2.40	NBR	SIA-2200
OR10001140-43	11.40	1.00	VMQ	SIA-2441
OR12001140-10	11.40	1.20	NBR	SIA-130
OR18001140-08	11.40	1.80	NBR	SIA-521
OR20001140-64	11.40	2.00	FKM	SIA-737
OR23001140-08	11.40	2.30	NBR	SIA-1942
OR26201143-10	11.43	2.62	NBR	SIA-2693
OR29001145-08	11.45	2.90	NBR	SIA-2360
OR10001150-08	11.50	1.00	NBR	SIA-2242
OR15001150-64	11.50	1.50	FKM	SIA-1903
OR15001150-08	11.50	1.50	NBR	SIA-1853
OR16001150-08	11.50	1.60	NBR	SIA-455
OR17001150-08	11.50	1.70	NBR	SIA-1547
OR17501150-08	11.50	1.75	NBR	SIA-1256

Part No.	d	c/s	Material	Mould No.
OR19001150-64	11.50	1.90	FKM	SIA-1915
OR20001150-64	11.50	2.00	FKM	SIA-2179
OR20001150-L5	11.50	2.00	PU	POA-388
OR20001150-08	11.50	2.00	NBR	SIA-213
OR22501150-08	11.50	2.25	NBR	SIA-297
OR22501150-64	11.50	2.25	FKM	SIA-2948
OR24001150-20	11.50	2.40	CR	SIA-2024
OR24001150-67	11.50	2.40	FKM	SIA-2035
OR25001150-D5	11.50	2.50	HNBR	SIA-1734
OR25001150-08	11.50	2.50	NBR	SIA-193
OR25001150-64	11.50	2.50	FKM	SIA-3051
OR26201150-11	11.50	2.62	NBR	SIA-2357
OR27001150-D6	11.50	2.70	HNBR	SIA-3154
OR30001150-08	11.50	3.00	NBR	SIA-401
OR30001150-64	11.50	3.00	FKM	SIA-972
OR30001150-64	11.50	3.00	FKM	SIA-966
OR32001150-08	11.50	3.20	NBR	SIA-308
OR32001150-67	11.50	3.20	FKM	SIA-1428
OR32501150-08	11.50	3.25	NBR	SIA-2712
OR34001150-32	11.50	3.40	EPDM	SIA-2643
OR43001150-08	11.50	4.30	NBR	SIA-2177
OR55001150-64	11.50	5.50	FKM	SIA-1083
OR35301158-64	11.58	3.53	FKM	SIA-2730
OR51501158-08	11.58	5.15	NBR	SIA-1882
OR15001160-64	11.60	1.50	FKM	SIA-1291
OR23001160-67	11.60	2.30	FKM	SIA-862
OR23001160-08	11.60	2.30	NBR	SIA-1127
OR25001160-64	11.60	2.50	FKM	SIA-2225
OR25001160-63	11.60	2.50	FKM	SIA-1438
OR27001160-08	11.60	2.70	NBR	SIA-1482
OR28001160-08	11.60	2.80	NBR	SIA-306
OR34001160-08	11.60	3.40	NBR	SIA-307
OR35001160-08	11.60	3.50	NBR	SIA-2822
OR20001170-64	11.70	2.00	FKM	SIA-1144
OR20001170-09	11.70	2.00	NBR	SIA-2642
OR25001170-66	11.70	2.50	FKM	SIA-104
OR26201170-M1	11.70	2.62	HNBR	SIA-2611
OR17801178-32	11.78	1.78	EPDM	SIA-2961
OR10001180-T7	11.80	1.00	FKM	SIA-2493
OR12001180-T2	11.80	1.20	VMQ	SIA-1953
OR12001180-64	11.80	1.20	FKM	SIA-2468
OR12001180-S4	11.80	1.20	HNBR	SIA-2397
OR12001180-T3	11.80	1.20	EPDM	SIA-2536
OR1400110-T5	11.80	1.40	EPDM	SIA-2565
OR16001180-43	11.80	1.60	VMQ	SIA-1817
OR16001180-08	11.80	1.60	NBR	SIA-2552
OR16001180-64	11.80	1.60	FKM	SIA-2467
OR17501180-08	11.80	1.75	NBR	SIA-437
OR17801180-11	11.80	1.78	NBR	SIA-1051
OR17801180-08	11.80	1.78	NBR	SIA-1219
OR18001180-64	11.80	1.80	FKM	SIA-1959
OR18001180-D5	11.80	1.80	HNBR	SIA-2499
OR19001180-08	11.80	1.90	NBR	SIA-961
OR20001180-08	11.80	2.00	NBR	SIA-2064
OR20001180-64	11.80	2.00	FKM	SIA-3213
OR24001180-08	11.80	2.40	NBR	SIA-1223
OR24001180-66	11.80	2.40	FKM	SIA-1771
OR24001180-08	11.80	2.40	FKM	SIA-1671
OR24001180-08	11.80	2.40	NBR	SIA-801
OR26001180-08	11.80	2.60	NBR	SIA-1251
OR26001180-08	11.80	2.60	NBR	SIA-1222
OR80001180-08	11.80	8.00	NBR	SIB-1778
OR17801188-67	11.88	1.78	FKM	SIA-3005
OR17801189-08	11.89	1.78	NBR	SIA-987
OR17801189-O4	11.89	1.78	FKM	SIA-2389
OR19801189-08	11.89	1.98	NBR	SIA-1674
OR15001190-10	11.90	1.50	NBR	SIA-2116
OR18001190-43	11.90	1.80	VMQ	SIA-1298
OR18001190-64	11.90	1.80	FKM	SIA-706
OR18001190-64	11.90	1.80	FKM	SIA-1994
OR19201190-68	11.90	1.92	FKM	SIA-956
OR26501190-08	11.90	2.65	NBR	SIA-2460
OR26201191-64	11.91	2.62	FKM	SIA-1862

Bold sizes are readily available in stock.
 Other material are available on request.

Part No.	d	c/s	Material	Mould No.
OR26201191-08	11.91	2.62	NBR	SIA-510
OR31001194-64	11.94	3.10	FKM	SIA-1501
OR20501196-84	11.96	2.05	FKM	SIA-1500
OR10001200-08	12.00	1.00	NBR	SIA-1060
OR10001200-08	12.00	1.00	NBR	SIA-585
OR10001200-T9	12.00	1.00	FKM	SIA-1627
OR11001200-11	12.00	1.10	NBR	SIA-2645
OR12001200-43	12.00	1.20	VMQ	SIA-1878
OR15001200-L5	12.00	1.50	PU	POA-204
OR15001200-64	12.00	1.50	FKM	SIA-1285
OR15001200-08	12.00	1.50	NBR	SIA-369
OR15001200-08	12.00	1.50	NBR	SIA-255
OR15001200-T9	12.00	1.50	FKM	SIA-2456
OR15001200-32	12.00	1.50	EPDM	SIA-2481
OR16501200-08	12.00	1.65	NBR	SIA-1977
OR16501200-64	12.00	1.65	FKM	SIA-2338
OR17001200-08	12.00	1.70	NBR	SIA-1305
OR17501200-08	12.00	1.75	NBR	SIA-355
OR17501200-64	12.00	1.75	FKM	SIA-772
OR17501200-08	12.00	1.75	NBR	SIA-2472
OR17801200-08	12.00	1.78	NBR	SIA-1918
OR17801200-66	12.00	1.78	FKM	SIA-1890
OR17801200-64	12.00	1.78	FKM	SIA-2596
OR18001200-64	12.00	1.80	FKM	SIA-1249
OR18001200-08	12.00	1.80	NBR	SIA-860
OR35304016-67	12.00	1.90	FKM	SIA-1983
OR20001200-08	12.00	2.00	NBR	SIA-122
OR20001200-64	12.00	2.00	FKM	SIA-1278
OR20001200-D5	12.00	2.00	HNBR	SIA-1357
OR20001200-67	12.00	2.00	FKM	SIA-679
OR20001200-08	12.00	2.00	NBR	SIA-973
OR20001200-08	12.00	2.00	NBR	SIA-192
OR20001200-D5	12.00	2.00	HNBR	SIA-719
OR20001200-11	12.00	2.00	NBR	SIA-2578
OR20001200-10	12.00	2.00	NBR	SIA-3009
OR20001200-66	12.00	2.00	FKM	SIA-3050
OR22001200-08	12.00	2.20	NBR	SIA-1543
OR22001200-08	12.00	2.20	NBR	SIA-1085
OR22001200-T2	12.00	2.20	VMQ	SIA-3258
OR22501200-64	12.00	2.25	FKM	SIA-1821
OR22501200-32	12.00	2.25	EPDM	SIA-3130
OR23501200-08	12.00	2.35	NBR	SIA-1655
OR25001200-89	12.00	2.50	PU	POA-290
OR25001200-64	12.00	2.50	FKM	SIA-1135
OR25001200-08	12.00	2.50	NBR	SIA-352
OR25001200-43	12.00	2.50	VMQ	SIA-1986
OR25001200-D5	12.00	2.50	HNBR	SIA-2507
OR25001200-06	12.00	2.50	NBR	SIA-2576
OR26201200-08	12.00	2.62	NBR	SIA-1737
OR26001200-08	12.00	2.62	NBR	SIA-2048
OR26201200-D5	12.00	2.62	HNBR	SIA-3119
OR27001200-08	12.00	2.70	NBR	SIA-403
OR27501200-08	12.00	2.75	NBR	SIA-2318
OR30001200-L5	12.00	3.00	PU	POA-405
OR30001200-08	12.00	3.00	NBR	SIA-105
OR30001200-64	12.00	3.00	FKM	SIA-419
OR30001200-D5	12.00	3.00	HNBR	SIA-989
OR32001200-32	12.00	3.20	EPDM	SIA-1047
OR32501200-64	12.00	3.25	FKM	SIA-2593
OR33001200-64	12.00	3.30	FKM	SIA-2709
OR33001200-32	12.00	3.30	EPDM	SIA-2825
OR35001200-89	12.00	3.50	PU	POA-334
OR35001200-08	12.00	3.50	NBR	SIA-473
OR35001200-T2	12.00	3.50	VMQ	SIA-2141
OR40001200-89	12.00	4.00	PU	POA-306
OR40001200-08	12.00	4.00	NBR	SIA-542
OR40001200-43	12.00	4.00	VMQ	SIA-1932
OR45001200-08	12.00	4.50	NBR	SIA-568
OR50001200-08	12.00	5.00	NBR	SIA-447
OR50001200-43	12.00	5.00	VMQ	SIA-1837
OR50001200-64	12.00	5.00	FKM	SIA-2876
OR550001200-64	12.00	5.50	FKM	SIA-2305
OR60001200-41	12.00	6.00	VMQ	SIA-2850

Part No.	d	c/s	Material	Mould No.
OR60001200-64	12.00	6.00	FKM	SIA-3290
OR65001200-08	12.00	6.50	NBR	SIA-2328
OR80001200-08	12.00	8.00	NBR	SIB-3065
OR140001200-08	12.00	14.00	NBR	SIB-3297
OR22601203-08	12.03	2.26	NBR	SIA-2751
OR53301207-64	12.07	5.33	FKM	SIA-947
OR53301207-11	12.07	5.33	NBR	SIA-1998
OR15001210-D6	12.10	1.50	HNBR	SIA-1260
OR16001210-65	12.10	1.60	FKM	SIA-1591
OR16001210-08	12.10	1.60	NBR	SIA-2602
OR22001210-64	12.10	2.20	FKM	SIA-1491
OR23001210-64	12.10	2.30	FKM	SIA-823
OR25501210-64	12.10	2.55	FKM	SIA-2606
OR27001210-64	12.10	2.70	FKM	SIA-1237
OR27001210-08	12.10	2.70	NBR	SIA-1596
OR28001210-64	12.10	2.80	FKM	SIA-2417
OR15001220-08	12.20	1.50	NBR	SIA-2426
OR17801220-64	12.20	1.78	FKM	SIA-1847
OR19001220-08	12.20	1.90	NBR	SIA-1857
OR25001220-64	12.20	2.50	FKM	SIA-2028
OR17801224-66	12.24	1.78	FKM	SIA-1206
OR26501225-11	12.25	2.65	NBR	SIA-1803
OR35301229-64	12.29	3.53	FKM	SIA-2181
OR35301229-08	12.29	3.53	NBR	SIA-149
OR35301229-39	12.29	3.53	VMQ	SIA-3038
OR10001230-08	12.30	1.00	NBR	SIA-3256
OR15001230-43	12.30	1.50	VMQ	SIA-3105
OR17001230-10	12.30	1.70	NBR	SIA-2617
OR17801230-R3	12.30	1.78	PU	POA-446
OR18001230-64	12.30	1.80	FKM	SIA-3179
OR20001230-10	12.30	2.00	NBR	SIA-2621
OR24001230-64	12.30	2.40	FKM	SIA-1202
OR24001230-67	12.30	2.40	FKM	SIA-1760
OR24001230-08	12.30	2.40	NBR	SIA-1092
OR24001230-08	12.30	2.40	NBR	SIA-792
OR25001230-64	12.30	2.50	FKM	SIA-2853
OR26001230-08	12.30	2.60	NBR	SIA-424
OR35001230-11	12.30	3.50	NBR	SIA-2238
OR26201231-64	12.31	2.62	FKM	SIA-2725
OR21601234-08	12.34	2.16	NBR	SIA-2999
OR25901237-64	12.37	2.59	FKM	SIA-1081
OR26201237-64	12.37	2.62	FKM	SIA-1568
OR26201237-11	12.37	2.62	NBR	SIA-1860
OR26201237-08	12.37	2.62	NBR	SIA-728
OR26201237-O4	12.37	2.62	FKM	SIA-2443
OR26201237-59	12.37	2.62	PU	POA-462
OR26201237-T5	12.37	2.62	EPDM	SIA-3183
OR26201237-S4	12.37	2.62	HNBR	SIA-3197
OR26201237-S4	12.37	2.62	HNBR	SIA-3138
OR26401237-31	12.37	2.64	EPDM	SIA-2020
OR12001240-R3	12.40	1.20	PU	POA-373
OR12001240-10	12.40	1.20	NBR	SIA-2112
OR13001240-08	12.40	1.30	NBR	SIA-553
OR15001240-30	12.40	1.50	EPDM	SIA-2250
OR16001240-08	12.40	1.60	NBR	SIA-1400
OR17801240-66	12.40	1.78	FKM	SIA-1630
OR18301240-08	12.40	1.83	NBR	SIA-1727
OR19001240-11	12.40	1.90	NBR	SIA-802
OR20001250-08	12.40	2.00	NBR	SIA-117
OR22001240-08	12.40	2.20	NBR	SIA-2212
OR26001240-08	12.40	2.60	NBR	SIA-566
OR27001240-08	12.40	2.70	NBR	SIA-3018
OR40001240-64	12.40	4.00	FKM	SIA-2632
OR17801242-18	12.42	1.78	CR	SIA-3029
OR17801242-10	12.42	1.78	NBR	SIA-2261
OR17801242-08	12.42	1.78	NBR	SIA-178
OR17801242-D5	12.42	1.78	HNBR	SIA-1765
OR17801242-64	12.42	1.78	FKM	SIA-1058
OR17801242-64	12.42	1.78	FKM	SIA-927
OR17801242-11	12.42	1.78	NBR	SIA-1697
OR17801242-O3	12.42	1.78	NBR	SIA-2491
OR17801242-T5	12.42	1.78	EPDM	SIA-2684
OR17801242-S4	12.42	1.78	HNBR	SIA-3141

Bold sizes are readily available in stock.
Other material are available on request.

Part No.	d	c/s	Material	Mould No.
OR18001242-64	12.42	1.80	FKM	SIA-2050
OR10001250-08	12.50	1.00	NBR	SIA-570
OR10001250-64	12.50	1.00	FKM	SIA-3127
OR15001250-64	12.50	1.50	FKM	SIA-1524
OR15001250-67	12.50	1.50	FKM	SIA-1031
OR15001250-08	12.50	1.50	NBR	SIA-892
OR17001250-08	12.50	1.70	NBR	SIA-115
OR17001250-L5	12.50	1.70	PU	POA-503
OR17501250-08	12.50	1.75	NBR	SIA-922
OR20001250-67	12.50	2.00	FKM	SIA-2256
OR20001250-64	12.50	2.00	FKM	SIA-1749
OR20001250-08	12.50	2.00	NBR	SIA-755
OR20001250-D5	12.50	2.00	HNBR	SIA-3219
OR22001250-08	12.50	2.20	NBR	SIA-1785
OR22001250-64	12.50	2.20	FKM	SIA-2612
OR22501250-08	12.50	2.25	NBR	SIA-476
OR23001250-08	12.50	2.30	NBR	SIA-3102
OR25001250-64	12.50	2.50	FKM	SIA-683
OR25001250-08	12.50	2.50	NBR	SIA-745
OR25001250-08	12.50	2.50	NBR	SIA-1034
OR26001250-08	12.50	2.60	NBR	SIA-233
OR26001250-08	12.50	2.60	NBR	SIA-3083
OR30001250-08	12.50	3.00	NBR	SIA-312
OR30001250-D5	12.50	3.00	HNBR	SIA-2435
OR35001250-08	12.50	3.50	NBR	SIA-2129
OR35001250-64	12.50	3.50	FKM	SIA-2878
OR37501250-08	12.50	3.75	NBR	SIA-1875
OR43001250-08	12.50	4.30	NBR	SIA-1587
OR50001250-10	12.50	5.00	NBR	SIA-1902
OR87501250-08	12.50	8.75	NBR	SIB-2351
OR17801260-10	12.60	1.78	NBR	SIA-1388
OR17801260-64	12.60	1.78	FKM	SIA-1907
OR24001260-08	12.60	2.40	NBR	SIA-191
OR35001260-59	12.60	3.50	PU	POA-529
OR19001265-08	12.65	1.90	NBR	SIA-1746
OR19001265-08	12.65	1.90	NBR	SIA-1956
OR20001265-L5	12.65	2.00	PU	POA-420
OR27001268-64	12.68	2.70	FKM	SIA-2952
OR15701270-R3	12.70	1.57	PU	POA-370
OR15801270-64	12.70	1.58	FKM	SIA-2545
OR16001270-08	12.70	1.60	NBR	SIA-386
OR16001270-64	12.70	1.60	FKM	SIA-2449
OR16501270-64	12.70	1.65	FKM	SIA-2515
OR17501270-59	12.70	1.75	PU	POA-354
OR17501270-L5-A	12.70	1.75	PU	POA-551
OR17801270-L5	12.70	1.78	PU	POA-468
OR20001270-43	12.70	2.00	VMQ	SIA-2356
OR20801270-08	12.70	2.08	NBR	SIA-1865
OR23801270-67	12.70	2.38	FKM	SIA-1274
OR24001270-08	12.70	2.40	NBR	SIA-211
OR26001270-64	12.70	2.60	FKM	SIA-2721
OR31001270-08	12.70	3.10	NBR	SIA-1839
OR31701270-66	12.70	3.17	FKM	SIA-1696
OR63501270-64	12.70	6.35	FKM	SIB-3316
OR31701271-08	12.71	3.17	NBR	SIA-2044
OR31701271-L5	12.71	3.17	PU	POA-424
OR17801272-66	12.72	1.78	FKM	SIA-1767
OR20501275-66	12.75	2.05	FKM	SIA-2132
OR25001275-08	12.75	2.50	NBR	SIA-2732
OR15001280-11	12.80	1.50	NBR	SIA-2113
OR16001280-L5	12.80	1.60	PU	POA-469
OR16001280-R1	12.80	1.60	FVMQ	SIA-2548
OR17001280-L5	12.80	1.70	PU	POA-470
OR18001280-08	12.80	1.80	NBR	SIA-1780
OR18001280-64	12.80	1.80	FKM	SIA-2687
OR20001280-08	12.80	2.00	NBR	SIA-3063
OR20001280-65	12.80	2.00	FKM	SIA-3108
OR24001280-08	12.80	2.40	NBR	SIA-1443
OR25001280-64	12.80	2.50	FKM	SIA-2912
OR26001280-64	12.80	2.60	FKM	SIA-2161
OR26001280-59	12.80	2.60	PU	POA-212
OR27001280-64	12.80	2.70	FKM	SIA-451
OR32001280-66	12.80	3.20	NBR	SIA-2837

Part No.	d	c/s	Material	Mould No.
OR36001280-08	12.80	3.60	NBR	SIA-1874
OR40001280-20	12.80	4.00	CR	SIA-1594
OR24001281-08	12.81	2.40	NBR	SIA-1401
OR14801284-64	12.84	1.48	FKM	SIA-3246
OR18001290-64	12.90	1.80	FKM	SIA-2688
OR23001290-08	12.90	2.30	NBR	SIA-1036
OR23501290-64	12.90	2.35	FKM	SIA-3163
OR24001290-64	12.90	2.40	FKM	SIA-3180
OR10001300-64	13.00	1.00	FKM	SIA-1086
OR10001300-08	13.00	1.00	NBR	SIA-217
OR11001300-08	13.00	1.10	NBR	SIA-1665
OR12001300-R3	13.00	1.20	PU	POA-374
OR12001300-10	13.00	1.20	NBR	SIA-2117
OR12501300-08	13.00	1.25	NBR	SIA-1151
OR13001300-32	13.00	1.30	EPDM	SIA-1104
OR13001300-64	13.00	1.30	FKM	SIA-2916
OR14001300-08	13.00	1.40	NBR	SIA-2974
OR15001300-64	13.00	1.50	FKM	SIA-1343
OR15001300-08	13.00	1.50	NBR	SIA-453
OR15001300-64	13.00	1.50	FKM	SIA-1352
OR15001300-L5	13.00	1.50	PU	POA-544
OR16001300-T2	13.00	1.60	VMQ	SIA-1928
OR16001300-08	13.00	1.60	NBR	SIA-2909
OR17001300-64	13.00	1.70	FKM	SIA-1070
OR17001300-97	13.00	1.70	SBR	SIA-2350
OR17501300-08	13.00	1.75	NBR	SIA-1784
OR17801300-R3	13.00	1.78	PU	POA-356
OR17801300-08	13.00	1.78	NBR	SIA-1852
OR18001300-08	13.00	1.80	NBR	SIA-865
OR18001300-L5	13.00	1.80	PU	POA-353
OR18001300-64	13.00	1.80	FKM	SIA-3310
OR19001300-64	13.00	1.90	FKM	SIA-2402
OR20001300-L5	13.00	2.00	PU	POA-217
OR20001300-64	13.00	2.00	FKM	SIA-1121
OR20001300-08	13.00	2.00	NBR	SIA-327
OR20001300-D6	13.00	2.00	HNBR	SIA-2924
OR20001300-43	13.00	2.00	VMQ	SIA-3061
OR21501300-64	13.00	2.15	FKM	SIA-2509
OR22501300-08	13.00	2.25	NBR	SIA-2330
OR24001300-08	13.00	2.40	NBR	SIA-2408
OR25001300-10	13.00	2.50	NBR	SIA-1774
OR25001300-32	13.00	2.50	EPDM	SIA-1539
OR25001300-08	13.00	2.50	NBR	SIA-243
OR25001300-08	13.00	2.50	NBR	SIA-298
OR25001300-64	13.00	2.50	FKM	SIA-1185
OR25001300-L5	13.00	2.50	PU	POA-499
OR26001300-08	13.00	2.60	NBR	SIA-220
OR26201300-08	13.00	2.62	NBR	SIA-1869
OR27001300-08	13.00	2.70	NBR	SIA-2004
OR28001300-64	13.00	2.80	FKM	SIA-2002
OR28001300-08	13.00	2.80	NBR	SIA-2003
OR30001300-64	13.00	3.00	FKM	SIA-1548
OR30001300-L5	13.00	3.00	PU	POA-347
OR30001300-08	13.00	3.00	NBR	SIA-197
OR30001300-08	13.00	3.00	NBR	SIA-435
OR30001300-10	13.00	3.00	NBR	SIA-2955
OR32001300-11	13.00	3.20	NBR	SIA-2586
OR35001300-08	13.00	3.50	NBR	SIA-300
OR35001300-64	13.00	3.50	FKM	SIA-2597
OR37001300-08	13.00	3.70	NBR	SIA-2215
OR40001300-08	13.00	4.00	NBR	SIA-529
OR40001300-64	13.00	4.00	FKM	SIA-1550
OR42501300-64	13.00	4.25	FKM	SIA-1467
OR45001300-20	13.00	4.50	CR	SIA-1078
OR50001300-64	13.00	5.00	FKM	SIA-350
OR50001300-08	13.00	5.00	NBR	SIA-483
OR50001300-41	13.00	5.00	VMQ	SIA-3116
OR55001300-64	13.00	5.50	FKM	SIA-1912
OR60001300-32	13.00	6.00	EPDM	SIA-2327
OR60001300-08	13.00	6.00	NBR	SIA-1064
OR65001300-10	13.00	6.50	NBR	SIB-1190
OR75001300-08	13.00	7.50	NBR	SIB-2876
OR75001300-64	13.00	7.50	FKM	SIB-2877

Bold sizes are readily available in stock.
 Other material are available on request.

Part No.	d	c/s	Material	Mould No.
OR16001310-08	13.10	1.60	NBR	SIA-1362
OR16001310-66	13.10	1.60	FKM	SIA-571
OR16001310-67	13.10	1.60	FKM	SIA-2483
OR16001310-R1	13.10	1.60	FVMQ	SIA-2947
OR16001310-43	13.10	1.60	VMQ	SIA-3147
OR17801310-08	13.10	1.78	NBR	SIA-3188
OR24001310-64	13.10	2.40	FKM	SIA-1386
OR26201310-08	13.10	2.62	NBR	SIA-394
OR32001310-08	13.10	3.20	NBR	SIA-2347
OR38501310-30	13.10	3.85	EPDM	SIA-2143
OR26201311-22	13.11	2.62	CR	SIA-3257
OR10001316-08	13.16	1.00	NBR	SIA-1818
OR13501316-66	13.16	1.35	FKM	SIA-2291
OR26201317-64	13.17	2.62	FKM	SIA-1516
OR17801320-64	13.20	1.78	FKM	SIA-953
OR23001320-08	13.20	2.30	NBR	SIA-1580
OR25001320-11	13.20	2.50	NBR	SIA-1313
OR25001320-11	13.20	2.50	NBR	SIA-1095
OR26501320-32	13.20	2.65	EPDM	SIA-2734
OR19001325-08	13.25	1.90	NBR	SIA-2340
OR15201326-08	13.26	1.52	NBR	SIA-3191
OR17801329-08	13.29	1.78	NBR	SIA-2440
OR15001330-08	13.30	1.50	NBR	SIA-1575
OR15001330-65	13.30	1.50	FKM	SIA-2884
OR22001330-11	13.30	2.20	NBR	SIA-2144
OR22001330-D5	13.30	2.20	HNBR	SIA-2076
OR24001330-66	13.30	2.40	FKM	SIA-1314
OR24001330-09	13.30	2.40	NBR	SIA-770
OR25501330-66	13.30	2.55	FKM	SIA-1814
OR26001330-43	13.30	2.60	VMQ	SIA-3045
OR24801331-66	13.34	2.48	FKM	SIA-1012
OR07901336-O4	13.36	0.79	FKM	SIA-136
OR10001340-08	13.40	1.00	NBR	SIA-1976
OR12001340-10	13.40	1.20	NBR	SIA-2118
OR18001340-20	13.40	1.80	CR	SIA-2086
OR22501340-67	13.40	2.25	FKM	SIA-1762
OR24001340-64	13.40	2.40	FKM	SIA-1366
OR17801344-64	13.44	1.78	FKM	SIA-1650
OR20801346-10	13.46	2.08	NBR	SIA-1410
OR10001350-D5	13.50	1.00	HNBR	SIA-2368
OR10001350-64	13.50	1.00	FKM	SIA-3085
OR12501350	13.50	1.25	NBR	SIA-685
OR13001350-64	13.50	1.30	FKM	SIA-2147
OR15001350-08	13.50	1.50	NBR	SIA-882
OR15001350-66	13.50	1.50	FKM	SIA-2882
OR16301350-08	13.50	1.63	NBR	SIA-2919
OR20001350-64	13.50	2.00	FKM	SIA-1950
OR20001350-08	13.50	2.00	NBR	SIA-696
OR25001350-08	13.50	2.50	NBR	SIA-346
OR25001350-08	13.50	2.50	NBR	SIA-305
OR25001350-64	13.50	2.50	FKM	SIA-2018
OR28301350-08	13.50	2.83	NBR	SIA-1886
OR30001350-64	13.50	3.00	FKM	SIA-1529
OR30001350-08	13.50	3.00	NBR	SIA-345
OR30001350-64	13.50	3.00	FKM	SIA-2707
OR30001350-R1	13.50	3.00	FVMQ	SIA-3247
OR33001350-08	13.50	3.30	NBR	SIA-1658
OR35001350-64	13.50	3.50	FKM	SIA-1975
OR40001350-08	13.50	4.00	NBR	SIA-2178
OR40001350-32	13.50	4.00	EPDM	SIA-3136
OR50001350-64	13.50	5.00	FKM	SIA-2366
OR14413560-08	13.56	1.44	NBR	SIA-2840
OR26201359-43	13.59	2.62	VMQ	SIA-2740
OR12001360-32	13.60	1.20	EPDM	SIA-3036
OR22001360-08	13.60	2.20	NBR	SIA-1551
OR22001360-64	13.60	2.20	FKM	SIA-3014
OR23001360-08	13.60	2.30	NBR	SIA-1677
OR23001360-64	13.60	2.30	FKM	SIA-671
OR23001360-08	13.60	2.30	NBR	SIA-1235
OR23001360-08	13.60	2.30	NBR	SIA-2954
OR24001360-08	13.60	2.40	NBR	SIA-1779
OR26201360-64	13.60	2.62	FKM	SIA-1486
OR27001360-08	13.60	2.70	NBR	SIA-101

Part No.	d	c/s	Material	Mould No.
OR27001360-J3	13.60	2.70	NBR	SIA-339
OR27001360-62	13.60	2.70	FKM	SIA-2438
OR32001360-64	13.60	3.20	FKM	SIA-2607
OR53301364-64	13.64	5.33	FKM	SIA-2186
OR53301364-08	13.64	5.33	NBR	SIA-715
OR12001365-10	13.65	1.20	NBR	SIA-2119
OR55001300-66	13.65	5.50	FKM	SIA-2164
OR20001370-L5	13.70	2.00	PU	POA-432
OR20501370-66	13.70	2.05	FKM	SIA-2131
OR30001370-08	13.70	3.00	NBR	SIA-2860
OR10001375-08	13.75	1.00	NBR	SIA-2871
OR16001380-T7	13.80	1.60	FKM	SIA-2423
OR17501380-08	13.80	1.75	NBR	SIA-1745
OR18001380-64	13.80	1.80	FKM	SIA-1614
OR24001380-64	13.80	2.40	FKM	SIA-1182
OR24001380-08	13.80	2.40	NBR	SIA-951
OR24001380-D5	13.80	2.40	HNBR	SIA-2657
OR24001380-11	13.80	2.40	NBR	SIA-3076
OR26001380-08	13.80	2.60	NBR	SIA-2503
OR26001380-D5	13.80	2.60	HNBR	SIA-2589
OR27001380-08	13.80	2.70	NBR	SIA-2010
OR13801387-08	13.87	1.38	NBR	SIA-3204
OR35301387-64	13.87	3.53	FKM	SIA-1105
OR35301387-L5	13.87	3.53	PU	POA-205
OR35301387-08	13.87	3.53	NBR	SIA-199
OR35301387-64	13.87	3.53	FKM	SIA-2056
OR35301387-32	13.87	3.53	EPDM	SIA-2828
OR37301387-66	13.87	3.73	FKM	SIA-877
OR24001390-64	13.90	2.40	FKM	SIA-3216
OR25001390-08	13.90	2.50	NBR	SIA-1743
OR17801394-08	13.94	1.78	NBR	SIA-1059
OR26201394-64	13.94	2.62	FKM	SIA-1126
OR26201394-R3	13.94	2.62	PU	POA-378
OR26201394-11	13.94	2.62	NBR	SIA-1738
OR26201394-32	13.94	2.62	EPDM	SIA-1518
OR26201394-08	13.94	2.62	NBR	SIA-704
OR26201394-23	13.94	2.62	CR	SIA-3084
OR26201394-CM	13.94	2.62	FKM	SIA-3304
OR26201395-T2	13.95	2.62	VMQ	SIA-1216
OR26201395-T4	13.95	2.62	EPDM	SIA-1809
OR26201395-S4	13.95	2.62	HNBR	SIA-3144
OR25401397-64	13.97	2.54	FKM	SIA-1435
OR29401397-64	13.97	2.94	FKM	SIA-1434
OR17701399-64	13.99	1.77	FKM	SIA-1419
OR17801399-08	13.99	1.78	NBR	SIA-682
OR10001400-64	14.00	1.00	FKM	SIA-2227
OR10001400-08	14.00	1.00	NBR	SIA-311
OR12501400-08	14.00	1.25	NBR	SIA-2739
OR14001400-08	14.00	1.40	NBR	SIA-891
OR15001400-08	14.00	1.50	NBR	SIA-1108
OR15001400-L5	14.00	1.50	PU	POA-202
OR15001400-43	14.00	1.50	VMQ	SIA-1830
OR15001400-64	14.00	1.50	FKM	SIA-379
OR15001400-67	14.00	1.50	FKM	SIA-1408
OR15001400-T7	14.00	1.50	FKM	SIA-2418
OR15001400-T9	14.00	1.50	FKM	SIA-3068
OR16001400-T9	14.00	1.60	FKM	SIA-2550
OR17001400-08	14.00	1.70	NBR	SIA-422
OR17801400-89	14.00	1.78	PU	POA-416
OR17801400-64	14.00	1.78	FKM	SIA-1193
OR17801400-08	14.00	1.78	NBR	SIA-751
OR17804100-L3	14.00	1.78	AFLAS	SIA-2997
OR17801400-43	14.00	1.78	VMQ	SIA-2805
OR17801400-S4	14.00	1.78	HNBR	SIA-3139
OR18001400-08	14.00	1.80	NBR	SIA-1791
OR18001400-L5	14.00	1.80	PU	POA-341
OR18001400-D5	14.00	1.80	HNBR	SIA-2421
OR18001400-32	14.00	1.80	EPDM	SIA-2563
OR19001400-64	14.00	1.90	FKM	SIA-1757
OR19001400-08	14.00	1.90	NBR	SIA-1783
OR20001400-43	14.00	2.00	VMQ	SIA-1273
OR20001400-59	14.00	2.00	PU	POA-243
OR20001400-08	14.00	2.00	NBR	SIA-716

Bold sizes are readily available in stock.
Other material are available on request.

Part No.	d	c/s	Material	Mould No.
OR20001400-64	14.00	2.00	FKM	SIA-615
OR20001400-08	14.00	2.00	NBR	SIA-461
OR21001400-64	14.00	2.10	FKM	SIA-2893
OR22001400-08	14.00	2.20	NBR	SIA-1390
OR22501400-08	14.00	2.25	NBR	SIA-1296
OR22501400-64	14.00	2.25	FKM	SIA-1822
OR23001400-08	14.00	2.30	NBR	SIA-1207
OR24001400-64	14.00	2.40	FKM	SIA-2987
OR24001400-32	14.00	2.40	EPDM	SIA-3176
OR25001400-08	14.00	2.50	NBR	SIA-235
OR25001400-08	14.00	2.50	NBR	SIA-296
OR25001400-43	14.00	2.50	VMQ	SIA-1851
OR25001400	14.00	2.50	NBR	SIA-438
OR25001400-64	14.00	2.50	FKM	SIA-1188
OR26201400-64	14.00	2.62	FKM	SIA-1731
OR26501400-11	14.00	2.65	NBR	SIA-1088
OR27501650-64	14.00	2.75	FKM	SIA-1046
OR27501400-08	14.00	2.75	NBR	SIA-433
OR28001400-64	14.00	2.80	FKM	SIA-2193
OR28001400-08	14.00	2.80	NBR	SIA-2245
OR30001400-08	14.00	3.00	NBR	SIA-169
OR30001400-64	14.00	3.00	FKM	SIA-1191
OR30001400-08	14.00	3.00	NBR	SIA-1921
OR30001400-43	14.00	3.00	VMQ	SIA-1850
OR31801400-11	14.00	3.18	NBR	SIA-2271
OR35001400-08	14.00	3.50	NBR	SIA-245
OR35501400-32	14.00	3.55	EPDM	SIA-1612
OR38001400-34	14.00	3.80	EPDM	SIA-3276
OR40001400-64	14.00	4.00	FKM	SIA-1353
OR40001400-64	14.00	4.00	FKM	SIA-970
OR40001400-08	14.00	4.00	NBR	SIA-409
OR45001400-64	14.00	4.50	FKM	SIA-1040
OR45001400-08	14.00	4.50	NBR	SIA-2329
OR50001400-08	14.00	5.00	NBR	SIA-876
OR55001400-64	14.00	5.50	FKM	SIA-2283
OR58001400-08	14.00	5.80	NBR	SIB-2494
OR60001400-08	14.00	6.00	NBR	SIB-2882
OR70001400-08	14.00	7.00	NBR	SIB-2881
OR16001410-08	14.10	1.60	NBR	SIA-380
OR16001410-64	14.10	1.60	FKM	SIA-2798
OR19001410-66	14.10	1.90	NBR	SIA-3120
OR49001410-64	14.10	4.90	FKM	SIA-2966
OR18001420-08	14.20	1.80	NBR	SIA-1581
OR19001420-64	14.20	1.90	FKM	SIA-1462
OR25001420-65	14.20	2.50	FKM	SIA-2931
OR17801425-64	14.25	1.78	FKM	SIA-1342
OR24601426-64	14.26	2.46	FKM	SIA-1463
OR15901428-64	14.28	1.59	FKM	SIA-1522
OR23801428-08	14.28	2.38	NBR	SIA-678
OR15801429-T9	14.29	1.58	FKM	SIA-3210
OR10001430-08	14.30	1.00	NBR	SIA-2713
OR20001430-65	14.30	2.00	FKM	SIA-2764
OR24001430-08	14.30	2.40	NBR	SIA-1799
OR24001430-67	14.30	2.40	FKM	SIA-1923
OR24001430-67	14.30	2.40	FKM	SIA-1951
OR24001430-R1	14.30	2.40	FVMQ	SIA-2476
OR26001430-64	14.30	2.60	FKM	SIA-1895
OR35001430-64	14.30	3.50	FKM	SIA-1068
OR35001430-32	14.30	3.50	EPDM	SIA-1069
OR15101437-64	14.37	1.51	FKM	SIA-1812
OR15101437-32	14.37	1.51	EPDM	SIA-2716
OR10001440-D6	14.40	1.00	HNBR	SIA-864
OR12001440-10	14.40	1.20	NBR	SIA-2084
OR15001440-D5	14.40	1.50	HNBR	SIA-1258
OR17001440-08	14.40	1.70	NBR	SIA-1748
OR26001440-08	14.40	2.60	NBR	SIA-1444
OR2800144-65	14.40	2.80	FKM	SIA-3059
OR31001440-08	14.40	3.10	NBR	SIA-2521
OR17801447-08	14.47	1.78	NBR	SIA-839
OR18001447-64	14.47	1.80	FKM	SIA-2774
OR26901448-08	14.48	2.69	NBR	SIA-1044
OR10001450-32	14.50	1.00	EPDM	SIA-2861
OR13801450-08	14.50	1.38	NBR	SIA-836

Part No.	d	c/s	Material	Mould No.
OR14001450-08	14.50	1.40	NBR	SIA-3113
OR15001450-08	14.50	1.50	NBR	SIA-2322
OR18001450-08	14.50	1.80	NBR	SIA-1733
OR20001450-64	14.50	2.00	FKM	SIA-2180
OR20001450-08	14.50	2.00	NBR	SIA-767
OR25001450-08	14.50	2.50	NBR	SIA-624
OR25001450-T7	14.50	2.50	FKM	SIA-1929
OR25001450-S8	14.50	2.50	NBR	SIA-2652
OR26001450-43	14.50	2.60	VMQ	SIA-1447
OR26201450-08	14.50	2.62	NBR	SIA-2905
OR27001450-43	14.50	2.70	VMQ	SIA-1638
OR27501450-08	14.50	2.75	NBR	SIA-1877
OR28001400-08	14.50	2.80	NBR	SIA-1387
OR30001450-43	14.50	3.00	VMQ	SIA-1541
OR30001450-08	14.50	3.00	NBR	SIA-125
OR30001450-32	14.50	3.00	EPDM	SIA-1642
OR30001450-64	14.50	3.00	FKM	SIA-2660
OR30001450-67	14.50	3.00	FKM	SIA-3109
OR30001450-59	14.50	3.00	PU	POA-545
OR31001450-43	14.50	3.10	VMQ	SIA-2752
OR31501450-43	14.50	3.15	VMQ	SIA-1648
OR35001450-08	14.50	3.50	NBR	SIA-535
OR63501450-64	14.50	6.35	FKM	SIB-1620
OR17801454-08	14.54	1.78	NBR	SIA-3132
OR30101457-64	14.57	3.01	FKM	SIA-1502
OR22201460-08	14.60	2.22	NBR	SIA-609
OR23001460-T2	14.60	2.30	VMQ	SIA-2395
OR24001460-08	14.60	2.40	NBR	SIA-1625
OR24001460-32	14.60	2.40	EPDM	SIA-3285
OR32001460-08	14.60	3.20	NBR	SIA-396
OR16001462-64	14.62	1.60	FKM	SIA-1944
OR10201468-64	14.68	1.02	FKM	SIA-2683
OR11001470-64	14.70	1.10	FKM	SIA-3030
OR25001470-66	14.70	2.50	FKM	SIA-1622
OR26201470-08	14.70	2.62	NBR	SIA-1997
OR53301470-66	14.70	5.33	FKM	SIB-2636
OR13501473-64	14.73	1.35	FKM	SIA-3126
OR14801474-66	14.74	1.48	FKM	SIA-1432
OR35301476-64	14.76	3.53	FKM	SIA-2897
OR10001480-08	14.80	1.00	NBR	SIA-2891
OR17801480-64	14.80	1.78	FKM	SIA-2401
OR18001480-10	14.80	1.80	NBR	SIA-1430
OR19001480-08	14.80	1.90	NBR	SIA-985
OR22001480-34	14.80	2.20	EPDM	SIA-3192
OR24001480-08	14.80	2.40	NBR	SIA-986
OR25001480-08	14.80	2.50	NBR	SIA-1570
OR26001480-08	14.80	2.60	NBR	SIA-181
OR26201480-66	14.80	2.62	FKM	SIA-2733
OR30001480-08	14.80	3.00	NBR	SIA-1284
OR45001480-64	14.80	4.50	FKM	SIA-2808
OR23001490-64	14.90	2.30	FKM	SIA-1571
OR23001490-08	14.90	2.30	NBR	SIA-1685
OR23001490-08	14.90	2.30	NBR	SIA-1871
OR14501493-64	14.93	1.45	FKM	SIA-1465
OR10001500-08	15.00	1.00	NBR	SIA-491
OR10001500-34	15.00	1.00	EPDM	SIA-2459
OR10001500-64	15.00	1.00	FKM	SIA-3019
OR12001500-11	15.00	1.20	NBR	SIA-2644
OR15001500-08	15.00	1.50	NBR	SIA-313
OR15001500-64	15.00	1.50	FKM	SIA-1466
OR16001500-08	15.00	1.60	NBR	SIA-2936
OR16001500-67	15.00	1.60	FKM	SIA-3055
OR17501500-D5	15.00	1.75	HNBR	SIA-3209
OR17801500-64	15.00	1.78	FKM	SIA-1861
OR17801500-08	15.00	1.78	NBR	SIA-2675
OR18001500-08	15.00	1.80	NBR	SIA-577
OR18001500-67	15.00	1.80	FKM	SIA-1589
OR20001500-66	15.00	2.00	FKM	SIA-1468
OR20001500-08	15.00	2.00	NBR	SIA-131
OR20001500-32	15.00	2.00	EPDM	SIA-1136
OR20001500-43	15.00	2.00	VMQ	SIA-1952
OR20001500-89	15.00	2.00	PU	POA-426
OR20001500-64	15.00	2.00	FKM	SIA-1506

Bold sizes are readily available in stock.
 Other material are available on request.

Part No.	d	c/s	Material	Mould No.
OR21001500-11	15.00	2.10	NBR	SIA-1562
OR22001500-11	15.00	2.20	NBR	SIA-2584
OR22501500-08	15.00	2.25	NBR	SIA-2969
OR23001500-64	15.00	2.30	FKM	SIA-3169
OR24001500-08	15.00	2.40	NBR	SIA-2001
OR24001500-64	15.00	2.40	FKM	SIA-2894
OR25001500-23	15.00	2.50	CR	SIA-1758
OR25001500-S8	15.00	2.50	NBR	SIA-1509
OR25001500-L5	15.00	2.50	PU	POA-197
OR25001500-08	15.00	2.50	NBR	SIA-698
OR25001500-08	15.00	2.50	NBR	SIA-334
OR25001500-08	15.00	2.50	NBR	SIA-239
OR25001500-67	15.00	2.50	FKM	SIA-1527
OR25001500-64	15.00	2.50	FKM	SIA-936
OR25001500-64	15.00	2.50	FKM	SIA-996
OR25001500-T9	15.00	2.50	FKM	SIA-2811
OR26201500-08	15.00	2.62	NBR	SIA-201
OR26201500-35	15.00	2.62	EPDM	SIA-2845
OR27001500-10	15.00	2.70	NBR	SIA-1632
OR27501500-43	15.00	2.75	VMQ	SIA-1381
OR28001500-08	15.00	2.80	NBR	SIA-727
OR28001500-43	15.00	2.80	VMQ	SIA-2334
OR30001500-64	15.00	3.00	FKM	SIA-1469
OR30001500-08	15.00	3.00	NBR	SIA-659
OR32001500-64	15.00	3.20	FKM	SIA-2382
OR33001500-10	15.00	3.30	NBR	SIA-2278
OR35001500-08	15.00	3.50	NBR	SIA-513
OR35001500-32	15.00	3.50	EPDM	SIA-2207
OR35001500-64	15.00	3.50	FKM	SIA-2727
OR40001500-89	15.00	4.00	PU	POA-307
OR40001500-08	15.00	4.00	NBR	SIA-589
OR40001500-43	15.00	4.00	VMQ	SIA-2429
OR42001500-08	15.00	4.20	NBR	SIA-1242
OR42001500-64	15.00	4.20	FKM	SIA-1375
OR45001500-08	15.00	4.50	NBR	SIB-1898
OR50001500-08	15.00	5.00	NBR	SIA-331
OR50001500-64	15.00	5.00	FKM	SIB-2065
OR50001500-59	15.00	5.00	PU	POA-448
OR55001500-08	15.00	5.50	NBR	SIB-1383
OR60001500-08	15.00	6.00	NBR	SIB-3044
OR60001500-64	15.00	6.00	FKM	SIB-3217
OR70001500-64	15.00	7.00	FKM	SIB-2799
OR70001500-08	15.00	7.00	NBR	SIB-3174
OR75001500-08	15.00	7.50	NBR	SIB-2815
OR80001500-20	15.00	8.00	CR	SIB-2509
OR26201508-66	15.08	2.62	FKM	SIA-1735
OR26201508-08	15.08	2.62	NBR	SIA-1311
OR26201508-64	15.08	2.62	FKM	SIA-769
OR26201508-T5	15.08	2.62	EPDM	SIA-1810
OR26201508-64	15.08	2.62	FKM	SIA-694
OR11001510-64	15.10	1.10	FKM	SIA-3268
OR16001510-11	15.10	1.60	NBR	SIA-1557
OR16001510-64	15.10	1.60	FKM	SIA-2062
OR17001510-11	15.10	1.70	NBR	SIA-913
OR22001510-64	15.10	2.20	FKM	SIA-3300
OR27001510-J3	15.10	2.70	Butyl Rubber	SIA-1340
OR27001510-63	15.10	2.70	FKM	SIA-2523
OR27001510-T9	15.10	2.70	FKM	SIA-3302
OR26201513-R1	15.13	2.62	FVMQ	SIA-1689
OR13001520-64	15.20	1.30	FKM	SIA-2277
OR17801520-64	15.20	1.78	FKM	SIA-1099
OR19001520-08	15.20	1.90	NBR	SIA-688
OR19001520-64	15.20	1.90	FKM	SIA-1616
OR24001520-08	15.20	2.40	NBR	SIA-289
OR25001520-67	15.20	2.50	FKM	SIA-2708
OR25001520-10	15.20	2.50	NBR	SIA-2880
OR17801521-08	15.21	1.78	NBR	SIA-1578
OR53301524-32	15.24	5.33	EPDM	SIB-2353
OR53301524-64	15.24	5.33	FKM	SIB-1413
OR31501525-64	15.25	3.15	FKM	SIA-1653
OR15001530-32	15.30	1.50	EPDM	SIA-2480
OR16001530-08	15.30	1.60	NBR	SIA-1943
OR16501530-41	15.30	1.65	VMQ	SIA-2409

Part No.	d	c/s	Material	Mould No.
OR19001530-08	15.30	1.90	NBR	SIA-2216
OR20001530-08	15.30	2.00	NBR	SIA-2950
OR22001530-11	15.30	2.20	NBR	SIA-2236
OR22001530-D5	15.30	2.20	HNBR	SIA-2053
OR22001530-R1	15.30	2.20	FVMQ	SIA-2921
OR24001530-08	15.30	2.40	NBR	SIA-1338
OR24001530-43	15.30	2.40	VMQ	SIA-1450
OR24001530-T9	15.30	2.40	FKM	SIA-457
OR24001530-59	15.30	2.40	PU	POA-461
OR24001530-T5	15.30	2.40	EPDM	SIA-3252
OR26001530-T7	15.30	2.60	FKM	SIA-2317
OR37001530-08	15.30	3.70	NBR	SIA-2244
OR21601534-08	15.34	2.16	NBR	SIA-2998
OR26201534-08	15.34	2.62	NBR	SIA-1623
OR12001540-10	15.40	1.20	NBR	SIA-142
OR20001540-65	15.40	2.00	FKM	SIA-2359
OR21001540-67	15.40	2.10	FKM	SIA-1030
OR25001540-08	15.40	2.50	NBR	SIA-219
OR25001540-32	15.40	2.50	EPDM	SIA-2325
OR45001540-08	15.40	4.50	NBR	SIA-2965
OR35301546-31	15.46	3.53	EPDM	SIA-2308
OR26201547-C3	15.47	2.62	XNBR	SIA-1269
OR35301547-08	15.47	3.53	NBR	SIA-805
OR35301547-64	15.47	3.53	FKM	SIA-567
OR10001550-08	15.50	1.00	NBR	SIA-2628
OR13001550-65	15.50	1.30	FKM	SIA-2839
OR15001550-08	15.50	1.50	NBR	SIA-587
OR15001550-43	15.50	1.50	VMQ	SIA-2399
OR15001550-64	15.50	1.50	FKM	SIA-2945
OR16201550-10	15.50	1.62	NBR	SIA-1495
OR20001550-08	15.50	2.00	NBR	SIA-1159
OR20001550-08	15.50	2.00	NBR	SIA-648
OR22501550-08	15.50	2.25	NBR	SIA-666
OR24001550-67	15.50	2.40	FKM	SIA-2034
OR25001530-08	15.50	2.50	NBR	SIA-395
OR25001550-11	15.50	2.50	NBR	SIA-365
OR25001550-64	15.50	2.50	FKM	SIA-1916
OR25001550-T2	15.50	2.50	VMQ	SIA-2151
OR26201550-64	15.50	2.62	FKM	SIA-780
OR30001550-64	15.50	3.00	FKM	SIA-1203
OR30001550-08	15.50	3.00	NBR	SIA-475
OR38001550-43	15.50	3.80	VMQ	SIA-2235
OR40001550-64	15.50	4.00	FKM	SIA-2496
OR45001550-08	15.50	4.50	NBR	SIA-304
OR45001550-T2	15.50	4.50	VMQ	SIA-2847
OR50001550-08	15.50	5.00	NBR	SIB-2279
OR50001550-64	15.50	5.00	FKM	SIB-887
OR60001550-12	15.50	6.00	NBR	SIB-1724
OR26201554-11	15.54	2.62	NBR	SIA-1692
OR26001560-L5	15.54	2.62	PU	POA-131
OR26201554-64	15.54	2.62	FKM	SIA-954
OR26201554-08	15.54	2.62	NBR	SIA-326
OR26201554-32	15.54	2.62	EPDM	SIA-1937
OR26201554-T5	15.54	2.62	EPDM	SIA-3184
OR28201554-11	15.54	2.82	NBR	SIA-2587
OR41601554-08	15.54	4.16	NBR	SIA-3227
OR17801559-10	15.59	1.78	NBR	SIA-2262
OR11001560-43	15.60	1.10	VMQ	SIA-2412
OR17801560-87	15.60	1.78	PU	POA-125
OR17801560-64	15.60	1.78	FKM	SIA-1038
OR17801560-08	15.60	1.78	NBR	SIA-1080
OR17801560-64	15.60	1.78	FKM	SIA-1264
OR17801560-08	15.60	1.78	NBR	SIA-344
OR17801560-34	15.60	1.78	EPDM	SIA-2616
OR17801560-L5	15.60	1.78	PU	POA-492
OR17801560-43	15.60	1.78	VMQ	SIA-3153
OR18001560-08	15.60	1.80	NBR	SIA-1383
OR20001560-64	15.60	2.00	FKM	SIA-2037
OR22001560-L5	15.60	2.20	PU	POA-526
OR22001560-64	15.60	2.20	FKM	SIA-3037
OR23001560-67	15.60	2.30	NBR	SIA-563
OR23001560-08	15.60	2.30	NBR	SIA-1373
OR25501560-64	15.60	2.55	FKM	SIA-2605

Bold sizes are readily available in stock.
Other material are available on request.

Part No.	d	c/s	Material	Mould No.
OR27001560-08	15.60	2.70	NBR	SIA-291
OR33001560-39	15.60	3.30	VMQ	SIA-2522
OR35001560-10	15.60	3.50	NBR	SIA-3034
OR12001565-41	15.65	1.20	VMQ	SIA-3103
OR16101570-64	15.70	1.61	FKM	SIA-1615
OR18001570-L5	15.70	1.80	PU	POA-534
OR34001570-42	15.70	3.40	VMQ	SIA-2769
OR41501570-64	15.70	4.15	FKM	SIA-3229
OR12001580-64	15.80	1.20	FKM	SIA-1158
OR16001580-08	15.80	1.60	NBR	SIA-168
OR16001580-32	15.80	1.60	EPDM	SIA-3266
OR17001580-08	15.80	1.70	NBR	SIA-1845
OR18001580-08	15.80	1.80	NBR	SIA-152
OR20001580-64	15.80	2.00	FKM	SIA-1173
OR20001580-08	15.80	2.00	NBR	SIA-2047
OR22001580-64	15.80	2.20	FKM	SIA-1429
OR24001580-08	15.80	2.40	NBR	SIA-1119
OR24001580-08	15.80	2.40	NBR	SIA-1270
OR24001580-08	15.80	2.40	NBR	SIA-1843
OR24001580-64	15.80	2.40	FKM	SIA-946
OR25001580-64	15.80	2.50	FKM	SIA-2208
OR26201580-06	15.80	2.62	NBR	SIA-1636
OR27001580-08	15.80	2.70	NBR	SIA-1192
OR34001580-08	15.80	3.40	NBR	SIA-2960
OR36001580-64	15.80	3.60	FKM	SIA-1067
OR36001580-34	15.80	3.60	EPDM	SIA-1001
OR47001580-08	15.80	4.70	NBR	SIB-283
OR48001580-64	15.80	4.80	FKM	SIB-1250
OR19501585-89	15.85	1.95	PU	POA-541
OR26201588-64	15.88	2.62	FKM	SIA-1072
OR26201588-08	15.88	2.62	NBR	SIA-121
OR28201588-66	15.88	2.82	FKM	SIA-2784
OR31701588-08	15.88	3.17	NBR	SIA-1840
OR15001590-T3	15.90	1.50	EPDM	SIA-2534
OR24001590-08	15.90	2.40	NBR	SIA-406
OR35301590-08	15.90	3.53	NBR	SIA-2092
OR26201598-R1	15.98	2.62	NBR	SIA-1690
OR10001600-64	16.00	1.00	FKM	SIA-2226
OR10001600-08	16.00	1.00	NBR	SIA-371
OR12501600-64	16.00	1.25	FKM	SIA-867
OR15001600-08	16.00	1.50	NBR	SIA-665
OR15001600-64	16.00	1.50	FKM	SIA-1032
OR15001600-20	16.00	1.50	CR	SIA-3011
OR15001600-34	16.00	1.50	EPDM	SIA-3097
OR16001600-10	16.00	1.60	NBR	SIA-135
OR16001600-67	16.00	1.60	FKM	SIA-2592
OR17001600-43	16.00	1.70	VMQ	SIA-1675
OR17001600-08	16.00	1.70	NBR	SIA-162
OR17501600-08	16.00	1.75	NBR	SIA-915
OR17501600-08	16.00	1.75	NBR	SIA-923
OR17501600-D5	16.00	1.75	HNBR	SIA-3070
OR18001600-08	16.00	1.80	NBR	SIA-3081
OR19001600-08	16.00	1.90	NBR	SIA-1519
OR19001600-64	16.00	1.90	FKM	SIA-2653
OR20001600-64	16.00	2.00	FKM	SIA-1195
OR20001600-08	16.00	2.00	NBR	SIA-1049
OR20001600-L5	16.00	2.00	PU	POA-302
OR20001600-08	16.00	2.00	NBR	SIA-274
OR20001600-08	16.00	2.00	NBR	SIA-321
OR20001600-32	16.00	2.00	EPDM	SIA-2614
OR30001600-08	16.00	3.00	NBR	SIA-750
OR22001600-67	16.00	2.20	FKM	SIA-905
OR22501600-08	16.00	2.25	NBR	SIA-1555
OR23001600-64	16.00	2.30	FKM	SIA-2932
OR24001600-08	16.00	2.40	FKM	SIA-1672
OR24001600-66	16.00	2.40	FKM	SIA-1772
OR24001600-08	16.00	2.40	NBR	SIA-1705
OR24001600-L5	16.00	2.40	PU	POA-439
OR25001600-64	16.00	2.50	FKM	SIA-1241
OR25001600-08	16.00	2.50	NBR	SIA-108
OR25001600-08	16.00	2.50	NBR	SIA-236
OR25001600-08	16.00	2.50	NBR	SIA-400
OR25001600-10	16.00	2.50	NBR	SIA-746

Part No.	d	c/s	Material	Mould No.
OR25001600-L5	16.00	2.50	PU	POA-385
OR25001600-43	16.00	2.50	VMQ	SIA-2133
OR26201600-08	16.00	2.62	NBR	SIA-1744
OR26201600-10	16.00	2.62	NBR	SIA-1900
OR26501600-T9	16.00	2.65	FKM	SIA-2619
OR27001600-64	16.00	2.70	FKM	SIA-1073
OR28001600-64	16.00	2.80	FKM	SIA-3027
OR30001600-08	16.00	3.00	NBR	SIA-123
OR30001600-64	16.00	3.00	FKM	SIA-1174
OR30001600-08	16.00	3.00	NBR	SIA-1828
OR30001600-43	16.00	3.00	VMQ	SIA-1849
OR30001600-08	16.00	3.00	NBR	SIA-221
OR30001600-J3	16.00	3.00	Butyl Rubber	SIA-1651
OR30001600-U4	16.00	3.00	EPDM	SIA-2514
OR30001600-U2	16.00	3.00	FKM	SIA-2623
OR31501600-64	16.00	3.15	FKM	SIA-2862
OR32001600-08	16.00	3.20	NBR	SIA-363
OR35001600-08	16.00	3.50	NBR	SIA-281
OR35001600-64	16.00	3.50	FKM	SIA-2842
OR40001600-64	16.00	4.00	FKM	SIA-2285
OR40001600-08	16.00	4.00	NBR	SIA-120
OR40001600-08	16.00	4.00	NBR	SIA-110
OR45001600-08	16.00	4.50	NBR	SIA-284
OR45001600-20	16.00	4.50	CR	SIA-1437
OR50001600-08	16.00	5.00	NBR	SIB-508
OR53301600-64	16.00	5.33	FKM	SIB-2272
OR60001600-08	16.00	6.00	NBR	SIB-556
OR63001600-32	16.00	6.30	EPDM	SIB-2911
OR23501608-64	16.08	2.35	FKM	SIA-2856
OR16001610-65	16.10	1.60	FKM	SIA-1421
OR16001610-08	16.10	1.60	NBR	SIA-2404
OR27001610-08	16.10	2.70	NBR	SIA-655
OR31701618-20	16.18	3.17	CR	SIA-3100
OR16001620-08	16.20	1.60	NBR	SIA-2323
OR22501620-08	16.20	2.25	NBR	SIA-1824
OR25001620-D6	16.20	2.50	HNBR	SIA-3032
OR26501620-08	16.20	2.65	NBR	SIA-1113
OR32001620-64	16.20	3.20	FKM	SIA-2857
OR18001625-U2	16.25	1.80	FKM	SIA-2353
OR21001625-O3	16.25	2.10	NBR	SIA-1033
OR22001625-L5	16.25	2.20	PU	POA-496
OR22501625-08	16.25	2.25	NBR	SIA-1933
OR15001630-04	16.30	1.50	NBR	SIA-2773
OR19001630-08	16.30	1.90	NBR	SIA-2865
OR20001630-32	16.30	2.00	EPDM	SIA-1679
OR20001630-11	16.30	2.00	NBR	SIA-2411
OR20001630-65	16.30	2.00	FKM	SIA-2765
OR21001630-64	16.30	2.10	FKM	SIA-1071
OR24001630-11	16.30	2.40	NBR	SIA-764
OR24001630-64	16.30	2.40	FKM	SIA-1424
OR24001630-66	16.30	2.40	FKM	SIA-724
OR24001630-08	16.30	2.40	NBR	SIA-2579
OR25001630-T5	16.30	2.50	EPDM	SIA-2933
OR27001630-08	16.30	2.70	NBR	SIA-2915
OR30001630-T5	16.30	3.00	EPDM	SIA-3185
OR45001630-43	16.30	4.50	VMQ	SIB-2048
OR35301634-64	16.34	3.53	FKM	SIA-2896
OR22001635-11	16.35	2.20	NBR	SIA-2263
OR22001636-64	16.36	2.20	FKM	SIA-2126
OR22101636-08	16.36	2.21	NBR	SIA-1074
OR22101636-11	16.36	2.21	NBR	SIA-1940
OR22101636-P5	16.36	2.21	NBR	SIA-917
OR22101636-64	16.36	2.21	FKM	SIA-2555
OR14001640-59	16.40	1.40	PU	POA-524
OR13401646-08	16.46	1.34	NBR	SIA-1236
OR13001650-08	16.50	1.30	NBR	SIA-498
OR15001650-08	16.50	1.50	NBR	SIA-588
OR16001650-31	16.50	1.60	EPDM	SIA-2767
OR16001650-08	16.50	1.60	NBR	SIA-3278
OR18001650-10	16.50	1.80	NBR	SIA-493
OR19001650-66	16.50	1.90	FKM	SIA-2854
OR20001650-10	16.50	2.00	NBR	SIA-190
OR20001650-08	16.50	2.00	NBR	SIA-2809

Bold sizes are readily available in stock.
 Other material are available on request.

Part No.	d	c/s	Material	Mould No.
OR22001650-20	16.50	2.20	CR	SIA-2257
OR22501650-04	16.50	2.25	FKM	SIA-2477
OR22501650-67	16.50	2.25	FKM	SIA-3001
OR23001650-64	16.50	2.30	FKM	SIA-3239
OR25001650-64	16.50	2.50	FKM	SIA-1281
OR25001650-08	16.50	2.50	NBR	SIA-418
OR26201650-66	16.50	2.65	FKM	SIA-2169
OR27001650-08	16.50	2.70	NBR	SIA-203
OR27501650-66	16.50	2.75	FKM	SIA-1025
OR28501650-66	16.50	2.85	FKM	SIA-1026
OR29001650-66	16.50	2.90	FKM	SIA-1479
OR30001650-64	16.50	3.00	FKM	SIA-1056
OR30001650-08	16.50	3.00	NBR	SIA-885
OR33001650-07	16.50	3.30	NBR	SIA-1160
OR35001650-08	16.50	3.50	NBR	SIA-2293
OR35001650-64	16.50	3.50	FKM	SIA-2796
OR40001650-64	16.50	4.00	FKM	SIA-2039
OR21501655-03	16.55	2.15	NBR	SIA-1556
OR17801656-65	16.56	1.78	FKM	SIA-1676
OR22001660-64	16.60	2.20	FKM	SIA-2595
OR24001660-08	16.60	2.40	NBR	SIA-314
OR26201660-08	16.60	2.62	NBR	SIA-1792
OR27001660-64	16.60	2.70	FKM	SIA-1321
OR28001660-08	16.60	2.80	NBR	SIA-2407
OR38001660-10	16.60	3.80	NBR	SIA-2872
OR36301666-08	16.66	3.63	NBR	SIA-847
OR26001670-43	16.70	2.60	VMQ	SIA-1380
OR34001670-08	16.70	3.40	NBR	SIA-1106
OR17801675-64	16.75	1.78	FKM	SIA-944
OR22001675-08	16.75	2.20	NBR	SIA-2142
OR16301676-08	16.76	1.63	NBR	SIA-2533
OR17801678-08	16.78	1.78	NBR	SIA-3178
OR20001680-64	16.80	2.00	FKM	SIA-1968
OR23001680-08	16.80	2.30	NBR	SIA-807
OR24001680-66	16.80	2.40	FKM	SIA-2609
OR29001680-64	16.80	2.90	FKM	SIA-1189
OR53301681-64	16.81	5.33	FKM	SIB-2190
OR53301682-08	16.82	5.33	NBR	SIB-998
OR16601684-08	16.84	1.66	NBR	SIA-2488
OR37201684-64	16.84	3.72	FKM	SIA-1503
OR26201690-08	16.90	2.62	NBR	SIA-1175
OR27001690-J3	16.90	2.70	Butyl Rubber	SIA-1341
OR27001690-08	16.90	2.70	NBR	SIA-3156
OR63501690-64	16.90	6.35	FKM	SIB-2433
OR10001700-08	17.00	1.00	NBR	SIA-2316
OR10001700-66	17.00	1.00	FKM	SIA-1052
OR10001700-32	17.00	1.00	EPDM	SIA-934
OR12001700-D5	17.00	1.20	HNBR	SIA-2883
OR12501700-08	17.00	1.25	NBR	SIA-1287
OR15001700-11	17.00	1.50	NBR	SIA-793
OR15001700-66	17.00	1.50	FKM	SIA-1133
OR16501700-66	17.00	1.65	FKM	SIA-2736
OR17001700-66	17.00	1.70	FKM	SIA-2737
OR18001700-67	17.00	1.80	FKM	SIA-1337
OR18001700-D5	17.00	1.80	HNBR	SIA-2372
OR18001700-08	17.00	1.80	NBR	SIA-1602
OR19001700-67	17.00	1.90	FKM	SIA-3182
OR19501700-D5	17.00	1.95	HNBR	SIA-2757
OR20001700-64	17.00	2.00	FKM	SIA-1201
OR20001700-08	17.00	2.00	NBR	SIA-495
OR20001700-R1	17.00	2.00	FVMQ	SIA-2648
OR21001700-87	17.00	2.10	PU	POA-392
OR22001700-08	17.00	2.20	NBR	SIA-3249
OR22501700-64	17.00	2.25	FKM	SIA-1848
OR22501700-08	17.00	2.25	NBR	SIA-2639
OR23001700-08	17.00	2.30	NBR	SIA-2362
OR24001700-08	17.00	2.40	NBR	SIA-1794
OR25001700-05	17.00	2.50	NBR	SIA-1664
OR25001700-08	17.00	2.50	NBR	SIA-486
OR25001700-08	17.00	2.50	NBR	SIA-202
OR25001700-08	17.00	2.50	NBR	SIA-725
OR25001700-64	17.00	2.50	FKM	SIA-761
OR25001700-08	17.00	2.50	NBR	SIA-1035

Part No.	d	c/s	Material	Mould No.
OR25001700-L5	17.00	2.50	PU	POA-349
OR25001700-43	17.00	2.50	VMQ	SIA-2489
OR26001700-L5	17.00	2.60	PU	POA-253
OR26001700-08	17.00	2.60	NBR	SIA-341
OR26801700-67	17.00	2.68	FKM	SIA-1608
OR27501700-64	17.00	2.75	FKM	SIA-2838
OR28001700-08	17.00	2.80	NBR	SIA-144
OR28001700-64	17.00	2.80	FKM	SIA-2788
OR30001700-64	17.00	3.00	FKM	SIA-1512
OR30001700-08	17.00	3.00	NBR	SIA-450
OR30001700-43	17.00	3.00	VMQ	SIA-2827
OR34001700-66	17.00	3.40	FKM	SIA-1480
OR34001700-67	17.00	3.40	FKM	SIA-2387
OR35001700-08	17.00	3.50	NBR	SIA-147
OR36001700-66	17.00	3.60	FKM	SIA-1446
OR40001700-67	17.00	4.00	FKM	SIA-1440
OR40001700-08	17.00	4.00	NBR	SIA-377
OR40001700-Q2	17.00	4.00	PU	POA-472
OR45001700-08	17.00	4.50	NBR	SIB-2315
OR50001700-08	17.00	5.00	NBR	SIB-171
OR55001700-08	17.00	5.50	NBR	SIB-3186
OR60001700-T9	17.00	6.00	FKM	SIB-2296
OR65001700-08	17.00	6.50	NBR	SIB-1093
OR80001700-T2	17.00	8.00	VMQ	SIB-3288
OR65003200-64	17.00	6.50	FKM	SIB-432
OR35301704-08	17.04	3.53	NBR	SIA-102
OR35301704-30	17.04	3.53	EPDM	SIA-2067
OR35301704-64	17.04	3.53	FKM	SIA-1403
OR16001710-08	17.10	1.60	NBR	SIA-2275
OR16001710-64	17.10	1.60	FKM	SIA-1350
OR26201712-11	17.12	2.62	NBR	SIA-1217
OR26201712-64	17.12	2.62	FKM	SIA-1255
OR26201712-N8	17.12	2.62	NBR	SIA-1094
OR26201712-N8	17.12	2.62	NBR	SIA-950
OR26201712-66	17.12	2.62	FKM	SIA-967
OR26201712-64	17.12	2.62	FKM	SIA-988
OR26201712-08	17.12	2.62	NBR	SIA-669
OR26201712-67	17.12	2.62	FKM	SIA-2560
OR26201712-43	17.12	2.62	VMQ	SIA-2442
OR26201712-D5	17.12	2.62	HNBR	SIA-3098
OR28201712-11	17.12	2.82	NBR	SIA-2582
OR31501712-64	17.12	3.15	FKM	SIA-1263
OR26201713-87	17.13	2.62	PU	POA-538
OR26201713-L5	17.13	2.62	PU	POA-550
OR15001715-08	17.15	1.50	NBR	SIA-3267
OR17801716-20	17.16	1.78	CR	SIA-3152
OR17801716-08	17.16	1.78	NBR	SIA-3142
OR17801717-64	17.17	1.78	FKM	SIA-1211
OR17801717-11	17.17	1.78	NBR	SIA-1015
OR17801717-D5	17.17	1.78	HNBR	SIA-2022
OR17801717-08	17.17	1.78	NBR	SIA-528
OR17801717-43	17.17	1.78	VMQ	SIA-2804
OR15001720-65	17.20	1.50	FKM	SIA-2763
OR17501720-23	17.20	1.75	CR	SIA-1752
OR17801720-R3	17.20	1.78	PU	POA-445
OR20001720-64	17.20	2.00	FKM	SIA-3111
OR24001720-43	17.20	2.40	VMQ	SIA-1643
OR24001720-08	17.20	2.40	NBR	SIA-2012
OR35001720-L5	17.20	3.50	PU	POA-506
OR26001725-43	17.25	2.60	VMQ	SIA-1423
OR26201728-64	17.28	2.62	FKM	SIA-1402
OR22001730-08	17.30	2.20	NBR	SIA-2301
OR22001730-D5	17.30	2.20	HNBR	SIA-2052
OR22001730-64	17.30	2.20	FKM	SIA-2979
OR24001730-64	17.30	2.40	FKM	SIA-1315
OR24001730-08	17.30	2.40	NBR	SIA-803
OR25001730-64	17.30	2.50	FKM	SIA-2604
OR26801730-L5	17.30	2.68	PU	POA-407
OR27001730-08	17.30	2.70	NBR	SIA-1280
OR28501730-08	17.30	2.85	NBR	SIA-141
OR13001740-08	17.40	1.30	NBR	SIA-2163
OR18001740-08	17.40	1.80	NBR	SIA-2253
OR18001740-64	17.40	1.80	FKM	SIA-2942

Bold sizes are readily available in stock.
Other material are available on request.

Part No.	d	c/s	Material	Mould No.
OR21001740-67	17.40	2.10	FKM	SIA-1603
OR23001740-10	17.40	2.30	NBR	SIA-1275
OR30001740-08	17.40	3.00	NBR	SIA-1141
OR80001740-08	17.40	8.00	NBR	SIB-3001
OR23801746-08	17.46	2.38	NBR	SIA-464
OR26201746-64	17.46	2.62	FKM	SIA-3010
OR15801747-08	17.47	1.58	NBR	SIA-186
OR10001750-43	17.50	1.00	VMQ	SIA-2398
OR15001750-64	17.50	1.50	FKM	SIA-617
OR15001750-64	17.50	1.50	FKM	SIA-107
OR15001750-11	17.50	1.50	NBR	SIA-2124
OR15001750-D5	17.50	1.50	HNBR	SIA-2925
OR16001750-62	17.50	1.60	FKM	SIA-2886
OR17001750-64	17.50	1.70	FKM	SIA-2553
OR18301750-08	17.50	1.83	NBR	SIA-1887
OR20001750-64	17.50	2.00	FKM	SIA-1008
OR20001750-59	17.50	2.00	PU	POA-382
OR20001750-08	17.50	2.00	NBR	SIA-758
OR22001750-43	17.50	2.20	VMQ	SIA-1336
OR23001750-43	17.50	2.30	VMQ	SIA-2065
OR25001750-08	17.50	2.50	NBR	SIA-657
OR25001750-08	17.50	2.50	NBR	SIA-444
OR25001750-08	17.50	2.50	NBR	SIA-1053
OR25001750-45	17.50	2.50	VMQ	SIA-2482
OR27501750-08	17.50	2.75	NBR	SIA-2304
OR27501750-43	17.50	2.75	VMQ	SIA-2101
OR28001750-64	17.50	2.80	FKM	SIA-2036
OR28301750-08	17.50	2.83	NBR	SIA-1888
OR29001750-66	17.50	2.90	FKM	SIA-1028
OR30001750-08	17.50	3.00	NBR	SIA-103
OR30001750-67	17.50	3.00	FKM	SIA-1276
OR30001750-32	17.50	3.00	EPDM	SIA-2525
OR35001750-64	17.50	3.50	FKM	SIA-849
OR40001750-10	17.50	4.00	NBR	SIB-2835
OR15101755-08	17.55	1.51	NBR	SIA-2581
OR15101755-64	17.55	1.51	FKM	SIA-2926
OR22501750-08	17.55	2.25	NBR	SIA-736
OR26201756-11	17.56	2.62	NBR	SIA-2134
OR12001760-66	17.60	1.20	FKM	SIA-2898
OR17801760-64	17.60	1.78	FKM	SIA-2990
OR17801760-08	17.60	1.78	NBR	SIA-3288
OR18001760-08	17.60	1.80	NBR	SIA-546
OR23001760-43	17.60	2.30	VMQ	SIA-1856
OR24001760-08	17.60	2.40	NBR	SIA-1376
OR24001760-64	17.60	2.40	FKM	SIA-1377
OR24001760-S4	17.60	2.40	HNBR	SIA-2672
OR25001760-L5	17.60	2.50	PU	POA-423
OR27001760-08	17.60	2.70	NBR	SIA-560
OR34201764-64	17.64	3.42	FKM	SIA-1505
OR53301764-08	17.64	5.33	NBR	SIB-2200
OR23001770-08	17.70	2.30	NBR	SIA-1029
OR26001772-64	17.72	2.60	FKM	SIA-899
OR60701778-64	17.78	6.07	FKM	SIB-2684
OR16001780-T7	17.80	1.60	FKM	SIA-2266
OR17801780-S4	17.80	1.78	HNBR	SIA-3186
OR18001780-08	17.80	1.80	NBR	SIA-2135
OR18501780-67	17.80	1.85	FKM	SIA-1761
OR20001780-64	17.80	2.00	FKM	SIA-1245
OR22001780-64	17.80	2.20	FKM	SIA-3165
OR23001780-08	17.80	2.30	NBR	SIA-2920
OR24001780-66	17.80	2.40	FKM	SIA-1116
OR24001780-08	17.80	2.40	NBR	SIA-670
OR24001780-64	17.80	2.40	FKM	SIA-1786
OR26201780-87	17.80	2.62	PU	POA-355
OR30001780-08	17.80	3.00	NBR	SIA-2201
OR31001780-20	17.80	3.10	CR	SIA-2580
OR26201785-R1	17.85	2.62	FVMQ	SIA-2651
OR26201786-35	17.86	2.62	EPDM	SIA-3004
OR26201786-S4	17.86	2.62	HNBR	SIA-3145
OR26201786-67	17.86	2.62	FKM	SIA-3177
OR17801788-59	17.88	1.78	PU	POA-320
OR10001790-43	17.90	1.00	VMQ	SIA-2630
OR12501790T-5	17.90	1.25	EPDM	SIA-3043

Part No.	d	c/s	Material	Mould No.
OR26001790-08	17.90	2.60	NBR	SIA-318
OR28001790-08	17.90	2.80	NBR	SIA-1808
OR13501791-66	17.91	1.35	FKM	SIA-2290
OR13501791-08	17.91	1.35	NBR	SIA-1016
OR24601793-10	17.93	2.46	NBR	SIA-1425
OR24601793-L4	17.93	2.46	PU	POA-430
OR16301796-64	17.96	1.63	FKM	SIA-1617
OR26201796-08	17.96	2.62	NBR	SIA-1019
OR10001800-08	18.00	1.00	NBR	SIA-150
OR10001800-64	18.00	1.00	FKM	SIA-2416
OR12001800-10	18.00	1.20	NBR	SIA-1045
OR12001800-64	18.00	1.20	FKM	SIA-3161
OR12501800-08	18.00	1.25	NBR	SIA-2066
OR13001800-32	18.00	1.30	EPDM	SIA-1826
OR14001800-10	18.00	1.40	NBR	SIA-1138
OR15001800-T9	18.00	1.50	FKM	SIA-1130
OR15001800-08	18.00	1.50	NBR	SIA-368
OR15001800-T5	18.00	1.50	EPDM	SIA-3292
OR15801800-D5	18.00	1.58	HNBR	SIA-1221
OR15801800-08	18.00	1.58	NBR	SIA-2078
OR17501800-08	18.00	1.75	NBR	SIA-429
OR17801800-32	18.00	1.78	EPDM	SIA-2968
OR18001800-64	18.00	1.80	FKM	SIA-1621
OR18001800-08	18.00	1.80	NBR	SIA-1569
OR20001800-64	18.00	2.00	FKM	SIA-1234
OR20001800-08	18.00	2.00	NBR	SIA-730
OR20001800-08	18.00	2.00	NBR	SIA-270
OR21001800-08	18.00	2.10	NBR	SIA-246
OR21001800-67	18.00	2.10	FKM	SIA-2551
OR22001800-08	18.00	2.20	NBR	SIA-1947
OR22001800-67	18.00	2.20	FKM	SIA-1584
OR22501800-43	18.00	2.25	VMQ	SIA-2241
OR22501800-08	18.00	2.25	NBR	SIA-463
OR23001800-L5	18.00	2.30	PU	POA-486
OR23501800-70	18.00	2.35	FKM	SIA-2420
OR24001800-08	18.00	2.40	NBR	SIA-497
OR25001800-L5	18.00	2.50	PU	POA-329
OR25001800-64	18.00	2.50	FKM	SIA-778
OR25001800-08	18.00	2.50	NBR	SIA-234
OR26201800-64	18.00	2.62	FKM	SIA-1496
OR26501800-08	18.00	2.65	NBR	SIA-2125
OR26801800-11	18.00	2.68	NBR	SIA-1225
OR26801800-10	18.00	2.68	NBR	SIA-1867
OR27001800-11	18.00	2.70	NBR	SIA-2585
OR28001800-43	18.00	2.80	VMQ	SIA-153
OR30001800-08-MD	18.00	3.00	NBR	SIA-2264
OR30001800-43	18.00	3.00	VMQ	SIA-2302
OR30001800-64	18.00	3.00	FKM	SIA-1170
OR30001800-66	18.00	3.00	FKM	SIA-969
OR30001800-08	18.00	3.00	NBR	SIA-322
OR30001800-08	18.00	3.00	NBR	SIA-354
OR32001800-10	18.00	3.20	NBR	SIA-1300
OR32001800-64	18.00	3.20	FKM	SIA-2485
OR33001800-64	18.00	3.30	FKM	SIA-2988
OR35001800-43	18.00	3.50	VMQ	SIA-1324
OR35001800-L5	18.00	3.50	PU	POA-203
OR35001800-43	18.00	3.50	VMQ	SIA-1836
OR35001800-08	18.00	3.50	NBR	SIA-756
OR35001800-08	18.00	3.50	NBR	SIA-408
OR35001800-64	18.00	3.50	FKM	SIA-2677
OR40001800-08	18.00	4.00	NBR	SIB-703
OR40001800-08	18.00	4.00	NBR	SIB-530
OR40001800-T9	18.00	4.00	FKM	SIB-2499
OR40001800-34	18.00	4.00	EPDM	SIB-2846
OR45001800-08	18.00	4.50	NBR	SIB-636
OR50001800-64	18.00	5.00	FKM	SIB-477
OR50001800-08	18.00	5.00	NBR	SIB-253
OR55001800-64	18.00	5.50	FKM	SIB-1950
OR55001800-08	18.00	5.50	NBR	SIB-2624
OR60001800-08	18.00	6.00	NBR	SIB-2087
OR62001800-08	18.00	6.20	NBR	SIB-1277
OR70001800-08	18.00	7.00	NBR	SIB-563
OR10001800-67	18.00	10.00	FKM	SIB-2808

Bold sizes are readily available in stock.
 Other material are available on request.

Part No.	d	c/s	Material	Mould No.
OR10001800-08	18.00	10.00	NBR	SIB-2088
OR16001810-06	18.10	1.60	NBR	SIA-995
OR16001810-64	18.10	1.60	FKM	SIA-3251
OR17801814-64	18.14	1.78	FKM	SIA-1510
OR17801814-O4	18.14	1.78	FKM	SIA-1200
OR17801814-08	18.14	1.78	CR	SIA-895
OR18001820-11	18.20	1.80	Natural Rubber	SIA-3305
OR27001820-64	18.20	2.70	FKM	SIA-902
OR30001820-64	18.20	3.00	FKM	SIA-2791
OR32001820-66	18.20	3.20	FKM	SIA-2724
OR33001820-66	18.20	3.30	FKM	SIA-2722
OR34001820-66	18.20	3.40	FKM	SIA-2723
OR35001820-T2	18.20	3.50	VMQ	SIB-2140
OR78701825-64	18.25	7.87	FKM	SIB-2613
OR26201826-10	18.26	2.62	NBR	SIA-2187
OR26201826-CM	18.26	2.62	FKM	SIA-3303
OR30401826-08	18.26	3.04	NBR	SIA-2300
OR20001830-64	18.30	2.00	FKM	SIA-1167
OR24001830-08	18.30	2.40	NBR	SIA-1091
OR24001830-64	18.30	2.40	FKM	SIA-782
OR33001830-08	18.30	3.30	NBR	SIA-1213
OR36001830-08	18.30	3.60	NBR	SIB-1457
OR36001830-R1	18.30	3.60	FVMQ	SIB-3232
OR18001835-65	18.35	1.80	FKM	SIA-2377
OR22601838-08	18.38	2.26	NBR	SIA-2750
OR23001840-08	18.40	2.30	NBR	SIA-2624
OR27001840-64	18.40	2.70	FKM	SIA-1238
OR27001840-08	18.40	2.70	NBR	SIA-1014
OR27001840-20	18.40	2.70	CR	SIA-3275
OR53301842-64	18.42	5.33	FKM	SIB-2187
OR53301842-08	18.42	5.33	NBR	SIB-808
OR10001850-08	18.50	1.00	NBR	SIA-2755
OR15001850-08	18.50	1.50	NBR	SIA-550
OR15001850-64	18.50	1.50	FKM	SIA-2646
OR16001850-08	18.50	1.60	NBR	SIA-618
OR17801850-08	18.50	1.78	NBR	SIA-620
OR19001850-64	18.50	1.90	FKM	SIA-2130
OR20001850-08	18.50	2.00	NBR	SIA-689
OR23501850-23	18.50	2.35	CR	SIA-1753
OR22001850-08	18.50	2.20	NBR	SIA-2248
OR25001850-08	18.50	2.50	NBR	SIA-276
OR25001850-64	18.50	2.50	FKM	SIA-2206
OR25001850-08	18.50	2.50	NBR	SIA-1787
OR25001850-L5	18.50	2.50	PU	POA-536
OR26201850-08	18.50	2.62	NBR	SIA-1257
OR28001850-32	18.50	2.80	EPDM	SIA-1611
OR30001850-64	18.50	3.00	FKM	SIA-2205
OR30001850-08	18.50	3.00	NBR	SIA-729
OR30001850-L5	18.50	3.00	PU	POA-434
OR35001850-08	18.50	3.50	NBR	SIB-228
OR35001850-L5	18.50	3.50	PU	POA-504
OR36201850-64	18.50	3.62	FKM	SIB-3256
OR37501850-08	18.50	3.75	NBR	SIB-713
OR40001850-64	18.50	4.00	FKM	SIB-2366
OR40001850-CC	18.50	4.00	NBR	SIB-2834
OR40001850-08	18.50	4.00	NBR	SIB-3076
OR45001850-08	18.50	4.50	NBR	SIB-2691
OR50001850-08	18.50	5.00	NBR	SIB-2198
OR50001850-T2	18.50	5.00	VMQ	SIB-2710
OR55001850-08	18.50	5.50	NBR	SIB-2614
OR13501851-08	18.51	1.35	NBR	SIA-804
OR24001860-08	18.60	2.40	NBR	SIA-904
OR24001860-32	18.60	2.40	EPDM	SIA-2594
OR24001860-11	18.60	2.40	NBR	SIA-3023
OR24001860-43	18.60	2.40	VMQ	SIA-2836
OR42001860-64	18.60	4.20	FKM	SIB-2663
OR50001860-10	18.60	5.00	NBR	SIB-2400
OR35301864-06	18.64	3.53	NBR	SIA-1009
OR15701864-64	18.64	1.57	FKM	SIA-2874
OR35301864-64	18.64	3.53	FKM	SIB-1059
OR35301864-06	18.64	3.53	NBR	SIB-1109
OR35301864-66	18.64	3.53	FKM	SIB-1902
OR35301864-08	18.64	3.53	NBR	SIB-698

Part No.	d	c/s	Material	Mould No.
OR35301864-11	18.64	3.53	NBR	SIB-3010
OR35301866-08	18.66	3.53	NBR	SIB-1704
OR15001870-08	18.70	1.50	NBR	SIA-1667
OR25001870-43	18.70	2.50	VMQ	SIA-1657
OR25001870-08	18.70	2.50	NBR	SIA-2777
OR26501870-11	18.70	2.65	NBR	SIA-3071
OR34501870-08	18.70	3.45	NBR	SIB-3021
OR26201872-D5	18.72	2.62	HNBR	SIA-1766
OR26201872-08	18.72	2.62	NBR	SIA-1020
OR26201872-08	18.72	2.62	NBR	SIA-742
OR26201872-64	18.72	2.62	FKM	SIA-700
OR26201872-BL	18.72	2.62	CR	SIA-434
OR26201872-32	18.72	2.62	EPDM	SIA-2826
OR26201872-20	18.72	2.62	CR	SIA-2835
OR27201872-D5	18.72	2.72	HNBR	SIA-3066
OR28201872-11	18.72	2.82	NBR	SIA-2583
OR30001872-08	18.72	3.00	NBR	SIA-1701
OR23501875-64	18.75	2.35	FKM	SIA-2396
OR17801877-S4	18.77	1.78	HNBR	SIA-2021
OR17801877-08	18.77	1.78	NBR	SIA-1010
OR17801877-L5	18.77	1.78	PU	POA-103
OR17801877-08	18.77	1.78	NBR	SIA-572
OR17801877-64	18.77	1.78	FKM	SIA-743
OR17801877-32	18.77	1.78	EPDM	SIA-3016
OR10001880-64	18.80	1.00	FKM	SIA-161
OR17001880-11	18.80	1.70	NBR	SIA-912
OR20001880-08	18.80	2.00	NBR	SIA-2005
OR24001880-11	18.80	2.40	NBR	SIA-1093
OR26501880-45	18.80	2.65	VMQ	SIA-2888
OR31001880-08	18.80	3.10	NBR	SIA-2349
OR36001880-32	18.80	3.60	EPDM	SIB-2780
OR18001890-64	18.90	1.80	FKM	SIA-2528
OR18001890-L5	18.90	1.80	PU	POA-533
OR28001890-08	18.90	2.80	NBR	SIA-1985
OR10001900-43	19.00	1.00	VMQ	SIA-2204
OR10001900-64	19.00	1.00	FKM	SIA-1214
OR10001900-08	19.00	1.00	NBR	SIA-470
OR12001900-43	19.00	1.20	VMQ	SIA-1879
OR12001900-O4	19.00	1.20	FKM	SIA-2268
OR12001900-08	19.00	1.20	NBR	SIA-1773
OR13001900-64	19.00	1.30	FKM	SIA-3024
OR15001900-64	19.00	1.50	FKM	SIA-1246
OR15001900-64	19.00	1.50	FKM	SIA-1866
OR15001900-08	19.00	1.50	NBR	SIA-185
OR16001900-08	19.00	1.60	NBR	SIA-128
OR16001900-67	19.00	1.60	FKM	SIB-2074
OR16201900-64	19.00	1.62	FKM	SIA-1729
OR17501900-08	19.00	1.75	NBR	SIA-1528
OR17501900-T2	19.00	1.75	VMQ	SIA-1927
OR17501900-64	19.00	1.75	FKM	SIA-2991
OR17801900-R3	19.00	1.78	PU	POA-447
OR18001900-10	19.00	1.80	NBR	SIA-1153
OR18501900-64	19.00	1.85	FKM	SIA-3110
OR19001900-08	19.00	1.90	NBR	SIA-1002
OR20001900-64	19.00	2.00	FKM	SIA-1007
OR20001900-08	19.00	2.00	NBR	SIA-156
OR20001900-43	19.00	2.00	VMQ	SIA-1831
OR20001900-66	19.00	2.00	FKM	SIA-2869
OR20001900-59	19.00	2.00	PU	POA-194
OR21001900-66	19.00	2.10	FKM	SIA-1478
OR22001900-11	19.00	2.20	NBR	SIA-2484
OR22501900-08	19.00	2.25	NBR	SIA-1577
OR23001900-D5	19.00	2.30	HNBR	SIA-1348
OR24001900-08	19.00	2.40	NBR	SIA-290
OR25001900-08	19.00	2.50	NBR	SIA-154
OR25001900-66	19.00	2.50	FKM	SIA-1498
OR25001900-11	19.00	2.50	NBR	SIA-1096
OR25001900-11	19.00	2.50	NBR	SIA-287
OR25001900-08	19.00	2.50	NBR	SIA-244
OR25001900-08	19.00	2.50	NBR	SIA-411
OR25001900-64	19.00	2.50	FKM	SIA-1395
OR25001900-43	19.00	2.50	VMQ	SIA-3114
OR26001900-43	19.00	2.60	VMQ	SIA-1645

Bold sizes are readily available in stock.
Other material are available on request.

Part No.	d	c/s	Material	Mould No.
OR26201900-08	19.00	2.62	NBR	SIA-1605
OR26201900-L5	19.00	2.62	PU	POA-487
OR26201900-D5	19.00	2.62	HNBR	SIA-3067
OR26501900-64	19.00	2.65	FKM	SIA-957
OR27001900-08	19.00	2.70	NBR	SIA-2061
OR27001900-64	19.00	2.70	FKM	SIA-3143
OR27501900-64	19.00	2.75	FKM	SIA-916
OR27801900-D5	19.00	2.78	HNBR	SIA-3065
OR28001900-67	19.00	2.80	FKM	SIA-385
OR28001900-08	19.00	2.80	NBR	SIA-3240
OR28001900-04	19.00	2.80	NBR	SIA-3159
OR28601900-64	19.00	2.86	FKM	SIA-3073
OR30001900-10	19.00	3.00	NBR	SIA-114
OR30001900-64	19.00	3.00	FKM	SIA-1513
OR30001900-L5	19.00	3.00	PU	POA-346
OR30001900-08	19.00	3.00	NBR	SIA-204
OR30001900-30	19.00	3.00	EPDM	SIA-3200
OR32001900-08	19.00	3.20	NBR	SIB-429
OR32501900-08	19.00	3.25	NBR	SIB-1482
OR35001900-08	19.00	3.50	NBR	SIB-167
OR35001900-08	19.00	3.50	NBR	SIB-431
OR35001900-64	19.00	3.50	FKM	SIB-3093
OR35301900-O4	19.00	3.53	FKM	SIB-2257
OR35501900-67	19.00	3.55	FKM	SIB-1012
OR35501900-08	19.00	3.55	NBR	SIB-1760
OR38001900-64	19.00	3.80	FKM	SIB-2121
OR40001900-64	19.00	4.00	FKM	SIB-434
OR40001900-08	19.00	4.00	NBR	SIB-572
OR45001900-64	19.00	4.50	FKM	SIB-485
OR45001900-08	19.00	4.50	NBR	SIB-2633
OR47501900-08	19.00	4.75	NBR	SIB-2348
OR50001900-08	19.00	5.00	NBR	SIB-168
OR58001900-08	19.00	5.80	NBR	SIB-1359
OR60001900-08	19.00	6.00	NBR	SIB-153
OR60001900-41	19.00	6.00	VMQ	SIB-2869
OR65001900-08	19.00	6.50	NBR	SIB-2349
OR70001900-66	19.00	7.00	FKM	SIB-1079
OR70001900-08	19.00	7.00	NBR	SIB-484
OR10001900-62	19.00	10.00	FKM	SIB-2968
OR10001900-08	19.00	10.00	NBR	SIB-3170
OR16001900-08	19.00	16.00	NBR	SIC-787
OR26701903-64	19.03	2.67	FKM	SIA-1504
OR23801905-64	19.05	2.38	FKM	SIA-2120
OR23801905-08	19.05	2.38	NBR	SIA-2465
OR26201905-08	19.05	2.62	NBR	SIA-653
OR31701905-08	19.05	3.17	NBR	SIB-415
OR16001910-64	19.10	1.60	FKM	SIA-2613
OR16001910-58	19.10	1.60	FVMQ	SIA-3000
OR17801910-12	19.10	1.78	NBR	SIA-2934
OR57001910-64	19.10	5.70	FKM	SIB-1394
OR57001910-64	19.10	5.70	FKM	SIB-1396
OR15101912-64	19.12	1.51	FKM	SIA-1801
OR24601918-11	19.18	2.46	NBR	SIA-1123
OR24601918-L3	19.18	2.46	AFLAS	SIA-2996
OR15001920-64	19.20	1.50	FKM	SIA-3095
OR24001920-43	19.20	2.40	VMQ	SIA-1695
OR24001920-08	19.20	2.40	NBR	SIA-2013
OR26201920-64	19.20	2.62	FKM	SIA-2972
OR30001920-08	19.20	3.00	NBR	SIB-581
OR31001920-10	19.20	3.10	NBR	SIB-1307
OR26001925-08	19.25	2.60	NBR	SIA-2610
OR18001930-08	19.30	1.80	NBR	SIA-806
OR18001930-64	19.30	1.80	FKM	SIA-2258
OR18001930-43	19.30	1.80	VMQ	SIA-2927
OR18001930-43	19.30	1.80	VMQ	SIA-3060
OR20001930-64	19.30	2.00	FKM	SIA-3284
OR22001930-66	19.30	2.20	FKM	SIA-919
OR22001930-11	19.30	2.20	NBR	SIA-2075
OR22001930-D5	19.30	2.20	HNBR	SIA-2171
OR24001930-67	19.30	2.40	FKM	SIA-2690
OR24001930-34	19.30	2.40	EPDM	SIA-3269
OR29001935-08	19.35	2.90	NBR	SIB-2583
OR12001940-T2	19.40	1.20	VMQ	SIA-1954

Part No.	d	c/s	Material	Mould No.
OR18001940-43	19.40	1.80	VMQ	SIA-3146
OR20001940-08	19.40	2.00	NBR	SIA-1969
OR21001940-08	19.40	2.10	NBR	SIA-1145
OR21001940-66	19.40	2.10	FKM	SIA-3271
OR27001940-35	19.40	2.70	EPDM	SIA-3123
OR27001940-67	19.40	2.70	FKM	SIA-3115
OR28001940-64	19.40	2.80	FKM	SIA-1854
OR29001940-43	19.40	2.90	VMQ	SIB-2485
OR31001940-08	19.40	3.10	NBR	SIB-1485
OR35501940-08	19.40	3.55	NBR	SIB-2127
OR35501940-08	19.40	3.55	FKM	SIB-2820
OR10001950-08	19.50	1.00	NBR	SIA-467
OR10001950-D5	19.50	1.00	HNBR	SIA-2381
OR15001950-08	19.50	1.50	NBR	SIA-1797
OR17501950-64	19.50	1.75	FKM	SIA-1618
OR18001950-08	19.50	1.80	NBR	SIA-821
OR20001950-64	19.50	2.00	FKM	SIA-1966
OR22501950-08	19.50	2.25	NBR	SIA-1920
OR23001950-64	19.50	2.30	FKM	SIA-2355
OR23001950-11	19.50	2.30	NBR	SIA-2069
OR24001950-08	19.50	2.40	NBR	SIA-1422
OR25001950-08	19.50	2.50	NBR	SIA-883
OR25001950-23	19.50	2.50	CR	SIA-2309
OR25001950-T2	19.50	2.50	VMQ	SIA-2152
OR25001950-64	19.50	2.50	FKM	SIA-3052
OR25001950-67	19.50	2.50	FKM	SIA-3223
OR26001950-08	19.50	2.60	NBR	SIA-511
OR26001950-64	19.50	2.60	FKM	SIA-2072
OR26201950-32	19.50	2.62	EPDM	SIA-2806
OR27001950-08	19.50	2.70	NBR	SIA-272
OR28001950-08	19.50	2.80	NBR	SIB-3151
OR30001950-32	19.50	3.00	EPDM	SIB-1225
OR30001950-43	19.50	3.00	VMQ	SIB-1647
OR30001950-08	19.50	3.00	NBR	SIB-543
OR30001950-R1	19.50	3.00	FVMQ	SIB-2755
OR30001950-67	19.50	3.00	FKM	SIB-3063
OR35001950-32	19.50	3.50	EPDM	SIB-1861
OR35301950-Z1	19.50	3.53	NBR	SIB-2060
OR36001950-R1	19.50	3.60	FVMQ	SIB-3126
OR40001950-D5	19.50	4.00	HNBR	SIB-3130
OR50001950-08	19.50	5.00	NBR	SIB-2082
OR60001950-08	19.50	6.00	NBR	SIB-1615
OR13501960-64	19.60	1.35	FKM	SIA-3203
OR15001960-64	19.60	1.50	FKM	SIA-1176
OR23001960-08	19.60	2.30	NBR	SIA-2027
OR24001960-08	19.60	2.40	NBR	SIA-1841
OR24001960-08	19.60	2.40	NBR	SIA-1120
OR24001960-65	19.60	2.40	FKM	SIA-1420
OR24001960-32	19.60	2.40	EPDM	SIA-3205
OR57001960-08	19.60	5.70	NBR	SIB-3313
OR32301965-08	19.65	3.23	NBR	SIB-2266
OR25001966-08	19.66	2.50	NBR	SIA-1624
OR16001970-08	19.70	1.60	NBR	SIA-2795
OR17801970-08	19.70	1.78	NBR	SIA-2059
OR20001970-08	19.70	2.00	NBR	SIA-2794
OR22501970-64	19.70	2.25	FKM	SIA-2875
OR26201970-20	19.70	2.62	CR	SIA-3221
OR27501970-66	19.70	2.75	FKM	SIB-1415
OR30001970-08	19.70	3.00	NBR	SIB-1312
OR30001970-08	19.70	3.00	NBR	SIB-1471
OR32001971-64	19.71	3.20	FKM	SIB-2886
OR26201976-08	19.76	2.62	NBR	SIA-1816
OR14001980-67	19.80	1.40	FKM	SIA-1181
OR18001980-D5	19.80	1.80	HNBR	SIA-2537
OR19001980-08	19.80	1.90	NBR	SIA-2358
OR22001980-08	19.80	2.20	NBR	SIA-1739
OR24001980-08	19.80	2.40	NBR	SIA-1475
OR24001980-66	19.80	2.40	FKM	SIA-1117
OR24001980-67	19.80	2.40	FKM	SIA-573
OR24001980-67	19.80	2.40	FKM	SIA-1360
OR24001980-68	19.80	2.40	FKM	SIA-1973
OR24501980-64	19.80	2.45	FKM	SIA-3218
OR25601980-10	19.80	2.56	NBR	SIA-1218

Bold sizes are readily available in stock.
 Other material are available on request.

Part No.	d	c/s	Material	Mould No.
OR36001980-64	19.80	3.60	FKM	SIB-2236
OR36001980-08	19.80	3.60	NBR	SIB-2126
OR36001980-D5	19.80	3.60	HNBR	SIB-3148
OR43001980-08	19.80	4.30	NBR	SIB-2546
OR50001980-08	19.80	5.00	NBR	SIB-2092
OR18001990-08	19.90	1.80	NBR	SIA-2633
OR32001990-64	19.90	3.20	FKM	SIB-3322
OR94001993-D6	19.93	9.40	HNBR	SIB-3253
OR23201998-64	19.98	2.32	FKM	SIA-3074
OR53301999-64	19.99	5.33	FKM	SIB-2185
OR53301999-08	19.99	5.33	NBR	SIB-805
OR40002000-64	20.00	4.00	FKM	SIA-982
OR10002000-64	20.00	1.00	FKM	SIA-2156
OR10002000-08	20.00	1.00	NBR	SIA-208
OR10002000-33	20.00	1.00	EPDM	SIA-2153
OR10002000-43	20.00	1.00	VMQ	SIA-3260
OR12002000-08	20.00	1.20	NBR	SIA-3168
OR12002000-39	20.00	1.20	VMQ	SIA-3196
OR12502000-64	20.00	1.25	FKM	SIA-1628
OR13002000-08	20.00	1.30	NBR	SIA-1868
OR13002000-67	20.00	1.30	FKM	SIA-3025
OR15002000-08	20.00	1.50	NBR	SIA-187
OR15002000-64	20.00	1.50	FKM	SIA-687
OR16002000-64	20.00	1.60	FKM	SIA-943
OR16002000-64	20.00	1.60	FKM	SIA-2194
OR17002000-08	20.00	1.70	NBR	SIA-2662
OR17002000-64	20.00	1.70	FKM	SIA-3121
OR17502000-64	20.00	1.75	FKM	SIA-2051
OR17502000-08	20.00	1.75	NBR	SIB-2144
OR17802000-66	20.00	1.78	FKM	SIA-2107
OR18002000-66	20.00	1.80	FKM	SIA-1027
OR18002000-08	20.00	1.80	NBR	SIA-196
OR18002000-41	20.00	1.80	VMQ	SIA-2014
OR20002000-08	20.00	2.00	NBR	SIA-1103
OR20002000-D5	20.00	2.00	HNBR	SIA-1392
OR20002000-64	20.00	2.00	FKM	SIA-1374
OR20002000-08	20.00	2.00	NBR	SIA-205
OR20002000-08	20.00	2.00	NBR	SIA-432
OR22002000-08	20.00	2.20	NBR	SIA-850
OR22002000-64	20.00	2.20	FKM	SIA-2461
OR24002000-08	20.00	2.40	NBR	SIB-1384
OR24002000-66	20.00	2.40	FKM	SIA-2608
OR25002000-08	20.00	2.50	NBR	SIA-1776
OR25002000-08	20.00	2.50	NBR	SIA-129
OR25002000-L5	20.00	2.50	PU	POA-208
OR25002000-43	20.00	2.50	VMQ	SIA-1393
OR25002000-64	20.00	2.50	FKM	SIA-777
OR25002000-64	20.00	2.50	FKM	SIA-2383
OR26002000-10	20.00	2.60	NBR	SIB-830
OR26202000-64	20.00	2.62	FKM	SIB-1886
OR26502000-64	20.00	2.65	FKM	SIB-2385
OR26502000-08	20.00	2.65	NBR	SIB-2101
OR27002000-08	20.00	2.70	NBR	SIB-690
OR27002000-08	20.00	2.70	NBR	SIB-341
OR27502000-20	20.00	2.75	CR	SIB-1431
OR28002000-66	20.00	2.80	FKM	SIB-1533
OR30002000-32	20.00	3.00	EPDM	SIB-2331
OR30002000-43	20.00	3.00	VMQ	SIB-1406
OR30002000-64	20.00	3.00	FKM	SIB-873
OR30002000-08	20.00	3.00	NBR	SIB-455
OR30002000-58	20.00	3.00	NBR	SIB-1570
OR30002000-08	20.00	3.00	NBR	SIB-238
OR30002000-67	20.00	3.00	FKM	SIB-3064
OR30002000-33	20.00	3.00	EPDM	SIB-3045
OR30002000-L5	20.00	3.00	PU	POA-516
OR31502000-11	20.00	3.15	NBR	SIB-1146
OR31702000-08	20.00	3.17	NBR	SIB-733
OR33002000-64	20.00	3.30	FKM	SIB-2492
OR34002000-08	20.00	3.40	NBR	SIB-1381
OR35002000-08	20.00	3.50	NBR	SIB-389
OR35002000-64	20.00	3.50	FKM	SIB-1450
OR35002000-L5	20.00	3.50	PU	POA-500
OR35002000-T5	20.00	3.50	EPDM	SIB-3062

Part No.	d	c/s	Material	Mould No.
OR35302000-12	20.00	3.53	NBR	SIB-3339
OR40002000-08	20.00	4.00	NBR	SIB-411
OR40002000-64	20.00	4.00	FKM	SIB-1619
OR40002000-43	20.00	4.00	VMQ	SIB-2896
OR42002000-08	20.00	4.20	NBR	SIB-142
OR42502000-08	20.00	4.25	NBR	SIB-302
OR43002000-08	20.00	4.30	NBR	SIB-2888
OR46002000-08	20.00	4.60	NBR	SIB-692
OR50002000-18	20.00	5.00	CR	SIB-669
OR50002000-38	20.00	5.00	VMQ	SIB-1332
OR50002000-64	20.00	5.00	FKM	SIB-1238
OR50002000-08	20.00	5.00	NBR	SIB-243
OR55002000-08	20.00	5.50	NBR	SIB-1860
OR60002000-08	20.00	6.00	NBR	SIB-2211
OR80002000-66	20.00	8.00	FKM	SIB-1092
OR87502000-08	20.00	8.75	NBR	SIB-2347
OR20002000-08	20.00	20.00	NBR	SIC-2297
OR16002010-08	20.10	1.60	NBR	SIA-1266
OR13002020-32	20.20	1.30	EPDM	SIA-2297
OR17502020-08	20.20	1.75	NBR	SIA-1984
OR17802020-L5	20.20	1.78	PU	POA-507
OR26202020-M1	20.20	2.62	HNBR	SIB-3157
OR29002020-67	20.20	2.90	FKM	SIB-2933
OR33502022-08	20.22	3.35	NBR	SIB-2517
OR35302022-59	20.22	3.53	PU	POA-410
OR35302022-64	20.22	3.53	FKM	SIB-1265
OR35302022-09	20.22	3.53	NBR	SIB-1055
OR35302022-11	20.22	3.53	NBR	SIB-1880
OR35302022-T5	20.22	3.53	EPDM	SIB-1375
OR35302022-08	20.22	3.53	NBR	SIB-815
OR35302022-67	20.22	3.53	FKM	SIB-1785
OR35302022-11	20.22	3.53	NBR	SIB-2427
OR26202024-64	20.24	2.62	FKM	SIA-1962
OR26202024-08	20.24	2.62	NBR	SIB-1994
OR26202024-10	20.24	2.62	NBR	SIB-3160
OR18002025-08	20.25	1.80	NBR	SIA-3079
OR22902029-10	20.29	2.29	NBR	SIA-1087
OR26202029-10	20.29	2.62	NBR	SIB-2251
OR26202029-T4	20.29	2.62	EPDM	SIB-2191
OR26202029-11	20.29	2.62	NBR	SIB-1098
OR26202029-08	20.29	2.62	NBR	SIB-688
OR26202029-64	20.29	2.62	FKM	SIB-1316
OR26202029-06	20.29	2.62	NBR	SIB-2972
OR27202029-08	20.29	2.72	NBR	SIB-3005
OR10002030-08	20.30	1.00	NBR	SIA-2136
OR24002030-64	20.30	2.40	FKM	SIB-1233
OR24002030-08	20.30	2.40	NBR	SIB-819
OR24002030-39	20.30	2.40	VMQ	SIB-3163
OR25002030-11	20.30	2.50	NBR	SIB-2415
OR26202030-43	20.30	2.62	VMQ	SIB-1367
OR26202030-66	20.30	2.62	FKM	SIB-1534
OR34502030-08	20.30	3.45	NBR	SIB-2461
OR35002030-43	20.30	3.50	VMQ	SIB-1731
OR35002030-08	20.30	3.50	NBR	SIB-1817
OR46002030-08	20.30	4.60	NBR	SIB-3208
OR19102032-08	20.32	1.91	NBR	SIA-2335
OR17802035-64	20.35	1.78	FKM	SIA-2182
OR17802035-66	20.35	1.78	FKM	SIA-1470
OR17802035-03	20.35	1.78	NBR	SIA-1261
OR17802035-08	20.35	1.78	NBR	SIA-215
OR17802035-08	20.35	1.78	NBR	SIA-1881
OR18002035-32	20.35	1.80	EPDM	SIA-1823
OR25002040-10	20.40	2.50	NBR	SIB-2923
OR26202040-D5	20.40	2.62	HNBR	SIB-1678
OR31502040-08	20.40	3.15	NBR	SIB-533
OR17502050-64	20.50	1.75	FKM	SIA-2249
OR17502050-08	20.50	1.75	NBR	SIA-388
OR19002050-08	20.50	1.90	NBR	SIA-2866
OR20002050-08	20.50	2.00	NBR	SIA-785
OR22502050-08	20.50	2.25	NBR	SIA-1399
OR24002050-67	20.50	2.40	FKM	SIB-2052
OR25002050-08	20.50	2.50	NBR	SIB-782
OR25002050-64	20.50	2.50	FKM	SIB-1608

Bold sizes are readily available in stock.
Other material are available on request.

Part No.	d	c/s	Material	Mould No.
OR26002050-08	20.50	2.60	EPDM	SIB-401
OR30002050-11	20.50	3.00	NBR	SIB-2382
OR30002050-08	20.50	3.00	NBR	SIB-2399
OR35002050-08	20.50	3.50	NBR	SIB-2043
OR37502050-08	20.50	3.75	NBR	SIB-635
OR37502050-64	20.50	3.75	FKM	SIB-1988
OR77502050-66	20.50	7.75	FKM	SIB-1297
OR15002060-08	20.60	1.50	NBR	SIA-1777
OR18002060-08	20.60	1.80	NBR	SIA-340
OR22002060-64	20.60	2.20	FKM	SIA-1619
OR23002060-08	20.60	2.30	NBR	SIB-797
OR23002060-67	20.60	2.30	FKM	SIB-2096
OR24002060-11	20.60	2.40	NBR	SIB-251
OR32002060-08	20.60	3.20	NBR	SIB-190
OR26202063-08	20.63	2.62	NBR	SIB-1318
OR26802063-08	20.63	2.68	NBR	SIB-1609
OR23802064-08	20.64	2.38	NBR	SIB-1493
OR26202064-R1	20.64	2.62	FVMQ	SIB-2482
OR26202064-S4	20.64	2.62	HNBR	SIB-3236
OR17002070-08	20.70	1.70	NBR	SIA-2432
OR21502070-08	20.70	2.15	NBR	SIA-3280
OR34002070-11	20.70	3.40	NBR	SIB-2842
OR38002070-64	20.70	3.80	FKM	SIB-1207
OR15102072-64	20.72	1.51	FKM	SIA-2832
OR29502072-64	20.72	2.95	FKM	SIB-1335
OR18502075-08	20.75	1.85	NBR	SIA-3078
OR40002075-08	20.75	4.00	NBR	SIB-869
OR19002080-08	20.80	1.90	NBR	SIA-2963
OR20002080-64	20.80	2.00	FKM	SIA-1172
OR20002080-08	20.80	2.00	NBR	SIA-1704
OR20002080-08	20.80	2.00	NBR	SIA-1873
OR23002080-43	20.80	2.30	VMQ	SIB-1705
OR24002080-09	20.80	2.40	NBR	SIB-1020
OR24002080-66	20.80	2.40	FKM	SIB-1809
OR32002080-67	20.80	3.20	FKM	SIB-2784
OR34002080-64	20.80	3.40	FKM	SIB-1249
OR26202092-08	20.92	2.62	NBR	SIB-1641
OR26202092-64	20.92	2.62	FKM	SIB-2720
OR18002100-67	21.00	1.80	FKM	SIB-1458
OR10002100-32	21.00	1.00	EPDM	SIA-2307
OR10002100-08	21.00	1.00	NBR	SIA-930
OR10002100-43	21.00	1.00	VMQ	SIA-1815
OR10002100-64	21.00	1.00	FKM	SIA-2813
OR15002100-08	21.00	1.50	NBR	SIA-1322
OR15002100-64	21.00	1.50	FKM	SIA-376
OR18002100-11	21.00	1.80	NBR	SIA-854
OR20002100-64	21.00	2.00	FKM	SIA-1477
OR20002100-L5	21.00	2.00	PU	POA-113
OR20002100-67	21.00	2.00	FKM	SIA-1585
OR20002100-08	21.00	2.00	NBR	SIA-602
OR22502100-08	21.00	2.25	NBR	SIB-3139
OR24002100-10	21.00	2.40	NBR	SIB-419
OR25002100-66	21.00	2.50	FKM	SIB-1159
OR25002100-08	21.00	2.50	NBR	SIB-447
OR25002100-64	21.00	2.50	FKM	SIB-467
OR25002100-39	21.00	2.50	VMQ	SIB-2469
OR25002100-D5	21.00	2.50	HNBR	SIB-3252
OR26002100-D6	21.00	2.60	HNBR	SIB-3184
OR27002100-08	21.00	2.70	NBR	SIB-1947
OR30002100-64	21.00	3.00	FKM	SIB-1644
OR30002100-08	21.00	3.00	NBR	SIB-558
OR35002100-64	21.00	3.50	FKM	SIB-1650
OR35002100-43	21.00	3.50	VMQ	SIB-1373
OR35002100-08	21.00	3.50	NBR	SIB-222
OR37002100-D6	21.00	3.70	HNBR	SIB-3185
OR40002100-08	21.00	4.00	NBR	SIB-143
OR45002100-08	21.00	4.50	NBR	SIB-2168
OR45002100-64	21.00	4.50	FKM	SIB-2123
OR50002100-34	21.00	5.00	EPDM	SIB-1389
OR50002100-08	21.00	5.00	NBR	SIB-324
OR50002100-R1	21.00	5.00	FVMQ	SIB-2792
OR55002100-08	21.00	5.50	NBR	SIB-384
OR55002100-32	21.00	5.50	EPDM	SIB-3190

Part No.	d	c/s	Material	Mould No.
OR60002100-06	21.00	6.00	NBR	SIB-680
OR70002100-32	21.00	7.00	EPDM	SIB-652
OR18902102-T7	21.02	1.89	FKM	SIA-2345
OR13502108-66	21.08	1.35	FKM	SIA-2292
OR16002110-08	21.10	1.60	NBR	SIA-1971
OR12002120-64	21.20	1.20	FKM	SIA-2100
OR14002120-64	21.20	1.40	FKM	SIA-1169
OR17802120-08	21.20	1.78	NBR	SIA-1154
OR18002120-08	21.20	1.80	NBR	SIA-1750
OR18002120-66	21.20	1.80	FKM	SIB-1241
OR20002120-08	21.20	2.00	NBR	SIA-249
OR26202120-O4	21.20	2.62	FKM	SIB-2395
OR26502120-64	21.20	2.65	FKM	SIB-1597
OR26502120-08	21.20	2.65	NBR	SIB-880
OR28002120-65	21.20	2.80	FKM	SIB-2426
OR30002120-64	21.20	3.00	FKM	SIB-1408
OR35502120-64	21.20	3.55	FKM	SIB-1050
OR47002120-08	21.20	4.70	NBR	SIB-2701
OR20002124-43	21.24	2.00	VMQ	SIB-2319
OR37002180-08	21.28	3.70	NBR	SIB-2009
OR38002130-32	21.30	3.80	EPDM	SIA-1354
OR17002130-11	21.30	1.70	NBR	SIA-914
OR17502130-08	21.30	1.75	NBR	SIA-2150
OR22002130-65	21.30	2.20	FKM	SIB-3237
OR24002130-64	21.30	2.40	FKM	SIB-1310
OR24002130-08	21.30	2.40	NBR	SIB-2070
OR25002130-64	21.30	2.50	FKM	SIB-2929
OR35002130-08	21.30	3.50	NBR	SIB-629
OR36002130-J3	21.30	3.60	Butyl Rubber	SIB-844
OR36002130-R1	21.30	3.60	FVMQ	SIB-3052
OR36002130-66	21.30	3.60	FKM	SIB-3209
OR40002130-10	21.30	4.00	NBR	SIB-3019
OR46002130-08	21.30	4.60	NBR	SIB-592
OR24102139-64	21.39	2.41	FKM	SIB-1557
OR17802140-64	21.40	1.78	FKM	SIA-1140
OR17802140-64	21.40	1.78	FKM	SIA-1320
OR20002140-08	21.40	2.00	NBR	SIB-176
OR33002140-64	21.40	3.30	FKM	SIB-2159
OR38002140-D6	21.40	3.80	HNBR	SIB-1228
OR38002140-08	21.40	3.80	HNBR	SIB-1813
OR35702143-08	21.43	3.57	NBR	SIB-762
OR15002150-64	21.50	1.50	FKM	SIA-1678
OR15002150-08	21.50	1.50	NBR	SIA-955
OR15002150-R1	21.50	1.50	FVMQ	SIA-3309
OR18002150-08	21.50	1.80	NBR	SIB-2301
OR20002150-64	21.50	2.00	FKM	SIB-1982
OR20002150-10	21.50	2.00	NBR	SIB-2725
OR22502150-08	21.50	2.25	NBR	SIB-277
OR24002150-08	21.50	2.40	NBR	SIB-2484
OR25002150-08	21.50	2.50	NBR	SIB-790
OR25002150-67	21.50	2.50	FKM	SIB-2787
OR26202150-08	21.50	2.62	NBR	SIB-3295
OR30002150-08	21.50	3.00	NBR	SIB-660
OR30002150-64	21.50	3.00	FKM	SIB-2506
OR36002150-D5	21.50	3.60	HNBR	SIB-1229
OR36002150-08	21.50	3.60	NBR	SIB-1443
OR36002150-08	21.50	3.60	NBR	SIB-226
OR11402155-64	21.55	1.14	FKM	SIA-3170
OR22602155-64	21.55	2.26	FKM	SIB-1836
OR53302159-64	21.59	5.33	FKM	SIB-1299
OR53302159-64	21.59	5.33	FKM	SIB-2781
OR10002160-T9	21.60	1.00	FKM	SIA-2284
OR10002160-20	21.60	1.00	CR	SIA-2470
OR12002160-08	21.60	1.20	NBR	SIA-2046
OR15002160-08	21.60	1.50	NBR	SIA-893
OR17002160-08	21.60	1.70	NBR	SIB-2022
OR19002160-08	21.60	1.90	NBR	SIB-3104
OR20002160-08	21.60	2.00	NBR	SIB-1986
OR20002160-64	21.60	2.00	FKM	SIB-2542
OR24002160-10	21.60	2.40	NBR	SIB-2504
OR26002160-64	21.60	2.60	FKM	SIB-2693
OR32002160-67	21.60	3.20	FKM	SIB-1510
OR35002160-64	21.60	3.50	FKM	SIB-127

Bold sizes are readily available in stock.
 Other material are available on request.

Part No.	d	c/s	Material	Mould No.
OR53302160-08	21.60	5.33	NBR	SIB-809
OR18702168-43	21.68	1.87	VMQ	SIB-1445
OR25002170-64	21.70	2.50	FKM	SIB-2618
OR30002170-43	21.70	3.00	VMQ	SIB-1288
OR35002170-08	21.70	3.50	NBR	SIB-1393
OR35002170-68	21.70	3.50	FKM	SIB-1244
OR35002170-08	21.70	3.50	NBR	SIB-1662
OR36002170-D6	21.70	3.60	HNBR	SIB-3154
OR48002170-D5	21.70	4.80	HNBR	SIB-3328
OR50002170-64	21.70	5.00	FKM	SIB-938
OR15002174-08	21.74	1.50	NBR	SIA-2211
OR17802175-64	21.75	1.78	FKM	SIB-1611
OR24202177-T7	21.77	2.42	FKM	SIB-2446
OR17002180-08	21.80	1.70	NBR	SIB-1610
OR20002180-64	21.80	2.00	FKM	SIB-1934
OR23002180-67	21.80	2.30	FKM	SIB-2786
OR24002180-64	21.80	2.40	FKM	SIB-1013
OR24002180-10	21.80	2.40	NBR	SIB-956
OR35002180-08	21.80	3.50	NBR	SIB-1800
OR36002180-08	21.80	3.60	NBR	SIB-834
OR55002180-43	21.80	5.50	VMQ	SIB-1596
OR34002182-11	21.82	3.40	NBR	SIB-1741
OR35302182-10	21.82	3.53	NBR	SIB-234
OR35302182-64	21.82	3.53	FKM	SIB-1487
OR35302182-08	21.82	3.53	NBR	SIB-778
OR35302182-BA	21.82	3.53	FKM	SIB-2453
OR35302182-26	21.82	3.53	EPDM	SIB-2444
OR25002185-64	21.85	2.50	FKM	SIB-1352
OR45002185-08	21.85	4.50	NBR	SIB-2690
OR26202189-T4	21.89	2.62	EPDM	SIB-2192
OR26202189-66	21.89	2.62	FKM	SIB-1034
OR26202189-64	21.89	2.62	FKM	SIB-1263
OR26202189-08	21.89	2.62	NBR	SIB-1088
OR26202189-66	21.89	2.62	FKM	SIB-1086
OR26202189-08	21.89	2.62	NBR	SIB-842
OR26202189-11	21.89	2.62	NBR	SIB-1808
OR26202190-32	21.90	2.62	EPDM	SIB-2318
OR26202190-64	21.90	2.62	FKM	SIB-1977
OR35302190-R3	21.90	3.53	PU	POA-360
OR17902192-T7	21.92	1.79	FKM	SIB-2356
OR29402192-08	21.92	2.94	NBR	SIB-2252
OR29502192-10	21.92	2.95	NBR	SIB-1505
OR17802195-64	21.95	1.78	FKM	SIB-1216
OR17802195-08	21.95	1.78	NBR	SIB-871
OR17802195-67	21.95	1.78	FKM	SIB-2563
OR17802195-43	21.95	1.78	VMQ	SIB-2612
OR17802195-10	21.95	1.78	NBR	SIB-2777
OR10002200-64	22.00	1.00	FKM	SIA-2192
OR10002200-08	22.00	1.00	NBR	SIA-633
OR14002200-64	22.00	1.40	FKM	SIA-1077
OR14002200-08	22.00	1.40	NBR	SIA-2162
OR11002200-43	22.00	1.10	VMQ	SIA-3232
OR12002200-43	22.00	1.20	VMQ	SIA-3231
OR13002200-08	22.00	1.30	NBR	SIA-1670
OR14002200-43	22.00	1.40	VMQ	SIA-3233
OR15002200-R1	22.00	1.50	FVMQ	SIA-1691
OR15002200-08	22.00	1.50	NBR	SIA-994
OR15002200-64	22.00	1.50	FKM	SIA-952
OR15002200-T7	22.00	1.50	FKM	SIA-2549
OR16002200-45	22.00	1.60	VMQ	SIB-1569
OR17002200-08	22.00	1.70	NBR	SIB-175
OR17502200-64	22.00	1.75	FKM	SIB-1932
OR17802200-64	22.00	1.78	FKM	SIB-2608
OR18002200-08	22.00	1.80	NBR	SIB-264
OR18002200-D5	22.00	1.80	HNBR	SIB-2067
OR20002200-87	22.00	2.00	PU	POA-245
OR20002200-64	22.00	2.00	FKM	SIB-1295
OR20002200-10	22.00	2.00	NBR	SIB-1333
OR20002200-08	22.00	2.00	NBR	SIB-259
OR22502200-08	22.00	2.25	NBR	SIB-1679
OR22002200-08	22.00	2.20	NBR	SIB-2230
OR22002200-67	22.00	2.20	FKM	SIB-2785
OR23002200-64	22.00	2.30	FKM	SIB-901

Part No.	d	c/s	Material	Mould No.
OR24002200-66	22.00	2.40	FKM	SIB-1424
OR24002200-08	22.00	2.40	NBR	SIB-317
OR25002200-08	22.00	2.50	NBR	SIB-820
OR25002200-64	22.00	2.50	FKM	SIB-1946
OR25002200-64	22.00	2.50	FKM	SIB-1474
OR26202200-64	22.00	2.62	FKM	SIB-1749
OR28002200-08	22.00	2.80	NBR	SIB-649
OR30002200-59	22.00	3.00	PU	POA-406
OR30002200-64	22.00	3.00	FKM	SIB-1062
OR30002200-08	22.00	3.00	NBR	SIB-438
OR30002200-08	22.00	3.00	NBR	SIB-417
OR30002200-08	22.00	3.00	NBR	SIB-1653
OR30002200-T9	22.00	3.00	FKM	SIB-2496
OR30002200-43	22.00	3.00	VMQ	SIB-2844
OR31002200-64	22.00	3.10	FKM	SIB-1057
OR32002200-43	22.00	3.20	VMQ	SIB-693
OR33002200-08	22.00	3.30	NBR	SIB-547
OR33002200-64	22.00	3.30	FKM	SIB-3142
OR35002200-10	22.00	3.50	NBR	SIB-246
OR35002200-08	22.00	3.50	NBR	SIB-147
OR35002200-08	22.00	3.50	NBR	SIB-1945
OR35002200-64	22.00	3.50	FKM	SIB-2419
OR35302200-64	22.00	3.53	FKM	SIB-858
OR35302200-R3	22.00	3.53	PU	POA-480
OR36002200-08	22.00	3.60	NBR	SIB-1372
OR37002200-08	22.00	3.70	NBR	SIB-914
OR40002200-66	22.00	4.00	FKM	SIB-1082
OR40002200-08	22.00	4.00	NBR	SIB-217
OR40002200-64	22.00	4.00	FKM	SIB-3070
OR45002200-08	22.00	4.50	NBR	SIB-895
OR50002200-64	22.00	5.00	FKM	SIB-1127
OR50002200-08	22.00	5.00	NBR	SIB-221
OR60002200-08	22.00	6.00	NBR	SIB-336
OR60002200-08	22.00	6.00	NBR	SIB-2042
OR70002200-64	22.00	7.00	FKM	SIB-2422
OR70002200-20	22.00	7.00	CR	SIB-2507
OR70002200-08	22.00	7.00	NBR	SIB-2932
OR75002200-08	22.00	7.50	NBR	SIB-3138
OR95002200-64	22.00	9.50	FKM	SIB-2403
OR10002200-08	22.00	10.00	NBR	SIB-2625
OR16302203-08	22.03	1.63	NBR	SIB-1599
OR23502206-67	22.06	2.35	FKM	SIB-1729
OR16002210-64	22.10	1.60	FKM	SIB-883
OR16002210-10	22.10	1.60	NBR	SIB-2019
OR16002210-58	22.10	1.60	FVMQ	SIB-3036
OR17802210-R3	22.10	1.78	PU	POA-361
OR18002210-L5	22.10	1.80	PU	POA-501
OR19002210-66	22.10	1.90	NBR	SIB-1433
OR27002210-64	22.10	2.70	FKM	SIB-2161
OR31802216-08	22.16	3.18	NBR	SIB-122
OR20002218-43	22.18	2.00	VMQ	SIB-2452
OR30002220-11	22.20	3.00	NBR	SIA-1090
OR21002220-64	22.20	2.10	FKM	SIB-2534
OR30002220-10	22.20	3.00	NBR	SIB-300
OR30002220-20	22.20	3.00	CR	SIB-3049
OR30002220-64	22.20	3.00	FKM	SIB-3114
OR35002220-08	22.20	3.50	NBR	SIB-230
OR15802222-08	22.22	1.58	NBR	SIB-1914
OR25002222-M4	22.22	2.50	FVMQ	SIB-3266
OR31702222-08	22.22	3.17	NBR	SIB-329
OR31702222-64	22.22	3.17	FKM	SIB-3270
OR35302222-64	22.22	3.53	FKM	SIB-1727
OR26202223-08	22.23	2.62	NBR	SIB-387
OR17502225-64	22.25	1.75	FKM	SIB-2826
OR24002230-08	22.30	2.40	NBR	SIB-295
OR24002230-67	22.30	2.40	FKM	SIB-3225
OR24002230-30	22.30	2.40	EPDM	SIB-3221
OR15002232-08	22.32	1.50	NBR	SIB-1889
OR19002237-64	22.37	1.90	FKM	SIB-1351
OR30202238-08	22.38	3.02	NBR	SIB-2769
OR18002240-08	22.40	1.80	NBR	SIB-1300
OR18002240-32	22.40	1.80	EPDM	SIB-2405
OR20002240-D5	22.40	2.00	HNBR	SIB-1799

Bold sizes are readily available in stock.
Other material are available on request.

Part No.	d	c/s	Material	Mould No.
OR25002240-08	22.40	2.50	NBR	SIB-2094
OR26502240-08	22.40	2.65	NBR	SIB-1637
OR26502240-32	22.40	2.65	EPDM	SIB-2910
OR30002240-T4	22.40	3.00	EPDM	SIB-2210
OR33002240-64	22.40	3.30	FKM	SIB-2158
OR34502240-64	22.40	3.45	FKM	SIB-2515
OR36502240-64	22.40	3.65	FKM	SIB-2516
OR12002250-43	22.50	1.20	VMQ	SIA-1906
OR12002250-T3	22.50	1.20	EPDM	SIA-2535
OR12002250-T7	22.50	1.20	FKM	SIA-2494
OR15002250-08	22.50	1.50	NBR	SIB-978
OR17502250-08	22.50	1.75	NBR	SIB-1954
OR20002250-64	22.50	2.00	FKM	SIB-2245
OR20002250-08	22.50	2.00	NBR	SIB-640
OR20002250-S8	22.50	2.00	NBR	SIB-1616
OR20002250-S9	22.50	2.00	VMQ	SIB-2532
OR21502250-08	22.50	2.15	NBR	SIB-702
OR22502250-08	22.50	2.25	NBR	SIB-1667
OR25002240-64	22.50	2.40	FKM	SIB-3222
OR25002250-08	22.50	2.50	NBR	SIB-781
OR25002250-T2	22.50	2.50	VMQ	SIB-2141
OR26202250-L5	22.50	2.62	PU	POA-328
OR27002250-64	22.50	2.70	FKM	SIB-1412
OR30002250-89	22.50	3.00	PU	POA-479
OR30502250-T2	22.50	3.05	VMQ	SIB-1866
OR35002250-08	22.50	3.50	NBR	SIB-2307
OR35302250-43	22.50	3.53	VMQ	SIB-2760
OR40002250-08	22.50	4.00	NBR	SIB-2305
OR45002250-64	22.50	4.50	FKM	SIB-1920
OR50002250-08	22.50	5.00	NBR	SIB-2716
OR26202252-64	22.52	2.62	FKM	SIA-1109
OR26202252-64	22.52	2.62	FKM	SIB-1743
OR36002252-T9	22.52	3.60	FKM	SIB-3276
OR20002260-64	22.60	2.00	FKM	SIB-1224
OR24002260-08	22.60	2.40	NBR	SIB-772
OR26202260-08	22.60	2.62	NBR	SIB-1607
OR29002260-63	22.60	2.90	FKM	SIB-2081
OR30002260-08	22.60	3.00	NBR	SIB-119
OR35002260-43	22.60	3.50	VMQ	SIA-2097
OR36002260-41	22.60	3.60	VMQ	SIB-1968
OR21802268-11	22.68	2.18	NBR	SIB-3244
OR15002270-08	22.70	1.50	NBR	SIB-2735
OR15002270-64	22.70	1.50	FKM	SIB-2556
OR20002270-08	22.70	2.00	NBR	SIB-2640
OR26202270-43	22.70	2.62	VMQ	SIB-2377
OR26202270-08	22.70	2.62	NBR	SIB-2961
OR40002270-64	22.70	4.00	FKM	SIB-3315
OR15002274-06	22.74	1.50	NBR	SIB-2213
OR26202279-64	22.79	2.62	FKM	SIB-1449
OR26102280-D6	22.80	2.61	HNBR	SIB-2550
OR54002280-D5	22.80	5.40	HNBR	SIB-2136
OR18002290-08	22.90	1.80	NBR	SIB-3260
OR18802293-T7	22.93	1.88	FKM	SIB-2357
OR10002300-64	23.00	1.00	FKM	SIA-2296
OR10002300-08	23.00	1.00	NBR	SIA-575
OR11002300-64	23.00	1.10	FKM	SIB-2284
OR12002300-43	23.00	1.20	VMQ	SIB-2918
OR13002300-08	23.00	1.30	NBR	SIB-2237
OR13002300-43	23.00	1.30	VMQ	SIB-2919
OR15002300-08	23.00	1.50	NBR	SIB-578
OR15002300-64	23.00	1.50	FKM	SIB-611
OR15002300-43	23.00	1.50	VMQ	SIB-2493
OR16002300-64	23.00	1.60	FKM	SIB-1967
OR17002300-08	23.00	1.70	NBR	SIB-2941
OR17502350-D5	23.00	1.75	HNBR	SIB-3230
OR18002300-64	23.00	1.80	FKM	SIB-1966
OR20002300-L5	23.00	2.00	PU	POA-387
OR20002300-64	23.00	2.00	FKM	SIB-1278
OR20002300-67	23.00	2.00	FKM	SIB-824
OR20002300-32	23.00	2.00	EPDM	SIB-1680
OR20002300-08	23.00	2.00	NBR	SIB-392
OR22002300-L5	23.00	2.20	PU	POA-456
OR22502300-08	23.00	2.25	NBR	SIB-856

Part No.	d	c/s	Material	Mould No.
OR25002300-08	23.00	2.50	NBR	SIB-443
OR25002300-08	23.00	2.50	NBR	SIB-449
OR25002300-D5	23.00	2.50	HNBR	SIB-1794
OR25002300-64	23.00	2.50	FKM	SIB-1489
OR25002300-L5	23.00	2.50	PU	POA-474
OR25302300-64	23.00	2.53	FKM	SIB-1298
OR26202300-64	23.00	2.62	FKM	SIB-1204
OR26202300-08	23.00	2.62	NBR	SIB-1478
OR26202300-64	23.00	2.62	FKM	SIB-1430
OR27002300-64	23.00	2.70	FKM	SIB-994
OR27502300-08	23.00	2.75	NBR	SIB-2271
OR29002300-10	23.00	2.90	NBR	SIB-2942
OR30002300-L5	23.00	3.00	PU	POA-418
OR30002300-11	23.00	3.00	NBR	SIB-847
OR30002300-64	23.00	3.00	FKM	SIB-1515
OR30002300-67	23.00	3.00	FKM	SIB-465
OR30002300-08	23.00	3.00	NBR	SIB-410
OR32002300-08	23.00	3.20	NBR	SIB-2218
OR35002300-32	23.00	3.50	EPDM	SIB-1168
OR35002300-64	23.00	3.50	FKM	SIB-1904
OR35002300-08	23.00	3.50	NBR	SIB-183
OR35002300-64	23.00	3.50	FKM	SIB-1242
OR35002300-O4	23.00	3.50	FKM	SIB-3051
OR35302300-08	23.00	3.53	NBR	SIB-1476
OR38002300-08	23.00	3.80	NBR	SIB-2169
OR40002300-08	23.00	4.00	NBR	SIB-125
OR40002300-64	23.00	4.00	FKM	SIB-2743
OR42002300-R1	23.00	4.20	FVMQ	SIB-2793
OR45002300-08	23.00	4.50	NBR	SIB-2016
OR50002300-08	23.00	5.00	NBR	SIB-538
OR60002300-64	23.00	6.00	FKM	SIB-2143
OR60002300-08	23.00	6.00	NBR	SIB-2131
OR65002300-08	23.00	6.50	NBR	SIB-991
OR75002300-08	23.00	7.50	NBR	SIB-3137
OR10002300-08	23.00	10.00	NBR	SIB-2930
OR28002304-20	23.04	2.80	CR	SIB-3314
OR26002307-43	23.07	2.60	VMQ	SIB-2193
OR12002310-08	23.10	1.20	NBR	SIB-1744
OR16002310-08	23.10	1.60	NBR	SIB-3189
OR35002310-64	23.10	3.50	FKM	SIB-2617
OR53302316-64	23.16	5.33	FKM	SIB-2007
OR53302316-08	23.16	5.33	NBR	SIB-806
OR53302317-89	23.17	5.33	PU	POA-540
OR23602320-11	23.20	2.36	NBR	SIB-1567
OR29002320-67	23.20	2.90	FKM	SIB-2934
OR19002322-08	23.22	1.90	NBR	SIB-3243
OR17802325-08	23.25	1.78	NBR	SIB-2033
OR34002325-08	23.25	3.40	NBR	SIB-3056
OR24002330-66	23.30	2.40	FKM	SIB-1419
OR24002330-08	23.30	2.40	NBR	SIB-845
OR46002330-T2	23.30	4.60	VMQ	SIB-2397
OR50002330-08	23.30	5.00	NBR	SIB-2277
OR31702339-08	23.39	3.17	NBR	SIB-843
OR35302339-39	23.39	3.53	VMQ	SIB-2295
OR35302339-11	23.39	3.53	NBR	SIB-1881
OR35302339-64	23.39	3.53	FKM	SIB-1503
OR35302339-08	23.39	3.53	NBR	SIB-757
OR35302339-R1	23.39	3.53	FVMQ	SIB-1732
OR16002340-08	23.40	1.60	NBR	SIB-2299
OR18002340-08	23.40	1.80	NBR	SIB-2908
OR26202340-32	23.40	2.62	EPDM	SIB-2206
OR27002340-08	23.40	2.70	NBR	SIB-2667
OR28002340-67	23.40	2.80	FKM	SIB-1418
OR30002340-08	23.40	3.00	NBR	SIB-466
OR33002340-64	23.40	3.30	FKM	SIB-2157
OR35002340-08	23.40	3.50	NBR	SIB-333
OR35302340-L5	23.40	3.53	PU	POA-238
OR35302340-66	23.40	3.53	FKM	SIB-1270
OR35302342-67	23.42	3.53	FKM	SIB-3043
OR29402346-59	23.46	2.94	PU	POA-509
OR26202347-L5	23.47	2.62	PU	POA-139
OR26202347-08	23.47	2.62	NBR	SIB-309
OR26202347-64	23.47	2.62	FKM	SIB-1951

Bold sizes are readily available in stock.
 Other material are available on request.

Part No.	d	c/s	Material	Mould No.
OR26202347-D5	23.47	2.62	HNBR	SIB-3053
OR26202347-32	23.47	2.62	EPDM	SIB-2843
OR26202347-34	23.47	2.62	EPDM	SIB-3282
OR28202347-11	23.47	2.82	NBR	SIB-2586
OR29502347-08	23.47	2.95	NBR	SIB-1170
OR29502347-32	23.47	2.95	EPDM	SIB-1953
OR29502347-32	23.47	2.95	EPDM	SIB-1955
OR29502347-11	23.47	2.95	NBR	SIB-1601
OR35002347-06	23.47	3.50	NBR	SIB-428
OR10002350-08	23.50	1.00	NBR	SIB-2629
OR11002350-43	23.50	1.10	VMQ	SIB-3079
OR12002350-08	23.50	1.20	NBR	SIB-1745
OR15002350-08	23.50	1.50	NBR	SIB-2119
OR18002350-64	23.50	1.75	FKM	SIB-892
OR17502350-08	23.50	1.75	NBR	SIB-163
OR17802350-67	23.50	1.78	FKM	SIB-2744
OR20002350-64	23.50	2.00	FKM	SIB-1983
OR20002350-06	23.50	2.00	NBR	SIB-967
OR22502350-L5	23.50	2.25	PU	POA-209
OR23702350-08	23.50	2.37	NBR	SIB-1237
OR25002350-64	23.50	2.50	FKM	SIB-1232
OR25002350-64	23.50	2.50	FKM	SIB-1588
OR25002350-08	23.50	2.50	NBR	SIB-503
OR25302350-08	23.50	2.53	NBR	SIB-1915
OR26202350-64	23.50	2.62	FKM	SIB-1210
OR26202350-68	23.50	2.62	FKM	SIB-1051
OR30002350-11	23.50	3.00	NBR	SIB-783
OR30002350-64	23.50	3.00	FKM	SIB-1488
OR31502350-64	23.50	3.15	FKM	SIB-1347
OR35002350-08	23.50	3.50	NBR	SIB-141
OR40002350-08	23.50	4.00	NBR	SIB-118
OR40002350-32	23.50	4.00	EPDM	SIB-3304
OR45002350-07	23.50	4.50	NBR	SIB-2066
OR60002350-64	23.50	6.00	FKM	SIB-2870
OR80002350-06	23.50	8.00	NBR	SIB-2696
OR17802352-D5	23.52	1.78	HNBR	SIB-1213
OR17802352-64	23.52	1.78	FKM	SIB-1272
OR17802352-08	23.52	1.78	NBR	SIB-1009
OR17802352-42	23.52	1.78	VMQ	SIB-2852
OR25002360-08	23.60	2.50	NBR	SIB-672
OR29002360-08	23.60	2.90	NBR	SIB-1773
OR29002360-64	23.60	2.90	FKM	SIB-2837
OR31502360-10	23.60	3.15	NBR	SIB-1492
OR32002360-64	23.60	3.20	FKM	SIB-2089
OR35502360-08	23.60	3.55	NBR	SIB-1767
OR53002360-64	23.60	5.30	FKM	SIB-2949
OR25002370-87	23.70	2.50	PU	POA-296
OR25002370-64	23.70	2.50	FKM	SIB-2619
OR26202371-08	23.70	2.62	NBR	SIB-1684
OR28002370-67	23.70	2.80	FKM	SIB-2694
OR30002370-08	23.70	3.00	NBR	SIB-1573
OR34002370-64	23.70	3.40	FKM	SIB-2582
OR35002370-64	23.70	3.50	FKM	SIB-1245
OR35002370-08	23.70	3.50	NBR	SIB-1872
OR50002370-08	23.70	5.00	NBR	SIB-2278
OR17802380-64	23.80	1.78	FKM	SIB-1926
OR24002380-08	23.80	2.40	NBR	SIB-294
OR26002380-08	23.80	2.60	NBR	SIB-113
OR26002380-64	23.80	2.60	FKM	SIB-3118
OR31002380-64	23.80	3.10	FKM	SIB-1540
OR31002380-08	23.80	3.10	NBR	SIB-1583
OR15802381-08	23.81	1.58	NBR	SIB-839
OR26202381-39	23.81	2.62	VMQ	SIB-3003
OR31702381-08	23.81	3.17	NBR	SIB-1645
OR29502384-64	23.84	2.95	FKM	SIB-1539
OR15802389-08	23.89	1.58	NBR	SIB-1652
OR15002390-64	23.90	1.50	FKM	SIB-1527
OR35802390-08	23.90	3.58	NBR	SIB-2952
OR10002400-08	24.00	1.00	NBR	SIB-715
OR10002400-64	24.00	1.00	FKM	SIB-2868
OR13002400-08	24.00	1.30	NBR	SIB-2289
OR14002400-64	24.00	1.40	FKM	SIB-1230
OR15002400-32	24.00	1.50	EPDM	SIB-191

Part No.	d	c/s	Material	Mould No.
OR15002400-08	24.00	1.50	NBR	SIB-1694
OR15002400-64	24.00	1.50	FKM	SIB-1504
OR16002400-T7	24.00	1.60	FKM	SIB-2372
OR16002400-T3	24.00	1.60	EPDM	SIB-2539
OR17002400-64	24.00	1.70	FKM	SIB-1260
OR17002400-08	24.00	1.70	NBR	SIB-1862
OR17802400-32	24.00	1.78	EPDM	SIB-1998
OR18002400-08	24.00	1.80	NBR	SIB-2172
OR20002400-08	24.00	2.00	NBR	SIB-322
OR20002400-64	24.00	2.00	FKM	SIB-1660
OR21002400-L5	24.00	2.10	PU	POA-459
OR22002400-64	24.00	2.20	FKM	SIB-955
OR22002400-08	24.00	2.20	NBR	SIB-1942
OR22502400-08	24.00	2.25	NBR	SIB-1537
OR23002400-64	24.00	2.30	FKM	SIB-3250
OR24002400-08	24.00	2.40	NBR	SIB-972
OR24002400-64	24.00	2.40	FKM	SIB-1979
OR25002400-20	24.00	2.50	NBR	SIB-814
OR25002400-08	24.00	2.50	NBR	SIB-459
OR25002400-89	24.00	2.50	PU	POA-252
OR25002400-64	24.00	2.50	FKM	SIB-1073
OR25002400-64	24.00	2.50	FKM	SIB-1018
OR25002400-64	24.00	2.50	FKM	SIB-386
OR25002400-32	24.00	2.50	EPDM	SIB-3312
OR28002400-64	24.00	2.80	FKM	SIB-1803
OR26002400-11	24.00	2.60	NBR	SIB-1683
OR27502400-08	24.00	2.75	NBR	SIB-2249
OR28002400-08	24.00	2.80	NBR	SIB-759
OR28002400-43	24.00	2.80	VMQ	SIB-2401
OR30002400-59	24.00	3.00	PU	POA-158
OR30002400-43	24.00	3.00	VMQ	SIB-1869
OR30002400-64	24.00	3.00	FKM	SIB-1319
OR30002400-08	24.00	3.00	NBR	SIB-254
OR30002400-D6	24.00	3.00	HNBR	SIB-2522
OR31002400-08	24.00	3.10	NBR	SIB-104
OR32002400-32	24.00	3.20	EPDM	SIB-1329
OR33002400-32	24.00	3.30	EPDM	SIB-881
OR33002400-64	24.00	3.30	FKM	SIB-2737
OR35002400-08	24.00	3.50	NBR	SIB-303
OR35002400-64	24.00	3.50	FKM	SIB-2179
OR36002400-08	24.00	3.60	NBR	SIB-3167
OR37002400-64	24.00	3.70	FKM	SIB-1185
OR38002400-64	24.00	3.80	FKM	SIB-2904
OR40002400-08	24.00	4.00	NBR	SIB-1388
OR40002400-64	24.00	4.00	FKM	SIB-275
OR40002400-08	24.00	4.00	NBR	SIB-152
OR40002400-08	24.00	4.00	NBR	SIB-565
OR40002400-L5	24.00	4.00	PU	POA-452
OR45002400-08	24.00	4.50	NBR	SIB-705
OR45002400-66	24.00	4.50	FKM	SIB-2030
OR30004040-08	24.00	4.60	NBR	SIB-2090
OR50002400-43	24.00	5.00	VMQ	SIB-1328
OR50002400-08	24.00	5.00	NBR	SIB-600
OR55002400-08	24.00	5.50	NBR	SIB-1851
OR55002400-32	24.00	5.50	EPDM	SIB-3262
OR58002400-08	24.00	5.80	NBR	SIB-2813
OR60002400-43	24.00	6.00	VMQ	SIB-2367
OR60002400-08	24.00	6.00	NBR	SIB-801
OR10002400-H2	24.00	10.00	Natural Rubber	SIB-2657
OR26202407-64	24.07	2.62	FKM	SIB-1584
OR19002410-08	24.10	1.90	NBR	SIB-2324
OR20002420-64	24.20	2.00	FKM	SIB-923
OR30002420-64	24.20	3.00	FKM	SIB-1054
OR30002420-08	24.20	3.00	NBR	SIB-1816
OR41002420-08	24.20	4.10	NBR	SIB-2700
OR13502426-08	24.26	1.35	NBR	SIB-912
OR31502427-64	24.27	3.15	FKM	SIB-1339
OR27002430-08	24.30	2.70	NBR	SIB-1399
OR31702430-10	24.30	3.17	NBR	SIB-913
OR35302430-64	24.30	3.53	FKM	SIB-1448
OR42002430-08	24.30	4.20	NBR	SIB-2408
OR46002430-08	24.30	4.60	NBR	SIB-756
OR18502440-08	24.40	1.85	NBR	SIB-2223

Bold sizes are readily available in stock.
Other material are available on request.

Part No.	d	c/s	Material	Mould No.
OR25002440-08	24.40	2.50	NBR	SIB-920
OR26002440-08	24.40	2.60	NBR	SIB-1006
OR31002440-66	24.40	3.10	FKM	SIB-1174
OR31002440-64	24.40	3.10	FKM	SIB-1672
OR31002440-08	24.40	3.10	NBR	SIB-1984
OR33002440-64	24.40	3.30	FKM	SIB-2156
OR35002440-64	24.40	3.50	FKM	SIB-1629
OR37002440-64	24.40	3.70	FKM	SIB-1182
OR18702443-43	24.43	1.87	VMQ	SIB-1446
OR26102446-D6	24.46	2.61	HNBR	SIB-2523
OR42702446-08	24.46	4.27	NBR	SIB-1395
OR10002450-T2	24.50	1.00	VMQ	SIB-2039
OR12002450-08	24.50	1.20	NBR	SIB-2849
OR15002450-06	24.50	1.50	NBR	SIB-3040
OR15502450-08	24.50	1.55	NBR	SIB-874
OR17802450-10	24.50	1.78	NBR	SIB-969
OR17802450-10	24.50	1.78	NBR	SIB-2635
OR19002450-08	24.50	1.90	NBR	SIB-2905
OR20002450-64	24.50	2.00	FKM	SIB-1345
OR20002450-08	24.50	2.00	NBR	SIB-922
OR25002450-64	24.50	2.50	FKM	SIB-1913
OR25002450-64	24.50	2.50	FKM	SIB-1522
OR26202450-64	24.50	2.62	FKM	SIB-696
OR27002450-11	24.50	2.70	NBR	SIB-3144
OR28002450-64	24.50	2.80	FKM	SIB-1239
OR30002450-64	24.50	3.00	FKM	SIB-1122
OR30002450-08	24.50	3.00	NBR	SIB-1091
OR30002450-08	24.50	3.00	NBR	SIB-833
OR30002450-L3	24.50	3.00	AFLAS	SIB-2891
OR35002450-08	24.50	3.50	NBR	SIB-195
OR40002450-64	24.50	4.00	FKM	SIB-2180
OR40002450-08	24.50	4.00	NBR	SIB-408
OR50002450-08	24.50	5.00	NBR	SIB-2519
OR60002450-64	24.50	6.00	FKM	SIB-2145
OR60002450-08	24.50	6.00	NBR	SIB-2132
OR70002450-08	24.50	7.00	NBR	SIB-1305
OR46002454-64	24.54	4.60	FKM	SIB-1521
OR15002460-08	24.60	1.50	NBR	SIB-1840
OR20002460-43	24.60	2.00	VMQ	SIB-2759
OR24002460-10	24.60	2.40	NBR	SIB-3158
OR26002460-32	24.60	2.60	EPDM	SIB-2495
OR34002460-08	24.60	3.40	NBR	SIB-3082
OR36002460-08	24.60	3.60	NBR	SIB-840
OR36002460-08	24.60	3.60	NBR	SIB-2113
OR36002460-T9	24.60	3.60	FKM	SIB-3331
OR30002466-63	24.66	3.00	FKM	SIB-2167
OR24002467-64	24.67	2.40	FKM	SIB-1663
OR17802470-10	24.70	1.78	NBR	SIB-2656
OR35002470-64	24.70	3.50	FKM	SIB-3201
OR35702470-08	24.70	3.57	NBR	SIB-1827
OR54002470-08	24.70	5.40	NBR	SIB-2308
OR40002475-65	24.75	4.00	FKM	SIB-2501
OR53302477-64	24.77	5.33	FKM	SIB-1714
OR53302477-08	24.77	5.33	NBR	SIB-973
OR19002480-10	24.80	1.90	NBR	SIB-2393
OR20002480-08	24.80	2.00	NBR	SIB-2062
OR20002480-64	24.80	2.00	FKM	SIB-1811
OR26002480-08	24.80	2.60	NBR	SIB-1972
OR35002480-08	24.80	3.50	NBR	SIB-346
OR36002480-10	24.80	3.60	NBR	SIB-1642
OR18002485-64	24.85	1.80	FKM	SIB-1341
OR22002490-08	24.90	2.20	NBR	SIB-2597
OR32002490-V2	24.90	3.20	NBR	SIB-2568
OR33002499-43	24.99	3.30	VMQ	SIB-2392
OR35302499-87	24.99	3.53	PU	POA-311
OR35302499-K3	24.99	3.53	Hytrel	POA-289
OR35302499-N8	24.99	3.53	NBR	SIB-1400
OR35302499-64	24.99	3.53	FKM	SIB-1160
OR35302499-64	24.99	3.53	FKM	SIB-1047
OR35302499-08	24.99	3.53	NBR	SIB-1032
OR35302499-07	24.99	3.53	NBR	SIB-1807
OR35302499-32	24.99	3.53	EPDM	SIB-2823
OR37002400-09	24.99	3.70	NBR	SIB-2723

Part No.	d	c/s	Material	Mould No.
OR10002500-32	25.00	1.00	EPDM	SIB-2293
OR10002500-64	25.00	1.00	FKM	SIB-2282
OR10002500-08	25.00	1.00	NBR	SIB-1577
OR10002500-08	25.00	1.00	NBR	SIB-714
OR11002500-64	25.00	1.10	FKM	SIB-2283
OR12002500-64	25.00	1.20	FKM	SIB-2285
OR12002500-08	25.00	1.20	NBR	SIB-2235
OR13002500-32	25.00	1.30	EPDM	SIB-3122
OR13502500-10	25.00	1.35	NBR	SIB-2104
OR15002500-08	25.00	1.50	NBR	SIB-1175
OR15002500-64	25.00	1.50	FKM	SIB-1502
OR15002500-J3	25.00	1.50	Butyl Rubber	SIB-2668
OR15002500-32	25.00	1.50	EPDM	SIB-3336
OR17502500-08	25.00	1.75	NBR	SIB-439
OR18002500-64	25.00	1.80	FKM	SIB-1501
OR20002500-64	25.00	2.00	FKM	SIB-1121
OR20002500-08	25.00	2.00	NBR	SIB-1944
OR20002500-08	25.00	2.00	NBR	SIB-383
OR20002500-08	25.00	2.00	NBR	SIB-270
OR23002500-10	25.00	2.30	NBR	SIB-2959
OR23002500-D6	25.00	2.30	HNBR	SIB-3171
OR25002500-L5	25.00	2.50	PU	POA-176
OR25002500-11	25.00	2.50	NBR	SIB-1147
OR25002500-64	25.00	2.50	FKM	SIB-1130
OR25002500-08	25.00	2.50	NBR	SIB-1008
OR25002500-64	25.00	2.50	FKM	SIB-1001
OR25002500-08	25.00	2.50	NBR	SIB-178
OR26502500-08	25.00	2.65	NBR	SIB-1761
OR27002500-66	25.00	2.70	FKM	SIB-2164
OR27502500-08	25.00	2.75	NBR	SIB-1802
OR28002500-08	25.00	2.80	NBR	SIB-2204
OR30002500-64	25.00	3.00	FKM	SIB-684
OR30002500-05	25.00	3.00	NBR	SIB-1702
OR30002500-08	25.00	3.00	NBR	SIB-784
OR30002500-08	25.00	3.00	NBR	SIB-154
OR30002500-59	25.00	3.00	PU	POA-454
OR30002500-R1	25.00	3.00	FVMQ	SIB-3057
OR32002500-08	25.00	3.20	NBR	SIB-977
OR35002500-08	25.00	3.50	NBR	SIB-454
OR35002500-L5	25.00	3.50	PU	POA-404
OR35002500-32	25.00	3.50	EPDM	SIB-2334
OR35002500-08	25.00	3.50	NBR	SIB-516
OR35002500-64	25.00	3.50	FKM	SIB-2476
OR35002500-64	25.00	3.50	FKM	SIB-2402
OR35002500-43	25.00	3.50	VMQ	SIB-3231
OR35302500-10	25.00	3.53	NBR	SIB-2414
OR35502500-08	25.00	3.55	NBR	SIB-232
OR37002500-08	25.00	3.70	NBR	SIB-1514
OR40002500-08	25.00	4.00	NBR	SIB-716
OR40002500-01	25.00	4.00	NBR	SIB-486
OR40002500-22	25.00	4.00	CR	SIB-1726
OR40002500-L3	25.00	4.00	AFLAS	SIB-2479
OR40002500-65	25.00	4.00	FKM	SIB-2603
OR40002500-64	25.00	4.00	FKM	SIB-3069
OR45002500-08	25.00	4.50	NBR	SIB-1019
OR45002500-64	25.00	4.50	FKM	SIB-3168
OR50002500-31	25.00	5.00	EPDM	SIB-1928
OR50002500-64	25.00	5.00	FKM	SIB-653
OR50002500-08	25.00	5.00	NBR	SIB-290
OR50002500-T5	25.00	5.00	EPDM	SIB-2443
OR50002500-18	25.00	5.00	CR	SIB-2865
OR55002500-08	25.00	5.50	NBR	SIB-463
OR55002500-64	25.00	5.50	FKM	SIB-2578
OR57002500-08	25.00	5.70	NBR	SIB-2488
OR60002500-08	25.00	6.00	NBR	SIB-1859
OR60002500-64	25.00	6.00	FKM	SIB-326
OR65002500-64	25.00	6.50	FKM	SIB-2445
OR70002500-32	25.00	7.00	EPDM	SIB-3290
OR80002500-08	25.00	8.00	NBR	SIB-2112
OR85002500-64	25.00	8.50	FKM	SIB-2939
OR11002500-08	25.00	11.00	NBR	SIB-2481
OR29502504-10	25.04	2.95	NBR	SIB-1506
OR26202507-08	25.07	2.62	NBR	SIB-674

Bold sizes are readily available in stock.
 Other material are available on request.

Part No.	d	c/s	Material	Mould No.
OR26202507-64	25.07	2.62	FKM	SIB-1025
OR26202507-06	25.07	2.62	NBR	SIB-1113
OR26202507-R1	25.07	2.62	FVMQ	SIB-1738
OR26202507-O4	25.07	2.62	FKM	SIB-2480
OR26202507-D5	25.07	2.62	HNBR	SIB-3155
OR15502510-43	25.10	1.55	VMQ	SIB-1701
OR16002510-08	25.10	1.60	NBR	SIB-559
OR17002510-43	25.10	1.70	VMQ	SIB-2342
OR17802512-64	25.12	1.78	FKM	SIB-1044
OR17802512-D5	25.12	1.78	HNBR	SIB-1795
OR17802512-08	25.12	1.78	NBR	SIB-746
OR18502515-64	25.15	1.85	FKM	SIB-1346
OR35302519-64	25.19	3.53	FKM	SIB-1695
OR15002520-08	25.20	1.50	NBR	SIB-2139
OR17802520-R3	25.20	1.78	PU	POA-371
OR30002520-08	25.20	3.00	NBR	SIB-1136
OR30502520-T2	25.20	3.05	VMQ	SIB-1895
OR34002520-08	25.20	3.40	NBR	SIB-2064
OR35602523-08	25.23	3.56	NBR	SIB-1197
OR24002530-08	25.30	2.40	NBR	SIB-1326
OR24002530-64	25.30	2.40	FKM	SIB-1436
OR24002530-66	25.30	2.40	FKM	SIB-404
OR25002530-11	25.30	2.50	NBR	SIB-2416
OR27002530-08	25.30	2.70	NBR	SIB-2965
OR35002530-08	25.30	3.50	NBR	SIB-1818
OR46002530-64	25.30	4.60	FKM	SIB-882
OR26202532-L5	25.32	2.62	PU	POA-268
OR53002532-08	25.32	5.30	NBR	SIB-2306
OR15002540-08	25.40	1.50	NBR	SIB-1845
OR15902540-64	25.40	1.59	FKM	SIB-1099
OR16002540-08	25.40	1.60	NBR	SIB-362
OR17802540-08	25.40	1.78	NBR	SIB-870
OR18002540-10	25.40	1.80	NBR	SIB-2714
OR23002540-66	25.40	2.30	FKM	SIB-1090
OR24002540-64	25.40	2.40	FKM	SIB-1659
OR25002540-64	25.40	2.50	FKM	SIB-1600
OR27502540-66	25.40	2.75	FKM	SIB-1416
OR31702540-08	25.40	3.17	NBR	SIB-267
OR12002738-64	25.40	1.20	FKM	SIB-1935
OR32002540-08	25.40	3.20	NBR	SIB-668
OR33002540-64	25.40	3.30	FKM	SIB-225
OR34002540-08	25.40	3.40	NBR	SIB-1103
OR35002540-08	25.40	3.50	NBR	SIB-239
OR35002540-43	25.40	3.50	VMQ	SIB-2004
OR35302540-L5	25.40	3.53	PU	POA-380
OR35502540-08	25.40	3.55	NBR	SIB-2807
OR38002540-64	25.40	3.80	FKM	SIB-1208
OR47602540-08	25.40	4.76	NBR	SIB-707
OR63502540-64	25.40	6.35	FKM	SIB-2270
OR36502540-11	25.40	6.35	NBR	SIB-2015
OR80002540-64	25.40	8.00	FKM	SIB-3298
OR17802543-64	25.43	1.78	FKM	SIB-2920
OR25002546-64	25.46	2.50	FKM	SIB-3321
OR10002550-08	25.50	1.00	NBR	SIB-1442
OR10002550-65	25.50	1.00	NBR	SIB-2801
OR16002550-43	25.50	1.60	VMQ	SIB-3224
OR16502550-43	25.50	1.65	VMQ	SIB-3229
OR20002550-63	25.50	2.00	FKM	SIB-2166
OR20002550-08	25.50	2.00	NBR	SIB-641
OR20002550-62	25.50	2.00	FKM	SIB-2985
OR20002550-64	25.50	2.00	FKM	SIB-3090
OR25002550-64	25.50	2.50	FKM	SIB-1960
OR25002550-L5	25.50	2.50	PU	POA-433
OR26202550-67	25.50	2.62	FKM	SIB-2632
OR27502550-08	25.50	2.75	NBR	SIB-727
OR28002550-08	25.50	2.80	NBR	SIB-2086
OR30002550-64	25.50	3.00	FKM	SIB-877
OR30002550-D5	25.50	3.00	HNBR	SIB-1490
OR30002550-08	25.50	3.00	NBR	SIB-244
OR95202550-08	25.50	9.52	NBR	SIB-1655
OR32002550-67	25.50	3.20	FKM	SIB-2783
OR35002550-64	25.50	3.50	FKM	SIB-1925
OR31002556-43	25.56	3.10	VMQ	SIB-2648

Part No.	d	c/s	Material	Mould No.
OR26202560-08	25.60	2.62	NBR	SIB-2450
OR30002560-08	25.60	3.00	NBR	SIB-1858
OR32002560-64	25.60	3.20	FKM	SIB-3026
OR45302564-08	25.64	4.53	NBR	SIB-2775
OR33202566-64	25.66	3.32	FKM	SIB-1563
OR30002570-43	25.70	3.00	VMQ	SIB-1495
OR35002570-08	25.70	3.50	NBR	SIB-124
OR35002570-08	25.70	3.50	NBR	SIB-2020
OR40002570-08	25.70	4.00	NBR	SIB-314
OR26502580-64	25.80	2.65	FKM	SIB-2818
OR31002580-64	25.80	3.10	FKM	SIB-1541
OR35302580-08	25.80	3.53	NBR	SIB-985
OR35302580-64	25.80	3.53	FKM	SIB-2508
OR35502590-64	25.90	3.55	FKM	SIB-1336
OR10002600-08	26.00	1.00	NBR	SIB-441
OR12002600-08	26.00	1.20	NBR	SIB-2651
OR13002600-08	26.00	1.30	NBR	SIB-2256
OR15002600-08	26.00	1.50	NBR	SIB-639
OR15002600-T9	26.00	1.50	FKM	SIB-1698
OR15002600-64	26.00	1.50	FKM	SIB-3089
OR17502600-08	26.00	1.75	NBR	SIB-859
OR17802600-08	26.00	1.78	NBR	SIB-1853
OR18002600-08	26.00	1.80	NBR	SIB-1646
OR18002600-64	26.00	1.80	FKM	SIB-2992
OR20002600-64	26.00	2.00	FKM	SIB-1212
OR20002600-08	26.00	2.00	NBR	SIB-848
OR20002600-32	26.00	2.00	EPDM	SIB-816
OR20002600-08	26.00	2.00	NBR	SIB-515
OR22002600-08	26.00	2.20	NBR	SIB-951
OR24002600-08	26.00	2.40	NBR	SIB-1585
OR24002600-67	26.00	2.40	FKM	SIB-3095
OR25002600-08	26.00	2.50	NBR	SIB-1105
OR25002600-08	26.00	2.50	NBR	SIB-202
OR25002600-64	26.00	2.50	FKM	SIB-2864
OR26002600-08	26.00	2.60	NBR	SIB-632
OR26002600-64	26.00	2.60	FKM	SIB-2203
OR27002600-08	26.00	2.70	NBR	SIB-1909
OR27002600-64	26.00	2.70	FKM	SIB-2757
OR28502600-08	26.00	2.85	NBR	SIB-2018
OR30002600-64	26.00	3.00	FKM	SIB-2122
OR30002600-08	26.00	3.00	NBR	SIB-460
OR30002600-08	26.00	3.00	NBR	SIB-177
OR30002600-43	26.00	3.00	VMQ	SIB-2943
OR30002600-32	26.00	3.00	EPDM	SIB-3022
OR31502600-11	26.00	3.15	NBR	SIB-2441
OR32002600-64	26.00	3.20	FKM	SIB-3016
OR32502600-08	26.00	3.25	NBR	SIB-2078
OR33002600-08	26.00	3.30	NBR	SIB-3110
OR35002600-08	26.00	3.50	NBR	SIB-764
OR35002600-64	26.00	3.50	FKM	SIB-987
OR35002600-32	26.00	3.50	EPDM	SIB-2336
OR35002600-08	26.00	3.50	NBR	SIB-511
OR40002600-10	26.00	4.00	NBR	SIB-571
OR40002600-64	26.00	4.00	FKM	SIB-1971
OR45002600-08	26.00	4.50	NBR	SIB-2174
OR45002600-64	26.00	4.50	FKM	SIB-1856
OR50002600-08	26.00	5.00	NBR	SIB-482
OR55002600-08	26.00	5.50	NBR	SIB-2361
OR60002600-T9	26.00	6.00	FKM	SIB-2298
OR60002600-08	26.00	6.00	NBR	SIB-1878
OR70002600-64	26.00	7.00	FKM	SIB-2421
OR75002600-37	26.00	7.50	VMQ	SIB-941
OR80002600-08	26.00	8.00	NBR	SIB-2609
OR90002600-08	26.00	9.00	NBR	SIB-1814
OR12102617-43	26.17	1.21	VMQ	SIB-2451
OR30002620-08	26.20	3.00	NBR	SIB-1919
OR30002620-08	26.20	3.00	NBR	SIB-126
OR30002620-64	26.20	3.00	FKM	SIB-2513
OR33002620-10	26.20	3.30	NBR	SIB-3335
OR36002620-64	26.20	3.60	FKM	SIB-1311
OR36002620-10	26.20	3.60	NBR	SIB-2936
OR45002626-64	26.26	4.50	FKM	SIB-1562
OR26902629-08	26.29	2.69	NBR	SIB-2535

Bold sizes are readily available in stock.
Other material are available on request.

Part No.	d	c/s	Material	Mould No.
OR12002630-08	26.30	1.20	NBR	SIB-1746
OR20002630-08	26.30	2.00	NBR	SIB-2371
OR25002630-66	26.30	2.50	FKM	SIB-1441
OR25002636-10	26.30	2.50	NBR	SIB-2196
OR46002630-08	26.30	4.60	NBR	SIB-963
OR22602631-08	26.31	2.26	HNBR	SIB-2002
OR53302634-64	26.34	5.33	FKM	SIB-2184
OR53302634-08	26.34	5.33	NBR	SIB-642
OR53302634-L5	26.34	5.33	PU	POA-514
OR59902634-87	26.34	5.99	PU	POA-521
OR18002640-08	26.40	1.80	NBR	SIB-1777
OR32002640-08	26.40	3.20	NBR	SIB-3050
OR33002640-64	26.40	3.30	FKM	SIB-2162
OR35002640-08	26.40	3.50	NBR	SIB-403
OR37002640-08	26.40	3.70	NBR	SIB-1796
OR40002640-08	26.40	4.00	NBR	SIB-2428
OR70002640-08	26.40	7.00	NBR	SIB-2528
OR20002650-64	26.50	2.00	FKM	SIB-2246
OR20002650-08	26.50	2.00	NBR	SIB-651
OR25002650-11	26.50	2.50	NBR	SIB-2552
OR25002650-64	26.50	2.50	FKM	SIB-2901
OR27502650-64	26.50	2.75	FKM	SIB-1397
OR27502650-08	26.50	2.75	NBR	SIB-568
OR30002650-08	26.50	3.00	NBR	SIB-701
OR35502650-08	26.50	3.55	NBR	SIB-1762
OR36002650-T9	26.50	3.60	FKM	SIB-3067
OR37002650-T5	26.50	3.70	EPDM	SIB-2953
OR40002650-43	26.50	4.00	VMQ	SIB-1377
OR50002650-64	26.50	5.00	FKM	SIB-2575
OR52402650-R3	26.50	5.24	PU	POA-368
OR65002650-08	26.50	6.50	NBR	SIB-1151
OR80002650-08	26.50	8.00	NBR	SIB-934
OR17802656-08	26.56	1.78	NBR	SIB-2510
OR35302657-32	26.57	3.53	EPDM	SIB-1087
OR35302657-08	26.57	3.53	NBR	SIB-1236
OR35302657-N4	26.57	3.53	NBR	SIB-1066
OR35302657-64	26.57	3.53	FKM	SIB-1014
OR35302657-67	26.57	3.53	FKM	SIB-2584
OR45302657-64	26.57	4.53	FKM	SIB-3100
OR29502659-10	26.59	2.95	NBR	SIB-1507
OR36502659-08	26.59	3.65	NBR	SIB-2721
OR10002660-08	26.60	1.00	NBR	SIB-2999
OR12002660-64	26.60	1.20	FKM	SIB-1547
OR15002660-64	26.60	1.50	FKM	SIB-2729
OR24002660-08	26.60	2.40	NBR	SIB-890
OR29002660-08	26.60	2.90	NBR	SIB-1774
OR30002660-43	26.60	3.00	VMQ	SIB-2587
OR42002600-08	26.60	4.20	NBR	SIB-2977
OR26202664-N8	26.64	2.62	NBR	SIB-1405
OR26202664-11	26.64	2.62	NBR	SIB-546
OR26202664-08	26.64	2.62	NBR	SIB-424
OR26202664-64	26.64	2.62	FKM	SIB-1595
OR26202664-T5	26.64	2.62	EPDM	SIB-3084
OR17802670-08	26.70	1.78	NBR	SIB-646
OR17802670-64	26.70	1.78	FKM	SIB-1309
OR17802670-32	26.70	1.78	EPDM	SIB-1256
OR17802670-08	26.70	1.78	NBR	SIB-1975
OR17802670-T5	26.70	1.78	EPDM	SIB-2464
OR17802670-43	26.70	1.78	VMQ	SIB-2998
OR25002670-L5	26.70	2.50	PU	POA-343
OR30002670-10	26.70	3.00	NBR	SIB-2878
OR34002670-11	26.70	3.40	NBR	SIB-2841
OR34502670-L5	26.70	3.45	PU	POA-337
OR35002670-32	26.70	3.50	EPDM	SIB-2332
OR35002670-43	26.70	3.50	VMQ	SIB-2822
OR45302670-64	26.70	4.53	FKM	SIB-3193
OR18002680-08	26.80	1.80	NBR	SIB-2128
OR20002680-08	26.80	2.00	NBR	SIB-2061
OR20502680-08	26.80	2.05	NBR	SIB-2410
OR26002680-L5	26.80	2.60	PU	POA-340
OR30002680-64	26.80	3.00	FKM	SIB-2718
OR30002680-10	26.80	3.00	NBR	SIB-3098
OR25002690-08	26.90	2.50	NBR	SIB-305

Part No.	d	c/s	Material	Mould No.
OR23602691-67	26.91	2.36	FKM	SIB-2644
OR26002697-64	26.97	2.60	FKM	SIB-1558
OR23802698-08	26.98	2.38	NBR	SIB-787
OR31702698-08	26.98	3.17	NBR	SIB-402
OR31702698-64	26.98	3.17	FKM	SIB-2398
OR10002700-08	27.00	1.00	NBR	SIB-2055
OR15002700-08	27.00	1.50	NBR	SIB-1602
OR15002700-64	27.00	1.50	FKM	SIB-1801
OR15002700-32	27.00	1.50	EPDM	SIB-3039
OR16002700-08	27.00	1.60	NBR	SIB-1176
OR16502700-66	27.00	1.65	FKM	SIB-2754
OR17002700-66	27.00	1.70	FKM	SIB-2753
OR17502700-08	27.00	1.75	NBR	SIB-1464
OR17802700-08	27.00	1.78	NBR	SIB-2884
OR18002700-67	27.00	1.80	FKM	SIB-861
OR18002700-11	27.00	1.80	NBR	SIB-875
OR18002700-64	27.00	1.80	FKM	SIB-2921
OR20002700-43	27.00	2.00	NBR	SIB-2267
OR20002700-08	27.00	2.00	NBR	SIB-140
OR20002700-64	27.00	2.00	FKM	SIB-2037
OR20002700-08	27.00	2.00	NBR	SIB-2041
OR20002700-BA	27.00	2.00	FKM	SIB-3248
OR22002700-08	27.00	2.20	NBR	SIB-1536
OR24002700-67	27.00	2.40	FKM	SIB-1045
OR24002700-08	27.00	2.40	NBR	SIB-1821
OR25002700-08	27.00	2.50	NBR	SIB-630
OR25002700-08	27.00	2.50	NBR	SIB-331
OR25002700-11	27.00	2.50	NBR	SIB-353
OR25002700-23	27.00	2.50	CR	SIB-1780
OR25002700-64	27.00	2.50	FKM	SIB-986
OR25002700-R1	27.00	2.50	FVMQ	SIB-2962
OR26002700-43	27.00	2.60	VMQ	SIB-2328
OR26202700-08	27.00	2.62	NBR	SIB-1938
OR27002700-08	27.00	2.70	NBR	SIB-540
OR27002700-67	27.00	2.70	FKM	SIB-1496
OR28002700-08	27.00	2.80	NBR	SIB-2137
OR30002700-08	27.00	3.00	NBR	SIB-241
OR30002700-64	27.00	3.00	FKM	SIB-501
OR30002700-08	27.00	3.00	NBR	SIB-1847
OR31002700-67	27.00	3.10	FKM	SIB-3096
OR32002700-08	27.00	3.20	NBR	SIB-2240
OR33002700-32	27.00	3.30	EPDM	SIB-2170
OR35002700-66	27.00	3.50	FKM	SIB-1368
OR35002700-08	27.00	3.50	NBR	SIB-526
OR35002700-08	27.00	3.50	NBR	SIB-268
OR35002700-L5	27.00	3.50	PU	POA-398
OR35002700-66	27.00	3.50	FKM	SIB-1084
OR35002700-66	27.00	3.50	FKM	SIB-2114
OR35002700-64	27.00	3.50	FKM	SIB-3094
OR35302700-10	27.00	3.53	NBR	SIB-1081
OR36002700-64	27.00	3.60	FKM	SIB-2711
OR36002700-08	27.00	3.60	NBR	SIB-2951
OR38002700-64	27.00	3.80	FKM	SIB-1206
OR40002700-08	27.00	4.00	NBR	SIB-542
OR40002700-64	27.00	4.00	FKM	SIB-3083
OR42002700-64	27.00	4.20	FKM	SIB-2391
OR42002700-10	27.00	4.20	NBR	SIB-2670
OR45002700-08	27.00	4.50	NBR	SIB-2312
OR50002700-08	27.00	5.00	NBR	SIB-545
OR50002700-64	27.00	5.00	FKM	SIB-2742
OR60002700-64	27.00	6.00	FKM	SIB-2368
OR80002700-08	27.00	8.00	NBR	SIB-2643
OR15302705-C1	27.05	1.53	XNBR	SIB-2897
OR40502709-64	27.09	4.05	FKM	SIB-1561
OR20002720-64	27.20	2.00	FKM	SIB-2621
OR33002720-10	27.20	3.30	NBR	SIB-3210
OR42002720-64	27.20	4.20	FKM	SIB-2620
OR57002720-11	27.20	5.70	NBR	SIB-2748
OR20002730-64	27.30	2.00	FKM	SIB-1076
OR24002730-64	27.30	2.40	FKM	SIB-1200
OR46002730-08	27.30	4.60	NBR	SIB-1304
OR16002740-08	27.40	1.60	NBR	SIB-1058
OR16002740-41	27.40	1.60	VMQ	SIB-2435

Bold sizes are readily available in stock.
 Other material are available on request.

Part No.	d	c/s	Material	Mould No.
OR17502740-08	27.40	1.75	NBR	SIB-2142
OR25002740-08	27.40	2.50	NBR	SIB-613
OR28002740-08	27.40	2.80	NBR	SIB-1604
OR30002740-10	27.40	3.00	NBR	SIB-2715
OR35302740-08	27.40	3.53	NBR	SIB-1070
OR37002740-43	27.40	3.70	VMQ	SIB-1927
OR12702743-08	27.43	1.27	NBR	SIB-2679
OR18902748-08	27.48	1.89	NBR	SIB-2768
OR10002750-64	27.50	1.00	FKM	SIB-2606
OR15002750-08	27.50	1.50	NBR	SIB-2346
OR17502750-64	27.50	1.75	FKM	SIB-2607
OR17802750-T2	27.50	1.78	VMQ	SIB-2458
OR20002750-08	27.50	2.00	NBR	SIB-2580
OR20002750-64	27.50	2.00	FKM	SIB-2708
OR22502750-08	27.50	2.25	NBR	SIB-943
OR24002750-08	27.50	2.40	NBR	SIB-1864
OR25002750-64	27.50	2.50	FKM	SIB-1959
OR26202750-67	27.50	2.62	FKM	SIB-2628
OR30002750-08	27.50	3.00	NBR	SIB-1916
OR30002750-08	27.50	3.00	NBR	SIB-617
OR32002750-32	27.50	3.20	EPDM	SIB-2561
OR32002750-64	27.50	3.20	FKM	SIB-3106
OR32502750-64	27.50	3.25	FKM	SIB-3116
OR35002750-11	27.50	3.50	NBR	SIB-908
OR35302750-R1	27.50	3.53	FVMQ	SIB-1740
OR35302750-67	27.50	3.53	FKM	SIB-1722
OR37002750-08	27.50	3.70	NBR	SIB-1689
OR40002750-64	27.50	4.00	FKM	SIB-3128
OR50002750-08	27.50	5.00	NBR	SIB-343
OR24002760-O3	27.60	2.40	NBR	SIB-910
OR36002760-T9	27.60	3.60	FKM	SIB-3329
OR60002760-32	27.60	6.00	EPDM	SIB-3055
OR23802762-08	27.62	2.38	NBR	SIB-108
OR33502763-64	27.63	3.35	FKM	SIB-1454
OR27002770-08	27.70	2.70	NBR	SIB-2407
OR30002770-67	27.70	3.00	FKM	SIB-2779
OR35002770-64	27.70	3.50	FKM	SIB-1243
OR35002770-08	27.70	3.50	NBR	SIB-412
OR35002770-32	27.70	3.50	EPDM	SIB-2989
OR26002760-T5	27.80	2.60	EPDM	SIB-3169
OR35002780-64	27.80	3.50	FKM	SIB-2616
OR35302780-43	27.80	3.53	VMQ	SIB-2369
OR36002780-10	27.80	3.60	NBR	SIB-2914
OR36502785-64	27.85	3.65	FKM	SIB-1560
OR26202786-08	27.86	2.62	NBR	SIB-878
OR18002790-64	27.90	1.80	FKM	SIB-1664
OR22602790-64	27.90	2.26	FKM	SIB-2581
OR22702790-08	27.90	2.27	NBR	SIB-2773
OR53302794-64	27.94	5.33	FKM	SIB-2186
OR53302794-08	27.94	5.33	NBR	SIB-807
OR10002800-08	28.00	1.00	NBR	SIB-736
OR15002800-08	28.00	1.50	NBR	SIB-369
OR15002800-64	28.00	1.50	FKM	SIB-2244
OR15002800-BZ	28.00	1.50	VMQ	SIB-3242
OR16002800-64	28.00	1.60	FKM	SIB-1578
OR17002800-08	28.00	1.70	NBR	SIB-1189
OR17502800-08	28.00	1.75	NBR	SIB-1362
OR17802800-08	28.00	1.78	NBR	SIB-872
OR18002800-67	28.00	1.80	FKM	SIB-1451
OR18002800-32	28.00	1.80	EPDM	SIB-2641
OR20002800-34	28.00	2.00	EPDM	SIB-2264
OR20002800-L5	28.00	2.00	PU	POA-179
OR20002800-64	28.00	2.00	FKM	SIB-1403
OR20002800-10	28.00	2.00	NBR	SIB-242
OR20002800-66	28.00	2.00	FKM	SIB-405
OR20002800-V3	28.00	2.00	NBR	SIB-2456
OR22002800-08	28.00	2.20	NBR	SIB-3293
OR23002800-08	28.00	2.30	NBR	SIB-1420
OR25002800-08	28.00	2.50	NBR	SIB-609
OR25002800-64	28.00	2.50	FKM	SIB-1728
OR25002800-10	28.00	2.50	NBR	SIB-1779
OR25002800-66	28.00	2.50	FKM	SIB-1669
OR25002800-L5	28.00	2.50	PU	POA-436

Part No.	d	c/s	Material	Mould No.
OR27502800-08	28.00	2.75	NBR	SIB-1820
OR26502800-08	28.00	2.65	NBR	SIB-1409
OR26502800-64	28.00	2.65	FKM	SIB-2471
OR27002800-64	28.00	2.70	FKM	SIB-2853
OR27502800-64	28.00	2.75	FKM	SIB-1349
OR28002800-08	28.00	2.80	NBR	SIB-1155
OR30002800-08	28.00	3.00	NBR	SIB-298
OR30002800-64	28.00	3.00	FKM	SIB-812
OR31002800-08	28.00	3.10	NBR	SIB-1391
OR31502800-67	28.00	3.15	FKM	SIB-1730
OR33002800-08	28.00	3.30	NBR	SIB-1843
OR35002800-08	28.00	3.50	NBR	SIB-200
OR35002800-64	28.00	3.50	FKM	SIB-288
OR35002800-43	28.00	3.50	VMQ	SIB-1674
OR35002800-08	28.00	3.50	NBR	SIB-219
OR35002800-08	28.00	3.50	NBR	SIB-1855
OR35002800-L5	28.00	3.50	PU	POA-399
OR35002800-32	28.00	3.50	EPDM	SIB-2333
OR35502800-08	28.00	3.55	NBR	SIB-2102
OR36002800-64	28.00	3.60	FKM	SIB-1473
OR40002800-08	28.00	4.00	NBR	SIB-149
OR40002800-L5	28.00	4.00	PU	POA-383
OR40002800-08	28.00	4.00	NBR	SIB-197
OR40002800-64	28.00	4.00	FKM	SIB-3265
OR40002800-T2	28.00	4.00	VMQ	SIB-3173
OR40002800-D5	28.00	4.00	HNBR	SIB-3218
OR42002800-66	28.00	4.20	FKM	SIB-2574
OR43002800-66	28.00	4.30	FKM	SIB-2573
OR45002800-08	28.00	4.50	NBR	SIB-1906
OR45002800-64	28.00	4.50	FKM	SIB-2937
OR46002800-08	28.00	4.60	NBR	SIB-2810
OR50002800-08	28.00	5.00	NBR	SIB-555
OR50002800-64	28.00	5.00	FKM	SIB-2604
OR55002800-08	28.00	5.50	NBR	SIB-2214
OR56002800-08	28.00	5.60	NBR	SIB-1218
OR60002800-08	28.00	6.00	NBR	SIB-2358
OR60002800-28	28.00	6.00	EPDM	SIB-3141
OR60002800-43	28.00	6.00	VMQ	SIB-3113
OR60002800-67	28.00	6.00	FKM	SIB-3146
OR80002800-39	28.00	8.00	VMQ	SIB-2673
OR10002800-32	28.00	10.00	EPDM	SIB-2646
OR35602803-64	28.03	3.56	FKM	SIB-1559
OR35302817-64	28.17	3.53	FKM	SIB-1161
OR35302817-64	28.17	3.53	FKM	SIB-1191
OR35302817-08	28.17	3.53	NBR	SIB-1033
OR35302817-N8	28.17	3.53	NBR	SIB-1404
OR35302817-T4	28.17	3.53	EPDM	SIB-2005
OR35302817-32	28.17	3.53	EPDM	SIB-3220
OR19002820-32	28.20	1.90	EPDM	SIB-2821
OR21602820-T7	28.20	2.16	FKM	SIB-2447
OR30002820-08	28.20	3.00	NBR	SIB-1137
OR36002820-08	28.20	3.60	NBR	SIB-451
OR26202824-43	28.24	2.62	VMQ	SIB-1226
OR26202824-64	28.24	2.62	FKM	SIB-1011
OR26202824-D6	28.24	2.62	HNBR	SIB-1386
OR26202824-08	28.24	2.62	NBR	SIB-525
OR17802829-L5	28.29	1.78	PU	POA-414
OR17802830-O3	28.30	1.78	NBR	SIB-1382
OR17802830-64	28.30	1.78	FKM	SIB-1343
OR17802830-08	28.30	1.78	NBR	SIB-1065
OR30002830-64	28.30	3.00	FKM	SIB-2692
OR31002830-08	28.30	3.10	NBR	SIB-2828
OR34002830-64	28.30	3.40	FKM	SIB-435
OR34502830-L5	28.30	3.45	PU	POA-338
OR36002830-64	28.30	3.60	FKM	SIB-2152
OR53302834-64	28.34	5.33	FKM	SIB-2199
OR30002835-64	28.35	3.00	FKM	SIB-1353
OR69802837-64	28.37	6.98	FKM	SIB-2763
OR18002840-08	28.40	1.80	NBR	SIB-2733
OR25002840-08	28.40	2.50	NBR	SIB-1234
OR25002840-L5	28.40	2.50	PU	POA-336
OR28002840-08	28.40	2.80	NBR	SIB-745
OR31002840-64	28.40	3.10	FKM	SIB-2982

Bold sizes are readily available in stock.
Other material are available on request.

Part No.	d	c/s	Material	Mould No.
OR33002840-64	28.40	3.30	FKM	SIB-2154
OR35302840-11	28.40	3.53	NBR	SIB-911
OR46402845-64	28.45	4.64	FKM	SIB-2514
OR10002850-64	28.50	1.00	FKM	SIB-3088
OR15002850-64	28.50	1.50	FKM	SIB-1874
OR15002850-41	28.50	1.50	VMQ	SIB-2658
OR16002850-64	28.50	1.60	FKM	SIB-1956
OR20002850-64	28.50	2.00	FKM	SIB-1981
OR20002850-10	28.50	2.00	NBR	SIB-3030
OR22002850-08	28.50	2.20	NBR	SIB-2243
OR24002850-08	28.50	2.40	NBR	SIB-624
OR24002850-67	28.50	2.40	FKM	SIB-2051
OR25002850-64	28.50	2.50	FKM	SIB-1957
OR30002850-08	28.50	3.00	NBR	SIB-687
OR30002850-64	28.50	3.00	FKM	SIB-3023
OR32502850-08	28.50	3.25	NBR	SIB-1903
OR35002850-08	28.50	3.50	NBR	SIB-1606
OR40002850-32	28.50	4.00	EPDM	SIB-3305
OR46002850-08	28.50	4.60	NBR	SIB-2811
OR38002850-08	28.50	3.80	NBR	SIB-512
OR57002850-08	28.50	5.70	NBR	SIB-597
OR70002850-08	28.50	7.00	NBR	SIB-2350
OR20002855-08	28.55	2.00	NBR	SIB-2958
OR15902857-08	28.57	1.59	NBR	SIB-371
OR31702857-08	28.57	3.17	NBR	SIB-498
OR31802857-08	28.57	3.18	NBR	SIB-2664
OR31702858-64	28.58	3.17	FKM	SIB-3121
OR25002860-64	28.60	2.50	FKM	SIB-1525
OR30002860-08	28.60	3.00	NBR	SIB-2093
OR34002860-08	28.60	3.40	NBR	SIB-1285
OR40002860-64	28.60	4.00	FKM	SIB-2012
OR15102864-64	28.64	1.51	FKM	SIB-2800
OR26202865-35	28.65	2.62	EPDM	SIB-2861
OR15002866-D5	28.66	1.50	HNBR	SIB-2761
OR35002870-64	28.70	3.50	FKM	SIB-1246
OR35002870-08	28.70	3.50	NBR	SIB-1871
OR30202873-64	28.73	3.02	FKM	SIB-1837
OR30202873-64	28.73	3.02	FKM	SIB-2676
OR30002875-64	28.75	3.00	FKM	SIB-1545
OR20002880-08	28.80	2.00	NBR	SIB-1486
OR26202880-64	28.80	2.62	FKM	SIB-130
OR31002880-64	28.80	3.10	FKM	SIB-1042
OR36002880-08	28.80	3.60	NBR	SIB-263
OR23602885-08	28.85	2.36	NBR	SIB-2288
OR37802887-09	28.87	3.78	NBR	SIB-2229
OR13002890-43	28.90	1.30	VMQ	SIB-3246
OR27002890-66	28.90	2.70	FKM	SIB-2832
OR33002890-10	28.90	3.30	NBR	SIB-958
OR10002900-08	29.00	1.00	NBR	SIB-1617
OR10002900-63	29.00	1.00	FKM	SIB-3261
OR12502900-08	29.00	1.25	NBR	SIB-2376
OR13002900-64	29.00	1.30	FKM	SIB-2971
OR13002900-08	29.00	1.30	NBR	SIB-3033
OR15002900-08	29.00	1.50	NBR	SIB-732
OR15002900-64	29.00	1.50	FKM	SIB-3066
OR16502900-66	29.00	1.65	FKM	SIB-2752
OR17002900-66	29.00	1.70	FKM	SIB-2751
OR17802900-08	29.00	1.78	NBR	SIB-2343
OR20002900-64	29.00	2.00	FKM	SIB-1209
OR20002900-08	29.00	2.00	NBR	SIB-307
OR20002900-06	29.00	2.00	NBR	SIB-1691
OR20002900-J3	29.00	2.00	NBR	SIB-2431
OR22002900-T7	29.00	2.20	FKM	SIB-2375
OR24002900-08	29.00	2.40	NBR	SIB-2069
OR25002900-32	29.00	2.50	EPDM	SIB-342
OR25002900-08	29.00	2.50	NBR	SIB-340
OR25002900-64	29.00	2.50	FKM	SIB-2034
OR25002900-43	29.00	2.50	VMQ	SIB-1835
OR26202900-08	29.00	2.62	NBR	SIB-2502
OR27502900-08	29.00	2.75	NBR	SIB-1542
OR30002900-L5	29.00	3.00	PU	POA-400
OR30002900-T2	29.00	3.00	VMQ	SIB-2212
OR30002900-08-MD	29.00	3.00	NBR	SIB-2253

Part No.	d	c/s	Material	Mould No.
OR30002900-64	29.00	3.00	FKM	SIB-1235
OR30002900-08	29.00	3.00	NBR	SIB-129
OR30002900-64	29.00	3.00	FKM	SIB-837
OR30002900-11	29.00	3.00	NBR	SIB-1462
OR31002900-T2	29.00	3.10	VMQ	SIB-2543
OR31702900-08	29.00	3.17	NBR	SIB-1553
OR32502900-64	29.00	3.25	FKM	SIB-1696
OR35002900-08	29.00	3.50	NBR	SIB-156
OR35002900-T5	29.00	3.50	EPDM	SIB-2659
OR35002900-64	29.00	3.50	FKM	SIB-2790
OR40002900-08	29.00	4.00	NBR	SIB-569
OR40002900-65	29.00	4.00	FKM	SIB-2432
OR45002900-08	29.00	4.50	NBR	SIB-582
OR46002900-08	29.00	4.60	NBR	SIB-2809
OR47502900-08	29.00	4.75	NBR	SIB-1566
OR48002900-66	29.00	4.80	FKM	SIB-2745
OR48002900-L5	29.00	4.80	EPDM	SIB-2873
OR50002900-08	29.00	5.00	NBR	SIB-363
OR50002900-64	29.00	5.00	FKM	SIB-2990
OR60002900-08	29.00	6.00	NBR	SIB-2099
OR60002900-43	29.00	6.00	VMQ	SIB-2740
OR70002900-66	29.00	7.00	FKM	SIB-2803
OR80002900-08	29.00	8.00	NBR	SIB-2429
OR12002900-08	29.00	12.00	NBR	SIC-2079
OR14002900-08	29.00	14.00	NBR	SIC-1647
OR16002910-64	29.10	1.60	FKM	SIB-980
OR16002910-11	29.10	1.60	NBR	SIB-2261
OR30002920-08	29.20	3.00	NBR	SIB-711
OR32002920-08	29.20	3.20	NBR	SIB-557
OR35002920-64	29.20	3.50	FKM	SIB-2683
OR42002920-34	29.20	4.20	EPDM	SIB-2564
OR47002920-08	29.20	4.70	NBR	SIB-2681
OR15002930-08	29.30	1.50	NBR	SIB-2118
OR30002930-66	29.30	3.00	FKM	SIB-2703
OR36002930-64	29.30	3.60	FKM	SIB-1023
OR36002930-08	29.30	3.60	NBR	SIB-1688
OR60002930-32	29.30	6.00	EPDM	SIB-2032
OR16002940-08	29.40	1.60	NBR	SIB-2829
OR18002940-08	29.40	1.80	NBR	SIB-2732
OR25002940-08	29.40	2.50	NBR	SIB-1043
OR25002950-64	29.40	2.50	FKM	SIB-2440
OR31002940-08	29.40	3.10	NBR	SIB-1788
OR31002940-11	29.40	3.10	NBR	SIB-1948
OR31002940-64	29.40	3.10	FKM	SIB-1552
OR34002940-11	29.40	3.40	NBR	SIB-2840
OR40002940-08	29.40	4.00	NBR	SIB-2386
OR31002940-68	29.40	3.10	FKM	SIB-3011
OR53002940-08	29.40	5.30	NBR	SIB-2317
OR15002950-08	29.50	1.50	NBR	SIB-1710
OR15002950-64	29.50	1.50	FKM	SIB-2557
OR16002950-64	29.50	1.60	FKM	SIB-1958
OR20002950-08	29.50	2.00	NBR	SIB-2125
OR20002950-64	29.50	2.00	FKM	SIB-1668
OR21502950-08	29.50	2.15	NBR	SIB-915
OR23002950-43	29.50	2.30	VMQ	SIB-2008
OR25002950-64	29.50	2.50	FKM	SIB-1961
OR26202950-45	29.50	2.62	VMQ	SIB-2390
OR27502950-08	29.50	2.75	NBR	SIB-281
OR30002950-08	29.50	3.00	NBR	SIB-618
OR30002950-S4	29.50	3.00	HNBR	SIB-2413
OR30002950-T5	29.50	3.00	EPDM	SIB-3025
OR30002950-L3	29.50	3.00	AFLAS	SIB-2892
OR30002950-20	29.50	3.00	CR	SIB-3041
OR30002950-64	29.50	3.00	FKM	SIB-3092
OR32002950-43	29.50	3.20	VMQ	SIB-1676
OR32502950-66	29.50	3.25	FKM	SIB-2928
OR35002950-08	29.50	3.50	NBR	SIB-664
OR36002950-49	29.50	3.60	HNBR	SIB-3323
OR40002950-10	29.50	4.00	NBR	SIB-889
OR57002950-08	29.50	5.70	NBR	SIB-975
OR53302951-64	29.51	5.33	FKM	SIB-2175
OR53302951-08	29.51	5.33	NBR	SIB-1010
OR53302951-M4	29.51	5.33	FVMQ	SIB-3268

Bold sizes are readily available in stock.
 Other material are available on request.

Part No.	d	c/s	Material	Mould No.
OR17802960-08	29.60	1.78	NBR	SIB-2216
OR29002960-11	29.60	2.90	NBR	SIB-2084
OR50002960-65	29.60	5.00	FKM	SIB-2924
OR31602968-64	29.68	3.16	FKM	SIB-3117
OR15002970-64	29.70	1.50	FKM	SIB-2685
OR20002970-08	29.70	2.00	NBR	SIB-1993
OR24002970-08	29.70	2.40	NBR	SIB-909
OR26502970-20	29.70	2.65	CR	SIB-2671
OR29002970-67	29.70	2.90	FKM	SIB-2226
OR35002970-67	29.70	3.50	FKM	SIB-1334
OR40002970-64	29.70	4.00	FKM	SIB-1365
OR35302972-08	29.72	3.53	NBR	SIB-1989
OR29402974-08	29.74	2.94	NBR	SIB-851
OR29402974-59	29.74	2.94	PU	POA-508
OR29502974-64	29.74	2.95	FKM	SIB-2551
OR39000766-08	29.74	3.53	NBR	SIB-1933
OR35302974-64	29.74	3.53	FKM	SIB-1219
OR35302974-08	29.74	3.53	NBR	SIB-780
OR35302974-08	29.74	3.53	NBR	SIB-753
OR35302974-06	29.74	3.53	NBR	SIB-3029
OR55302974-08	29.74	5.53	NBR	SIB-1468
OR22002980-08	29.80	2.20	NBR	SIB-2595
OR23502980-66	29.80	2.35	FKM	SIB-1417
OR26002980-67	29.80	2.60	FKM	SIB-1628
OR30002980-64	29.80	3.00	FKM	SIB-1543
OR34002980-59	29.80	3.40	PU	POA-292
OR26202982-64	29.82	2.62	FKM	SIB-1261
OR26202982-64	29.82	2.62	FKM	SIB-1279
OR26202982-08	29.82	2.62	NBR	SIB-802
OR26202982-08	29.82	2.62	NBR	SIB-1736
OR26202982-T5	29.82	2.62	EPDM	SIB-1832
OR26202982-T9	29.82	2.62	FKM	SIB-2477
OR15902987-08	29.87	1.59	NBR	SIB-2746
OR17802987-64	29.87	1.78	FKM	SIB-1134
OR17802987-08	29.87	1.78	NBR	SIB-665
OR17802987-08	29.87	1.78	NBR	SIB-1923
OR17802987-O3	29.87	1.78	NBR	SIB-3140
OR52202988-L5	29.88	5.22	PU	POA-483
OR22502990-L5	29.90	2.25	PU	POA-552
OR26002990-08	29.90	2.60	NBR	SIB-374
OR10003000-43	30.00	1.00	VMQ	SIB-2234
OR10003000-08	30.00	1.00	NBR	SIB-725
OR13003000-08	30.00	1.30	NBR	SIB-2662
OR13803000-11	30.00	1.38	NBR	SIB-2263
OR14003000-08	30.00	1.40	NBR	SIB-2378
OR15003000-08	30.00	1.50	NBR	SIB-1654
OR15003000-R1	30.00	1.50	FVMQ	SIB-1739
OR15003000-08	30.00	1.50	NBR	SIB-495
OR15003000-08	30.00	1.50	NBR	SIB-523
OR15003000-64	30.00	1.50	FKM	SIB-1410
OR17003000-08	30.00	1.70	NBR	SIB-1863
OR18003000-08	30.00	1.80	NBR	SIB-974
OR18003000-L5	30.00	1.80	PU	POA-342
OR18003000-D5	30.00	1.80	HNBR	SIB-2146
OR20003000-64	30.00	2.00	FKM	SIB-1179
OR20003000-08	30.00	2.00	NBR	SIB-1157
OR20003000-66	30.00	2.00	FKM	SIB-1465
OR20003000-08	30.00	2.00	NBR	SIB-587
OR20003000-59	30.00	2.00	PU	POA-429
OR20503000-66	30.00	2.05	FKM	SIB-1080
OR20503000-66	30.00	2.05	FKM	SIB-1369
OR21003000-08	30.00	2.10	NBR	SIB-3311
OR22003000-67	30.00	2.20	FKM	SIB-968
OR23003000-08	30.00	2.30	NBR	SIB-1421
OR25003000-64	30.00	2.50	FKM	SIB-1257
OR25003000-08	30.00	2.50	NBR	SIB-1049
OR25003000-67	30.00	2.50	FKM	SIB-960
OR25003000-08	30.00	2.50	NBR	SIB-1681
OR25003000-06	30.00	2.50	NBR	SIB-2866
OR26003000-L5	30.00	2.60	PU	POA-339
OR26203000-43	30.00	2.62	VMQ	SIB-2394
OR26503000-08	30.00	2.65	NBR	SIB-1215
OR26503000-64	30.00	2.65	FKM	SIB-2475

Part No.	d	c/s	Material	Mould No.
OR27003000-09	30.00	2.70	NBR	SIB-105
OR28003000-64	30.00	2.80	FKM	SIB-422
OR28003000-08	30.00	2.80	NBR	SIB-3249
OR30003000-L5	30.00	3.00	PU	POA-168
OR30003000-66	30.00	3.00	FKM	SIB-1063
OR30003000-08	30.00	3.00	NBR	SIB-1083
OR30003000-64	30.00	3.00	FKM	SIB-1296
OR30003000-08	30.00	3.00	NBR	SIB-414
OR30003000-22	30.00	3.00	CR	SIB-1725
OR30003000-23	30.00	3.00	CR	SIB-1781
OR31003000-08	30.00	3.10	NBR	SIB-1769
OR31503000-08	30.00	3.15	NBR	SIB-1554
OR31703000-64	30.00	3.17	FKM	SIB-2565
OR32003000-08	30.00	3.20	NBR	SIB-481
OR32003000-64	30.00	3.20	FKM	SIB-1978
OR35003000-64	30.00	3.50	FKM	SIB-248
OR35003000-08	30.00	3.50	NBR	SIB-170
OR35003000-32	30.00	3.50	EPDM	SIB-2338
OR35003000-08	30.00	3.50	NBR	SIB-1943
OR35003000-T5	30.00	3.50	EPDM	SIB-1831
OR35503000-66	30.00	3.55	FKM	SIB-1150
OR35503000-08	30.00	3.55	NBR	SIB-1775
OR35503000-T5	30.00	3.55	EPDM	SIB-2856
OR37003000-BC	30.00	3.70	FKM	SIB-3054
OR40003000-64	30.00	4.00	FKM	SIB-2248
OR40003000-08	30.00	4.00	NBR	SIB-216
OR40003000-32	30.00	4.00	EPDM	SIB-2788
OR42003000-10	30.00	4.20	NBR	SIB-3182
OR45003000-64	30.00	4.50	FKM	SIB-1857
OR45003000-08	30.00	4.50	NBR	SIB-2239
OR46003000-08	30.00	4.60	NBR	SIB-712
OR50003000-90	30.00	5.00	SBR	SIB-1108
OR50003000-08	30.00	5.00	NBR	SIB-280
OR50003000-08	30.00	5.00	FKM	SIB-1782
OR50003000-64	30.00	5.00	FKM	SIB-2678
OR50003000-T5	30.00	5.00	EPDM	SIB-2739
OR50003000-L5	30.00	5.00	PU	POA-517
OR53003000-61	30.00	5.30	FKM	SIB-3264
OR55003000-08	30.00	5.50	NBR	SIB-2922
OR60003000-08	30.00	6.00	NBR	SIB-648
OR60003000-32	30.00	6.00	EPDM	SIB-2805
OR60003000-64	30.00	6.00	FKM	SIB-2991
OR65003000-08	30.00	6.50	NBR	SIB-2537
OR65003000-66	30.00	6.50	FKM	SIB-2653
OR80003000-08	30.00	8.00	NBR	SIB-312
OR10003000-18	30.00	10.00	CR	SIB-1096
OR10003000-06	30.00	10.00	NBR	SIB-1511
OR10503000-08	30.00	10.50	NBR	SIB-1102
OR12003000-08	30.00	12.00	NBR	SIB-1603
OR14003000-08	30.00	14.00	NBR	SIB-1120
OR22003010-R1	30.10	2.20	FVMQ	SIB-2548
OR23803016-08	30.16	2.38	NBR	SIB-1325
OR31703016-08	30.16	3.17	NBR	SIB-1119
OR23803017-R3	30.17	2.38	PU	POA-369
OR31703017-64	30.17	3.17	FKM	SIB-3120
OR15003020-08	30.20	1.50	NBR	SIB-2138
OR30003020-08	30.20	3.00	NBR	SIB-1139
QR30003020-64	30.20	3.00	FKM	SIB-1970
OR30003020-L3	30.20	3.00	AFLAS	SIB-3274
OR34003020-08	30.20	3.40	NBR	SIB-2073
OR30003024-08	30.24	3.00	NBR	SIB-102
OR53303024-32	30.24	5.33	EPDM	SIB-1952
OR24003030-08	30.30	2.40	NBR	SIB-1138
OR26503035-08	30.35	2.65	NBR	SIB-2036
OR23203037-64	30.37	2.32	FKM	SIB-2059
OR36003040-64	30.40	3.60	FKM	SIB-1251
OR45303040-64	30.40	4.53	FKM	SIB-1844
OR17503050-08	30.50	1.75	NBR	SIB-799
OR20003050-11	30.50	2.00	NBR	SIB-961
OR21003050-43	30.50	2.10	VMQ	SIB-2558
OR22003050-08	30.50	2.20	NBR	SIB-2448
OR25003050-08	30.50	2.50	NBR	SIB-3278
OR31503050-64	30.50	3.15	FKM	SIB-1364

Bold sizes are readily available in stock.
Other material are available on request.

Part No.	d	c/s	Material	Mould No.
OR32003050-64	30.50	3.20	FKM	SIB-1893
OR35003050-L5	30.50	3.50	PU	POA-396
OR37503050-64	30.50	3.75	FKM	SIB-1876
OR38003050-08	30.50	3.80	NBR	SIB-602
OR40003050-43	30.50	4.00	VMQ	SIB-1378
OR40003050-08	30.50	4.00	NBR	SIB-310
OR45003050-08	30.50	4.50	NBR	SIB-382
OR50003050-06	30.50	5.00	NBR	SIB-2215
OR50003050-T2	30.50	5.00	VMQ	SIB-3165
OR15003060-64	30.60	1.50	FKM	SIB-1885
OR24003060-08	30.60	2.40	NBR	SIB-550
OR27003060-08	30.60	2.70	NBR	SIB-3175
OR33003060-64	30.60	3.30	FKM	SIB-2672
OR35303063-67	30.63	3.53	FKM	SIB-1997
OR17003070-08	30.70	1.70	NBR	SIB-2274
OR25003070-Z8	30.70	2.50	HNBR	SIB-2135
OR30003070-08	30.70	3.00	NBR	SIB-1292
OR35003070-43	30.70	3.50	VMQ	SIB-2611
OR20003080-08	30.80	2.00	NBR	SIB-1484
OR31003080-64	30.80	3.10	FKM	SIB-1337
OR36003080-08	30.80	3.60	NBR	SIB-2068
OR36003080-T9	30.80	3.60	FKM	SIB-3330
OR46003080-08	30.80	4.60	NBR	SIB-999
OR41203081-08	30.81	4.12	NBR	SIB-2355
OR46003084-64	30.84	4.60	FKM	SIB-1516
OR73603086-06	30.86	7.36	NBR	SIB-1491
OR35303090-64	30.90	3.53	FKM	SIB-1520
OR44003090-08	30.90	4.40	NBR	SIB-580
OR79503094-10	30.94	7.95	NBR	SIB-2749
OR10003100-08	31.00	1.00	NBR	SIB-2058
OR10003100-64	31.00	1.00	FKM	SIB-2687
OR11003100-08	31.00	1.10	NBR	SIB-2830
OR12003100-43	31.00	1.20	VMQ	SIB-1908
OR12003100-T3	31.00	1.20	EPDM	SIB-2540
OR15003100-08	31.00	1.50	NBR	SIB-1169
OR15003100-R1	31.00	1.50	FVMQ	SIB-3327
OR16003100-08	31.00	1.60	NBR	SIB-2650
OR16003100-43	31.00	1.60	VMQ	SIB-3223
OR16503100-43	31.00	1.65	VMQ	SIB-3228
OR17003100-08	31.00	1.70	NBR	SIB-2738
OR17003100-43	31.00	1.70	VMQ	SIB-3281
OR17803100-64	31.00	1.78	FKM	SIB-2954
OR18003100-64	31.00	1.80	FKM	SIB-2660
OR20003100-64	31.00	2.00	FKM	SIB-399
OR20003100-08	31.00	2.00	NBR	SIB-976
OR24003100-64	31.00	2.40	FKM	SIB-2955
OR25003100-08	31.00	2.50	NBR	SIB-742
OR25003100-64	31.00	2.50	FKM	SIB-1627
OR26003100-64	31.00	2.60	FKM	SIB-2207
OR26203100-08	31.00	2.62	NBR	SIB-2360
OR27503100-08	31.00	2.75	NBR	SIB-2373
OR27503100-64	31.00	2.75	FKM	SIB-1703
OR28003100-08	31.00	2.80	NBR	SIB-1255
OR30003100-08	31.00	3.00	NBR	SIB-115
OR30003100-64	31.00	3.00	FKM	SIB-1030
OR30003100-64	31.00	3.00	FKM	SIB-396
OR30003100-L5	31.00	3.00	PU	POA-495
OR35003100-08	31.00	3.50	NBR	SIB-117
OR35003100-64	31.00	3.50	FKM	SIB-180
OR35003100-L5	31.00	3.50	PU	POA-132
OR35003100-32	31.00	3.50	EPDM	SIB-2674
OR37003100-43	31.00	3.70	VMQ	SIB-2329
OR40003100-L5	31.00	4.00	PU	POA-422
OR40003100-08	31.00	4.00	NBR	SIB-904
OR40003100-T9	31.00	4.00	FKM	SIB-2966
OR42503100-08	31.00	4.25	NBR	SIB-1825
OR45003100-06	31.00	4.50	NBR	SIB-1144
OR45003100-06	31.00	4.50	NBR	SIB-325
OR45003100-D6	31.00	4.50	HNBR	SIB-3191
OR46003100-08	31.00	4.60	NBR	SIB-3107
OR47003100-08	31.00	4.70	NBR	SIB-2303
OR50003100-64	31.00	5.00	FKM	SIB-2388
OR50003100-08	31.00	5.00	NBR	SIB-395

Part No.	d	c/s	Material	Mould No.
OR55003100-10	31.00	5.50	NBR	SIB-2915
OR60003100-10	31.00	6.00	NBR	SIB-966
OR65003100-08	31.00	6.50	NBR	SIB-2827
OR75003100-37	31.00	7.50	VMQ	SIB-1361
OR80003100-43	31.00	8.00	VMQ	SIB-2412
OR14003100-43	31.00	14.00	VMQ	SIC-2061
OR22903105-C1	31.05	2.29	XNBR	SIB-2900
OR22603108-08	31.08	2.26	NBR	SIB-2771
OR22603108-08	31.08	2.26	NBR	SIB-2973
OR19030100-66	31.10	1.90	FKM	SIB-2979
OR69903111-D6	31.11	6.99	HNBR	SIB-2500
OR53303112-64	31.12	5.33	FKM	SIB-1614
OR53303112-08	31.12	5.33	NBR	SIB-596
OR19003120-64	31.20	1.90	FKM	SIB-2153
OR30003120-11	31.20	3.00	NBR	SIB-3324
OR31503120-64	31.20	3.15	FKM	SIB-1354
OR33003125-64	31.25	3.30	FKM	SIB-2762
OR24003130-08	31.30	2.40	NBR	SIB-3047
OR36003130-08	31.30	3.60	NBR	SIB-201
OR36003130-D5	31.30	3.60	HNBR	SIB-1582
OR35303134-Z1	31.34	3.53	HNBR	SIB-1371
OR35303134-T5	31.34	3.53	EPDM	SIB-1374
OR35303134-06	31.34	3.53	NBR	SIB-1133
OR35303134-64	31.34	3.53	FKM	SIB-1274
OR35303134-32	31.34	3.53	EPDM	SIB-1576
OR35303134-64	31.34	3.53	FKM	SIB-1962
OR35303134-08	31.34	3.53	NBR	SIB-836
OR35303134-45	31.34	3.53	VMQ	SIB-2797
OR35303134-CM	31.34	3.53	FKM	SIB-3333
OR53303134-34	31.34	5.33	EPDM	SIB-2497
OR55303134-67	31.34	5.53	FKM	SIB-2782
OR17203135-08	31.35	1.72	NBR	SIB-1188
OR18003135-08	31.35	1.80	NBR	SIB-1969
OR25003135-08	31.35	2.50	NBR	SIB-552
OR53303136-64	31.36	5.33	FKM	SIB-2201
OR10003140-64	31.40	1.00	FKM	SIB-2605
OR33003140-08	31.40	3.30	NBR	SIB-3214
OR55003140-08	31.40	5.50	NBR	SIB-3203
OR26203141-59	31.41	2.62	PU	POA-513
OR26203142-64	31.42	2.62	FKM	SIB-1186
OR26203142-08	31.42	2.62	NBR	SIB-1089
OR26203142-43	31.42	2.62	VMQ	SIB-1273
OR26203142-08	31.42	2.62	NBR	SIB-770
OR26203142-T5	31.42	2.62	EPDM	SIB-2462
OR17803147-64	31.47	1.78	FKM	SIB-1276
OR17803147-08	31.47	1.78	NBR	SIB-675
OR17803147-64	31.47	1.78	FKM	SIB-1466
OR17803147-68	31.47	1.78	FKM	SIB-2511
OR17803147-49	31.47	1.78	HNBR	SIB-3009
OR17803147-64	31.47	1.78	FKM	SIB-3013
OR17803147-58	31.47	1.78	FVMQ	SIB-3150
OR15003150-08	31.50	1.50	NBR	SIB-2310
OR16003150-08	31.50	1.60	NBR	SIB-551
OR17503150-08	31.50	1.75	NBR	SIB-1624
OR18003150-64	31.50	1.80	FKM	SIB-888
OR18003150-08	31.50	1.80	NBR	SIB-902
OR18503150-08	31.50	1.85	NBR	SIB-1682
OR20003150-08	31.50	2.00	NBR	SIB-2056
OR25003150-08	31.50	2.50	NBR	SIB-529
OR25003150-08	31.50	2.50	NBR	SIB-1205
OR26503150-08	31.50	2.65	NBR	SIB-1768
OR28003150-08	31.50	2.80	NBR	SIB-265
OR30003150-08	31.50	3.00	NBR	SIB-905
OR30003150-39	31.50	3.00	VMQ	SIB-2434
OR30003150-20	31.50	3.00	CR	SIB-3134
OR35003150-08	31.50	3.50	NBR	SIB-261
OR35003150-08	31.50	3.50	NBR	SIB-174
OR35003150-87	31.50	3.50	PU	POA-413
OR35503150-08	31.50	3.55	NBR	SIB-1770
OR40003150-08	31.50	4.00	NBR	SIB-741
OR50003150-08	31.50	5.00	NBR	SIB-554
OR60003150-08	31.50	6.00	NBR	SIB-2438
OR63003150-L5	31.50	6.30	PU	POA-249

Bold sizes are readily available in stock.
 Other material are available on request.

Part No.	d	c/s	Material	Mould No.
OR63003150-08	31.50	6.30	NBR	SIB-2080
OR31600170-64	31.60	1.70	FKM	SIB-1829
OR24003160-43	31.60	2.40	VMQ	SIB-1531
OR24003160-T9	31.60	2.40	FKM	SIB-2637
OR26003160-08	31.60	2.60	NBR	SIB-3202
OR27003160-59	31.60	2.70	PU	POA-431
OR36003160-08	31.60	3.60	NBR	SIB-2035
OR70003160-67	31.60	7.00	FKM	SIB-1759
OR70003160-67	31.60	7.00	FKM	SIB-1850
OR32003163-64	31.63	3.20	FKM	SIB-1357
OR31503170-64	31.70	3.15	FKM	SIB-1356
OR35003170-08	31.70	3.50	NBR	SIB-328
OR15803175-64	31.75	1.58	FKM	SIB-2115
OR23803175-59	31.75	2.38	PU	POA-511
OR32003175-64	31.75	3.20	FKM	SIB-145
OR32003175-08	31.75	3.20	NBR	SIB-1579
OR35303175-L5	31.75	3.53	PU	POA-381
OR39603175-08	31.75	3.96	NBR	SIB-2105
OR39603175-64	31.75	3.96	FKM	SIB-3068
OR24003180-08	31.80	2.40	NBR	SIB-2927
OR27003180-08	31.80	2.70	NBR	SIB-541
OR35303180-43	31.80	3.53	VMQ	SIB-2194
OR50003180-08	31.80	5.00	NBR	SIB-2287
OR15103183-64	31.83	1.51	FKM	SIB-2709
OR30003185-64	31.85	3.00	FKM	SIB-2717
OR68603186-08	31.86	6.86	NBR	SIB-1202
OR28003190-67	31.90	2.80	FKM	SIB-2521
OR10003200-10	32.00	1.00	NBR	SIB-1317
OR12803200-10	32.00	1.28	NBR	SIB-1715
OR13003200-67	32.00	1.30	FKM	SIB-2097
OR15003200-64	32.00	1.50	FKM	SIB-769
OR15003200-08	32.00	1.50	NBR	SIB-121
OR16003200-64	32.00	1.60	FKM	SIB-2133
OR17503200-08	32.00	1.75	NBR	SIB-2242
OR17803200-08	32.00	1.78	NBR	SIB-1834
OR17803200-L5	32.00	1.78	PU	POA-478
OR18003200-64	32.00	1.80	FKM	SIB-2695
OR20003200-64	32.00	2.00	FKM	SIB-1217
OR20003200-08	32.00	2.00	NBR	SIB-407
OR20003200-43	32.00	2.00	VMQ	SIB-3032
OR22003200-08	32.00	2.20	NBR	SIB-1716
OR23003200-08	32.00	2.30	NBR	SIB-1717
OR24003200-08	32.00	2.40	NBR	SIB-1231
OR25003200-64	32.00	2.50	FKM	SIB-1165
OR25003200-11	32.00	2.50	NBR	SIB-1148
OR25003200-64	32.00	2.50	FKM	SIB-1004
OR25003200-08	32.00	2.50	NBR	SIB-475
OR25003200-L5	32.00	2.50	PU	POA-457
OR26003200-08	32.00	2.60	NBR	SIB-2265
OR26003200-64	32.00	2.60	FKM	SIB-1303
OR26203200-64	32.00	2.62	FKM	SIB-1477
OR27503200-08	32.00	2.75	NBR	SIB-1437
OR27803200-08	32.00	2.78	NBR	SIB-1865
OR30003200-66	32.00	3.00	FKM	SIB-1085
OR30003200-64	32.00	3.00	FKM	SIB-1220
OR30003200-34	32.00	3.00	EPDM	SIB-204
OR30003200-08	32.00	3.00	NBR	SIB-857
OR30003200-08	32.00	3.00	NBR	SIB-531
OR30003200-08	32.00	3.00	NBR	SIB-1848
OR30003200-D6	32.00	3.00	HNBR	SIB-2947
OR30003200-R1	32.00	3.00	FVMQ	SIB-2963
OR30003200-L5	32.00	3.00	PU	POA-537
OR30003200-44	32.00	3.00	VMQ	SIB-3307
OR31003200-08	32.00	3.10	NBR	SIB-1763
OR32003200-08	32.00	3.20	NBR	SIB-457
OR32003200-08	32.00	3.20	NBR	SIB-245
OR32003200-64	32.00	3.20	FKM	SIB-2893
OR33003200-08	32.00	3.30	NBR	SIB-3235
OR34003200-64	32.00	3.40	FKM	SIB-2969
OR35003200-43	32.00	3.50	VMQ	SIB-1675
OR35003200-08	32.00	3.50	NBR	SIB-172
OR35003200-64	32.00	3.50	FKM	SIB-1987
OR35003200-R1	32.00	3.50	FVMQ	SIB-3183

Part No.	d	c/s	Material	Mould No.
OR36003200-67	32.00	3.60	FKM	SIB-2916
OR38003200-64	32.00	3.80	FKM	SIB-1497
OR38003200-08	32.00	3.80	NBR	SIB-585
OR40003200-08	32.00	4.00	NBR	SIB-192
OR40003200-08	32.00	4.00	NBR	SIB-1912
OR40003200-43	32.00	4.00	VMQ	SIB-1581
OR40003200-64	32.00	4.00	FKM	SIB-1603
OR40003200-59	32.00	4.00	PU	POA-427
OR40003200-32	32.00	4.00	EPDM	SIB-2555
OR42003200-D5	32.00	4.20	HNBR	SIB-3215
OR45003200-08	32.00	4.50	NBR	SIB-2309
OR45003200-D5	32.00	4.50	HNBR	SIB-3195
OR50003500-67	32.00	5.00	FKM	SIB-1280
OR50003200-08	32.00	5.00	NBR	SIB-1107
OR50003200-08	32.00	5.00	NBR	SIB-1187
OR50003200-08	32.00	5.00	NBR	SIB-464
OR50003200-43	32.00	5.00	VMQ	SIB-831
OR50003200-32	32.00	5.00	EPDM	SIB-3263
OR55003200-08	32.00	5.50	NBR	SIB-1568
OR57003200-66	32.00	5.70	FKM	SIB-1423
OR57003200-08	32.00	5.70	NBR	SIB-2231
OR60003200-T9	32.00	6.00	FKM	SIB-2281
OR60003200-08	32.00	6.00	NBR	SIB-2124
OR65003200-08	32.00	6.50	NBR	SIB-433
OR70003200-64	32.00	7.00	FKM	SIB-507
OR80003200-08	32.00	8.00	NBR	SIB-946
OR14003200-H8	32.00	14.00	NBR	SIC-1082
OR14003200-08	32.00	14.00	NBR	SIC-2166
OR35303202-64	32.02	3.53	FKM	SIB-1612
OR10003210-08	32.10	1.00	NBR	SIB-1097
OR16003210-08	32.10	1.60	NBR	SIB-2014
OR30003220-08	32.20	3.00	NBR	SIB-1140
OR24003230-08	32.30	2.40	NBR	SIB-2381
OR26203239-08	32.39	2.62	NBR	SIB-2046
OR25003240-D5	32.40	2.50	HNBR	SIB-1434
OR25003240-08	32.40	2.50	NBR	SIB-1671
OR28003240-62	32.40	2.80	FKM	SIB-2423
OR33003240-08	32.40	3.30	NBR	SIB-456
OR25003240-D5	32.40	2.50	HNBR	SIB-1435
OR26203247-43	32.47	2.62	VMQ	SIB-1264
OR30003248-64	32.48	3.00	FKM	SIB-1348
OR10003250-08	32.50	1.00	NBR	SIB-3188
OR15003250-08	32.50	1.50	NBR	SIB-1631
OR16003250-08	32.50	1.60	NBR	SIB-722
OR17003250-43	32.50	1.70	VMQ	SIB-2736
OR17503250-08	32.50	1.75	NBR	SIB-1513
OR20003250-T7	32.50	2.00	FKM	SIB-2467
OR21003250-64	32.50	2.10	FKM	SIB-1350
OR22503250-08	32.50	2.25	NBR	SIB-823
OR25003250-L5	32.50	2.50	PU	POA-287
OR26503250-08	32.50	2.65	NBR	SIB-2912
OR27003250-64	32.50	2.70	FKM	SIB-990
OR27003250-08	32.50	2.70	NBR	SIB-2220
OR29003250-64	32.50	2.90	FKM	SIB-1544
OR30003250-08	32.50	3.00	NBR	SIB-789
OR30003250-R1	32.50	3.00	FVMQ	SIB-2472
OR32503250-43	32.50	3.25	VMQ	SIB-2260
OR35003250-67	32.50	3.50	FKM	SIB-1452
OR35003250-11	32.50	3.50	NBR	SIB-2553
OR35003250-08	32.50	3.50	NBR	SIB-3004
OR35303250-34	32.50	3.53	EPDM	SIB-731
OR35303250-L5	32.50	3.53	PU	POA-549
OR36003250-64	32.50	3.60	FKM	SIB-2291
OR50003250-D6	32.50	5.00	HNBR	SIB-3194
OR53003250-34	32.50	5.30	EPDM	SIB-3291
OR24003260-08	32.60	2.40	NBR	SIB-1286
OR32003260-08	32.60	3.20	NBR	SIB-2025
OR35303260-64	32.60	3.53	FKM	SIB-2615
OR36003260-08	32.60	3.60	NBR	SIB-2466
OR53303269-64	32.69	5.33	FKM	SIB-2188
OR53303269-08	32.69	5.33	NBR	SIB-924
OR29003270-64	32.70	2.90	FKM	SIB-1665
OR34003270-10	32.70	3.40	NBR	SIB-1111

Bold sizes are readily available in stock.
Other material are available on request.

Part No.	d	c/s	Material	Mould No.
OR34003270-10	32.70	3.40	NBR	SIB-1900
OR38103270-08	32.70	3.81	NBR	SIB-3258
OR45003270-08	32.70	4.50	NBR	SIB-203
OR03773274-64	32.74	3.77	FKM	SIB-1805
OR15003280-64	32.80	1.50	FKM	SIB-1323
OR32003290-64	32.90	3.20	FKM	SIB-3027
OR35303290-L5	32.90	3.53	PU	POA-128
OR35303290-64	32.90	3.53	FKM	SIB-1321
OR35303291-43	32.91	3.53	VMQ	SIB-2758
OR26203292-08	32.92	2.62	NBR	SIB-3320
OR35303292-67	32.92	3.53	FKM	SIB-1195
OR35303292-64	32.92	3.53	FKM	SIB-1262
OR35303292-11	32.92	3.53	NBR	SIB-101
OR35303292-64	32.92	3.53	FKM	SIB-1512
OR35303292-BN	32.92	3.53	FKM	SIB-2902
OR53303292-08	32.92	5.33	FKM	SIB-949
OR26203299-06	32.99	2.62	NBR	SIB-2228
OR26203299-64	32.99	2.62	FKM	SIB-1269
OR26203299-08	32.99	2.62	NBR	SIB-1192
OR26203299-08	32.99	2.62	NBR	SIB-751
OR10003300-08	33.00	1.00	NBR	SIB-633
OR10003300-20	33.00	1.00	CR	SIB-3271
OR12003300-08	33.00	1.20	NBR	SIB-2796
OR15003300-08	33.00	1.50	NBR	SIB-1376
OR16003300-64	33.00	1.60	FKM	SIB-2208
OR18203300-08	33.00	1.82	NBR	SIB-2409
OR20003300-64	33.00	2.00	FKM	SIB-795
OR20003300-08	33.00	2.00	NBR	SIB-535
OR25003300-66	33.00	2.50	FKM	SIB-1699
OR25003300-08	33.00	2.50	NBR	SIB-289
OR25003300-64	33.00	2.50	FKM	SIB-2178
OR25003300-L5	33.00	2.50	PU	POA-444
OR26203300-09	33.00	2.62	NBR	SIB-626
OR26203300-L5	33.00	2.62	PU	POA-394
OR26203300-64	33.00	2.62	FKM	SIB-3200
OR27003300-L5	33.00	2.70	PU	POA-484
OR27503300-08	33.00	2.75	NBR	SIB-2562
OR28003300-08	33.00	2.80	NBR	SIB-339
OR28003300-64	33.00	2.80	FKM	SIB-2221
OR30003300-64	33.00	3.00	FKM	SIB-2177
OR30003300-08	33.00	3.00	NBR	SIB-181
OR30003300-R1	33.00	3.00	FVMQ	SIB-3206
OR30003300-32	33.00	3.00	EPDM	SIB-1551
OR31003300-08	33.00	3.10	NBR	SIB-1764
OR33003300-64	33.00	3.30	FKM	SIB-1580
OR35003300-64	33.00	3.50	NBR	SIB-1747
OR35003300-08	33.00	3.50	NBR	SIB-993
OR35003300-67	33.00	3.50	FKM	SIB-2554
OR35303300-08	33.00	3.53	NBR	SIB-1479
OR37003300-08	33.00	3.70	NBR	SIB-1026
OR37003300-64	33.00	3.70	FKM	SIB-3240
OR40003300-64	33.00	4.00	FKM	SIB-1868
OR40003300-08	33.00	4.00	NBR	SIB-159
OR40003300-L5	33.00	4.00	PU	POA-440
OR45003300-64	33.00	4.50	FKM	SIB-2536
OR45003300-08	33.00	4.50	NBR	SIB-2833
OR50003300-30	33.00	5.00	EPDM	SIB-2339
OR50003300-08	33.00	5.00	NBR	SIB-612
OR60003300-08	33.00	6.00	NBR	SIB-616
OR70003300-43	33.00	7.00	VMQ	SIB-2889
OR17803305-L5	33.05	1.78	PU	POA-332
OR17803305-08	33.05	1.78	NBR	SIB-666
OR17803305-64	33.05	1.78	FKM	SIB-1022
OR31803315-43	33.15	3.18	VMQ	SIB-3034
OR89003315-10	33.15	8.90	NBR	SIC-752
OR27003320-64	33.20	2.70	FKM	SIB-1252
OR26203325-L5	33.25	2.62	PU	POA-270
OR27003325-08	33.25	2.70	NBR	SIB-116
OR13003330-08	33.30	1.30	NBR	SIB-2437
OR16003330-08	33.30	1.60	NBR	SIB-586
OR17803330-R3	33.30	1.78	PU	POA-362
OR23003330-64	33.30	2.30	FKM	SIB-1670
OR24003330-67	33.30	2.40	FKM	SIB-1685

Part No.	d	c/s	Material	Mould No.
OR24003330-64	33.30	2.40	FKM	SIB-359
OR24003330-10	33.30	2.40	NBR	SIB-1574
OR24003330-08	33.30	2.40	NBR	SIB-1605
OR24003330-67	33.30	2.40	FKM	SIB-576
OR24003330-66	33.30	2.40	FKM	SIB-3091
OR25003330-11	33.30	2.50	NBR	SIB-2417
OR53303330-08	33.30	5.33	NBR	SIB-2599
OR15803333-32	33.33	1.58	EPDM	SIB-1258
OR31703333-08	33.33	3.17	NBR	SIB-1633
OR31703333-46	33.33	3.17	VMQ	SIB-2577
OR31803335-10	33.35	3.18	NBR	SIB-2719
OR28003340-64	33.40	2.80	FKM	SIB-2320
OR28003340-08	33.40	2.80	NBR	SIB-1640
OR30003340-64	33.40	3.00	FKM	SIB-1930
OR30003340-33	33.40	3.00	EPDM	SIB-3178
OR35303340-64	33.40	3.53	FKM	SIB-2362
OR35303340-08	33.40	3.53	NBR	SIB-2825
OR15103342-D5	33.42	1.51	HNBR	SIC-1336
OR15103342-08	33.42	1.51	NBR	SIB-2772
OR10003350-08	33.50	1.00	NBR	SIB-2209
OR12003350-08	33.50	1.20	NBR	SIB-3212
OR14003350-08	33.50	1.40	NBR	SIB-2379
OR15003350-T2	33.50	1.50	VMQ	SIB-3275
OR17803350-U4	33.50	1.78	EPDM	SIB-2946
OR16003350-43	33.50	1.60	VMQ	SIB-2974
OR17803350-08	33.50	1.78	NBR	SIB-918
OR20003350-34	33.50	2.00	EPDM	SIB-1784
OR25003350-08	33.50	2.50	NBR	SIB-2404
OR25003350-64	33.50	2.50	FKM	SIB-2994
OR26003350-08	33.50	2.60	NBR	SIB-860
OR26503350-08	33.50	2.65	NBR	SIB-1021
OR27503350-08	33.50	2.75	NBR	SIB-2100
OR30003350-08	33.50	3.00	NBR	SIB-984
OR30103350-43	33.50	3.01	VMQ	SIB-1651
OR50003350-08	33.50	5.00	NBR	SIB-2518
OR60003350-08	33.50	6.00	NBR	SIB-1639
OR75003350-08	33.50	7.50	NBR	SIB-936
OR43003360-08	33.60	4.30	NBR	SIB-1173
OR22003370-64	33.70	2.20	FKM	SIB-3123
OR35003370-11	33.70	3.50	NBR	SIB-1461
OR35003370-08	33.70	3.50	NBR	SIB-811
OR35003370-T2	33.70	3.50	VMQ	SIB-2076
OR18003380-L5	33.80	1.80	PU	POA-437
OR16003380-08	33.80	1.60	NBR	SIB-3059
OR24003380-08	33.80	2.40	NBR	SIB-2731
OR30003380-64	33.80	3.00	FKM	SIB-3000
OR30003380-08	33.80	3.00	NBR	SIB-3325
OR31003380-64	33.80	3.10	FKM	SIB-1538
OR50003380-20	33.80	5.00	CR	SIB-2259
OR35003393-64	33.93	3.50	FKM	SIB-1472
OR10003400-41	34.00	1.00	VMQ	SIB-2024
OR10003400-08	34.00	1.00	NBR	SIB-1630
OR10003400-62	34.00	1.00	FKM	SIB-2935
OR10003400-D5	34.00	1.00	HNBR	SIB-3296
OR11003400-66	34.00	1.10	FKM	SIB-2907
OR12503400-64	34.00	1.25	FKM	SIB-1456
OR15003400-64	34.00	1.50	FKM	SIB-1826
OR15003400-08	34.00	1.50	NBR	SIB-1469
OR17503400-64	34.00	1.75	FKM	SIB-2219
OR17503400-08	34.00	1.75	NBR	SIB-1941
OR18003400-64	34.00	1.80	FKM	SIB-1824
OR18003400-08	34.00	1.80	NBR	SIB-1990
OR19003400-08	34.00	1.90	NBR	SIB-1896
OR20003400-64	34.00	2.00	FKM	SIB-1180
OR20003400-08	34.00	2.00	NBR	SIB-921
OR20003400-T2	34.00	2.00	VMQ	SIB-1819
OR20003400-32	34.00	2.00	EPDM	SIB-3111
OR22003400-08	34.00	2.20	NBR	SIB-2665
OR22003400-64	34.00	2.20	FKM	SIB-2993
OR23003400-08	34.00	2.30	NBR	SIB-1422
OR25003400-L5	34.00	2.50	PU	POA-229
OR25003400-08	34.00	2.50	NBR	SIB-916
OR25003400-64	34.00	2.50	FKM	SIB-1790

Bold sizes are readily available in stock.
 Other material are available on request.

Part No.	d	c/s	Material	Mould No.
OR25003400-43	34.00	2.50	VMQ	SIB-1918
OR25003400-64	34.00	2.50	FKM	SIB-2545
OR26203400-08	34.00	2.62	NBR	SIB-3267
OR27503400-08	34.00	2.75	NBR	SIB-1643
OR30003400-64	34.00	3.00	FKM	SIB-1480
OR30003400-08	34.00	3.00	NBR	SIB-794
OR30003400-L5	34.00	3.00	PU	POA-491
OR32003400-08	34.00	3.20	NBR	SIB-184
OR34003400-64	34.00	3.40	FKM	SIB-2722
OR35003400-08	34.00	3.50	NBR	SIB-473
OR35003400-08	34.00	3.50	NBR	SIB-390
OR35003400-64	34.00	3.50	FKM	SIB-3300
OR35303400-08	34.00	3.53	NBR	SIB-2010
OR35303400-L5	34.00	3.53	PU	POA-531
OR35503400-64	34.00	3.55	FKM	SIB-1355
OR36203400-64	34.00	3.62	FKM	SIB-3257
OR37503400-64	34.00	3.75	FKM	SIB-2108
OR40003400-64	34.00	4.00	FKM	SIB-1149
OR40003400-08	34.00	4.00	NBR	SIB-112
OR45003400-08	34.00	4.50	NBR	SIB-548
OR50003400-08	34.00	5.00	NBR	SIB-132
OR50003400-64	34.00	5.00	FKM	SIB-3241
OR50003400-L5	34.00	5.00	PU	POA-247
OR55003400-08	34.00	5.50	NBR	SIB-2311
OR60003400-H8	34.00	6.00	Natural Rubber	SIB-1158
OR60003400-64	34.00	6.00	FKM	SIB-2689
OR60003400-41	34.00	6.00	VMQ	SIB-2872
OR70003400-08	34.00	7.00	NBR	SIB-1849
OR70003400-43	34.00	7.00	VMQ	SIB-2712
OR80003400-32	34.00	8.00	EPDM	SIB-2290
OR10003400-08	34.00	10.00	NBR	SIC-287
OR63503403-64	34.03	6.35	FKM	SIB-3176
OR53303405-64	34.05	5.33	FKM	SIB-3319
OR32003410-08	34.10	3.20	NBR	SIB-472
OR36003410-R1	34.10	3.60	FVMQ	SIB-2588
OR36003410-10	34.10	3.60	NBR	SIB-3035
OR23834130-64	34.13	2.38	FKM	SIB-3238
OR25503415-08	34.15	2.55	NBR	SIB-1068
OR35303415-L5	34.15	3.53	PU	POA-273
OR20003420-41	34.20	2.00	VMQ	SIB-1467
OR30003420-08	34.20	3.00	NBR	SIB-1141
OR30003420-43	34.20	3.00	VMQ	SIB-1398
OR41003420-09	34.20	4.10	NBR	SIB-2702
OR53303420-08	34.20	5.33	NBR	SIB-3006
OR22703425-08	34.25	2.27	NBR	SIB-2774
OR22603425-D5	34.25	2.26	HNBR	SIB-1879
OR26203426-34	34.26	2.62	EPDM	SIB-2791
OR26203426-08	34.26	2.62	NBR	SIB-3294
OR53303429-64	34.29	5.33	FKM	SIB-710
OR53303429-08	34.29	5.33	NBR	SIB-532
OR53303429-40	34.29	5.33	VMQ	SIB-2798
OR53403429-64	34.29	5.34	FKM	SIB-1976
OR15003430-64	34.30	1.50	FKM	SIB-1973
OR35003430-09	34.30	3.50	NBR	SIB-2976
OR42003430-08	34.30	4.20	NBR	SIB-2148
OR46003430-08	34.30	4.60	NBR	SIB-591
OR43503437-64	34.37	4.35	FKM	SIB-2322
OR31003440-66	34.40	3.10	FKM	SIB-1172
OR31003440-67	34.40	3.10	FKM	SIB-1460
OR31003440-T5	34.40	3.10	EPDM	SIB-3259
OR33003440-08	34.40	3.30	NBR	SIB-2023
OR29503442-10	34.42	2.95	NBR	SIB-1508
OR10003450-08	34.50	1.00	NBR	SIB-663
OR15003450-64	34.50	1.50	FKM	SIB-1282
OR16003450-10	34.50	1.60	NBR	SIB-2160
OR18503450-08	34.50	1.85	NBR	SIB-106
OR20003450-08	34.50	2.00	NBR	SIB-2498
OR25003450-64	34.50	2.50	FKM	SIB-2804
OR25003450-32	34.50	2.50	EPDM	SIB-3159
OR25003450-08	34.50	2.50	NBR	SIB-3279
OR26003450-66	34.50	2.60	NBR	SIB-1755
OR26003450-64	34.50	2.60	FKM	SIB-2455
OR27002450-08	34.50	2.70	NBR	SIB-490

Part No.	d	c/s	Material	Mould No.
OR30003450-08	34.50	3.00	NBR	SIB-111
OR30003450-R1	34.50	3.00	FVMQ	SIB-2473
OR30003450-L3	34.50	3.00	AFLAS	SIB-2895
OR35003450-08	34.50	3.50	NBR	SIB-334
OR35503450-T3	34.50	3.55	EPDM	SIB-3306
OR37503450-08	34.50	3.75	NBR	SIB-304
OR40003450-08	34.50	4.00	NBR	SIB-215
OR50003450-08	34.50	5.00	NBR	SIB-272
OR55003450-64	34.50	5.50	FKM	SIB-1331
OR57503450-20	34.50	5.75	CR	SIB-1733
OR34003452-11	34.52	3.40	NBR	SIB-1742
OR35303452-11	34.52	3.53	NBR	SIB-1882
OR35303452-N8	34.52	3.53	NBR	SIB-1289
OR35303452-67	34.52	3.53	FKM	SIB-1793
OR35303452-64	34.52	3.53	FKM	SIB-1440
OR35303452-07	34.52	3.53	NBR	SIB-779
OR35303452-32	34.52	3.53	EPDM	SIB-3008
OR35303452-59	34.52	3.53	PU	POA-525
OR35303452-08	34.52	3.53	NBR	SIB-3301
OR26203459-87	34.59	2.62	PU	POA-271
OR26203459-64	34.59	2.62	FKM	SIB-1293
OR26003459-09	34.59	2.62	NBR	SIB-832
OR26203459-08	34.59	2.62	NBR	SIB-2130
OR26203459-08	34.59	2.62	NBR	SIB-1690
OR26203459-08	34.59	2.62	NBR	SIB-2474
OR26203459-59	34.59	2.62	PU	POA-512
OR26203459-L3	34.59	2.62	AFLAS	SIB-3127
OR28203459-11	34.59	2.82	NBR	SIB-2590
OR18003460-L5	34.60	1.80	PU	POA-335
OR20003460-64	34.60	2.00	FKM	SIB-2054
OR24003460-08	34.60	2.40	NBR	SIB-1444
OR24003460-43	34.60	2.40	NBR	SIB-2831
OR24003460-64	34.60	2.40	FKM	SIB-2705
OR26203460-45	34.60	2.62	VMQ	SIB-1549
OR26203460-08	34.60	2.62	NBR	SIB-1622
OR36003460-08	34.60	3.60	NBR	SIB-2071
OR31803462-64	34.62	3.18	FKM	SIB-2323
OR17803464-08	34.64	1.78	NBR	SIB-2134
OR25603464-64	34.64	2.56	FKM	SIB-3156
OR26203464-64	34.64	2.62	FKM	SIB-1116
OR17803465-64	34.65	1.78	FKM	SIB-1071
OR17803465-08	34.65	1.78	NBR	SIB-667
OR17803465-08	34.65	1.78	NBR	SIB-1752
OR17803465-D5	34.65	1.78	HNBR	SIB-1823
OR17803465-L3	34.65	1.78	AFLAS	SIB-2520
OR13003470-08	34.70	1.30	NBR	SIB-1852
OR30003470-08	34.70	3.00	NBR	SIB-1313
OR35003470-11	34.70	3.50	NBR	SIB-2839
OR35003470-64	34.70	3.50	FKM	SIB-3103
OR45003470-64	34.70	4.50	FKM	SIB-3234
OR35303470-67	34.70	3.53	FKM	SIB-1791
OR16003490-08	34.90	1.60	NBR	SIB-273
OR18003490-08	34.90	1.80	NBR	SIB-948
OR31003440-08	34.90	3.10	NBR	SIB-207
OR31503490-10	34.90	3.15	NBR	SIB-2622
OR39603490-64	34.90	3.96	FKM	SIB-2638
OR15903492-64	34.92	1.59	FKM	SIB-1100
OR23803492-08	34.92	2.38	NBR	SIB-825
OR23803492-64	34.92	2.38	FKM	SIB-2544
OR23803492-59	34.92	2.38	PU	POA-510
OR31703492-08	34.92	3.17	NBR	SIB-1634
OR31703492-64	34.92	3.17	FKM	SIB-1154
OR31803492-D5	34.92	3.18	HNBR	SIB-3318
OR10003500-08	35.00	1.00	NBR	SIB-1198
OR10003500-43	35.00	1.00	VMQ	SIB-2592
OR15003500-D5	35.00	1.50	HNBR	SIB-1797
OR15003500-10	35.00	1.50	NBR	SIB-1839
OR15003500-64	35.00	1.50	FKM	SIB-1340
OR15003500-08	35.00	1.50	NBR	SIB-3046
OR17003500-08	35.00	1.70	NBR	SIB-1301
OR17003500-64	35.00	1.70	FKM	SIB-1017
OR17003500-43	35.00	1.70	VMQ	SIB-2975
OR17503500-64	35.00	1.75	FKM	SIB-1535

Bold sizes are readily available in stock.
Other material are available on request.

Part No.	d	c/s	Material	Mould No.
OR17803500-D5	35.00	1.78	HNBR	SIB-2364
OR18003500-08	35.00	1.80	NBR	SIB-2913
OR18503500-64	35.00	1.85	FKM	SIB-2155
OR19003500-08	35.00	1.90	NBR	SIB-1402
OR20003500-64	35.00	2.00	FKM	SIB-631
OR20003500-08	35.00	2.00	NBR	SIB-233
OR20003500-08	35.00	2.00	NBR	SIB-311
OR22003500-64	35.00	2.20	FKM	SIB-1867
OR22003500-08	35.00	2.20	NBR	SIB-2867
OR22503500-43	35.00	2.25	VMQ	SIB-1931
OR24003500-08	35.00	2.40	NBR	SIB-185
OR25003500-64	35.00	2.50	FKM	SIB-1673
OR25003500-08	35.00	2.50	NBR	SIB-437
OR25003500-43	35.00	2.50	VMQ	SIB-2854
OR26003500-11	35.00	2.60	NBR	SIB-144
OR26503500-66	35.00	2.65	FKM	SIB-2165
OR27003500-L5	35.00	2.70	PU	POA-117
OR27503500-08	35.00	2.75	NBR	SIB-1854
OR28003500-08	35.00	2.80	NBR	SIB-1877
OR30003500-L5	35.00	3.00	PU	POA-409
OR30003500-08	35.00	3.00	NBR	SIB-1102
OR30003500-08	35.00	3.00	NBR	SIB-773
OR30003500-64	35.00	3.00	FKM	SIB-1658
OR30003500-S8	35.00	3.00	NBR	SIB-1571
OR32003500-08	35.00	3.20	NBR	SIB-488
OR32503500-64	35.00	3.25	FKM	SIB-942
OR35003500-64	35.00	3.50	FKM	SIB-461
OR35003500-08	35.00	3.50	NBR	SIB-179
OR35003500-08	35.00	3.50	NBR	SIB-561
OR35003500-32	35.00	3.50	EPDM	SIB-2335
OR35003500-L5	35.00	3.50	PU	POA-112
OR35003500-D6	35.00	3.50	HNBR	SIB-2724
OR36203500-64	35.00	3.62	FKM	SIB-3255
OR37003500-08	35.00	3.70	NBR	SIB-758
OR37503500-64	35.00	3.75	FKM	SIB-2938
OR38003500-D6	35.00	3.80	HNBR	SIB-2559
OR40003500-08	35.00	4.00	NBR	SIB-196
OR40003500-08	35.00	4.00	NBR	SIB-828
OR40003500-08	35.00	4.00	NBR	SIB-148
OR40003500-43	35.00	4.00	VMQ	SIB-2639
OR43203500-08	35.00	4.32	NBR	SIB-2147
OR45003500-08	35.00	4.50	NBR	SIB-381
OR45003500-43	35.00	4.50	VMQ	SIB-128
OR46003500-D5	35.00	4.60	HNBR	SIB-3272
OR50003500-64	35.00	5.00	FKM	SIB-1291
OR50003500-08	35.00	5.00	NBR	SIB-269
OR53303500-08	35.00	5.33	NBR	SIB-2491
OR53303500-64	35.00	5.33	FKM	SIB-2478
OR55003500-64	35.00	5.50	FKM	SIB-2812
OR60003500-08	35.00	6.00	NBR	SIB-933
OR60003500-41	35.00	6.00	VMQ	SIB-2442
OR70003500-10	35.00	7.00	NBR	SIB-2874
OR75003500-08	35.00	7.50	NBR	SIB-3136
OR80003500-41	35.00	8.00	VMQ	SIC-867
OR80003500-32	35.00	8.00	EPDM	SIC-1749
OR10003500-20	35.00	10.00	CR	SIC-846
OR12003500-08	35.00	12.00	NBR	SIC-2385
OR15000035-08	35.00	15.00	NBR	SIC-1456
OR30235080-D5	35.08	3.02	HNBR	SIB-3109
OR16003510-08	35.10	1.60	NBR	SIB-2294
OR16003510-64	35.10	1.60	FKM	SIB-2631
OR24003520-64	35.20	2.40	FKM	SIB-2085
OR47503525-64	35.25	4.75	FKM	SIB-391
OR47503525-08	35.25	4.75	NBR	SIB-1999
OR30003530-66	35.30	3.00	FKM	SIB-2028
OR13503538-66	35.38	1.35	FKM	SIB-3112
OR15003540-08	35.40	1.50	NBR	SIB-721
OR32503540-08	35.40	3.25	NBR	SIB-2654
OR38003540-08	35.40	3.80	NBR	SIB-2836
OR40003540-66	35.40	4.00	FKM	SIB-1078
OR30903541-66	35.41	3.09	FKM	SIB-2533
OR10003550-08	35.50	1.00	NBR	SIB-2850
OR17503550-64	35.50	1.75	FKM	SIB-1692

Part No.	d	c/s	Material	Mould No.
OR24003550-08	35.50	2.40	NBR	SIB-352
OR20003550-64	35.50	2.00	FKM	SIB-2655
OR25003550-08	35.50	2.50	NBR	SIB-1110
OR26503550-08	35.50	2.65	NBR	SIB-1589
OR26503550-43	35.50	2.65	VMQ	SIB-2978
OR31003550-32	35.50	3.10	EPDM	SIB-1287
OR30003550-08	35.50	3.00	NBR	SIB-995
OR35003550-67	35.50	3.50	FKM	SIB-2627
OR35003550-R1	35.50	3.50	FVMQ	SIB-2795
OR35503550-64	35.50	3.55	FKM	SIB-1254
OR20003560-10	35.60	2.00	NBR	SIB-2072
OR36003560-J3	35.60	3.60	NBR	SIB-365
OR36003560-08	35.60	3.60	NBR	SIB-574
OR35003570-64	35.70	3.50	FKM	SIB-1253
OR35003570-08	35.70	3.50	NBR	SIB-776
OR26203576-08	35.76	2.62	NBR	SIB-879
OR26203576-08	35.76	2.62	NBR	SIB-1754
OR20003580-08	35.80	2.00	NBR	SIB-754
OR22003580-64	35.80	2.20	FKM	SIB-2529
OR22603584-08	35.84	2.26	NBR	SIB-2765
OR38303586-64	35.86	3.83	FKM	SIB-2857
OR37703592-08	35.92	3.77	NBR	SIB-2770
OR03773592-64	35.92	3.77	FKM	SIB-1757
OR10003600-11	36.00	1.00	NBR	SIB-1166
OR15003600-08	36.00	1.50	NBR	SIB-1656
OR15003600-08	36.00	1.50	NBR	SIB-1370
OR15003600-64	36.00	1.50	FKM	SIB-1985
OR16803600-08	36.00	1.68	NBR	SIB-110
OR18003600-T5	36.00	1.80	EPDM	SIB-2747
OR20003600-59	36.00	2.00	PU	POA-411
OR20003600-64	36.00	2.00	FKM	SIB-1221
OR20003600-08	36.00	2.00	NBR	SIB-699
OR20003600-32	36.00	2.00	EPDM	SIB-2996
OR22103600-64	36.00	2.21	FKM	SIB-1427
OR24003600-64	36.00	2.40	FKM	SIB-1459
OR25003600-08	36.00	2.50	NBR	SIB-489
OR25003600-64	36.00	2.50	FKM	SIB-2181
OR25003600-66	36.00	2.50	FKM	SIB-1344
OR25003600-T5	36.00	2.50	EPDM	SIB-2463
OR25003600-L5	36.00	2.50	PU	POA-498
OR26003600-08	36.00	2.60	NBR	SIB-2468
OR28003600-08	36.00	2.80	NBR	SIB-2205
OR30003600-59	36.00	3.00	PU	POA-412
OR30003600-64	36.00	3.00	FKM	SIB-1183
OR30003600-64	36.00	3.00	FKM	SIB-863
OR30003600-08	36.00	3.00	NBR	SIB-524
OR32203600-08	36.00	3.22	NBR	SIB-1128
OR35003600-08	36.00	3.50	NBR	SIB-470
OR35003600-08	36.00	3.50	NBR	SIB-393
OR35003600-64	36.00	3.50	FKM	SIB-2316
OR35003600-L5	36.00	3.50	PU	POA-505
OR36003600-67	36.00	3.60	FKM	SIB-2917
OR40003600-64	36.00	4.00	FKM	SIB-468
OR40003600-08	36.00	4.00	NBR	SIB-266
OR40003600-06	36.00	4.00	NBR	SIB-2430
OR45003600-08	36.00	4.50	NBR	SIB-1118
OR45003600-66	36.00	4.50	FKM	SIB-2031
OR50003600-08	36.00	5.00	NBR	SIB-777
OR50003600-L5	36.00	5.00	PU	POA-451
OR50003600-64	36.00	5.00	FKM	SIB-2579
OR50003600-08	36.00	5.00	NBR	SIB-2871
OR55003600-08	36.00	5.50	NBR	SIB-1709
OR60003600-64	36.00	6.00	FKM	SIB-1125
OR60003600-08	36.00	6.00	NBR	SIB-671
OR70003600-08	36.00	7.00	NBR	SIB-3251
OR75003600-08	36.00	7.50	NBR	SIC-2257
OR80003600-08	36.00	8.00	NBR	SIC-1309
OR90003600-08	36.00	9.00	NBR	SIC-1253
OR35303609-08	36.09	3.53	NBR	SIB-284
OR35303609-64	36.09	3.53	FKM	SIB-1613
OR35303609-D5	36.09	3.53	HNBR	SIB-3216
OR19003610-08	36.10	1.90	NBR	SIB-2330
OR26203612-D6	36.12	2.62	HNBR	SIB-1387

Bold sizes are readily available in stock.
 Other material are available on request.

Part No.	d	c/s	Material	Mould No.
OR27003614-03	36.14	2.70	NBR	SIB-3226
OR26203617-08	36.17	2.62	NBR	SIB-1016
OR26203617-64	36.17	2.62	FKM	SIB-2129
OR26203617-64	36.17	2.62	FKM	SIB-896
OR26203617-11	36.17	2.62	NBR	SIB-3161
OR26203617-D5	36.17	2.62	HNBR	SIB-3124
OR30003620-08	36.20	3.00	NBR	SIB-1142
OR30003620-32	36.20	3.00	EPDM	SIB-2486
OR17803627-43	36.27	1.78	VMQ	SIB-1995
OR17803627-08	36.27	1.78	NBR	SIB-510
OR17803627-T5	36.27	1.78	EPDM	SIB-2465
OR24003630-08	36.30	2.40	NBR	SIB-2726
OR35303630-67	36.30	3.53	FKM	SIB-3166
OR44003630-08	36.30	4.40	NBR	SIB-257
OR46003630-08	36.30	4.60	NBR	SIB-962
OR23303632-08	36.32	2.33	NBR	SIB-1196
OR68003640-08	36.40	6.80	NBR	SIB-1575
OR10003650-08	36.50	1.00	NBR	SIB-3105
OR17803650-L5	36.50	1.78	PU	POA-477
OR19403650-08	36.50	1.94	NBR	SIB-1887
OR20003650-08	36.50	2.00	NBR	SIB-791
OR20003650-64	36.50	2.00	FKM	SIB-3273
OR25003650-08	36.50	2.50	NBR	SIB-320
OR25003650-32	36.50	2.50	EPDM	SIB-3085
OR26003650-08	36.50	2.60	NBR	SIB-1152
OR26503650-64	36.50	2.65	FKM	SIB-838
OR30003650-65	36.50	3.00	FKM	SIB-1432
OR30003650-08	36.50	3.00	NBR	SIB-737
OR30003650-32	36.50	3.00	EPDM	SIB-2531
OR30003650-64	36.50	3.00	FKM	SIB-3073
OR31803650-43	36.50	3.18	VMQ	SIB-2370
OR35003650-08	36.50	3.50	NBR	SIB-418
OR35303650-R3	36.50	3.53	PU	POA-393
OR35503650-08	36.50	3.55	NBR	SIB-1771
OR37503650-08	36.50	3.75	NBR	SIB-634
OR53003650-08	36.50	5.30	NBR	SIB-2948
OR65003650-10	36.50	6.50	NBR	SIB-2697
OR31703651-08	36.51	3.17	NBR	SIB-747
OR47703651-08	36.51	4.77	NBR	SIB-3280
OR31703652-64	36.52	3.17	FKM	SIB-3119
OR15103659-64	36.59	1.51	FKM	SIB-1992
OR15103660-08	36.60	1.51	NBR	SIB-2766
OR37003660-64	36.60	3.70	FKM	SIB-2600
OR26203670-08	36.70	2.62	NBR	SIB-1751
OR33003670-67	36.70	3.30	FKM	SIB-2095
OR40003670-08	36.70	4.00	NBR	SIB-1302
OR04534581-64	36.75	4.53	FKM	SIB-1758
OR45303675-08	36.75	4.53	NBR	SIB-2764
OR22003680-64	36.80	2.20	FKM	SIB-2530
OR24003680-08	36.80	2.40	NBR	SIB-2163
OR31503680-64	36.80	3.15	FKM	SIB-1259
OR10003700-34	37.00	1.00	EPDM	SIB-103
OR10003700-08	37.00	1.00	NBR	SIB-3287
OR15003700-64	37.00	1.50	FKM	SIB-655
OR15003700-08	37.00	1.50	NBR	SIB-2003
OR17003700-64	37.00	1.70	FKM	SIB-3087
OR18003700-08	37.00	1.80	NBR	SIB-1748
OR18003700-64	37.00	1.80	FKM	SIB-1828
OR20003700-08	37.00	2.00	NBR	SIB-1266
OR20003700-64	37.00	2.00	FKM	SIB-1439
OR23003700-67	37.00	2.30	FKM	SIB-1626
OR25003700-08	37.00	2.50	NBR	SIB-323
OR25003700-64	37.00	2.50	FKM	SIB-1822
OR26003700-D5	37.00	2.60	HNBR	SIB-2610
OR27003700-10	37.00	2.70	NBR	SIB-3177
OR30003700-66	37.00	3.00	FKM	SIB-2233
OR30003700-87	37.00	3.00	PU	POA-223
OR30003700-08	37.00	3.00	NBR	SIB-133
OR30003700-08	37.00	3.00	NBR	SIB-1846
OR30003700-D5	37.00	3.00	HNBR	SIB-2630
OR31003700-10	37.00	3.10	NBR	SIB-1281
OR32003700-08	37.00	3.20	NBR	SIB-1529
OR30003700-V2	37.00	3.00	NBR	SIB-2642

Part No.	d	c/s	Material	Mould No.
OR35003700-08	37.00	3.50	NBR	SIB-155
OR35003700-64	37.00	3.50	FKM	SIB-2120
OR35003700-08	37.00	3.50	NBR	SIB-2984
OR35303700-08	37.00	3.53	NBR	SIB-448
OR35303700-32	37.00	3.53	EPDM	SIB-1787
OR40003700-08	37.00	4.00	NBR	SIB-211
OR40003700-64	37.00	4.00	FKM	SIB-1470
OR42003700-64	37.00	4.20	FKM	SIB-1910
OR45003700-64	37.00	4.50	FKM	SIB-1921
OR47003700-08	37.00	4.70	NBR	SIB-2304
OR47003700-D6	37.00	4.70	HNBR	SIB-3207
OR50003700-08	37.00	5.00	NBR	SIB-681
OR5003700-64	37.00	5.00	FKM	SIB-2623
OR52003700-08	37.00	5.20	NBR	SIB-1463
OR52003700-08	37.00	5.20	NBR	SIB-2591
OR55003700-08	37.00	5.50	NBR	SIB-1483
OR60003700-08	37.00	6.00	NBR	SIB-2250
OR60003700-43	37.00	6.00	VMQ	SIB-2053
OR80003700-08	37.00	8.00	NBR	SIC-965
OR10003700-08	37.00	10.00	NBR	SIC-467
OR16003710-08	37.10	1.60	NBR	SIB-2727
OR45003710-08	37.10	4.50	NBR	SIB-278
OR11603710-08	37.10	11.60	NBR	SIC-2034
OR37303714-64	37.14	3.73	FKM	SIB-1342
OR46503717-64	37.17	4.65	FKM	SIB-1519
OR34003720-08	37.20	3.40	NBR	SIB-1830
OR40003720-10	37.20	4.00	NBR	SIB-1414
OR21003730-64	37.30	2.10	FKM	SIB-2957
OR32003730-08	37.30	3.20	NBR	SIB-1052
OR36003730-08	37.30	3.60	NBR	SIB-1815
OR39003730-08	37.30	3.90	NBR	SIB-1891
OR35603733-06	37.33	3.56	NBR	SIB-3017
OR20003740-64	37.40	2.00	FKM	SIB-2247
OR33003740-08	37.40	3.30	NBR	SIB-2021
OR35003740-08	37.40	3.50	NBR	SIB-206
OR22703742-08	37.42	2.27	NBR	SIB-2541
OR54503745-08	37.45	5.45	NBR	SIB-2269
OR29903746-64	37.46	2.99	NBR	SIB-2634
OR30003746-11	37.46	3.00	NBR	SIB-2255
OR30003746-08	37.46	3.00	NBR	SIB-1772
OR30003746-10	37.46	3.00	NBR	SIB-3061
OR47603746-64	37.46	4.76	FKM	SIB-2967
OR53303746-64	37.46	5.33	FKM	SIB-1163
OR30003747-32	37.47	3.00	EPDM	SIB-1314
OR30003747-66	37.47	3.00	FKM	SIB-603
OR53303747-08	37.47	5.33	NBR	SIB-388
OR53303747-L3	37.47	5.33	AFLAS	SIB-2649
OR53303747-30	37.47	5.33	EPDM	SIB-3075
OR19003750-08	37.50	1.90	NBR	SIB-2906
OR20003750-08	37.50	2.00	NBR	SIB-166
OR20003750-08	37.50	2.00	NBR	SIB-566
OR24003750-64	37.50	2.40	FKM	SIB-1494
OR25003750-08	37.50	2.50	NBR	SIB-771
OR28003750-08	37.50	2.80	NBR	SIB-2117
OR30003750-08	37.50	3.00	NBR	SIB-1290
OR30003750-08	37.50	3.00	NBR	SIB-1638
OR31503750-08	37.50	3.15	NBR	SIB-1804
OR32503750-08	37.50	3.25	NBR	SIB-2956
OR35003750-64	37.50	3.50	FKM	SIB-1453
OR35503750-08	37.50	3.55	NBR	SIB-1765
OR40003750-11	37.50	4.00	NBR	SIB-959
OR40003750-34	37.50	4.00	EPDM	SIB-2855
OR45003750-08	37.50	4.50	NBR	SIB-109
OR50003750-T5	37.50	5.00	EPDM	SIB-3289
OR57003750-08	37.50	5.70	NBR	SIB-1593
OR60003750-08	37.50	6.00	NBR	SIB-3205
OR89003755-10	37.55	8.90	NBR	SIC-757
OR39003757-08	37.57	3.90	NBR	SIB-1892
OR39603796-D6	37.59	3.96	HNBR	SIB-2988
OR15003760-08	37.60	1.50	NBR	SIB-2241
OR16003760-08	37.60	1.60	NBR	SIB-619
OR20003760-L5	37.60	2.00	PU	POA-366
OR24003760-08	37.60	2.40	NBR	SIB-3187

Bold sizes are readily available in stock.
Other material are available on request.

Part No.	d	c/s	Material	Mould No.
OR35003760-66	37.60	3.50	FKM	SIB-2986
OR36003760-11	37.60	3.60	NBR	SIB-1117
OR50003760-08	37.60	5.00	NBR	SIB-2050
OR60003760-67	37.60	6.00	FKM	SIB-2645
OR23803762-08	37.62	2.38	NBR	SIB-1686
OR35303769-T5	37.69	3.53	EPDM	SIB-2197
OR35303769-08	37.69	3.53	NBR	SIB-1201
OR35303769-64	37.69	3.53	FKM	SIB-1267
OR35303769-66	37.69	3.53	FKM	SIB-1901
OR35303769-D6	37.69	3.53	HNBR	SIB-1385
OR35303769-11	37.69	3.53	NBR	SIB-1883
OR35303769-11	37.69	3.53	NBR	SIB-2103
OR35303769-08	37.69	3.53	NBR	SIB-774
OR35303769-67	37.69	3.53	FKM	SIB-1792
OR35303769-11	37.69	3.53	NBR	SIB-2396
OR20003770-34	37.70	2.00	EPDM	SIB-1556
OR35003770-08	37.70	3.50	NBR	SIB-483
OR37003770-08	37.70	3.70	NBR	SIB-285
OR39003770-08	37.70	3.90	NBR	SIB-1890
OR45003770-08	37.70	4.50	NBR	SIB-627
OR47003770-87	37.70	4.70	PU	POA-489
OR24003777-R1	37.77	2.40	FVMQ	SIB-2457
OR26203777-L5	37.77	2.62	PU	POA-421
OR26203777-64	37.77	2.62	FKM	SIB-1899
OR26203777-43	37.77	2.62	VMQ	SIB-1380
OR26203777-64	37.77	2.62	FKM	SIB-1924
OR26203777-64	37.77	2.62	FKM	SIB-1330
OR26203777-08	37.77	2.62	NBR	SIB-852
OR26203716-32	37.77	2.62	EPDM	SIB-1789
OR32003780-08	37.80	3.20	NBR	SIB-2489
OR52003780-R3	37.80	5.20	PU	POA-367
OR90003780-08	37.80	9.00	NBR	SIC-386
OR17803782-89	37.82	1.78	PU	POA-350
OR17803782-64	37.82	1.78	FKM	SIB-1135
OR17803782-08	37.82	1.78	HNBR	SIB-2011
OR17803782-08	37.82	1.78	NBR	SIB-803
OR17803782-10	37.82	1.78	NBR	SIB-3162
OR10003800-08	38.00	1.00	NBR	SIB-2110
OR10003800-64	38.00	1.00	FKM	SIB-2593
OR10003800-43	38.00	1.00	VMQ	SIB-3326
OR12003800-08	38.00	1.20	NBR	SIB-406
OR12003800-32	38.00	1.20	EPDM	SIB-3247
OR13003800-08	38.00	1.30	NBR	SIB-1162
OR15003800-64	38.00	1.50	FKM	SIB-1306
OR15003800-08	38.00	1.50	NBR	SIB-1922
OR15003800-43	38.00	1.50	VMQ	SIB-1114
OR15003800-64	38.00	1.50	FKM	SIB-2107
OR15003800-S8	38.00	1.50	NBR	SIB-2567
OR30003800-08	38.00	3.00	NBR	SIB-1875
OR16003800-64	38.00	1.60	FKM	SIB-2940
OR20003800-08	38.00	2.00	NBR	SIB-686
OR20003800-64	38.00	2.00	FKM	SIB-1308
OR20003800-L5	38.00	2.00	PU	POA-450
OR20003800-43	38.00	2.00	VMQ	SIB-2425
OR20003800-32	38.00	2.00	EPDM	SIB-2997
OR22003800-08	38.00	2.20	NBR	SIB-1283
OR24003800-64	38.00	2.40	FKM	SIB-900
OR24003800-08	38.00	2.40	NBR	SIB-1500
OR25003800-S8	38.00	2.5	NBR	SIB-1572
OR25003800-08	38.00	2.50	NBR	SIB-479
OR25003800-64	38.00	2.50	FKM	SIB-335
OR25003800-11	38.00	2.50	NBR	SIB-2418
OR26203800-87	38.00	2.62	PU	POA-397
OR26203800-08	38.00	2.62	NBR	SIB-1936
OR28003800-D5	38.00	2.80	HNBR	SIB-2406
OR30003800-32	38.00	3.00	EPDM	SIB-2292
OR30003800-08	38.00	3.00	NBR	SIB-138
OR30003800-64	38.00	3.00	FKM	SIB-1077
OR30003800-89	38.00	3.00	PU	POA-535
OR32003800-11	38.00	3.20	NBR	SIB-2589
OR32503800-08	38.00	3.25	NBR	SIB-1929
OR32503800-64	38.00	3.25	FKM	SIB-1697
OR33003800-08	38.00	3.30	NBR	SIB-1949

Part No.	d	c/s	Material	Mould No.
OR35003800-64	38.00	3.50	FKM	SIB-134
OR35003800-08	38.00	3.50	NBR	SIB-315
OR35003800-08	38.00	3.50	NBR	SIB-1101
OR35003800-06	38.00	3.50	NBR	SIB-3099
OR35303800-32	38.00	3.53	EPDM	SIB-1750
OR36203800-64	38.00	3.62	FKM	SIB-3254
OR37003800-08	38.00	3.70	NBR	SIB-2057
OR40003800-L5	38.00	4.00	PU	POA-282
OR40003800-64	38.00	4.00	FKM	SIB-1592
OR40003800-08	38.00	4.00	NBR	SIB-247
OR40003800-64	38.00	4.00	FKM	SIB-3071
OR45003800-08	38.00	4.50	NBR	SIB-360
OR50003800-64	38.00	5.00	FKM	SIB-1315
OR50003800-08	38.00	5.00	NBR	SIB-208
OR50003800-43	38.00	5.00	VMQ	SIC-971
OR50003800-32	38.00	5.00	EPDM	SIB-3245
OR52003800-08	38.00	5.20	NBR	SIB-3020
OR52003800-64	38.00	5.20	FKM	SIB-2863
OR55003800-08	38.00	5.50	NBR	SIB-1888
OR55003800-08	38.00	5.50	NBR	SIB-749
OR55003800-43	38.00	5.50	VMQ	SIB-2789
OR57003800-08	38.00	5.70	NBR	SIB-2806
OR57003800-64	38.00	5.70	FKM	SIB-2903
OR60003800-T9	38.00	6.00	FKM	SIB-2297
OR60003800-08	38.00	6.00	NBR	SIB-3356
OR60003800-D6	38.00	6.00	HNBR	SIB-3196
OR65003800-08	38.00	6.50	NBR	SIC-1351
OR77003800-08	38.00	7.70	NBR	SIC-501
OR80003800-66	38.00	8.00	FKM	SIC-802
OR80003800-41	38.00	8.00	VMQ	SIC-868
OR80003800-08	38.00	8.00	NBR	SIC-1778
OR10003800-08	38.00	10.00	NBR	SIC-1413
OR12003800-08	38.00	12.00	NBR	SIC-1028
OR31703810-46	38.10	3.17	VMQ	SIB-2576
OR31803810-87	38.10	3.18	PU	POA-240
OR32003810-08	38.10	3.20	NBR	SIB-240
OR32003810-20	38.10	3.20	CR	SIB-502
OR35303810-11	38.10	3.53	NBR	SIB-2262
OR38003810-08	38.10	3.80	NBR	SIB-426
OR39603810-08	38.10	3.96	NBR	SIB-2106
OR40003810-08	38.10	4.00	NBR	SIB-423
OR47603810-64	38.10	4.76	FKM	SIB-2217
OR47603810-08	38.10	4.76	NBR	SIB-1635
OR63503810-08	38.10	6.35	NBR	SIC-1437
OR12703810-10	38.10	12.70	NBR	SIC-1922
OR15103817-64	38.17	1.51	FKM	SIB-2675
OR15103818-64	38.18	1.51	FKM	SIB-1734
OR30003820-64	38.20	3.00	FKM	SIB-1980
OR30003820-08	38.20	3.00	NBR	SIB-2647
OR26203834-08	38.34	2.62	NBR	SIB-925
OR13003840-20	38.40	1.30	CR	SIB-2483
OR29003840-10	38.40	2.90	NBR	SIB-2075
OR30003840-08	38.40	3.00	NBR	SIB-3018
OR40003840-D6	38.40	4.00	HNBR	SIB-3078
OR60303842-08	38.42	6.03	FKM	SIC-1339
OR15003850-08	38.50	1.50	NBR	SIB-301
OR18003850-08	38.50	1.80	NBR	SIB-3227
OR18503850-08	38.50	1.85	NBR	SIB-2017
OR20003850-08	38.50	2.00	NBR	SIB-1706
OR25003850-66	38.50	2.50	FKM	SIB-2150
OR25003850-08	38.50	2.50	NBR	SIB-3286
OR30003850-64	38.50	3.00	FKM	SIB-2225
OR30003850-L5	38.50	3.00	PU	POA-482
OR35003850-10	38.50	3.50	NBR	SIB-1756
OR35503850-64	38.50	3.55	FKM	SIB-3172
OR37003850-08	38.50	3.70	NBR	SIB-123
OR50003850-67	38.50	5.00	FKM	SIB-2044
OR21803856-66	38.56	2.18	FKM	SIB-1074
OR17003860-64	38.60	1.70	FKM	SIB-1366
OR29003860-66	38.60	2.90	FKM	SIB-1005
OR35003860-O4	38.60	3.50	FKM	SIB-2258
OR35303860-43	38.60	3.53	VMQ	SIB-2750
OR57503860-08	38.60	5.75	NBR	SIB-644

Bold sizes are readily available in stock.
 Other material are available on request.

Part No.	d	c/s	Material	Mould No.
OR23803862-64	38.62	2.38	FKM	SIB-2202
OR26503870-08	38.70	2.65	NBR	SIB-1268
OR26503870-D5	38.70	2.65	HNBR	SIB-2549
OR30003870-08	38.70	3.00	NBR	SIB-678
OR35002870-08	38.70	3.50	NBR	SIB-810
OR35503870-08	38.70	3.55	NBR	SIB-1766
OR37503875-08	38.75	3.75	NBR	SIB-3284
OR26203876-08	38.76	2.62	NBR	SIB-1842
OR30003880-58	38.80	3.00	FVMQ	SIB-3072
OR31003880-64	38.80	3.10	FKM	SIB-1338
OR47003880-08	38.80	4.70	NBR	SIB-2680
OR52203880-L5	38.80	5.22	PU	POA-485
OR10003900-08	39.00	1.00	NBR	SIB-2038
OR10003900-43	39.00	1.00	VMQ	SIB-3337
OR13003900-64	39.00	1.30	FKM	SIB-2302
OR13003900-43	39.00	1.30	VMQ	SIB-2512
OR14003900-64	39.00	1.40	FKM	SIB-1719
OR15003900-08	39.00	1.50	NBR	SIB-1838
OR15003900-43	39.00	1.50	VMQ	SIB-2661
OR17503900-20	39.00	1.75	CR	SIC-1344
OR17803900-43	39.00	1.78	VMQ	SIB-3081
OR17803900-64	39.00	1.78	FKM	SIB-2980
OR20003900-08	39.00	2.00	NBR	SIB-637
OR20003900-64	39.00	2.00	FKM	SIB-1271
OR22003900-11	39.00	2.20	NBR	SIB-2436
OR23003900-08	39.00	2.30	NBR	SIB-1184
OR23003900-64	39.00	2.30	FKM	SIB-937
OR25003900-64	39.00	2.50	FKM	SIB-1429
OR25003900-08	39.00	2.50	NBR	SIB-867
OR26003900-08	39.00	2.60	NBR	SIB-740
OR27503900-64	39.00	2.75	FKM	SIB-2224
OR28003900-08	39.00	2.80	NBR	SIB-2195
OR30003900-L5	39.00	3.00	PU	POA-386
OR30003900-64	39.00	3.00	FKM	SIB-1069
OR30003900-08	39.00	3.00	NBR	SIB-500
OR30003900-R1	39.00	3.00	FVMQ	SIB-2964
OR30003900-T9	39.00	3.00	FKM	SIB-2950
OR31003900-08	39.00	3.10	NBR	SIB-1713
OR31703900-08	39.00	3.17	NBR	SIB-1555
OR32003900-08	39.00	3.20	NBR	SIB-891
OR35003900-64	39.00	3.50	FKM	SIB-2182
OR35003900-08	39.00	3.50	NBR	SIB-499
OR35003900-43	39.00	3.50	VMQ	SIB-2439
OR37003900-64	39.00	3.70	FKM	SIB-2817
OR40003900-64	39.00	4.00	FKM	SIB-2344
OR40003900-08	39.00	4.00	NBR	SIB-425
OR40003900-L5	39.00	4.00	PU	POA-449
OR45003900-64	39.00	4.50	FKM	SIB-2411
OR45003900-64	39.00	4.50	FKM	SIB-3042
OR50003900-08	39.00	5.00	NBR	SIB-594
OR50003900-43	39.00	5.00	VMQ	SIB-2931
OR50003900-08	39.00	5.00	NBR	SIB-679
OR60003900-08	39.00	6.00	NBR	SIC-1432
OR65003900-64	39.00	6.50	FKM	SIC-1918
OR80003900-08	39.00	8.00	NBR	SIC-389
OR10003900-08	39.00	10.00	NBR	SIC-1794
OR12003900-08	39.00	12.00	NBR	SIC-456
OR22703902-08	39.02	2.27	NBR	SIB-3317
OR38139060-08	39.06	3.81	NBR	SIB-2960
OR93403908-08	39.08	9.34	NBR	SIB-1203
OR37703909-08	39.09	3.77	HNBR	SIB-2001
OR37703909-D5	39.09	3.77	HNBR	SIB-3108
OR20003910-67	39.10	2.00	FKM	SIB-2227
OR58003910-08	39.10	5.80	NBR	SIC-617
OR41003917-64	39.17	4.10	FKM	SIB-1565
OR30003920-L3	39.20	3.00	AFLAS	SIB-2875
OR35303920-43	39.20	3.53	VMQ	SIB-1532
OR57003920-08	39.20	5.70	NBR	SIC-398
OR22839310-D5	39.31	2.28	HNBR	SIB-3239
OR26203934-L5	39.34	2.62	PU	POA-333
OR26203934-45	39.34	2.62	VMQ	SIB-1214
OR26203934-64	39.34	2.62	FKM	SIB-1056
OR26203934-64	39.34	2.62	FKM	SIB-1322

Part No.	d	c/s	Material	Mould No.
OR26203934-08	39.34	2.62	NBR	SIB-800
OR28003934-05	39.34	2.80	NBR	SIB-2945
OR35303934-08	39.34	3.53	NBR	SIB-1707
OR18003940-43	39.40	1.80	VMQ	SIB-1222
OR31003940-64	39.40	3.10	FKM	SIB-1031
OR31003940-11	39.40	3.10	NBR	SIB-1095
OR31003940-59	39.40	3.10	PU	POA-523
OR31703940-10	39.40	3.17	NBR	SIB-1360
OR17803945-64	39.45	1.78	FKM	SIB-1693
OR17803945-08	39.45	1.78	NBR	SIB-730
OR15003950-64	39.50	1.50	FKM	SIB-1974
OR18003950-89	39.50	1.80	PU	POA-493
OR20003950-08	39.50	2.00	NBR	SIB-1438
OR25003950-64	39.50	2.50	FKM	SIB-1275
OR25003950-64	39.50	2.50	FKM	SIB-1587
OR28003950-08	39.50	2.80	NBR	SIB-855
OR30003950-64	39.50	3.00	FKM	SIB-2183
OR30003950-37	39.50	3.00	VMQ	SIB-1363
OR30003950-08	39.50	3.00	NBR	SIB-606
OR30003950-R1	39.50	3.00	FVMQ	SIB-2626
OR30003950-20	39.50	3.00	CR	SIB-3133
OR35003950-41	39.50	3.50	VMQ	SIB-3213
OR50003950-08	39.50	5.00	NBR	SIB-209
OR50003950-41	39.50	5.00	VMQ	SIB-1661
OR55003950-T9	39.50	5.50	FKM	SIC-2151
OR65003950-U4	39.50	6.50	EPDM	SIC-1407
OR10003950-67	39.50	10.00	FKM	SIC-2277
OR35003958-08	39.58	3.50	NBR	SIB-1965
OR24003960-08	39.60	2.40	NBR	SIB-1324
OR53003960-20	39.60	5.30	CR	SIC-1858
OR93903967-D6	39.67	9.39	HNBR	SIC-1706
OR16003970-08	39.70	1.60	NBR	SIB-1657
OR20003970-08	39.70	2.00	NBR	SIB-841
OR26003970-08	39.70	2.60	NBR	SIB-361
OR35003970-T5	39.70	3.50	EPDM	SIB-1833
OR35003970-68	39.70	3.50	FKM	SIB-3097
OR35303970-43	39.70	3.53	VMQ	SIB-2374
OR35303970-08	39.70	3.53	NBR	SIB-575
OR40003970-08	39.70	4.00	NBR	SIB-186
OR60003970-08	39.70	6.00	NBR	SIC-104
OR15003975-D5	39.75	1.50	HNBR	SIB-2325
OR15303975-C1	39.75	1.53	XNBR	SIB-2898
OR19503976-64	39.76	1.95	FKM	SIB-1358
OR15103977-64	39.77	1.51	FKM	SIB-2571
OR26003980-L5	39.80	2.60	PU	POA-441
OR48003980-T2	39.80	4.80	VMQ	SIB-2885
OR16603984-08	39.84	1.66	NBR	SIB-2300
OR13003990-64	39.90	1.30	FKM	SIB-3115
OR35303992-67	39.92	3.53	FKM	SIB-864
OR10004000-D5	40.00	1.00	HNBR	SIB-2384
OR10004000-08	40.00	1.00	NBR	SIB-850
OR12004000-64	40.00	1.20	FKM	SIB-1720
OR12004000-08	40.00	1.20	NBR	SIB-2525
OR13004000-08	40.00	1.30	NBR	SIB-2858
OR13504000-08	40.00	1.35	NBR	SIB-2859
OR14004000-08	40.00	1.40	NBR	SIB-2860
OR15004000-08	40.00	1.50	NBR	SIB-1894
OR15004000-64	40.00	1.50	FKM	SIB-1528
OR15004000-41	40.00	1.50	VMQ	SIB-2026
OR35005300-L5	40.00	1.50	PU	POA-481
OR16004000-62	40.00	1.60	FKM	SIB-2490
OR18004000-32	40.00	1.80	EPDM	SIB-2387
OR20004000-08	40.00	2.00	NBR	SIB-347
OR20004000-64	40.00	2.00	FKM	SIB-348
OR20004000-67	40.00	2.00	FKM	SIB-514
OR20004000-64	40.00	2.00	FKM	SIB-2652
OR22004000-08	40.00	2.20	NBR	SIB-2327
OR23004000-08	40.00	2.30	NBR	SIB-2173
OR25004000-08	40.00	2.50	NBR	SIB-189
OR25004000-64	40.00	2.50	FKM	SIB-421
OR25004000-64	40.00	2.50	FKM	SIB-1648
OR25004000-08	40.00	2.50	NBR	SIB-743
OR25004000-S4	40.00	2.50	HNBR	SIB-3145

Bold sizes are readily available in stock.
Other material are available on request.

Part No.	d	c/s	Material	Mould No.
OR26004000-08	40.00	2.60	NBR	SIB-1530
OR26004000-64	40.00	2.60	FKM	SIB-1247
OR27004000-08	40.00	2.70	NBR	SIB-1498
OR28504000-T2	40.00	2.85	VMQ	SIB-3101
OR30004000-L5	40.00	3.00	PU	POA-384
OR30004000-08	40.00	3.00	NBR	SIB-1199
OR30004000-08	40.00	3.00	NBR	SIB-188
OR30004000-67	40.00	3.00	FKM	SIB-260
OR30004000-R1	40.00	3.00	VMQ	SIB-2925
OR30004000-64	40.00	3.00	FKM	SIB-3302
OR31504000-10	40.00	3.15	NBR	SIB-2926
OR31504000-64	40.00	3.15	FKM	SIB-2848
OR32004000-66	40.00	3.20	FKM	SIB-1327
OR32504000-08	40.00	3.25	NBR	SIB-2527
OR33504000-T9	40.00	3.35	FKM	SIB-2459
OR35004000-64	40.00	3.50	FKM	SIB-1131
OR35004000-08	40.00	3.50	NBR	SIB-1621
OR35004000-08	40.00	3.50	NBR	SIB-573
OR35004000-64	40.00	3.50	FKM	SIB-1248
OR35004000-67	40.00	3.50	FKM	SIB-1991
OR35004000-T4	40.00	3.50	EPDM	SIB-2006
OR35004000-R1	40.00	3.50	FVMQ	SIB-3180
OR35504000-67	40.00	3.55	FKM	SIB-3129
OR37004000-08	40.00	3.70	NBR	SIB-2238
OR38004000-08	40.00	3.80	NBR	SIB-1156
OR38504000-66	40.00	3.85	FKM	SIB-3199
OR40004000-64	40.00	4.00	FKM	SIB-1240
OR40004000-08	40.00	4.00	NBR	SIB-760
OR43004000-64	40.00	4.30	FKM	SIB-3149
OR45004000-08	40.00	4.50	NBR	SIB-682
OR45004000-32	40.00	4.50	EPDM	SIB-2420
OR45004000-64	40.00	4.50	FKM	SIB-3014
OR47004000-08	40.00	4.70	NBR	SIB-2669
OR47004000-64	40.00	4.70	FKM	SIB-2116
OR48004000-08	40.00	4.80	NBR	SIB-2047
OR50004000-L5	40.00	5.00	PU	POA-391
OR50004000-64	40.00	5.00	FKM	SIB-1284
OR50004000-08	40.00	5.00	NBR	SIB-316
OR50004000-08	40.00	5.00	NBR	SIB-506
OR50004000-08	40.00	5.00	NBR	SIB-1806
OR50004000-T5	40.00	5.00	EPDM	SIB-2778
OR53004000-64	40.00	5.30	FKM	SIC-916
OR53004000-08	40.00	5.30	NBR	SIC-337
OR55004000-08	40.00	5.50	NBR	SIC-275
OR55004000-43	40.00	5.50	VMQ	SIC-1316
OR60004000-08	40.00	6.00	NBR	SIC-329
OR60004000-43	40.00	6.00	VMQ	SIC-1687
OR63004000-08	40.00	6.30	NBR	SIC-113
OR65004000-08	40.00	6.50	NBR	SIC-824
OR70004000-08	40.00	7.00	NBR	SIC-1095
OR90004000-04	40.00	9.00	NBR	SIC-2136
OR11004000-08	40.00	11.00	NBR	SIC-822
OR12004000-08	40.00	12.00	NBR	SIC-1031
OR17704010-08	40.10	1.77	NBR	SIB-926
OR35304010-08	40.10	3.53	NBR	SIB-2983
OR35304016-67	40.16	3.53	FKM	SIB-1996
OR24504020-08	40.20	2.45	NBR	SIB-2389
OR25004020-08	40.20	2.50	NBR	SIB-1623
OR30004020-08	40.20	3.00	NBR	SIB-1143
OR32504020-08	40.20	3.25	NBR	SIB-2079
OR26304024-10	40.24	2.63	NBR	SIB-3299
OR35004030-64	40.30	3.50	FKM	SIB-1649
OR35004030-64	40.30	3.50	FKM	SIB-1548
OR35004030-08	40.30	3.50	NBR	SIB-1963
OR30004040-08	40.40	3.00	NBR	SIB-2091
OR35004040-L5	40.40	3.50	PU	POA-490
OR20004045-64	40.45	2.00	FKM	SIB-2027
OR23904048-08	40.48	2.39	NBR	SIB-3285
OR10004050-08	40.50	1.00	NBR	SIB-3198
OR15004050-08	40.50	1.50	NBR	SIB-593
OR23004050-20	40.50	2.30	CR	SIB-1211
OR30004050-37	40.50	3.00	VMQ	SIB-1145
OR30004050-37	40.50	3.00	VMQ	SIB-1129

Part No.	d	c/s	Material	Mould No.
OR35004050-64	40.50	3.50	FKM	SIB-1115
OR35004050-08	40.50	3.50	NBR	SIB-169
OR40004050-64	40.50	4.00	FKM	SIB-1000
OR53004050-10	40.50	5.30	NBR	SIC-1104
OR67504050-08	40.50	6.75	NBR	SIC-2045
OR87504050-08	40.50	8.75	NBR	SIC-1604
OR31004060-08	40.60	3.10	NBR	SIB-2321
OR32004060-08	40.60	3.20	NBR	SIB-319
OR53304060-T5	40.60	5.33	EPDM	SIC-1092
OR23804062-08	40.62	2.38	NBR	SIB-1687
OR35304064-64	40.64	3.53	FKM	SIB-3233
OR53304064-64	40.64	5.33	FKM	SIC-907
OR53304064-08	40.64	5.33	NBR	SIC-623
OR53304064-09	40.64	5.33	NBR	SIC-769
OR53304064-R1	40.64	5.33	VMQ	SIC-1803
OR58304064-64	40.64	5.83	FKM	SIC-1376
OR65004065-T2	40.65	6.50	VMQ	SIC-2360
OR18504070-64	40.70	1.85	NBR	SIB-3309
OR25004070-08	40.70	2.50	NBR	SIB-588
OR32404070-64	40.70	3.24	FKM	SIB-1564
OR47004080-10	40.80	4.70	NBR	SIC-2307
OR33304087-08	40.87	3.33	NBR	SIB-1636
OR35304087-64	40.87	3.53	FKM	SIB-1046
OR35304087-08	40.87	3.53	NBR	SIB-1917
OR35304087-08	40.87	3.53	NBR	SIB-768
OR35304087-L3	40.87	3.53	AFLAS	SIB-2814
OR35304087-43	40.87	3.53	VMQ	SIB-2879
OR30004090-18	40.90	3.00	CR	SIB-1810
OR53004090-L5	40.90	5.30	PU	POB-229
OR35004092-L5	40.92	3.50	PU	POA-312
OR26204094-08	40.94	2.62	NBR	SIB-2254
OR26204094-64	40.94	2.62	FKM	SIB-862
OR26204094-08	40.94	2.62	NBR	SIB-898
OR28204094-11	40.94	2.82	NBR	SIB-2585
OR18004095-26	40.95	1.80	EPDM	SIB-2524
OR10004100-08	41.00	1.00	NBR	SIB-2314
OR15004100-08	41.00	1.50	NBR	SIB-849
OR16004100-16	41.00	1.60	CR	SIB-1132
OR17804100-08	41.00	1.78	NBR	SIB-829
OR17804100-64	41.00	1.78	FKM	SIB-796
OR17804100-49	41.00	1.78	HNBR	SIB-3012
OR19004100-43	41.00	1.90	VMQ	SIB-2698
OR19004100-67	41.00	1.90	FKM	SIB-2699
OR20004100-08	41.00	2.00	NBR	SIB-1401
OR20004100-67	41.00	2.00	FKM	SIB-1586
OR20004100-08	41.00	2.00	NBR	SIB-321
OR20004100-64	41.00	2.00	FKM	SIB-2756
OR22004100-08	41.00	2.20	NBR	SIB-2326
OR24004100-11	41.00	2.40	NBR	SIB-2232
OR25004100-08	41.00	2.50	NBR	SIB-409
OR25004100-64	41.00	2.50	FKM	SIB-1015
OR26204100-08	41.00	2.62	NBR	SIB-1937
OR27004100-08	41.00	2.70	NBR	SIB-1411
OR27004100-64	41.00	2.70	FKM	SIB-1094
OR30004100-37	41.00	3.00	VMQ	SIB-1126
OR30004100-08	41.00	3.00	NBR	SIB-1223
OR30004100-08	41.00	3.00	NBR	SIB-276
OR32504100-64	41.00	3.25	FKM	SIB-1112
OR35004100-08	41.00	3.50	NBR	SIB-446
OR35004100-64	41.00	3.50	FKM	SIB-3197
OR35304100-67	41.00	3.53	FKM	SIB-1723
OR36004100-08	41.00	3.60	NBR	SIB-480
OR40004100-08	41.00	4.00	NBR	SIB-822
OR40004100-64	41.00	4.00	FKM	SIB-2741
OR45004100-08	41.00	4.50	NBR	SIB-927
OR45004100-D6	41.00	4.50	HNBR	SIB-3192
OR50004100-64	41.00	5.00	FKM	SIC-680
OR50004100-L5	41.00	5.00	PU	POB-301
OR52504100-43	41.00	5.25	VMQ	SIC-1607
OR53004100-64	41.00	5.30	FKM	SIC-1203
OR55004100-08	41.00	5.50	NBR	SIC-160
OR57004100-64	41.00	5.70	FKM	SIC-1748
OR60004100-08	41.00	6.00	NBR	SIC-280

Bold sizes are readily available in stock.
 Other material are available on request.

Part No.	d	c/s	Material	Mould No.
OR60004100-08	41.00	6.00	FKM	SIC-1979
OR60004100-32	41.00	6.00	EPDM	SIC-2039
OR15004100-10	41.00	15.00	NBR	SIC-2312
OR50004110-08	41.10	5.00	NBR	SIC-737
OR28504115-08	41.15	2.85	NBR	SIB-2569
OR24004120-08	41.20	2.40	NBR	SIB-1737
OR24004120-08	41.20	2.40	NBR	SIB-1708
OR30004120-08	41.20	3.00	NBR	SIB-876
OR35504120-64	41.20	3.55	FKM	SIB-3131
OR35504100-08	41.20	3.55	NBR	SIB-3143
OR15904127-08	41.27	1.59	NBR	SIB-107
OR15904127-64	41.27	1.59	FKM	SIB-2970
OR104104127-08	41.27	10.41	NBR	SIC-1563
OR104104127-64	41.27	10.41	FKM	SIC-1606
OR110904127-08	41.27	11.09	NBR	SIC-1589
OR110904127-64	41.27	11.09	FKM	SIC-1593
OR35304128-08	41.28	3.53	NBR	SIB-818
OR35304128-T2	41.28	3.53	VMQ	SIB-2449
OR35348340-64	41.28	3.53	FKM	SIB-3147
OR35304128-CM	41.28	3.53	FKM	SIB-3332
OR47604128-64	41.28	4.76	FKM	SIC-2243
OR20004130-32	41.30	2.00	EPDM	SIB-2487
OR32004130-08	41.30	3.20	NBR	SIB-474
OR47504130-08	41.30	4.75	NBR	SIC-1349
OR15104135-D5	41.35	1.51	HNBR	SIB-2503
OR30504140-C1	41.40	3.05	XNBR	SIB-2899
OR53004140-S8	41.40	5.30	NBR	SIC-2395
OR30204143-08	41.43	3.02	NBR	SIB-2767
OR30204143-64	41.43	3.02	FKM	SIB-2944
OR35004148-08	41.48	3.50	NBR	SIB-1964
OR15004150-08	41.50	1.50	NBR	SIB-2013
OR20004150-08	41.50	2.00	NBR	SIB-2596
OR22504150-64	41.50	2.25	FKM	SIB-2887
OR25004150-64	41.50	2.50	FKM	SIB-1425
OR25004150-08	41.50	2.50	NBR	SIB-2380
OR30004150-66	41.50	3.00	FKM	SIB-1718
OR30004150-08	41.50	3.00	NBR	SIB-996
OR33004150-08	41.50	3.33	NBR	SIB-1841
OR35004150-08	41.50	3.50	NBR	SIB-332
OR36504150-R1	41.50	3.65	FVMQ	SIB-2566
OR40004150-08	41.50	4.00	NBR	SIB-2049
OR45004150-64	41.50	4.50	FKM	SIC-1650
OR35304155-64	41.55	3.53	FKM	SIB-2363
OR25004170-08	41.70	2.50	NBR	SIB-2359
OR26204170-08	41.70	2.62	NBR	SIB-964
OR35004170-10	41.70	3.50	NBR	SIB-1124
OR35004170-10	41.70	3.50	NBR	SIB-453
OR35004170-64	41.70	3.50	FKM	SIB-2682
OR37004170-64	41.70	3.70	FKM	SIB-1390
OR16004180-08	41.80	1.60	NBR	SIB-2340
OR22004180-64	41.80	2.20	FKM	SIB-3204
OR26504180-64	41.80	2.65	FKM	SIB-1171
OR31004180-64	41.80	3.10	FKM	SIB-1546
OR35004180-08	41.80	3.50	NBR	SIB-1700
OR44004180-L5	41.80	4.40	PU	POB-263
OR45004180-08	41.80	4.50	NBR	SIC-220
OR26904196-64	41.96	2.69	FKM	SIB-2273
OR28404199-D5	41.99	2.84	HNBR	SIB-3179
OR10004200-08	42.00	1.00	NBR	SIB-2686
OR14004200-08	42.00	1.40	NBR	SIB-2354
OR15004200-64	42.00	1.50	FKM	SIB-1911
OR15004200-08	42.00	1.50	NBR	SIB-1518
OR15004200-08	42.00	1.50	NBR	SIB-1940
OR17804200-64	42.00	1.78	FKM	SIB-1428
OR18004200-08	42.00	1.80	NBR	SIB-1227
OR19004200-08	42.00	1.90	NBR	SIB-1897
OR20004200-64	42.00	2.00	FKM	SIB-1178
OR20004200-08	42.00	2.00	NBR	SIB-214
OR20004200-D5	42.00	2.00	HNBR	SIB-1798
OR22004200-08	42.00	2.20	NBR	SIB-1907
OR23004200-08	42.00	2.30	NBR	SIB-1379
OR25004200-64	42.00	2.50	FKM	SIB-1392
OR25004200-08	42.00	2.50	NBR	SIB-337

Part No.	d	c/s	Material	Mould No.
OR25004200-D5	42.00	2.50	HNBR	SIB-2601
OR27004200-08	42.00	2.70	NBR	SIB-2098
OR27504200-08	42.00	2.75	NBR	SIB-708
OR28004200-64	42.00	2.80	FKM	SIB-2280
OR30004200-32	42.00	3.00	EPDM	SIB-2337
OR30004200-L5	42.00	3.00	PU	POA-227
OR30004200-37	42.00	3.00	VMQ	SIB-1120
OR30004200-64	42.00	3.00	FKM	SIB-1711
OR30004200-08	42.00	3.00	NBR	SIB-496
OR32004200-08	42.00	3.20	NBR	SIB-1104
OR33004200-10	42.00	3.30	NBR	SIB-2845
OR35004200-08	42.00	3.50	NBR	SIB-137
OR35004200-08	42.00	3.50	NBR	SIB-509
OR35004200-L5	42.00	3.50	PU	POA-401
OR35004200-64	42.00	3.50	FKM	SIB-1590
OR35004200-R1	42.00	3.50	FVMQ	SIB-2794
OR35504200-64	42.00	3.55	FKM	SIB-2111
OR37204200-08	42.00	3.72	NBR	SIB-906
OR40004200-08	42.00	4.00	NBR	SIB-786
OR40004200-66	42.00	4.00	FKM	SIB-2029
OR40004200-64	42.00	4.00	FKM	SIB-3303
OR43004200-08	42.00	4.30	NBR	SIC-815
OR43004200-08	42.00	4.30	NBR	SIC-1467
OR45004200-08	42.00	4.50	NBR	SIC-1637
OR47504200-D6	42.00	4.75	HNBR	SIC-2352
OR50004200-64	42.00	5.00	FKM	SIC-1143
OR50004200-08	42.00	5.00	NBR	SIC-335
OR50004200-L5	42.00	5.00	PU	POB-252
OR53304200-08	42.00	5.33	NBR	SIC-2093
OR55004200-11	42.00	5.50	NBR	SIC-1354
OR60004200-08	42.00	6.00	NBR	SIC-586
OR70004200-08	42.00	7.00	NBR	SIC-1008
OR80004200-11	42.00	8.00	NBR	SIC-1474
OR80004200-64	42.00	8.00	FKM	SIC-2145
OR26242100-20	42.10	2.62	CR	SIB-3152
OR30004220-08	42.20	3.00	NBR	SIB-1632
OR30004220-64	42.20	3.00	FKM	SIB-210
OR30004220-J3	42.20	3.00	Butyl Rubber	SIB-1523
OR33504220-08	42.20	3.35	NBR	SIB-3219
OR10004230-64	42.30		FKM	SIC-785
OR10004250-06	42.50	1.00	NBR	SIB-2706
OR10004250-41	42.50	1.00	VMQ	SIB-2707
OR17804250-08	42.50	1.78	NBR	SIB-919
OR18004250-08	42.50	1.80	NBR	SIB-2734
OR18004250-67	42.50	1.80	FKM	SIB-2802
OR20004250-08	42.50	2.00	NBR	SIB-2594
OR25004250-08	42.50	2.50	NBR	SIB-3283
OR26504250-T5	42.50	2.65	EPDM	SIB-2847
OR32004250-10	42.50	3.20	NBR	SIB-2268
OR35304250-N8	42.50	3.53	NBR	SIB-114
OR35504250-08	42.50	3.55	NBR	SIB-1776
OR35504250-64	42.50	3.55	FKM	SIB-3334
OR40004250-08	42.50	4.00	NBR	SIB-2077
OR45004250-64	42.50	4.50	FKM	SIC-722
OR50004250-66	42.50	5.00	FKM	SIC-2101
OR80004250-64	42.50	8.00	FKM	SIC-1511
OR26204252-L5	42.52	2.62	PU	POA-379
OR26204252-64	42.52	2.62	FKM	SIB-1193
OR26204252-08	42.52	2.62	NBR	SIB-885
OR26204252-O3	42.52	2.62	NBR	SIB-3024
OR26204252-BA	42.52	2.62	FKM	SIB-3181
OR26204252-D5	42.52	2.62	HNBR	SIB-3125
OR24042600-08	42.60	2.40	NBR	SIB-2838
OR36004260-64	42.60	3.60	FKM	SIB-2222
OR45004260-D6	42.60	4.50	HNBR	SIC-2230
OR62004260-08	42.60	6.20	NBR	SIC-1611
OR23804262-08	42.62	2.38	NBR	SIB-2824
OR23804262-64	42.62	2.38	FKM	SIB-3077
OR23804262-08	42.62	2.38	NBR	SIB-2851
OR53304268-66	42.68	5.33	FKM	SIC-890
OR16504270-08	42.70	1.65	NBR	SIB-1677
OR35704276-D5	42.76	3.57	HNBR	SIB-3310
OR56004280-08	42.80	5.60	NBR	SIC-1433

Bold sizes are readily available in stock.
Other material are available on request.

Part No.	d	c/s	Material	Mould No.
OR17804286-64	42.86	1.78	FKM	SIB-2704
OR35304286-08	42.86	3.53	NBR	SIB-1040
OR35304286-64	42.86	3.53	FKM	SIB-1783
OR35304286-55	42.86	3.53	ACM	SIB-3037
OR35004290-08	42.90	3.50	NBR	SIB-2981
OR15104294-D5	42.94	1.51	HNBR	SIB-2819
OR35304294-64	42.94	3.53	FKM	SIB-3080
OR37004299-08	42.99	3.70	NBR	SIC-2115
OR10004300-08	43.00	1.00	NBR	SIB-2176
OR15004300-08	43.00	1.50	NBR	SIB-897
OR15004300-08	43.00	1.50	NBR	SIB-1939
OR17004300-08	43.00	1.70	NBR	SIB-2341
OR18004300-08	43.00	1.80	NBR	SIB-2276
OR20004300-08	43.00	2.00	NBR	SIB-766
OR20004300-64	43.00	2.00	FKM	SIB-1524
OR20004300-L5	43.00	2.00	PU	POA-435
OR25004300-64	43.00	2.50	FKM	SIB-1905
OR25004300-08	43.00	2.50	NBR	SIB-865
OR25004300-64	43.00	2.50	FKM	SIB-1591
OR25004300-L5	43.00	2.50	PU	POA-519
OR28004300-09	43.00	2.80	NBR	SIB-1625
OR26004300-D5	43.00	2.60	HNBR	SIB-2365
OR26204300-08	43.00	2.62	NBR	SIB-1550
OR27004300-11	43.00	2.70	NBR	SIB-1024
OR30004300-87	43.00	3.00	PU	POA-231
OR30004300-08	43.00	3.00	NBR	SIB-1106
OR30004300-32	43.00	3.00	EPDM	SIB-1884
OR30004300-64	43.00	3.00	FKM	SIB-235
OR30004300-20	43.00	3.00	CR	SIB-3038
OR34004300-08	43.00	3.40	NBR	SIB-3269
OR35004300-08	43.00	3.50	NBR	SIB-427
OR35004300-64	43.00	3.50	FKM	SIB-647
OR35004300-T2	43.00	3.50	VMQ	SIB-3211
OR40004300-64	43.00	4.00	FKM	SIC-1258
OR40004300-08	43.00	4.00	NBR	SIC-183
OR45004300-D5	43.00	4.50	HNBR	SIC-1719
OR50004300-64	43.00	5.00	FKM	SIC-1259
OR50004300-08	43.00	5.00	NBR	SIC-392
OR52504300-08	43.00	5.25	NBR	SIC-1298
OR53004300-08	43.00	5.30	NBR	SIC-1272
OR55004300-32	43.00	5.50	EPDM	SIC-572
OR55004300-11	43.00	5.50	NBR	SIC-2017
OR60004300-08	43.00	6.00	NBR	SIC-295
OR60004300-41	43.00	6.00	VMQ	SIC-2029
OR70004300-08	43.00	7.00	NBR	SIC-1570
OR90004300-04	43.00	9.00	NBR	SIC-1202
OR15004300-08	43.00	15.00	NBR	SIC-2250
OR32004310-08	43.10	3.20	NBR	SIB-199
OR45204310-64	43.10	4.52	FKM	SIC-1561
OR45304310-08	43.10	4.53	NBR	SIC-2402
OR26204323-43	43.23	2.62	VMQ	SIB-1447
OR57004330-64	43.30	5.70	FKM	SIC-1615
OR23804332-64	43.32	2.38	FKM	SIB-2570
OR35304337-D5	43.37	3.53	HNBR	SIC-2256
OR18004340-08	43.40	1.80	NBR	SIB-2171
OR36004340-43	43.40	3.60	VMQ	SIC-1665
OR50004340-67	43.40	5.00	FKM	SIC-1398
OR53004340-64	43.40	5.30	FKM	SIC-2163
OR29404343-08	43.43	2.94	NBR	SIB-788
OR20004350-08	43.50	2.00	NBR	SIB-2987
OR24004350-32	43.50	2.40	EPDM	SIB-2688
OR32004350-67	43.50	3.20	FKM	SIB-1786
OR35304350-10	43.50	3.53	NBR	SIC-703
OR35504350-67	43.50	3.55	FKM	SIC-1222
OR40004350-08	43.50	4.00	FKM	SIC-633
OR45004350-32	43.50	4.50	EPDM	SIC-1652
OR56004350-08	43.50	5.60	NBR	SIC-2321
OR80004350-10	43.50	8.00	NBR	SIC-2005
OR38104356-08	43.56	3.81	NBR	SIC-545
OR19004360-43	43.60	1.90	VMQ	SIB-2149
OR24004360-T9	43.60	2.40	FKM	SIB-2728
OR23804366-08	43.66	2.38	NBR	SIB-3277
OR20004369-08	43.69	2.00	NBR	SIB-2883

Part No.	d	c/s	Material	Mould No.
OR30004369-10	43.69	3.00	NBR	SIB-1509
OR18004370-08	43.70	1.80	NBR	SIB-3308
OR26504370-66	43.70	2.65	FKM	SIB-1153
OR30004370-R1	43.70	3.00	FVMQ	SIB-3292
OR35004370-08	43.70	3.50	NBR	SIC-1140
OR35004370-11	43.70	3.50	NBR	SIC-149
OR35504370-08	43.70	3.55	NBR	SIC-1210
OR35504370-64	43.70	3.55	FKM	SIC-1165
OR36004370-08	43.70	3.60	NBR	SIC-1862
OR53004370-08	43.70	5.30	NBR	SIC-247
OR37504375-08	43.75	3.75	NBR	SIC-2375
OR22704377-64	43.77	2.27	FKM	SIB-2547
OR22604378-08	43.78	2.26	NBR	SIB-2776
OR30004380-64	43.80	3.00	FKM	SIB-1123
OR31004380-64	43.80	3.10	FKM	SIB-1041
OR32004380-S8	43.80	3.20	NBR	SIC-1713
OR35004380-08	43.80	3.50	NBR	SIC-881
OR37004380-08	43.80	3.70	NBR	SIC-1223
OR37004380-32	43.80	3.70	EPDM	SIC-1551
OR37004380-43	43.80	3.70	VMQ	SIC-2072
OR41004380-10	43.80	4.10	NBR	SIC-2306
OR69943810-D6	43.81	6.99	HNBR	SIC-1927
OR53304382-11	43.82	5.33	NBR	SIC-1295
OR53304382-64	43.82	5.33	FKM	SIC-1345
OR53304382-08	43.82	5.33	NBR	SIC-243
OR53304382-32	43.82	5.33	EPDM	SIC-551
OR53404382-45	43.82	5.34	VMQ	SIC-914
OR35304386-67	43.86	3.53	FKM	SIC-1043
OR52804393-D5	43.92	5.28	HNBR	SIC-1753
OR10004400-08	44.00	1.00	NBR	SIB-683
OR15004400-08	44.00	1.50	NBR	SIB-1594
OR16004400-08	44.00	1.60	NBR	SIB-521
OR17804400-BN	44.00	1.78	FKM	SIB-3002
OR20004400-64	44.00	2.00	FKM	SIB-1181
OR20004400-08	44.00	2.00	NBR	SIB-205
OR20004400-43	44.00	2.00	VMQ	SIB-3086
OR22004400-08	44.00	2.20	NBR	SIB-1873
OR22504400-64	44.00	2.25	FKM	SIB-2109
OR23004400-08	44.00	2.30	NBR	SIB-2526
OR24004400-64	44.00	2.40	FKM	SIB-899
OR24004400-08	44.00	2.40	NBR	SIB-931
OR25004400-08	44.00	2.50	NBR	SIB-1618
OR25004400-64	44.00	2.50	FKM	SIB-376
OR25004400-L5	44.00	2.50	PU	POA-265
OR25004400-D5	44.00	2.50	HNBR	SIB-2602
OR27004400-08	44.00	2.70	NBR	SIB-2045
OR30004400-08	44.00	3.00	NBR	SIB-136
OR30004400-08	44.00	3.00	NBR	SIB-1164
OR30004400-64	44.00	3.00	FKM	SIB-1481
OR32004400-08	44.00	3.20	NBR	SIC-1013
OR32504400-08	44.00	3.25	NBR	SIC-253
OR35004400-08	44.00	3.50	NBR	SIC-776
OR35004400-64	44.00	3.50	FKM	SIC-1494
OR35004400-64	44.00	3.50	FKM	SIC-1645
OR40004400-08	44.00	4.00	NBR	SIC-828
OR40004400-08	44.00	4.00	NBR	SIC-711
OR40004400-D5	44.00	4.00	HNBR	SIC-2231
OR45004400-08	44.00	4.50	NBR	SIC-111
OR46004400-08	44.00	4.60	NBR	SIC-2311
OR46404400-64	44.00	4.64	FKM	SIC-1721
OR50004400-43	44.00	5.00	VMQ	SIC-1522
OR50004400-08	44.00	5.00	NBR	SIC-279
OR50004400-08	44.00	5.00	NBR	SIC-393
OR50004400-08	44.00	5.00	NBR	SIC-451
OR50004400-64	44.00	5.00	FKM	SIC-1999
OR53204400-08	44.00	5.32	NBR	SIC-856
OR54004400-08	44.00	5.40	NBR	SIC-129
OR55004400-08	44.00	5.50	FKM	SIB-1712
OR55004400-08	44.00	5.50	NBR	SIC-1326
OR60004400-08	44.00	6.00	NBR	SIC-1033
OR60004400-41	44.00	6.00	VMQ	SIC-2031
OR65004400-08	44.00	6.50	NBR	SIC-1221
OR70004400-41	44.00	7.00	VMQ	SIC-2020

Bold sizes are readily available in stock.
 Other material are available on request.

Part No.	d	c/s	Material	Mould No.
OR80004400-41	44.00	8.00	VMQ	SIC-2024
OR80004400-08	44.00	8.00	NBR	SIC-2345
OR85004400-08	44.00	8.50	NBR	SIC-1972
OR10004400-08	44.00	10.00	NBR	SIC-1157
OR12004400-07	44.00	12.00	FKM	SIC-2337
OR35304404-03	44.04	3.53	NBR	SIC-1012
OR35304404-D6	44.04	3.53	HNBR	SIC-952
OR35304404-08	44.04	3.53	NBR	SIC-195
OR35304404-64	44.04	3.53	FKM	SIC-766
OR35304404-L5	44.04	3.53	PU	POB-258
OR35304404-11	44.04	3.53	NBR	SIC-2028
OR35004405-32	44.05	3.50	EPDM	SIC-2281
OR53304408-64	44.08	5.33	FKM	SIC-2396
OR17804410-R3	44.10	1.78	PU	POA-372
OR19004410-08	44.10	1.90	NBR	SIB-1812
OR23604410-08	44.10	2.36	NBR	SIB-1870
OR57004410-08	44.10	5.70	NBR	SIC-153
OR58004410-T2	44.10	5.80	VMQ	SIC-1630
OR26204412-66	44.12	2.62	FKM	SIB-1294
OR26204412-08	44.12	2.62	NBR	SIB-804
OR26204412-39	44.12	2.62	VMQ	SIB-2454
OR26204412-64	44.12	2.62	FKM	SIB-2880
OR26204412-T5	44.12	2.62	EPDM	SIB-3338
OR26204415-59	44.15	2.62	PU	POA-515
OR17804417-08	44.17	1.78	NBR	SIB-638
OR17804417-64	44.17	1.78	FKM	SIB-1194
OR17804417-43	44.17	1.78	VMQ	SIB-2424
OR17804417-87	44.17	1.78	PU	POA-539
OR18004420-08	44.20	1.80	NBR	SIB-2000
OR30004420-08	44.20	3.00	NBR	SIC-819
OR53304420-62	44.20	5.33	FKM	SIC-1761
OR57004420-66	44.20	5.70	FKM	SIC-1391
OR57004430-08	44.30	5.70	NBR	SIC-1992
OR32004440-08	44.40	3.20	NBR	SIB-476
OR31004410-08	44.40	3.10	NBR	SIB-1167
OR31004440-67	44.40	3.10	FKM	SIC-1181
OR31004440-64	44.40	3.10	FKM	SIC-1530
OR31004440-08	44.40	3.10	NBR	SIC-165
OR31004440-64	44.40	3.10	FKM	SIC-1921
OR31004440-59	44.40	3.10	PU	POB-285
OR48004440-08	44.40	4.80	NBR	SIC-278
OR63404440-06	44.40	6.34	NBR	SIC-1716
OR15804445-64	44.45	1.58	FKM	SIB-2862
OR23804445-08	44.45	2.38	NBR	SIB-1735
OR35304445-T9	44.45	3.53	FKM	SIC-986
OR35304445-S8	44.45	3.53	NBR	SIC-1691
OR47604445-64	44.45	4.76	FKM	SIC-2244
OR10004450-64	44.50	1.00	FKM	SIB-3102
OR15004450-08	44.50	1.50	NBR	SIB-2345
OR18004450-08	44.50	1.80	NBR	SIB-562
OR20004450-20	44.50	2.00	CR	SIB-2275
OR20004450-64	44.50	2.00	FKM	SIB-932
OR25004450-08	44.50	2.50	NBR	SIB-527
OR27004450-08	44.50	2.70	NBR	SIB-2286
OR30004450-08	44.50	3.00	NBR	SIC-192
OR30004450-64	44.50	3.00	FKM	SIC-1711
OR35004450-08	44.50	3.50	NBR	SIC-2283
OR37004450-08	44.50	3.70	NBR	SIC-152
OR47504450-08	44.50	4.75	NBR	SIC-1394
OR53304450-64	44.50	5.33	FKM	SIC-207
OR55004450-08	44.50	5.50	NBR	SIC-982
OR55004450-08	44.50	5.50	NBR	SIC-2313
OR60004450-08	44.50	6.00	NBR	SIC-410
OR72004445-08	44.50	7.20	NBR	SIC-1962
OR35304453-D5	44.53	3.53	HNBR	SIC-1857
OR24004460-06	44.60	2.40	NBR	SIB-2505
OR24004460-02	44.60	2.40	NBR	SIB-2460
OR24004460-67	44.60	2.40	FKM	SIB-2890
OR24604460-08	44.60	2.46	NBR	SIB-2894
OR25004460-64	44.60	2.50	FKM	SIB-2730
OR29004460-11	44.60	2.90	NBR	SIC-1470
OR29004460-66	44.60	2.90	FKM	SIC-1612
OR36004460-64	44.60	3.60	FKM	SIC-1191

Part No.	d	c/s	Material	Mould No.
OR28004470-08	44.70	2.80	NBR	SIC-1830
OR28004470-64	44.70	2.80	FKM	SIC-2322
OR33004470-08	44.70	3.30	NBR	SIC-2238
OR35004470-08	44.70	3.50	NBR	SIC-322
OR26204476-64	44.76	2.62	FKM	SIB-1721
OR46504478-11	44.78	4.65	NBR	SIC-2334
OR10004480-T3	44.80	1.00	EPDM	SIB-2538
OR20004480-64	44.80	2.00	FKM	SIB-2189
OR30004480-08	44.80	3.00	NBR	SIC-404
OR32004485-20	44.85	3.20	CR	SIC-1844
OR26204489-08	44.89	2.62	NBR	SIC-991
OR10004500-08	45.00	1.00	NBR	SIB-2313
OR10004500-T2	45.00	1.00	VMQ	SIB-2040
OR15004500-D5	45.00	1.50	HNBR	SIB-2383
OR15004500-08	45.00	1.50	NBR	SIB-1517
OR15004500-J3	45.00	1.50	Butyl Rubber	SIB-2560
OR16004500-43	45.00	1.60	VMQ	SIB-3048
OR18004500-08	45.00	1.80	NBR	SIB-182
OR20004500-64	45.00	2.00	FKM	SIB-1426
OR20004500-08	45.00	2.00	NBR	SIB-544
OR20004500-64	45.00	2.00	FKM	SIB-992
OR22004500-08	45.00	2.20	NBR	SIB-3164
OR25004500-08	45.00	2.50	NBR	SIB-528
OR25004500-64	45.00	2.50	FKM	SIB-738
OR25004500-43	45.00	2.50	VMQ	SIB-2352
OR26004500-64	45.00	2.60	FKM	SIC-1500
OR26204500-08	45.00	2.62	NBR	SIC-754
OR26504500-D5	45.00	2.65	HNBR	SIC-1767
OR27504500-08	45.00	2.75	NBR	SIC-573
OR30004500-08	45.00	3.00	NBR	SIC-118
OR30004500-66	45.00	3.00	FKM	SIC-592
OR30004500-32	45.00	3.00	EPDM	SIC-424
OR30004500-08	45.00	3.00	NBR	SIC-799
OR30004500-64	45.00	3.00	FKM	SIC-877
OR30004500-08	45.00	3.00	NBR	SIC-331
OR30004500-L5	45.00	3.00	PU	POB-264
OR30004500-20	45.00	3.00	CR	SIC-2120
OR31004500-08	45.00	3.10	NBR	SIC-1213
OR31004500-32	45.00	3.10	EPDM	SIC-2394
OR32504500-08	45.00	3.25	NBR	SIC-609
OR35004500-08	45.00	3.50	NBR	SIC-187
OR35004500-64	45.00	3.50	FKM	SIC-1460
OR35004500-64	45.00	3.50	FKM	SIC-1443
OR35304500-08	45.00	3.53	PTFE	POB-216
OR35304500-64	45.00	3.53	FKM	SIC-950
OR36004500-64	45.00	3.60	FKM	SIC-583
OR36004500-08	45.00	3.60	NBR	SIC-1369
OR38004500-08	45.00	3.80	NBR	SIC-2302
OR40004500-08	45.00	4.00	NBR	SIC-170
OR40004500-64	45.00	4.00	FKM	SIC-1188
OR42504500-08	45.00	4.25	NBR	SIC-2157
OR45004500-08	45.00	4.50	NBR	SIC-154
OR50004500-08	45.00	5.00	NBR	SIC-1290
OR50004500-08	45.00	5.00	NBR	SIC-198
OR50004500-64	45.00	5.00	FKM	SIC-726
OR50004500-18	45.00	5.00	CR	SIC-2035
OR52504500-08	45.00	5.25	NBR	SIC-977
OR53004500-64	45.00	5.30	FKM	SIC-2073
OR53304500-L3	45.00	5.33	AFLAS	SIC-2167
OR53304500-32	45.00	5.33	EPDM	SIC-2273
OR55004500-08	45.00	5.50	NBR	SIC-199
OR55004500-43	45.00	5.50	VMQ	SIC-1782
OR55004500-32	45.00	5.50	EPDM	SIC-2107
OR57004500-10	45.00	5.70	NBR	SIC-851
OR60004500-08	45.00	6.00	NBR	SIC-296
OR65004500-08	45.00	6.50	NBR	SIC-1971
OR70004500-08	45.00	7.00	NBR	SIC-1576
OR75004500-08	45.00	7.50	NBR	SIC-1723
OR80004500-08	45.00	8.00	NBR	SIC-1441
OR80004500-43	45.00	8.00	VMQ	SIC-399
OR18004500-08	45.00	18.00	NBR	SIC-1093
OR12704508-10	45.08	12.70	NBR	SIC-1923
OR25204509-08	45.09	2.52	NBR	SIC-1365

Bold sizes are readily available in stock.
Other material are available on request.

Part No.	d	c/s	Material	Mould No.
OR35604510-43	45.10	3.56	VMQ	SIC-809
OR22604536-08	45.36	2.26	NBR	SIB-2816
OR35304536-43	45.36	3.53	VMQ	SIC-1926
OR18004540-08	45.40	1.80	NBR	SIB-2572
OR17804546-34	45.46	1.78	EPDM	SIB-2470
OR53304548-08	45.48	5.33	NBR	SIC-508
OR50004550-08	45.50	5.00	NBR	SIB-726
OR25004550-64	45.50	2.50	FKM	SIC-1842
OR57004550-11	45.50	5.70	NBR	SIC-978
OR17804560-66	45.60	1.78	FKM	SIB-3007
OR23004560-08	45.60	2.30	NBR	SIC-1595
OR24004560-32	45.60	2.40	EPDM	SIC-1639
OR35004562-08	45.62	3.50	NBR	SIC-1330
OR26204569-64	45.69	2.62	FKM	SIC-1164
OR26204569-08	45.69	2.62	NBR	SIC-555
OR26204569-32	45.69	2.62	EPDM	SIC-2349
OR22004570-64	45.70	2.20	FKM	SIC-2299
OR26004570-L5	45.70	2.60	PU	POB-215
OR35004570-08	45.70	3.50	NBR	SIC-908
OR35004570-64	45.70	3.50	FKM	SIC-1870
OR24004580-64	45.80	2.40	FKM	SIC-1498
OR57004580-08	45.80	5.70	NBR	SIC-521
OR73004580-06	45.80	7.30	NBR	SIC-936
OR73004580-06	45.80	7.30	NBR	SIC-1046
OR17804584-D5	45.84	1.78	HNBR	SIB-2713
OR10004600-08	46.00	1.00	NBR	SIB-2677
OR10004600-64	46.00	1.00	FKM	SIB-2909
OR15004600-08	46.00	1.50	NBR	SIB-1407
OR15004600-66	46.00	1.50	FKM	SIB-1499
OR16004600-08	46.00	1.60	NBR	SIB-3028
OR17804600-64	46.00	1.78	FKM	SIB-1526
OR18004600-08	46.00	1.80	NBR	SIB-286
OR18004600-66	46.00	1.80	FKM	SIB-1753
OR19004600-64	46.00	1.90	FKM	SIB-2151
OR20004600-64	46.00	2.00	FKM	SIB-1177
OR20004600-08	46.00	2.00	NBR	SIB-929
OR20004600-32	46.00	2.00	EPDM	SIB-2995
OR20004600-BA	46.00	2.00	FKM	SIB-3060
OR20004600-R1	46.00	2.00	FVMQ	SIB-3058
OR25004600-08	46.00	2.50	NBR	SIB-120
OR25004600-64	46.00	2.50	FKM	SIB-1475
OR25004600-D5	46.00	2.50	HNBR	SIC-1746
OR25004600-30	46.00	2.50	EPDM	SIC-2323
OR25004600-BA	46.00	2.50	FKM	SIC-2388
OR26004600-64	46.00	2.60	FKM	SIB-1666
OR27304600-08	46.00	2.73	NBR	SIC-2185
OR28004600-64	46.00	2.80	FKM	SIC-2135
OR30004600-64	46.00	3.00	FKM	SIC-1194
OR30004600-08	46.00	3.00	NBR	SIC-816
OR30004600-08	46.00	3.00	NBR	SIC-390
OR30004600-59	46.00	3.00	PU	POB-280
OR33304600-08	46.00	3.33	NBR	SIC-2318
OR35004600-64	46.00	3.50	FKM	SIC-1192
OR35004600-08	46.00	3.50	NBR	SIC-130
OR40004600-08	46.00	4.00	NBR	SIC-230
OR40004600-08	46.00	4.00	FKM	SIC-632
OR45004600-32	46.00	4.50	EPDM	SIC-855
OR45004600-64	46.00	4.50	FKM	SIC-2366
OR50004600-43	46.00	5.00	VMQ	SIC-1168
OR50004600-08	46.00	5.00	NBR	SIC-341
OR50004600-64	46.00	5.00	FKM	SIC-2335
OR53304600-08	46.00	5.33	NBR	SIC-1656
OR55004600-08	46.00	5.50	NBR	SIC-1037
OR60004600-08	46.00	6.00	NBR	SIC-1197
OR12004600-08	46.00	12.00	NBR	SIC-387
OR23804604-43	46.04	2.38	VMQ	SIC-1996
OR35304604-67	46.04	3.53	FKM	SIC-760
OR35304604-S4	46.04	3.53	HNBR	SIC-1661
OR12004610-08	46.10	1.20	NBR	SIB-3074
OR18004620-08	46.20	1.80	NBR	SIB-2598
OR22004620-08	46.20	2.20	NBR	SIC-1055
OR45704623-08	46.23	4.57	NBR	SIC-2357
OR20004624-08	46.24	2.00	NBR	SIC-2100

Part No.	d	c/s	Material	Mould No.
OR45304627-08	46.27	4.53	NBR	SIC-2082
OR36004630-08	46.30	3.60	NBR	SIC-528
OR60004630-08	46.30	6.00	NBR	SIC-1231
OR24004640-08	46.40	2.40	NBR	SIC-849
OR70004644-08	46.44	7.00	NBR	SIC-2304
OR75404644-D5	46.44	7.54	HNBR	SIC-1754
OR75404644-08	46.44	7.54	NBR	SIC-1924
OR12504650-08	46.50	1.25	NBR	SIB-765
OR15004650-64	46.50	1.50	FKM	SIB-997
OR18004650-T9	46.50	1.80	NBR	SIC-2132
OR20004650-43	46.50	2.00	VMQ	SIC-1950
OR22504650-64	46.50	2.25	FKM	SIC-1841
OR30004650-08	46.50	3.00	NBR	SIC-1756
OR33004650-41	46.50	3.30	VMQ	SIC-1802
OR35004650-08	46.50	3.50	NBR	SIC-655
OR35004650-67	46.50	3.50	FKM	SIC-1817
OR35304650-D6	46.50	3.53	HNBR	SIC-2347
OR40004650-08	46.50	4.00	NBR	SIC-1896
OR50004650-08	46.50	5.00	NBR	SIC-1554
OR52004650-08	46.50	5.20	NBR	SIC-1288
OR55004650-08	46.50	5.50	NBR	SIC-2245
OR90004650-08	46.50	9.00	NBR	SIC-1978
OR10004660-08	46.60	1.00	NBR	SIB-3153
OR24004660-04	46.60	2.40	NBR	SIC-2140
OR25004660-64	46.60	2.50	FKM	SIC-1874
OR22304670-08	46.70	2.23	NBR	SIC-2317
OR25004670-08	46.70	2.50	NBR	SIC-1463
OR31504670-64	46.70	3.15	FKM	SIC-2285
OR50004670-T2	46.70	5.00	VMQ	SIC-2040
OR26204678-08	46.78	2.62	NBR	SIC-385
OR17804680-08	46.80	1.78	NBR	SIC-1966
OR21004680-08	46.80	2.10	NBR	SIC-1216
OR55004680-08	46.80	5.50	NBR	SIC-1937
OR23804683-BA	46.83	2.38	FKM	SIC-2389
OR26204690-66	46.90	2.62	FKM	SIC-1447
OR18604695-L5	46.95	1.86	PU	POB-284
OR22604695-D5	46.95	2.26	HNBR	SIC-1831
OR22604695-08	46.95	2.26	NBR	SIC-2267
OR22704695-08	46.95	2.27	NBR	SIC-1943
OR53304699-32	46.99	3.00	EPDM	SIC-865
OR53304699-05	46.99	5.33	NBR	SIC-852
OR53304699-05	46.99	5.33	NBR	SIC-827
OR53304699-N8	46.99	5.33	NBR	SIC-961
OR53304699-64	46.99	5.33	FKM	SIC-547
OR53304699-08	46.99	5.33	NBR	SIC-560
OR53304699-55	46.99	5.33	ACM	SIC-2405
OR10004700-08	47.00	1.00	NBR	SIB-493
OR10004700-64	47.00	1.00	FKM	SIB-3135
OR12504700-08	47.00	1.25	NBR	SIB-3031
OR14004700-08	47.00	1.40	NBR	SIB-2083
OR15004700-L5	47.00	1.50	PU	POA-488
OR15004700-08	47.00	1.50	NBR	SIB-2666
OR17504700-08	47.00	1.75	NBR	SIC-425
OR18004700-64	47.00	1.80	FKM	SIC-1993
OR20004700-64	47.00	2.00	FKM	SIC-1083
OR20004700-08	47.00	2.00	NBR	SIC-442
OR20004700-89	47.00	2.00	PU	POB-244
OR20004700-R1	47.00	2.00	FVMQ	SIC-1959
OR23004700-08	47.00	2.30	NBR	SIC-1462
OR25004700-64	47.00	2.50	FKM	SIC-1280
OR25004700-64	47.00	2.50	FKM	SIC-1528
OR25004700-D5	47.00	2.50	HNBR	SIC-834
OR25004700-08	47.00	2.50	NBR	SIC-654
OR26204700-08	47.00	2.62	NBR	SIC-1185
OR26204700-L5	47.00	2.62	PU	POB-256
OR26504700-20	47.00	2.65	CR	SIC-116
OR27504700-08	47.00	2.75	NBR	SIC-1241
OR30004700-08	47.00	3.00	NBR	SIC-511
OR30004700-64	47.00	3.00	FKM	SIC-875
OR30004700-08	47.00	3.00	FKM	SIC-1955
OR35004700-08	47.00	3.50	NBR	SIC-631
OR35004700-T5	47.00	3.50	EPDM	SIC-1659
OR35004700-D6	47.00	3.50	HNBR	SIC-2195

Bold sizes are readily available in stock.
 Other material are available on request.

Part No.	d	c/s	Material	Mould No.
OR35004700-43	47.00	3.50	VMQ	SIC-2232
OR36004700-08	47.00	3.60	NBR	SIC-1543
OR36004700-T2	47.00	3.60	VMQ	SIC-1329
OR37004700-08	47.00	3.70	NBR	SIC-1609
OR37504700-64	47.00	3.75	FKM	SIC-2314
OR40004700-08	47.00	4.00	NBR	SIC-552
OR40004700-46	47.00	4.00	VMQ	SIC-1928
OR45004700-08	47.00	4.50	NBR	SIC-248
OR45004700-O4	47.00	4.50	FKM	SIC-1638
OR50004700-08	47.00	5.00	NBR	SIC-237
OR50004700-08	47.00	5.00	NBR	SIC-200
OR50004700-T5	47.00	5.00	EPDM	SIC-1885
OR53304700-32	47.00	5.33	EPDM	SIC-2354
OR53404700-10	47.00	5.34	NBR	SIC-673
OR56004700-08	47.00	5.60	NBR	SIC-577
OR58004700-11	47.00	5.80	NBR	SIC-1810
OR60004700-10	47.00	6.00	NBR	SIC-107
OR60004700-64	47.00	6.00	FKM	SIC-1914
OR70004700-08	47.00	7.00	NBR	SIC-1569
OR70004700-41	47.00	7.00	VMQ	SIC-2030
OR70004700-04	47.00	7.00	NBR	SIC-2363
OR75004700-08	47.00	7.50	NBR	SIC-1542
OR80004700-08	47.00	8.00	NBR	SIC-2210
OR10004700-08	47.00	10.00	NBR	SIC-1790
OR12004700-08	47.00	12.00	NBR	SIC-2403
OR14004700-10	47.00	14.00	NBR	SIC-2176
OR16004720-64	47.20	1.60	FKM	SIC-2213
OR18004720-08	47.20	1.80	NBR	SIC-1799
OR26204729-08	47.20	2.62	NBR	SIC-1127
OR32004720-20	47.20	3.20	CR	SIC-863
OR35004720-08	47.20	3.50	NBR	SIC-312
OR35504720-08	47.20	3.55	NBR	SIC-1434
OR40004720-L5	47.20	4.00	PU	POB-119
OR40004720-08	47.20	4.00	NBR	SIC-1981
OR50004720-43	47.20	5.00	VMQ	SIC-1812
OR57004720-08	47.20	5.70	NBR	SIC-342
OR33304722-67	47.22	3.33	FKM	SIC-109
OR33304722-08	47.22	3.33	NBR	SIC-664
OR35304722-67	47.22	3.53	FKM	SIC-1235
OR35304722-64	47.22	3.53	FKM	SIC-629
OR35304722-08	47.22	3.53	NBR	SIC-575
OR35304722-11	47.22	3.53	NBR	SIC-1991
OR35304722-66	47.22	3.53	FKM	SIC-2227
OR35304722-30	47.22	3.53	EPDM	SIC-2249
OR26204729-32	47.29	2.62	EPDM	SIC-1588
OR26204729-32	47.29	2.62	EPDM	SIC-1560
OR26204729-87	47.29	2.62	PU	POB-127
OR26204729-08	47.29	2.62	NBR	SIC-563
OR26204729-64	47.29	2.62	FKM	SIC-795
OR26204729-58	47.29	2.62	FVMQ	SIC-2279
OR26204730-05	47.30	2.62	NBR	SIC-2180
OR35004730-08	47.30	3.50	NBR	SIC-2125
OR52504730-R3	47.30	5.25	PU	POB-222
OR55004730-L5	47.30	5.50	PU	POB-297
OR21647340-66	47.34	2.16	FKM	SIC-2009
OR17804735-R3	47.35	1.78	PU	POA-364
OR17804735-64	47.35	1.78	FKM	SIC-1506
OR17804735-64	47.35	1.78	FKM	SIC-1302
OR17804735-64	47.35	1.78	FKM	SIC-1088
OR17804735-45	47.35	1.78	VMQ	SIC-864
OR17804735-08	47.35	1.78	NBR	SIC-570
OR17804735-67	47.35	1.78	FKM	SIC-770
OR17804735-49	47.35	1.78	HNBR	SIC-2155
OR17804735-34	47.35	1.78	EPDM	SIC-2247
OR17804737-L5	47.37	1.78	PU	POB-201
OR17804740-89	47.40	1.78	PU	POB-279
OR31004740-08	47.40	3.10	NBR	SIC-1468
OR36004740-64	47.40	3.60	FKM	SIC-955
OR24504749-64	47.49	2.45	FKM	SIC-1758
OR16004750-64	47.50	1.60	FKM	SIC-1559
OR24004750-64	47.50	2.40	FKM	SIC-1909
OR30004750-08	47.50	3.00	NBR	SIC-2071
OR31504750-64	47.50	3.15	FKM	SIC-1710

Part No.	d	c/s	Material	Mould No.
OR32504750-08	47.50	3.25	NBR	SIC-375
OR35004750-67	47.50	3.50	FKM	SIB-1455
OR35504750-32	47.50	3.55	EPDM	SIB-761
OR35504750-66	47.50	3.55	FKM	SIC-1238
OR35504750-67	47.50	3.55	FKM	SIC-2329
OR53304750-11	47.50	5.33	NBR	SIC-2060
OR62504750-08	47.50	6.25	NBR	SIC-1690
OR65004750-P8	47.50	6.50	HNBR	SIC-937
OR65004750-06	47.50	6.50	NBR	SIC-1523
OR24004760-43	47.60	2.40	VMQ	SIC-1128
OR24004760-08	47.60	2.40	NBR	SIC-276
OR24004760-T5	47.60	2.40	EPDM	SIC-1674
OR25004760-64	47.60	2.50	FKM	SIC-1876
OR25004760-08	47.60	2.50	NBR	SIC-2254
OR27004760-08	47.60	2.70	NBR	SIC-131
OR57004760-64	47.60	5.70	FKM	SIC-755
OR57004760-46	47.60	5.70	VMQ	SIC-1039
OR57004760-43	47.60	5.70	VMQ	SIC-1929
OR58004760-08	47.60	5.80	NBR	SIC-1445
OR15904762-08	47.62	1.59	NBR	SIC-1250
OR23804762-64	47.62	2.38	FKM	SIC-1499
OR23804762-08	47.62	2.38	NBR	SIC-1047
OR31704762-30	47.62	3.17	EPDM	SIC-1477
OR35304762-T9	47.62	3.53	FKM	SIC-1678
OR47604762-08	47.62	4.76	NBR	SIC-677
OR79304762-L5	47.62	7.93	PU	POB-300
OR35304763-S4	47.63	3.53	HNBR	SIC-1788
OR35304763-11	47.63	3.53	NBR	SIC-1751
OR53304763-64	47.63	5.33	FKM	SIC-2172
OR47504770-66	47.70	4.75	FKM	SIC-311
OR35304772-08	47.72	3.53	NBR	SIC-564
OR15004775-64	47.75	1.50	FKM	SIC-1431
OR30204778-64	47.78	3.02	FKM	SIC-2260
OR12504780-64	47.80	1.25	FKM	SIC-1651
OR36004780-10	47.80	3.60	NBR	SIC-1533
OR10004800-64	48.00	1.00	FKM	SIB-3015
OR10004800-43	48.00	1.00	VMQ	SIB-3132
OR12004800-08	48.00	1.20	NBR	SIC-1562
OR12004800-T2	48.00	1.20	VMQ	SIC-2122
OR15004800-08	48.00	1.50	NBR	SIC-217
OR17504800-08	48.00	1.75	NBR	SIC-272
OR18004800-64	48.00	1.80	FKM	SIC-1745
OR20004800-64	48.00	2.00	FKM	SIC-1343
OR20004800-08	48.00	2.00	NBR	SIC-682
OR24004800-T9	48.00	2.40	FKM	SIC-1863
OR25004800-66	48.00	2.50	FKM	SIC-1205
OR25004800-08	48.00	2.50	NBR	SIC-569
OR25004800-08	48.00	2.50	NBR	SIC-829
OR25004800-64	48.00	2.50	FKM	SIC-2224
OR26204800-08	48.00	2.62	NBR	SIC-1195
OR30004800-08	48.00	3.00	NBR	SIC-798
OR30004800-08	48.00	3.00	NBR	SIC-282
OR30004800-64	48.00	3.00	FKM	SIC-589
OR30004800-08	48.00	3.00	NBR	SIC-635
OR31504800-10	48.00	3.15	NBR	SIC-2406
OR32004800-64	48.00	3.20	FKM	SIC-861
OR35004800-64	48.00	3.50	FKM	SIC-661
OR35004800-08	48.00	3.50	NBR	SIC-259
OR37504800-08	48.00	3.75	NBR	SIC-163
OR40004800-59	48.00	4.00	PU	POB-240
OR40004800-64	48.00	4.00	FKM	SIC-1509
OR40004800-32	48.00	4.00	EPDM	SIC-1518
OR40004800-08	48.00	4.00	NBR	SIC-457
OR45004800-08	48.00	4.50	NBR	SIC-1337
OR50004800-34	48.00	5.00	EPDM	SIC-1144
OR50004800-08	48.00	5.00	NBR	SIC-490
OR50004800-66	48.00	5.00	FKM	SIC-951
OR50004800-64	48.00	5.00	FKM	SIC-2225
OR53004800-08	48.00	5.30	NBR	SIC-1553
OR53304800-64	48.00	5.33	FKM	SIC-939
OR54004800-08	48.00	5.40	NBR	SIC-2336
OR55004800-64	48.00	5.50	FKM	SIC-1132
OR60004800-08	48.00	6.00	NBR	SIC-236

Bold sizes are readily available in stock.
Other material are available on request.

Part No.	d	c/s	Material	Mould No.
OR60004800-43	48.00	6.00	VMQ	SIC-1688
OR60004800-04	48.00	6.00	NBR	SIC-2361
OR65004800-06	48.00	6.50	NBR	SIC-2332
OR70004800-08	48.00	7.00	NBR	SIC-672
OR70004800-43	48.00	7.00	VMQ	SIC-2373
OR75004800-29	48.00	7.50	EPDM	SIC-2056
OR80004800-T2	48.00	8.00	VMQ	SIC-2022
OR85004800-08	48.00	8.50	NBR	SIC-1605
OR90004800-64	48.00	9.00	FKM	SIC-1901
OR10004800-D5	48.00	10.00	HNBR	SIC-2248
OR10504800-10	48.00	10.50	NBR	SIC-1370
OR11504800-08	48.00	11.50	NBR	SIC-1602
OR12004800-08	48.00	12.00	NBR	SIC-2078
OR16004810-64	48.10	1.60	FKM	SIC-2174
OR18004820-08	48.20	1.80	NBR	SIC-1479
OR24004820-08	48.20	2.40	NBR	SIC-1906
OR31704826-08	48.26	3.17	NBR	SIC-1338
OR75004830-10	48.30	7.50	NBR	SIC-1629
OR20004850-08	48.50	2.00	NBR	SIC-1311
OR20004850-64	48.50	2.00	FKM	SIC-1843
OR25004850-66	48.50	2.50	FKM	SIC-1206
OR27004850-64	48.50	2.70	FKM	SIC-1261
OR30004850-L5	48.50	3.00	PU	POB-260
OR33204850-08	48.50	3.32	NBR	SIC-1466
OR35004850-64	48.50	3.50	FKM	SIC-1106
OR35004850-08	48.50	3.50	NBR	SIC-1149
OR37004850-08	48.50	3.70	NBR	SIC-419
OR40004850-43	48.50	4.00	VMQ	SIC-1101
OR50004850-43	48.50	5.00	VMQ	SIC-1886
OR55004850-R1	48.50	5.50	FVMQ	SIC-2218
OR17804860-08	48.60	1.78	NBR	SIC-2348
OR18004860-08	48.60	1.80	NBR	SIC-260
OR57004860-08	48.60	5.70	NBR	SIC-1698
OR37704862-08	48.62	3.77	NBR	SIC-1941
OR38104864-08	48.64	3.81	NBR	SIC-566
OR35004870-08	48.70	3.50	NBR	SIC-662
OR35004870-T5	48.70	3.50	EPDM	SIC-2342
OR35504870-64	48.70	3.55	FKM	SIC-1029
OR35504870-08	48.70	3.55	NBR	SIC-1027
OR48004870-64	48.70	4.80	FKM	SIC-2041
OR53304870-Z1	48.70	5.33	NBR	SIC-1400
OR27504875-66	48.75	2.75	FKM	SIC-2242
OR26204876-08	48.76	2.62	NBR	SIC-1256
OR31004880-64	48.80	3.10	FKM	SIC-1064
OR31004880-10	48.80	3.10	NBR	SIC-1703
OR33004880-08	48.80	3.30	NBR	SIC-2187
OR53004880-08	48.80	5.30	NBR	SIC-842
OR26204889-S4	48.89	2.62	HNBR	SIC-1787
OR26204890-L5	48.90	2.62	PU	POB-210
OR26204890-64	48.90	2.62	FKM	SIC-1052
OR26204890-08	48.90	2.62	NBR	SIC-472
OR26204890-L3	48.90	2.62	AFLAS	SIC-2364
OR26204896-49	48.90	2.62	HNBR	SIC-2131
OR35004890-08	48.90	3.50	NBR	SIC-1332
OR10004900-08	49.00	1.00	NBR	SIC-1849
OR15004900-08	49.00	1.50	NBR	SIC-568
OR15004900-43	49.00	1.50	VMQ	SIC-1815
OR17804900-64	49.00	1.78	FKM	SIC-1890
OR18004900-08	49.00	1.80	NBR	SIC-238
OR18004900-64	49.00	1.80	FKM	SIC-2295
OR20004900-64	49.00	2.00	FKM	SIC-1126
OR20004900-08	49.00	2.00	NBR	SIC-730
OR25004900-64	49.00	2.50	FKM	SIC-1346
OR25004900-08	49.00	2.50	NBR	SIC-650
OR26204900-08	49.00	2.62	NBR	SIC-1323
OR30004900-T5	49.00	3.00	EPDM	SIC-1594
OR30004900-64	49.00	3.00	FKM	SIC-318
OR30004900-08	49.00	3.00	NBR	SIC-905
OR30004900-08	49.00	3.00	NBR	SIC-417
OR33004900-08	49.00	3.30	NBR	SIC-622
OR34504900-64	49.00	3.45	FKM	SIC-1070
OR35004900-08	49.00	3.50	NBR	SIC-361
OR35004900-32	49.00	3.50	EPDM	SIC-1670

Part No.	d	c/s	Material	Mould No.
OR35004900-06	49.00	3.50	NBR	SIC-2164
OR35004900-64	49.00	3.50	FKM	SIC-2138
OR37804900-64	49.00	3.78	FKM	SIC-2294
OR38004900-20	49.00	3.80	CR	SIC-2095
OR40004900-66	49.00	4.00	FKM	SIC-1373
OR40004900-64	49.00	4.00	FKM	SIC-889
OR40004900-08	49.00	4.00	NBR	SIC-695
OR40004900-49	49.00	4.00	HNBR	SIC-2300
OR46004900-08	49.00	4.60	NBR	SIC-1045
OR47004900-64	49.00	4.70	FKM	SIC-1444
OR50004900-67	49.00	5.00	FKM	SIC-888
OR50004900-08	49.00	5.00	NBR	SIC-791
OR55004900-08	49.00	5.50	NBR	SIC-159
OR57004900-59	49.00	5.70	PU	POB-208
OR60004900-08	49.00	6.00	NBR	SIC-499
OR65004900-05	49.00	6.50	NBR	SIC-826
OR66004900-08	49.00	6.60	NBR	SIC-1236
OR70004900-08	49.00	7.00	NBR	SIC-1527
OR30104903-R1	49.03	3.01	FVMQ	SIC-1960
OR27004910-59	49.10	2.70	PU	POB-165
OR58004910-08	49.10	5.80	NBR	SIC-918
OR16004920-64	49.20	1.60	FKM	SIC-2214
OR18004900-66	49.20	1.80	FKM	SIC-2147
OR24004920-08	49.20	2.40	NBR	SIC-330
OR25404920-08	49.20	2.54	NBR	SIC-1759
OR28004920-08	49.20	2.80	NBR	SIC-1894
OR32004920-08	49.20	3.20	NBR	SIB-706
OR34004920-08	49.20	3.40	NBR	SIC-960
OR34004920-R1	49.20	3.40	FVMQ	SIC-2219
OR35304920-D5	49.20	3.53	HNBR	SIC-1683
OR37004920-08	49.20	3.70	NBR	SIC-1760
OR57004920-08	49.20	5.70	NBR	SIC-378
OR35304921-64	49.21	3.53	FKM	SIC-2142
OR53404930-08	49.30	5.34	NBR	SIC-697
OR57004930-64	49.30	5.70	FKM	SIC-1420
OR57004930-R1	49.30	5.70	VMQ	SIC-2253
OR31004940-43	49.40	3.10	VMQ	SIC-1207
OR31004940-67	49.40	3.10	FKM	SIC-1183
OR31004940-08	49.40	3.10	NBR	SIC-804
OR31004940-59	49.40	3.10	PU	POB-286
OR50004940-08	49.40	5.00	NBR	SIC-448
OR45304945-64	49.45	4.53	FKM	SIC-1257
OR14004950-08	49.50	1.40	NBR	SIC-1364
OR17204950-08	49.50	1.72	NBR	SIC-1287
OR20004950-08	49.50	2.00	NBR	SIC-1426
OR25004950-08	49.50	2.50	NBR	SIC-1245
OR2504950-08	49.50	2.50	HNBR	SIC-1379
OR30004950-08	49.50	3.00	NBR	SIC-422
OR30004950-R1	49.50	3.00	FVMQ	SIC-1658
OR30004950-41	49.50	3.00	VMQ	SIC-1801
OR31704950-11	49.50	3.17	NBR	SIC-667
OR35004950-08	49.50	3.50	NBR	SIC-121
OR38004950-20	49.50	3.80	CR	SIC-105
OR40004950-08	49.50	4.00	NBR	SIC-1461
OR40004950-64	49.50	4.00	FKM	SIC-1395
OR40004950-64	49.50	4.00	FKM	SIC-1814
OR45004950-08	49.50	4.50	NBR	SIC-447
OR52504950-64	49.50	5.25	FKM	SIC-1425
OR24004960-75	49.60	2.40	AFLAS	SIC-2350
OR57004960-08	49.60	5.70	NBR	SIC-591
OR57004960-64	49.60	5.70	FKM	SIC-1869
OR35004969-64	49.69	3.50	FKM	SIC-1071
OR25004970-32	49.70	2.50	EPDM	SIC-2379
OR35004970-10	49.70	3.50	NBR	SIC-1624
OR35004970-32	49.70	3.50	EPDM	SIC-2383
OR53304970-T2	49.70	5.33	VMQ	SIC-2340
OR28304971-64	49.71	2.83	FKM	SIC-796
OR26204976-64	49.76	2.62	FKM	SIC-2062
OR52004980-08	49.80	5.20	NBR	SIC-1224
OR52004980-32	49.80	5.20	EPDM	SIC-1598
OR65004980-10	49.80	6.50	NBR	SIC-1715
OR53304984-64	49.84	5.33	FKM	SIC-1117
OR17504990-64	49.90	1.75	FKM	SIC-2392

Bold sizes are readily available in stock.
 Other material are available on request.

Part No.	d	c/s	Material	Mould No.
OR22004990-64	49.90	2.20	FKM	SIC-1021
OR21504995-66	49.95	2.15	FKM	SIC-790
OR26204995-20	49.95	2.62	CR	SIC-2074
OR10005000-66	50.00	1.00	FKM	SIC-1180
OR10005000-08	50.00	1.00	NBR	SIC-299
OR11005000-32	50.00	1.10	EPDM	SIC-2268
OR12005000-08	50.00	1.20	NBR	SIC-1732
OR13005000-64	50.00	1.30	FKM	SIC-871
OR15005000-08	50.00	1.50	NBR	SIC-909
OR15005000-64	50.00	1.50	FKM	SIC-1546
OR17805000-10	50.00	1.78	NBR	SIC-1416
OR20005000-64	50.00	2.00	FKM	SIC-996
OR20005000-08	50.00	2.00	NBR	SIC-194
OR22005000-08	50.00	2.20	NBR	SIC-1566
OR23005000-08	50.00	2.30	NBR	SIC-1565
OR24005000-T9	50.00	2.40	FKM	SIC-2016
OR25005000-08	50.00	2.50	NBR	SIC-1151
OR25005000-64	50.00	2.50	FKM	SIC-814
OR25005000-64	50.00	2.50	FKM	SIC-1274
OR25005000-08	50.00	2.50	NBR	SIC-339
OR26005000-08	50.00	2.60	NBR	SIC-1549
OR27805000-08	50.00	2.78	NBR	SIC-1360
OR30005000-L5	50.00	3.00	PU	POB-102
OR30005000-64	50.00	3.00	FKM	SIC-1178
OR30005000-67	50.00	3.00	FKM	SIC-930
OR30005000-08	50.00	3.00	NBR	SIC-657
OR31505000-64	50.00	3.15	FKM	SIC-932
OR31705000-08	50.00	3.17	NBR	SIC-531
OR32005000-11	50.00	3.20	NBR	SIC-1957
OR33005000-67	50.00	3.30	FKM	SIC-1276
OR33005000-08	50.00	3.30	NBR	SIC-2186
OR35005000-08	50.00	3.50	NBR	SIC-148
OR35005000-64	50.00	3.50	FKM	SIC-997
OR35005000-R3	50.00	3.50	PU	POB-231
OR35005000-64	50.00	3.50	FKM	SIC-1237
OR35305000-43	50.00	3.53	VMQ	SIC-1130
OR37505000-08	50.00	3.75	NBR	SIC-1827
OR37505000-43	50.00	3.75	VMQ	SIC-2400
OR38005000-64	50.00	3.80	FKM	SIC-2159
OR40005000-64	50.00	4.00	FKM	SIC-988
OR40005000-08	50.00	4.00	NBR	SIC-294
OR40005000-41	50.00	4.00	VMQ	SIC-1735
OR42505000-64	50.00	4.25	FKM	SIC-1513
OR43005000-41	50.00	4.30	VMQ	SIC-1773
OR44005000-32	50.00	4.40	EPDM	SIC-2386
OR45005000-08	50.00	4.50	NBR	SIC-441
OR47005000-08	50.00	4.70	NBR	SIC-381
OR50005000-08	50.00	5.00	NBR	SIC-150
OR50005000-64	50.00	5.00	FKM	SIC-1319
OR50005000-08	50.00	5.00	NBR	SIC-898
OR50005000-67	50.00	5.00	FKM	SIC-958
OR53005000-06	50.00	5.30	NBR	SIC-1677
OR53305000-L5	50.00	5.33	PU	POB-234
OR54005000-08	50.00	5.40	NBR	SIC-2077
OR55005000-08	50.00	5.50	NBR	SIC-1459
OR60005000-08	50.00	6.00	NBR	SIC-115
OR60005000-64	50.00	6.00	FKM	SIC-1873
OR60005000-04	50.00	6.00	NBR	SIC-2362
OR63005000-64	50.00	6.30	FKM	SIC-1540
OR66005000-08	50.00	6.60	NBR	SIC-553
OR66005000-64	50.00	6.60	FKM	SIC-1888
OR67505000-08	50.00	6.75	NBR	SIC-848
OR70005000-08	50.00	7.00	NBR	SIC-1137
OR70005000-64	50.00	7.00	FKM	SIC-2237
OR75005000-08	50.00	7.50	NBR	SIC-108
OR70005300-64	50.00	10.00	FKM	SIC-1384
OR80005000-08	50.00	8.00	NBR	SIC-2234
OR10005000-43	50.00	10.00	VMQ	SIC-1100
OR12005000-08	50.00	12.00	NBR	SIC-801
OR12505000-T2	50.00	12.50	VMQ	SIC-2325
OR21005010-64	50.10	2.10	FKM	SIC-1075
OR22605013-08	50.13	2.26	NBR	SIC-1934
OR22550150-67	50.15	2.25	FKM	SIC-1836

Part No.	d	c/s	Material	Mould No.
OR35305017-18	50.17	3.53	CR	SIC-904
OR53305017-08	50.17	5.33	NBR	SIC-395
OR53305017-64	50.17	5.33	FKM	SIC-651
OR53305017-BO	50.17	5.33	FKM	SIC-1769
OR53305017-11	50.17	5.33	NBR	SIC-2027
OR17005020-08	50.20	1.70	NBR	SIC-222
OR52005020-L5	50.20	5.20	PU	POB-213
OR56305033-08	50.33	5.63	NBR	SIC-915
OR25005039-64	50.39	2.50	FKM	SIC-1664
OR33305039-08	50.39	3.33	NBR	SIC-1141
OR35305039-08	50.39	3.53	NBR	SIC-1314
OR35305039-64	50.39	3.53	FKM	SIC-781
OR35305039-08	50.39	3.53	NBR	SIC-738
OR35305039-64	50.39	3.53	FKM	SIC-778
OR53305039-64	50.39	5.33	FKM	SIC-813
OR52005040-20	50.40	2.00	CR	SIC-1586
OR30005040-43	50.40	3.00	VMQ	SIC-1115
OR35005040-08	50.40	3.50	NBR	SIC-321
OR26205047-64	50.47	2.62	FKM	SIC-1160
OR26205047-08	50.47	2.62	NBR	SIC-567
OR26205047-89	50.47	2.62	PU	POB-302
OR10005050-08	50.50	1.00	NBR	SIC-2292
OR24005050-08	50.50	2.40	NBR	SIC-1871
OR50005050-08	50.50	5.00	NBR	SIC-298
OR17805052-64	50.52	1.78	FKM	SIC-1492
OR17805052-08	50.52	1.78	NBR	SIC-584
OR17805052-08	50.52	1.78	NBR	SIC-1768
OR58005060-L5	50.60	5.80	PU	POB-218
OR50005075-L5	50.75	5.00	PU	POB-248
OR16005080-08	50.80	1.60	NBR	SIC-285
OR16005080-R1	50.80	1.60	FVMQ	SIC-1763
OR18005080-64	50.80	1.80	FKM	SIC-1539
OR21005080-64	50.80	2.10	FKM	SIC-1375
OR24005080-08	50.80	2.40	NBR	SIC-421
OR26205080-26	50.80	2.62	FKM	SIC-2346
OR30005080-08	50.80	3.00	NBR	SIC-1951
OR15105247-D5	50.80	6.98	HNBR	SIC-1686
OR31805080-10	50.80	3.18	NBR	SIC-1655
OR32005080-08	50.80	3.20	NBR	SIC-180
OR34805080-R3	50.80	3.48	PU	POB-223
OR35005080-L5	50.80	3.50	PU	POB-298
OR35305080-08	50.80	3.53	NBR	SIC-931
OR35305080-D5	50.80	3.53	HNBR	SIC-1694
OR47605080-43	50.80	4.76	VMQ	SIC-1380
OR47605080-08	50.80	4.76	NBR	SIC-300
OR55005080-08	50.80	5.50	NBR	SIC-362
OR63505080-08	50.80	6.35	NBR	SIC-126
OR17805092-08	50.92	1.78	NBR	SIC-820
OR19005095-64	50.95	1.90	FKM	SIC-1069
OR10005100-39	51.00	1.00	VMQ	SIC-1643
OR14005100-64	51.00	1.40	FKM	SIC-869
OR15005100-08	51.00	1.50	NBR	SIC-1635
OR16005100-08	51.00	1.60	NBR	SIC-884
OR17805100-08	51.00	1.78	NBR	SIC-1358
OR20005100-08	51.00	2.00	NBR	SIC-1618
OR20005100-64	51.00	2.00	FKM	SIC-618
OR20005100-R1	51.00	2.00	FVMQ	SIC-2182
OR24005100-08	51.00	2.40	NBR	SIC-1743
OR25005100-08	51.00	2.50	NBR	SIC-1187
OR25005100-43	51.00	2.50	VMQ	SIC-980
OR26005100-66	51.00	2.60	FKM	SIC-1355
OR26205100-08	51.00	2.62	NBR	SIC-1324
OR28005100-08	51.00	2.80	NBR	SIC-110
OR30005100-08	51.00	3.00	NBR	SIC-1145
OR30005100-64	51.00	3.00	FKM	SIC-947
OR30005100-08	51.00	3.00	NBR	SIC-734
OR30005100-43	51.00	3.00	VMQ	SIC-2356
OR35005100-64	51.00	3.50	FKM	SIC-925
OR35005100-08	51.00	3.50	NBR	SIC-219
OR37005100-08	51.00	3.70	NBR	SIC-1519
OR40005100-08	51.00	4.00	NBR	SIC-636
OR40005100-64	51.00	4.00	FKM	SIC-2223
OR45005100-08	51.00	4.50	NBR	SIC-1305

Bold sizes are readily available in stock.
Other material are available on request.

Part No.	d	c/s	Material	Mould No.
OR45005100-64	51.00	4.50	FKM	SIC-420
OR50005100-08	51.00	5.00	NBR	SIC-315
OR50005100-66	51.00	5.00	FKM	SIC-1958
OR53505100-08	51.00	5.35	NBR	SIC-516
OR55005100-64	51.00	5.50	FKM	SIC-1915
OR60005100-64	51.00	6.00	FKM	SIC-1472
OR60005100-08	51.00	6.00	NBR	SIC-495
OR75005100-08	51.00	7.50	NBR	SIC-2258
OR80005100-08	51.00	8.00	NBR	SIC-1848
OR80005100-41	51.00	8.00	VMQ	SIC-2021
OR10005100-08	51.00	10.00	NBR	SIC-2018
OR57005120-08	51.20	5.70	NBR	SIC-1255
OR18005140-66	51.40	1.80	FKM	SIC-924
OR58005140-67	51.40	5.80	FKM	SIC-959
OR26205147-08	51.47	2.62	NBR	SIC-1534
OR12705149-10	51.49	12.70	NBR	SID-1470
OR10005150-28	51.50	1.00	EPDM	SIC-2177
OR20005150-08	51.50	2.00	NBR	SIC-715
OR25005150-D5	51.50	2.50	HNBR	SIC-1804
OR25005150-08	51.50	2.50	NBR	SIC-1913
OR26205150-T2	51.50	2.62	VMQ	SIC-1676
OR30005150-08	51.50	3.00	NBR	SIC-1636
OR35005150-08	51.50	3.50	NBR	SIC-157
OR40005150-08	51.50	4.00	NBR	SIC-310
OR45005150-64	51.50	4.50	FKM	SIC-1275
OR50005150-08	51.50	5.00	NBR	SIC-1320
OR16005160-08	51.60	1.60	NBR	SIC-1990
OR24005160-08	51.60	2.40	NBR	SIC-717
OR24005160-T2	51.60	2.40	VMQ	SIC-1649
OR27005160-66	51.60	2.70	FKM	SIC-792
OR35505165-64	51.65	3.55	FKM	SIC-1073
OR26505170-11	51.70	2.65	NBR	SIC-1393
OR69905177-08	51.77	6.99	NBR	SIC-1317
OR37705179-08	51.79	3.77	HNBR	SIC-1361
OR37705180-08	51.80	3.77	NBR	SIC-1940
OR10005200-66	52.00	1.00	FKM	SIC-831
OR10005200-08	52.00	1.00	NBR	SIC-510
OR15005200-08	52.00	1.50	NBR	SIC-974
OR15005200-64	52.00	1.50	FKM	SIC-1537
OR15005200-08	52.00	1.50	NBR	SIC-1301
OR17005200-08	52.00	1.70	NBR	SIC-1633
OR18005200-08	52.00	1.80	NBR	SIC-1657
OR20005200-64	52.00	2.00	FKM	SIC-1020
OR20005200-08	52.00	2.00	NBR	SIC-234
OR20005200-J3	52.00	2.00	Butyl Rubber	SIC-1780
OR25005200-64	52.00	2.50	FKM	SIC-1063
OR25005200-32	52.00	2.50	EPDM	SIC-273
OR25005200-08	52.00	2.50	NBR	SIC-1501
OR25005200-43	52.00	2.50	VMQ	SIC-2171
OR30005200-08	52.00	3.00	NBR	SIC-122
OR30005200-64	52.00	3.00	FKM	SIC-912
OR32005200-08	52.00	3.20	NBR	SIC-431
OR32505200-64	52.00	3.25	FKM	SIC-725
OR35005200-08	52.00	3.50	NBR	SIC-689
OR35005200-64	52.00	3.50	FKM	SIC-724
OR35005200-08	52.00	3.50	NBR	SIC-1397
OR35005200-08	52.00	3.50	NBR	SIC-2126
OR40005200-64	52.00	4.00	FKM	SIC-1119
OR40005200-08	52.00	4.00	NBR	SIC-624
OR45005200-08	52.00	4.50	NBR	SIC-721
OR45005200-32	52.00	4.50	EPDM	SIC-1660
OR50005200-08	52.00	5.00	NBR	SIC-188
OR50005200-64	52.00	5.00	FKM	SIC-2284
OR53005200-08	52.00	5.30	NBR	SIC-379
OR53305200-64	52.00	5.33	FKM	SIC-1281
OR55005200-08	52.00	5.50	NBR	SIC-175
OR60005200-08	52.00	6.00	NBR	SIC-412
OR60005200-43	52.00	6.00	VMQ	SIC-1891
OR65005200-32	52.00	6.50	EPDM	SIC-1406
OR70005200-08	52.00	7.00	NBR	SIC-1577
OR80005200-08	52.00	8.00	NBR	SIC-2339
OR95005200-08	52.00	9.50	NBR	SIC-348
OR10005200-08	52.00	10.00	NBR	SIC-1204

Part No.	d	c/s	Material	Mould No.
OR12005200-08	52.00	12.00	NBR	SID-1834
OR26205207-64	52.07	2.62	FKM	SIC-1084
OR26205207-08	52.07	2.62	NBR	SIC-561
OR20005220-08	52.20	2.00	NBR	SIC-1797
OR65005220-U2	52.20	6.50	FKM	SIC-1408
OR17805230-32	52.30	1.78	EPDM	SIC-2090
OR57005230	52.30	5.70	NBR	SIC-502
OR57005230-R1	52.30	5.70	FVMQ	SIC-2001
OR17805233-64	52.33	1.78	FKM	SIC-1689
OR35305238-64	52.38	3.53	FKM	SIC-2141
OR35305239-32	52.39	3.53	EPDM	SIC-1300
OR24005240-08	52.40	2.40	NBR	SIC-504
OR25005240-08	52.40	2.50	NBR	SIC-1912
OR25005240-64	52.40	2.50	FKM	SIC-1877
OR35305240-32	52.40	3.53	EPDM	SIC-1348
OR35305240-T9	52.40	3.53	FKM	SIC-2026
OR17805250-89	52.50	1.78	PU	POB-217
OR25005250-08	52.50	2.50	NBR	SIC-983
OR28505250-08	52.50	2.85	NBR	SIC-1271
OR35005250-04	52.50	3.50	NBR	SIC-2051
OR37505250-08	52.50	3.75	NBR	SIC-496
OR55005250-10	52.50	5.50	NBR	SIC-1004
OR53305252-32	52.52	5.33	EPDM	SIC-1967
OR23805262-08	52.62	2.38	NBR	SIC-1159
OR04535262-64	52.62	4.53	FKM	SIC-1208
OR26205272-64	52.72	2.62	FKM	SIC-1179
OR24752730-64	52.73	2.47	NBR	SIC-2236
OR63505273-D6	52.73	6.35	HNBR	SIC-2198
OR22005280-08	52.80	2.20	NBR	SIC-1739
OR24005280-64	52.80	2.40	FKM	SIC-1910
OR53305280-08	52.80	5.33	NBR	SIC-1233
OR55005280-08	52.80	5.50	NBR	SIC-304
OR38505285-30	52.85	3.85	EPDM	SIC-1464
OR10005300-08	53.00	1.00	NBR	SIC-1640
OR10005300-43	53.00	1.00	VMQ	SIC-2197
OR15005300-08	53.00	1.50	NBR	SIC-550
OR17505300-08	53.00	1.75	NBR	SIC-1214
OR18005300-08	53.00	1.80	NBR	SIC-1359
OR20005300-66	53.00	2.00	FKM	SIC-1081
OR20005300-08	53.00	2.00	NBR	SIC-741
OR20005300-64	53.00	2.00	FKM	SIC-1866
OR24005300-32	53.00	2.40	EPDM	SIC-2054
OR25005300-08	53.00	2.50	NBR	SIC-897
OR25005300-08	53.00	2.50	NBR	SIC-255
OR25005300-64	53.00	2.50	FKM	SIC-2019
OR25005300-41	53.00	2.50	VMQ	SIC-2393
OR26005300-R1	53.00	2.60	FVMQ	SIC-2220
OR26505300-08	53.00	2.65	NBR	SIC-1608
OR27005300-08	53.00	2.70	NBR	SIC-437
OR30005300-T9	53.00	3.00	FKM	SIC-1048
OR30005300-08	53.00	3.00	NBR	SIC-142
OR35005300-08	53.00	3.50	NBR	SIC-215
OR35005300-64	53.00	3.50	FKM	SIC-1193
OR35005300-L5	53.00	3.50	PU	POB-262
OR35505300-08	53.00	3.55	NBR	SIC-1211
OR36205300-64	53.00	3.62	FKM	SIC-1322
OR40005300-08	53.00	4.00	NBR	SIC-688
OR40005300-64	53.00	4.00	FKM	SIC-1646
OR50005300-08	53.00	5.00	NBR	SIC-308
OR50005300-L5	53.00	5.00	PU	POB-253
OR50005300-67	53.00	5.00	FKM	SIC-2085
OR53005300-32	53.00	5.30	EPDM	SIC-1729
OR55005300-08	53.00	5.50	NBR	SIC-164
OR60005300-08	53.00	6.00	NBR	SIC-155
OR60005300-D6	53.00	6.00	HNBR	SIC-2298
OR65005300-08	53.00	6.50	NBR	SIC-1701
OR70005300-08	53.00	7.00	NBR	SIC-1956
OR10005300-08	53.00	10.00	NBR	SIC-1284
OR11005300-07	53.00	11.00	NBR	SIC-1705
OR12005300-06	53.00	12.00	NBR	SIC-1478
OR12005300-08	53.00	12.00	NBR	SID-1579
OR38005303-08	53.03	3.80	NBR	SIC-1303
OR25005306-D5	53.06	2.50	HNBR	SIC-835

Bold sizes are readily available in stock.
 Other material are available on request.

Part No.	d	c/s	Material	Mould No.
OR80005309-08	53.09	8.00	NBR	SIC-1228
OR80005309-08	53.09	8.00	NBR	SIC-753
OR53305310-43	53.10	5.33	VMQ	SIC-957
OR20005320-08	53.20	2.00	NBR	SIC-1798
OR24005320-64	53.20	2.40	FKM	SIC-940
OR40005327-L5	53.27	4.00	PU	POB-292
OR22853280-64	53.28	2.28	FKM	SIC-2053
OR22605329-08	53.29	2.26	NBR	SIC-1985
OR17805330-11	53.30	1.78	NBR	SIC-446
OR22705330-08	53.30	2.27	NBR	SIC-1936
OR30005330-08	53.30	3.00	NBR	SIC-979
OR50005330-64	53.30	5.00	FKM	SIC-1826
OR53305334-87	53.34	5.33	PU	POB-172
OR53305334-T5	53.34	5.33	EPDM	SIC-1465
OR53305334-08	53.34	5.33	NBR	SIC-324
OR53305334-64	53.34	5.33	FKM	SIC-613
OR53405334-45	53.34	5.34	VMQ	SIC-1096
OR71405336-43	53.36	7.14	VMQ	SIC-2055
OR20005340-64	53.40	2.00	FKM	SIC-1837
OR25005340-08	53.40	2.50	NBR	SIC-1807
OR25005340-64	53.40	2.50	FKM	SIC-1875
OR58005340-08	53.40	5.80	NBR	SIC-2319
OR15005350-08	53.50	1.50	NBR	SIC-1832
OR20005350-S6	53.50	2.00	NBR	SIC-1779
OR28005350-08	53.50	2.80	NBR	SIC-593
OR28005350-64	53.50	2.80	FKM	SIC-1883
OR30005350-06	53.50	3.00	NBR	SIC-1988
OR35005350-64	53.50	3.50	FKM	SIC-1949
OR40005350-08	53.50	4.00	NBR	SIC-325
OR46005350-10	53.50	4.60	NBR	SIC-1544
OR53305350-67	53.50	5.33	FKM	SIC-706
OR35305357-32	53.57	3.53	EPDM	SIC-1557
OR35305357-32	53.57	3.53	EPDM	SIC-1567
OR35305357-64	53.57	3.53	FKM	SIC-794
OR35305357-08	53.57	3.53	NBR	SIC-559
OR35305357-L3	53.57	3.53	AFLAS	SIC-1973
OR35305357-49	53.57	3.53	HNBR	SIC-2152
OR26205359-L5	53.59	2.62	PU	POB-271
OR20005360-64	53.60	2.00	FKM	SIC-2212
OR26205364-08	53.64	2.62	NBR	SIC-1377
OR26205364-08	53.64	2.62	NBR	SIC-543
OR26205364-64	53.64	2.62	FKM	SIC-966
OR26205364-35	53.64	2.62	EPDM	SIC-2011
OR26205365-87	53.65	2.62	PU	POB-291
OR17805367-39	53.67	1.78	VMQ	SIC-2309
OR17805370-64	53.70	1.78	FKM	SIC-1504
OR17805370-08	53.70	1.78	NBR	SIC-956
OR17805370-32	53.70	1.78	EPDM	SIC-922
OR17805370-08	53.70	1.78	NBR	SIC-440
OR17805370-11	53.70	1.78	NBR	SIC-2216
OR18005370-08	53.70	1.80	NBR	SIC-1357
OR36705370-08	53.70	3.67	NBR	SIC-1904
OR40005374-64	53.74	4.00	FKM	SIC-630
OR35005375-L5	53.75	3.50	PU	POB-293
OR37505375-08	53.75	3.75	NBR	SIC-2371
OR22005380-08	53.80	2.20	NBR	SIC-1737
OR25505380-L5	53.80	2.55	PU	POB-212
OR31005380-08	53.80	3.10	NBR	SIC-1200
OR31005380-64	53.80	3.10	FKM	SIC-764
OR35605394-08	53.94	3.56	NBR	SIC-2086
OR25005397-64	53.97	2.50	FKM	SIC-1264
OR47605397-08	53.97	4.76	NBR	SIC-1299
OR63505397-11	53.97	6.35	NBR	SIC-1382
OR31805398-64	53.98	3.18	FKM	SIC-2263
OR35305398-06	53.98	3.53	NBR	SIC-2160
OR15005400-43	54.00	1.50	VMQ	SIC-371
OR15005400-08	54.00	1.50	NBR	SIC-1776
OR15005400-20	54.00	1.50	CR	SIC-2274
OR18005400-32	54.00	1.80	EPDM	SIC-1613
OR18005400-08	54.00	1.80	NBR	SIC-1835
OR20005400-64	54.00	2.00	FKM	SIC-1556
OR20005400-08	54.00	2.00	NBR	SIC-488
OBU054690-L5	54.00	1.30	PU	POB-211

Part No.	d	c/s	Material	Mould No.
OR23005400-08	54.00	2.30	NBR	SIC-1547
OR25005400-10	54.00	2.50	NBR	SIC-929
OR25005400-08	54.00	2.50	NBR	SIC-1865
OR25005400-32	54.00	2.50	EPDM	SIC-2165
OR26005400-08	54.00	2.60	NBR	SIC-1244
OR26205400-59	54.00	2.62	PU	POB-168
OR28005400-08	54.00	2.80	NBR	SIC-2355
OR30005400-59	54.00	3.00	PU	POB-128
OR30005400-11	54.00	3.00	NBR	SIC-1315
OR300054000-08	54.00	3.00	NBR	SIC-883
OR30005400-08	54.00	3.00	NBR	SIC-353
OR30005400-64	54.00	3.00	FKM	SIC-554
OR32005400-08	54.00	3.20	NBR	SIC-307
OR33005400-08	54.00	3.30	NBR	SIC-106
OR35005400-08	54.00	3.50	NBR	SIC-145
OR35005400-08	54.00	3.50	NBR	SIC-1054
OR35305398-CM	54.00	3.53	FKM	SIC-1172
OR35305400-87	54.00	3.53	PU	POB-259
OR40005400-64	54.00	4.00	FKM	SIC-1491
OR40005400-L5	54.00	4.00	PU	POB-220
OR40005400-08	54.00	4.00	NBR	SIC-470
OR45005400-64	54.00	4.50	FKM	SIC-1173
OR45005400-08	54.00	4.50	NBR	SIC-429
OR48005400-08	54.00	4.80	NBR	SIC-292
OR50005400-08	54.00	5.00	NBR	SIC-138
OR50005400-T2	54.00	5.00	VMQ	SIC-1709
OR50005400-20	54.00	5.00	CR	SIC-2391
OR52005400-10	54.00	5.20	NBR	SIC-1730
OR55005400-20	54.00	5.50	CR	SIC-540
OR55005400-64	54.00	5.50	FKM	SIC-2207
OR55005400-08	54.00	5.50	NBR	SIC-2149
OR60005400-43	54.00	6.00	VMQ	SIC-665
OR60005400-08	54.00	6.00	NBR	SIC-989
OR62505400-08	54.00	6.25	NBR	SIC-405
OR65005400-08	54.00	6.50	NBR	SIC-1248
OR65005400-34	54.00	6.50	EPDM	SIC-1352
OR65005400-06	54.00	6.50	NBR	SIC-1805
OR65005400-06	54.00	6.50	NBR	SIC-2170
OR70005400-08	54.00	7.00	NBR	SIC-1574
OR80005400-08	54.00	8.00	NBR	SIC-1536
OR80005400-64	54.00	8.00	FKM	SIC-767
OR82005400-08	54.00	8.20	NBR	SIC-2103
OR12005400-10	54.00	12.00	NBR	SIC-719
OR15005400-06	54.00	15.00	NBR	SIC-1352
OR53305409-64	54.09	5.33	FKM	SIC-2088
OR36005410-T5	54.10	3.60	EPDM	SIC-1644
OR58005410-T2	54.10	5.80	VMQ	SIC-1631
OR30205413-08	54.13	3.02	NBR	SIC-1938
OR17805420-08	54.20	1.78	NBR	SIC-1356
OR24005420-64	54.20	2.40	FKM	SIC-941
OR57005420-08	54.20	5.70	NBR	SIC-408
OR57005420-32	54.20	5.70	EPDM	SIC-1548
OR35005422-08	54.22	3.50	NBR	SIC-128
OR22005430-64	54.30	2.20	FKM	SIC-476
OR25005430-08	54.30	2.50	NBR	SIC-1829
OR35005430-11	54.30	3.50	NBR	SIC-1006
OR31005440-59	54.40	3.10	PU	POB-287
OR41305440-08	54.40	4.13	NBR	SIC-1989
OR48005440-64	54.40	4.80	FKM	SIC-2042
OR53305440-32	54.40	5.33	EPDM	SIC-1229
OR20005443-08	54.43	2.00	NBR	SIC-453
OR15005450-64	54.50	1.50	FKM	SIC-2134
OR20005450-64	54.50	2.00	FKM	SIC-2235
OR27505450-64	54.50	2.75	FKM	SIC-1903
OR30005450-59	54.50	3.00	PU	POB-239
OR30005450-08	54.50	3.00	NBR	SIC-120
OR30005450-08	54.50	3.00	NBR	SIC-119
OR30005450-T5	54.50	3.00	EPDM	SIC-1881
OR31005450-32	54.50	3.10	EPDM	SIC-2208
OR53305450-Z1	54.50	5.33	NBR	SIC-1429
OR53305450-08	54.50	5.33	NBR	SIC-615
OR55005450-08	54.50	5.50	NBR	SIC-229
OR55305450-Z1	54.50	5.53	NBR	SIC-1401

Bold sizes are readily available in stock.
Other material are available on request.

Part No.	d	c/s	Material	Mould No.
OR56005450-64	54.50	5.60	FKM	SIC-1457
OR57005450-T9	54.50	5.70	FKM	SIC-1050
OR57005450-08	54.50	5.70	NBR	SIC-1994
OR27405452-12	54.52	2.74	NBR	SIC-1946
OR26205454-08	54.54	2.62	NBR	SIC-843
OR24005460-08	54.60	2.40	NBR	SIC-886
OR31705460-10	54.60	3.17	NBR	SIC-245
OR57005460-08	54.60	5.70	NBR	SIC-256
OR57005460-08	54.60	5.70	NBR	SIC-226
OR25005464-D5	54.64	2.50	HNBR	SIC-836
OR30005466-63	54.66	3.00	FKM	SIC-1475
OR53305469-08	54.69	5.33	NBR	SIC-2193
OR22005470-08	54.70	2.20	NBR	SIC-1741
OR24005470-64	54.70	2.40	FKM	SIC-1908
OR35305473-67	54.73	3.53	FKM	SIC-1174
OR22005480-08	54.80	2.20	NBR	SIC-1738
OR50005480-20	54.80	5.00	CR	SIC-1022
OR15705494-64	54.94	1.57	FKM	SIC-2326
OR37705497-64	54.97	3.77	FKM	SIC-2038
OR10005500-08	55.00	1.00	NBR	SIC-1986
OR12005500-08	55.00	1.20	NBR	SIC-2330
OR15005500-08	55.00	1.50	NBR	SIC-102
OR15005500-64	55.00	1.50	FKM	SIC-825
OR15005500-J3	55.00	1.50	Butyl Rubber	SIC-1783
OR15005500-28	55.00	1.50	EPDM	SIC-1673
OR16005500-32	55.00	1.60	EPDM	SIC-2324
OR17805500-BN	55.00	1.78	FKM	SIC-2275
OR18005500-43	55.00	1.80	VMQ	SIC-1000
OR18005500-32	55.00	1.80	EPDM	SIC-1845
OR20005500-64	55.00	2.00	FKM	SIC-1307
OR20005500-08	55.00	2.00	NBR	SIC-357
OR20005500-V2	55.00	2.00	NBR	SIC-1672
OR20005500-12	55.00	2.00	NBR	SIC-1947
OR21005500-64	55.00	2.10	FKM	SIC-1390
OR23005500-08	55.00	2.30	NBR	SIC-1480
OR25005500-08	55.00	2.50	NBR	SIC-114
OR25005500-64	55.00	2.50	FKM	SIC-1486
OR25005500-64	55.00	2.50	FKM	SIC-1385
OR25005500-43	55.00	2.50	VMQ	SIC-1945
OR27505500-64	55.00	2.75	FKM	SIC-1481
OR28005500-08	55.00	2.80	NBR	SIC-2049
OR30005500-08	55.00	3.00	NBR	SIC-134
OR30005500-08	55.00	3.00	NBR	SIC-807
OR30005500-64	55.00	3.00	FKM	SIC-882
OR30005500-49	55.00	3.00	HNBR	SIC-2153
OR30005500-32	55.00	3.00	EPDM	SIC-2316
OR31005500-08	55.00	3.10	NBR	SIC-1306
OR33005500-32	55.00	3.30	EPDM	SIC-1902
OR33005500-08	55.00	3.30	NBR	SIC-2109
OR35005500-CM	55.00	3.50	FKM	SIC-1059
OR35005500-08	55.00	3.50	NBR	SIC-699
OR35005500-32	55.00	3.50	EPDM	SIC-1512
OR35005500-64	55.00	3.50	FKM	SIC-1944
OR37505500-08	55.00	3.75	NBR	SIC-565
OR38005500-66	55.00	3.80	FKM	SIC-1150
OR38005500-08	55.00	3.80	NBR	SIC-2002
OR40005500-64	55.00	4.00	FKM	SIC-1114
OR40005500-08	55.00	4.00	NBR	SIC-645
OR40005500-08	55.00	4.00	NBR	SIC-899
OR45005500-64	55.00	4.50	FKM	SIC-962
OR45005500-08	55.00	4.50	NBR	SIC-702
OR47505500-08	55.00	4.75	NBR	SIC-1034
OR50005500-L5	55.00	5.00	PU	POB-203
OR50005500-S8	55.00	5.00	NBR	SIC-158
OR50005500-64	55.00	5.00	FKM	SIC-323
OR50005500-S8	55.00	5.00	NBR	SIC-1752
OR50005500-D7	55.00	5.00	HNBR	SIC-2233
OR53005500-08	55.00	5.30	NBR	SIC-529
OR53305500-D5	55.00	5.33	HNBR	SIC-2270
OR55005500-08	55.00	5.50	NBR	SIC-603
OR55005500-08	55.00	5.50	NBR	SIC-1009
OR55005500-D5	55.00	5.50	HNBR	SIC-2310
OR60005500-08	55.00	6.00	NBR	SIC-269

Part No.	d	c/s	Material	Mould No.
OR60005500-64	55.00	6.00	FKM	SIC-830
OR70005500-43	55.00	7.00	VMQ	SIC-1617
OR70005500-08	55.00	7.00	NBR	SIC-231
OR75005500-11	55.00	7.50	NBR	SIC-1278
OR12005500-08	55.00	12.00	NBR	SIC-1783
OR25005504-64	55.04	2.50	FKM	SIC-1368
OR27005510-08	55.10	2.70	NBR	SIC-2287
OR261033	55.25	2.62	NBR	SIC-101
OR26205525-64	55.25	2.62	FKM	SIC-1014
OR26205525-32	55.25	2.62	EPDM	SIC-1744
OR47505525-08	55.25	4.75	NBR	SIC-2111
OR17805530-32	55.30	1.78	EPDM	SIC-2057
OR26005530-08	55.30	2.60	NBR	SIC-182
OR40005530-20	55.30	4.00	CR	SIC-2006
OR50005530-D5	55.30	5.00	HNBR	SIC-2089
OR57005530-08	55.30	5.70	NBR	SIC-892
OR53405534-08	55.34	5.34	NBR	SIC-985
OR26205540-87	55.40	2.62	PU	POB-233
OR50005540-BV	55.40	5.00	NBR	SIC-2052
OR25005550-08	55.50	2.50	NBR	SIC-1818
OR30005550-08	55.50	3.00	NBR	SIC-1430
OR30005550-64	55.50	3.00	FKM	SIC-1653
OR30005550-35	55.50	3.00	EPDM	SIC-2161
OR32005550-08	55.50	3.20	NBR	SIC-235
OR40005550-20	55.50	4.00	CR	SIC-2094
OR55005550-08	55.50	5.50	NBR	SIC-274
OR18005556-08	55.56	1.80	NBR	SIC-505
OR18505556-08	55.56	1.85	NBR	SIC-477
OR35305556-64	55.56	3.53	FKM	SIC-1175
OR53305556-64	55.56	5.33	FKM	SIC-2083
OR24005560-08	55.60	2.40	NBR	SIC-1247
OR24005560-64	55.60	2.40	FKM	SIC-1049
OR32005560-L5	55.60	3.20	PU	POB-219
OR35005560-08	55.60	3.50	NBR	SIC-384
OR54005560-32	55.60	5.40	EPDM	SIC-970
OR54005560-64	55.60	5.40	FKM	SIC-946
OR57005560-08	55.60	5.70	NBR	SIC-879
OR80005560-08	55.60	8.00	NBR	SIC-520
OR15105564-08	55.64	1.51	NBR	SIC-2150
OR22005570-08	55.70	2.20	NBR	SIC-1742
OR22005580-64	55.80	2.20	FKM	SIC-1538
OR45305580-64	55.80	4.53	FKM	SIC-1335
OR45305580-08	55.80	4.53	NBR	SIC-1714
OR45355800-C1	55.80	4.53	XNBR	SIC-2192
OR10005600-08	56.00	1.00	NBR	SIC-1516
OR10005600-64	56.00	1.00	FKM	SIC-2033
OR15005600-08	56.00	1.50	NBR	SIC-1131
OR15005600-66	56.00	1.50	FKM	SIC-1041
OR17005600-64	56.00	1.70	FKM	SIC-2067
OR17505600-08	56.00	1.75	NBR	SIC-571
OR17805600-06	56.00	1.78	NBR	SIC-670
OR18005600-08	56.00	1.80	NBR	SIC-1520
OR20005600-64	56.00	2.00	FKM	SIC-1166
OR20005600-08	56.00	2.00	NBR	SIC-432
OR20005600-43	56.00	2.00	VMQ	SIC-2064
OR23005600-08	56.00	2.30	NBR	SIC-975
OR25005600-08	56.00	2.50	NBR	SIC-653
OR25005600-64	56.00	2.50	FKM	SIC-2013
OR26205600-67	56.00	2.62	FKM	SIC-1856
OR26605600-32	56.00	2.66	EPDM	SIC-2010
OR27005600-08	56.00	2.70	NBR	SIC-920
OR30005600-08	56.00	3.00	NBR	SIC-319
OR30005600-64	56.00	3.00	FKM	SIC-743
OR31005600-64	56.00	3.10	FKM	SIC-1249
OR34505600-64	56.00	3.45	FKM	SIC-1777
OR35005600-08	56.00	3.50	NBR	SIC-355
OR35005600-64	56.00	3.50	FKM	SIC-1411
OR35505600-66	56.00	3.55	FKM	SIC-740
OR35505600-08	56.00	3.55	NBR	SIC-1879
OR40005600-08	56.00	4.00	NBR	SIC-434
OR40005600-67	56.00	4.00	FKM	SIC-1697
OR40005600-64	56.00	4.00	FKM	SIC-2228
OR45005600-08	56.00	4.50	NBR	SIC-418

Bold sizes are readily available in stock.
 Other material are available on request.

Part No.	d	c/s	Material	Mould No.
OR45005600-64	56.00	4.50	FKM	SIC-1792
OR48505600-64	56.00	4.85	FKM	SIC-1722
OR50005600-08	56.00	5.00	NBR	SIC-1502
OR500005600-08	56.00	5.00	NBR	SIC-1342
OR50005600-64	56.00	5.00	FKM	SIC-1666
OR53005600-08	56.00	5.30	NBR	SIC-373
OR53005600-64	56.00	5.30	FKM	SIC-1125
OR55005600-64	56.00	5.50	FKM	SIC-1671
OR60005600-08	56.00	6.00	NBR	SIC-185
OR60005600-64	56.00	6.00	FKM	SIC-1642
OR70005600-64	56.00	7.00	FKM	SIC-1378
OR70005600-08	56.00	7.00	NBR	SIC-671
OR77005600-08	56.00	7.70	NBR	SIC-383
OR12005600-08	56.00	12.00	NBR	SID-1775
OR17805618-64	56.18	1.78	FKM	SIC-1900
OR24005620-64	56.20	2.40	FKM	SIC-942
OR30005620-08	56.20	3.00	NBR	SIC-821
OR60005630-43	56.30	6.00	VMQ	SIC-1310
OR20005640-08	56.40	2.00	NBR	SIC-1347
OR35005640-08	56.40	3.50	NBR	SIC-1240
OR36005640-64	56.40	3.60	FKM	SIC-1838
OR58005640-08	56.40	5.80	NBR	SIC-1230
OR22705647-64	56.47	2.27	FKM	SIC-1893
OR22605648-08	56.48	2.26	NBR	SIC-1939
OR12505650-08	56.50	1.25	NBR	SIC-350
OR25005650-08	56.50	2.50	NBR	SIC-1171
OR35005650-08	56.50	3.50	NBR	SIC-208
OR40005650-08	56.50	4.00	NBR	SIC-1977
OR50005650-41	56.50	5.00	VMQ	SIC-1800
OR50005650-08	56.50	5.00	NBR	SIC-2384
OR52005650-64	56.50	5.20	FKM	SIC-2043
OR52005650-20	56.50	5.20	CR	SIC-2080
OR52005650-09	56.50	5.20	NBR	SIC-2118
OR52005650-65	56.50	5.20	FKM	SIC-2113
OR52005650-33	56.50	5.20	EPDM	SIC-2114
OR53005650-65	56.50	5.30	FKM	SIC-2189
OR55005650-08	56.50	5.50	NBR	SIC-327
OR83005650-08	56.50	8.30	NBR	SIC-1965
OR85005650-08	56.50	8.50	NBR	SIC-1964
OR69805651-Q2	56.51	6.98	PU	POB-202
OR53305652-64	56.52	5.33	FKM	SIC-1263
OR53305652-08	56.52	5.33	NBR	SIC-652
OR53305652-R1	56.52	5.33	FVMQ	SIC-2081
OR29005660-08	56.60	2.90	NBR	SIC-1682
OR22005670-08	56.70	2.20	NBR	SIC-1740
OR35305670-64	56.70	3.53	FKM	SIC-1030
OR17705672-D5	56.72	1.77	HNBR	SIC-1726
OR35305674-87	56.74	3.53	PU	POB-122
OR35305674-R1	56.74	3.53	FVMQ	SIC-1182
OR35305674-67	56.74	3.53	FKM	SIC-1156
OR35305674-08	56.74	3.53	NBR	SIC-305
OR35305674-43	56.74	3.53	VMQ	SIC-913
OR35305674-64	56.74	3.53	FKM	SIC-773
OR35305674-11	56.74	3.53	NBR	SIC-1628
OR35305674-10	56.74	3.53	NBR	SIC-1948
OR53405674-11	56.74	5.34	NBR	SIC-1596
OR33005675-08	56.75	3.30	NBR	SIC-1616
OR35305675-11	56.75	3.53	NBR	SIC-998
OR31005680-64	56.80	3.10	FKM	SIC-1065
OR31005680-08	56.80	3.10	NBR	SIC-1846
OR54005680-64	56.80	5.40	NBR	SIC-1750
OR60005680-08	56.80	6.00	NBR	SIC-133
OR26205682-64	56.82	2.62	FKM	SIC-866
OR26205682-08	56.82	2.62	NBR	SIC-535
OR26205682-42	56.82	2.62	VMQ	SIC-1952
OR17805687-64	56.87	1.78	FKM	SIC-1503
OR17805687-64	56.87	1.78	FKM	SIC-919
OR17805687-32	56.87	1.78	EPDM	SIC-923
OR17805687-08	56.87	1.78	NBR	SIC-763
OR17805687-L3	56.87	1.78	AFLAS	SIC-1974
OR17805687-D5	56.87	1.78	HNBR	SIC-1859
OR17805687-49	56.87	1.78	HNBR	SIC-2156
OR17805687-BA	56.87	1.78	FKM	SIC-2188

Part No.	d	c/s	Material	Mould No.
OR27805687-08	56.87	2.78	NBR	SIC-933
OR11005690-08	56.90	1.10	NBR	SIC-1304
OR35305697-64	56.97	3.53	FKM	SIC-2397
OR10005700-08	57.00	1.00	NBR	SIC-349
OR15005700-08	57.00	1.50	NBR	SIC-1318
OR15005700-08	57.00	1.50	NBR	SIC-1053
OR20005700-64	57.00	2.00	FKM	SIC-1111
OR20005700-08	57.00	2.00	NBR	SIC-403
OR20005700-64	57.00	2.00	FKM	SIC-2203
OR24005700-32	57.00	2.40	EPDM	SIC-2276
OR25005700-64	57.00	2.50	FKM	SIC-1279
OR25005700-08	57.00	2.50	NBR	SIC-407
OR25005700-08	57.00	2.50	NBR	SIC-204
OR25005700-D5	57.00	2.50	HNBR	SIC-833
OR28005700-08	57.00	2.80	NBR	SIC-1134
OR28005700-64	57.00	2.80	FKM	SIC-2399
OR30005700-08	57.00	3.00	NBR	SIC-1146
OR30005700-64	57.00	3.00	FKM	SIC-302
OR30005700-08	57.00	3.00	NBR	SIC-612
OR35005700-08	57.00	3.50	NBR	SIC-112
OR35005700-64	57.00	3.50	FKM	SIC-1285
OR35005700-08	57.00	3.50	XNBR	SIC-1597
OR38005700-64	57.00	3.80	FKM	SIC-1148
OR37005700-64	57.00	3.70	FKM	SIC-1442
OR37505700-64	57.00	3.75	FKM	SIC-1439
OR40005700-10	57.00	4.00	NBR	SIC-1234
OR40005700-08	57.00	4.00	NBR	SIC-676
OR41505700-64	57.00	4.15	FKM	SIC-1067
OR45005700-32	57.00	4.50	EPDM	SIC-1718
OR50005700-64	57.00	5.00	FKM	SIC-876
OR50005700-34	57.00	5.00	EPDM	SIC-972
OR50005700-08	57.00	5.00	NBR	SIC-268
OR50005700-S8	57.00	5.00	NBR	SIC-1878
OR57005720-10	57.00	5.70	NBR	SIC-720
OR60005700-08	57.00	6.00	NBR	SIC-1824
OR65005700-08	57.00	6.50	NBR	SIC-1622
OR67205700-08	57.00	6.72	NBR	SIC-1675
OR70005700-08	57.00	7.00	NBR	SIC-1010
OR10005700-64	57.00	10.00	FKM	SID-527
OR26005710-64	57.10	2.60	FKM	SIC-605
OR25005715-64	57.15	2.50	FKM	SIC-1265
OR31705715-46	57.15	3.17	VMQ	SIC-1793
OR31805715-08	57.15	3.18	NBR	SIC-314
OR35305715-L5	57.15	3.53	PU	POB-225
OR35305715-L3	57.15	3.53	AFLAS	SIC-1707
OR35305715-11	57.15	3.53	NBR	SIC-1774
OR47605715-64	57.15	4.76	FKM	SIC-1453
OR47605715-32	57.15	4.76	EPDM	SIC-1648
OR63505715-11	57.15	6.35	NBR	SIC-1383
OR63505715-64	57.15	6.35	FKM	SIC-2261
OR11105715-08	57.15	11.10	NBR	SID-1603
OR16005720-08	57.20	1.60	NBR	SIC-284
OR18005720-26	57.20	1.80	EPDM	SIC-1839
OR32005720-08	57.20	3.20	NBR	SIC-303
OR57005720-67	57.20	5.70	FKM	SIC-1042
OR31005722-08	57.22	3.10	NBR	SIC-1623
OR55005730-64	57.30	5.50	FKM	SIC-1625
OR70005730-08	57.30	7.00	NBR	SIC-469
OR31005740-11	57.40	3.10	NBR	SIC-1198
OR35005740-08	57.40	3.50	NBR	SIC-1331
OR40005740-08	57.40	4.00	NBR	SIC-1129
OR12505750-10	57.50	1.25	NBR	SIC-1448
OR24005750-08	57.50	2.40	NBR	SIC-1911
OR25005750-08	57.50	2.50	NBR	SIC-2369
OR31005750-08	57.50	3.10	NBR	SIC-1483
OR35005750-D5	57.50	3.50	HNBR	SIC-1155
OR35505750-67	57.50	3.55	FKM	SIC-1246
OR40005750-64	57.50	4.00	FKM	SIC-1076
OR53305750-64	57.50	5.33	FKM	SIC-810
OR53305750-08	57.50	5.33	NBR	SIC-328
OR58005750-64	57.50	5.80	FKM	SIC-984
OR20005760-64	57.60	2.00	FKM	SIC-1995
OR24005760-08	57.60	2.40	NBR	SIC-1158

Bold sizes are readily available in stock.
Other material are available on request.

Part No.	d	c/s	Material	Mould No.
OR24005760-64	57.60	2.40	FKM	SIC-2032
OR35305760-08	57.60	3.53	NBR	SIC-2069
OR57005760-08	57.60	5.70	NBR	SIC-1292
OR35305770-Z1	57.70	3.53	NBR	SIC-1402
OR22705774-D5	57.74	2.27	HNBR	SIC-1724
OR50005780-64	57.80	5.00	FKM	SIC-2264
OR10005800-08	58.00	1.00	NBR	SIC-1572
OR12005800-08	58.00	1.20	NBR	SIC-1626
OR13005800-64	58.00	1.30	FKM	SIC-870
OR15005800-08	58.00	1.50	NBR	SIC-1571
OR15005800-43	58.00	1.50	VMQ	SIC-2278
OR16505800-08	58.00	1.65	NBR	SIC-1834
OR17805800-R1	58.00	1.78	FVMQ	SIC-1535
OR17805800-32	58.00	1.78	EPDM	SIC-1469
OR20005800-43	58.00	2.00	VMQ	SIC-1340
OR20005800-43	58.00	2.00	VMQ	SIC-1282
OR20005800-64	58.00	2.00	FKM	SIC-1011
OR20005815-08	58.00	2.00	NBR	SIC-261
OR20005800-04	58.00	2.00	NBR	SIC-1700
OR22005800-20	58.00	2.20	CR	SIC-976
OR25005800-08	58.00	2.50	NBR	SIC-211
OR25005800-66	58.00	2.50	FKM	SIC-1412
OR25005800-T5	58.00	2.50	EPDM	SIC-1668
OR25005800-64	58.00	2.50	FKM	SIC-2226
OR26205800-L5	58.00	2.62	PU	POB-255
OR26505800-32	58.00	2.65	EPDM	SIC-2146
OR30005800-08	58.00	3.00	NBR	SIC-900
OR30005800-64	58.00	3.00	FKM	SIC-926
OR30005800-08	58.00	3.00	NBR	SIC-458
OR30005800-32	58.00	3.00	EPDM	SIC-2143
OR30005800-S9	58.00	3.00	VMQ	SIC-2036
OR32005800-08	58.00	3.20	NBR	SIC-1135
OR32505800-64	58.00	3.25	FKM	SIC-1717
OR35005800-08	58.00	3.50	NBR	SIC-178
OR35005800-64	58.00	3.50	FKM	SIC-1531
OR35005800-08	58.00	3.50	NBR	SIC-1325
OR35305800-67	58.00	3.53	FKM	SIC-1905
OR37005800-08	58.00	3.70	NBR	SIC-1987
OR40005800-08	58.00	4.00	NBR	SIC-675
OR40005800-T9	58.00	4.00	FKM	SIC-1851
OR45005800-08	58.00	4.50	NBR	SIC-466
OR50005800-43	58.00	5.00	VMQ	SIC-973
OR50005800-08	58.00	5.00	NBR	SIC-562
OR55005800-08	58.00	5.50	NBR	SIC-482
OR55005800-43	58.00	5.50	VMQ	SIC-1362
OR56005800-66	58.00	5.60	FKM	SIC-2381
OR56505800-43	58.00	5.65	VMQ	SIC-2098
OR60005800-T2	58.00	6.00	VMQ	SIC-1473
OR60005800-08	58.00	6.00	NBR	SIC-191
OR65005800-08	58.00	6.50	NBR	SIC-1421
OR70005800-08	58.00	7.00	NBR	SIC-1578
OR70005800-41	58.00	7.00	VMQ	SIC-2025
OR70005800-T9	58.00	7.00	FKM	SIC-2280
OR75005800-04	58.00	7.50	NBR	SIC-1286
OR75005800-P8	58.00	7.50	HNBR	SIC-1585
OR80005800-08	58.00	8.00	NBR	SIC-788
OR80005800-41	58.00	8.00	VMQ	SIC-2023
OR15005800-06	58.00	15.00	NBR	SID-1372
OR53305811-32	58.11	5.33	EPDM	SIC-1970
OR20005815-08	58.15	2.00	NBR	SIC-1488
OR35005840-08	58.40	3.50	NBR	SIC-1334
OR58005840-08	58.40	5.80	NBR	SIC-250
OR26205842-30	58.42	2.62	EPDM	SIC-1414
OR26205842-43	58.42	2.62	VMQ	SIC-948
OR26205842-N8	58.42	2.62	NBR	SIC-911
OR26205842-08	58.42	2.62	NBR	SIC-581
OR26205842-64	58.42	2.62	FKM	SIC-723
OR26205842-T5	58.42	2.62	EPDM	SIC-1681
OR73705842-08	58.42	7.37	NBR	SIC-1514
OR73705842-64	58.42	7.37	FKM	SIC-1458
OR17805844-32	58.44	1.78	EPDM	SIC-2097
OR17805850-64	58.50	1.78	FKM	SIC-2139
OR22505850-08	58.50	2.25	NBR	SIC-594

Part No.	d	c/s	Material	Mould No.
OR25005850-08	58.50	2.50	NBR	SIC-2368
OR27005850-64	58.50	2.70	FKM	SIC-803
OR30005850-08	58.50	3.00	NBR	SIC-544
OR30005850-64	58.50	3.00	FKM	SIC-1785
OR33005850-08	58.50	3.30	NBR	SIC-619
OR35305850-06	58.50	3.53	NBR	SIC-2308
OR50005850-T5	58.50	5.00	EPDM	SIC-2183
OR53305850-08	58.50	5.33	NBR	SIC-751
OR70005850-30	58.50	7.00	EPDM	SIC-840
OR24005860-64	58.60	2.40	FKM	SIC-1728
OR32005860-66	58.60	3.20	FKM	SIC-945
OR57005860-08	58.60	5.70	NBR	SIC-460
OR30005865-10	58.65	3.00	NBR	SIC-1289
OR24005870-08	58.70	2.40	NBR	SIC-277
OR63505872-32	58.72	6.35	EPDM	SIC-1898
OR15905874-08	58.74	1.59	NBR	SIC-2378
OR35305874-08	58.74	3.53	NBR	SIC-218
OR35305874-64	58.74	3.53	FKM	SIC-774
OR37505875-08	58.75	3.75	NBR	SIC-2370
OR18005880-08	58.80	1.80	NBR	SIC-1372
OR20005880-64	58.80	2.00	FKM	SIC-943
OR31005880-64	58.80	3.10	FKM	SIC-1062
OR34005880-08	58.80	3.40	NBR	SIC-1418
OR15005900-64	59.00	1.50	FKM	SIC-1087
OR15005900-08	59.00	1.50	NBR	SIC-744
OR15005900-55	59.00	1.50	ACM	SIC-2181
OR16005900-40	59.00	1.60	VMQ	SIC-2327
OR18005900-67	59.00	1.80	FKM	SIC-709
OR20005900-08	59.00	2.00	NBR	SIC-887
OR20005900-64	59.00	2.00	FKM	SIC-1882
OR20005900-32	59.00	2.00	EPDM	SIC-2169
OR22005900-08	59.00	2.20	NBR	SIC-1852
OR25005900-64	59.00	2.50	FKM	SIC-1103
OR25005900-D5	59.00	2.50	HNBR	SIC-832
OR25005900-08	59.00	2.50	NBR	SIC-252
OR29005900-T5	59.00	2.90	EPDM	SIC-2116
OR30005900-L5	59.00	3.00	PU	POB-241
OR30005900-64	59.00	3.00	FKM	SIC-1079
OR30005900-08	59.00	3.00	NBR	SIC-862
OR31005900-10	59.00	3.10	NBR	SIC-2084
OR32505900-08	59.00	3.25	NBR	SIC-2190
OR35005900-08	59.00	3.50	NBR	SIC-151
OR35005900-64	59.00	3.50	FKM	SIC-1772
OR35305900-08	59.00	3.53	NBR	SIC-1091
OR37005900-32	59.00	3.70	EPDM	SIC-1825
OR40005900-08	59.00	4.00	NBR	SIC-203
OR40005900-64	59.00	4.00	FKM	SIC-1680
OR42005900-64	59.00	4.20	FKM	SIC-1436
OR43005900-08	59.00	4.30	NBR	SIC-1507
OR45005900-28	59.00	4.50	EPDM	SIC-2059
OR45005900-D6	59.00	4.50	HNBR	SIC-2296
OR50005900-08	59.00	5.00	NBR	SIC-595
OR52005900-64	59.00	5.20	FKM	SIC-1614
OR55005900-08	59.00	5.50	NBR	SIC-526
OR55005900-08	59.00	5.50	NBR	SIC-2291
OR58005900-08	59.00	5.80	NBR	SIC-685
OR58005900-08	59.00	5.80	NBR	SIC-1532
OR60005900-08	59.00	6.00	NBR	SIC-297
OR65005900-32	59.00	6.50	EPDM	SIC-1954
OR70005900-08	59.00	7.00	NBR	SIC-1573
OR53005920-10	59.20	5.30	NBR	SIC-2259
OR57005920-11	59.20	5.70	NBR	SIC-1121
OR57005920-64	59.20	5.70	FKM	SIC-409
OR57005930-39	59.30	5.70	VMQ	SIC-1641
OR57005930-59	59.30	5.70	PU	POB-251
OR84005930-32	59.30	8.40	EPDM	SID-1307
OR35305932-49	59.32	3.53	HNBR	SIC-2205
OR10005934-08	59.34	1.00	NBR	SIC-761
OR26105935-64	59.35	2.61	FKM	SIC-1757
OR31005940-08	59.40	3.10	NBR	SIC-841
OR31005940-43	59.40	3.10	VMQ	SIC-1508
OR31005940-67	59.40	3.10	FKM	SIC-1038
OR31005940-T5	59.40	3.10	EPDM	SIC-2341

Bold sizes are readily available in stock.
 Other material are available on request.

Part No.	d	c/s	Material	Mould No.
OR20005950-08	59.50	2.00	NBR	SIC-1775
OR22505950-64	59.50	2.25	FKM	SIC-2121
OR30005950-08	59.50	3.00	NBR	SIC-423
OR30005950-R1	59.50	3.00	VMQ	SIC-1917
OR31705950-11	59.50	3.17	NBR	SIC-668
OR40005950-64	59.50	4.00	FKM	SIC-1161
OR52005950-08	59.50	5.20	NBR	SIC-1371
OR53505950-R1	59.50	5.35	FVMQ	SIC-2221
OR55005950-08	59.50	5.50	NBR	SIC-127
OR55005950-67	59.50	5.50	FKM	SIC-1820
OR60005950-10	59.50	6.00	NBR	SIC-1476
OR63005950-08	59.50	6.30	NBR	SIC-2204
OR24005960-08	59.60	2.40	NBR	SIC-1242
OR53005960-08	59.60	5.30	NBR	SIC-2239
OR57005960-08	59.60	5.70	NBR	SIC-293
OR22705965-08	59.65	2.27	NBR	SIC-1931
OR53305969-T5	59.69	5.33	EPDM	SIC-1252
OR53305969-32	59.69	5.33	EPDM	SIC-1415
OR53305969-T5	59.69	5.33	EPDM	SIC-1093
OR53305969-64	59.69	5.33	FKM	SIC-1068
OR53305969-08	59.69	5.33	NBR	SIC-240
OR53305969-BN	59.69	5.33	FKM	SIC-1784
OR53305970-N8	59.70	5.33	NBR	SIC-896
OR53305970-43	59.70	5.33	VMQ	SIC-2328
OR37505975-08	59.75	3.75	NBR	SIC-2367
OR26205990-67	59.90	2.62	FKM	SIC-1051
OR35305992-L3	59.92	3.53	AFLAS	SIC-1599
OR35305992-64	59.92	3.53	FKM	SIC-1086
OR35305992-N8	59.92	3.53	NBR	SIC-1283
OR35305992-08	59.92	3.53	NBR	SIC-756
OR26205999-64	59.99	2.62	FKM	SIC-1404
OR26205999-08	59.99	2.62	NBR	SIC-492
OR26205999-T5	59.99	2.62	EPDM	SIC-1899
OR10006000-08	60.00	1.00	NBR	SIC-1584
OR10006000-64	60.00	1.00	FKM	SIC-2008
OR15006000-66	60.00	1.50	FKM	SIC-1097
OR15006000-08	60.00	1.50	NBR	SIC-1423
OR15006000-58	60.00	1.50	FVMQ	SIC-2241
OR16006000-08	60.00	1.60	NBR	SIC-1524
OR17806000-87	60.00	1.78	PU	POB-232
OR20006000-64	60.00	2.00	FKM	SIC-1113
OR20006000-08	60.00	2.00	NBR	SIC-901
OR20006000-08	60.00	2.00	NBR	SIC-359
OR20006000-08	60.00	2.00	NBR	SIC-513
OR20006000-43	60.00	2.00	VMQ	SIC-2206
OR24006000-08	60.00	2.40	NBR	SIC-1454
OR25006000-08	60.00	2.50	NBR	SIC-519
OR25006000-R1	60.00	2.50	FVMQ	SIC-2179
OR25006000-18	60.00	2.50	CR	SIC-2404
OR26206000-64	60.00	2.62	FKM	SIC-558
OR26206000-59	60.00	2.62	PU	POB-247
OR26206000-43	60.00	2.62	VMQ	SIC-2137
OR30006000-43	60.00	3.00	VMQ	SIC-1489
OR30006000-08	60.00	3.00	NBR	SIC-523
OR30006000-08	60.00	3.00	NBR	SIC-805
OR30006000-64	60.00	3.00	FKM	SIC-963
OR30006000-T5	60.00	3.00	EPDM	SIC-1747
OR30006000-20	60.00	3.00	CR	SIC-1997
OR30006000-04	60.00	3.00	NBR	SIC-2271
OR30006000-L5	60.00	3.00	PU	POB-290
OR31006000-64	60.00	3.10	FKM	SIC-903
OR32006000-08	60.00	3.20	NBR	SIC-246
OR35006000-08	60.00	3.50	NBR	SIC-464
OR35506000-64	60.00	3.55	FKM	SIC-1409
OR35506000-08	60.00	3.55	NBR	SIC-1212
OR38006000-20	60.00	3.80	CR	SIC-1024
OR40006000-32	60.00	4.00	EPDM	SIC-1099
OR40006000-08	60.00	4.00	NBR	SIC-179
OR40006000-64	60.00	4.00	FKM	SIC-857
OR40006000-08	60.00	4.00	NBR	SIC-534
OR40006000-08	60.00	4.00	NBR	SIC-607
OR44006000-08	60.00	4.40	NBR	SIC-1497
OR45006000-08	60.00	4.50	NBR	SIC-1619

Part No.	d	c/s	Material	Mould No.
OR45006000-R1	60.00	4.50	FVMQ	SIC-2092
OR50006000-L5	60.00	5.00	PU	POB-101
OR50006000-59	60.00	5.00	PU	POB-187
OR50006000-64	60.00	5.00	FKM	SIC-1190
OR50006000-T5	60.00	5.00	EPDM	SIC-391
OR50006000-08	60.00	5.00	NBR	SIC-326
OR50006000-43	60.00	5.00	VMQ	SIC-2265
OR52006000-64	60.00	5.20	FKM	SIC-2338
OR53306000-64	60.00	5.33	FKM	SIC-1219
OR53306000-T5	60.00	5.33	EPDM	SIC-2290
OR55006000-08	60.00	5.50	NBR	SIC-1056
OR55006000-64	60.00	5.50	FKM	SIC-1136
OR57006000-08	60.00	5.70	NBR	SIC-406
OR58006000-11	60.00	5.80	NBR	SIC-1558
OR60006000-08	60.00	6.00	NBR	SIC-1526
OR60006000-08	60.00	6.00	NBR	SIC-124
OR60006000-43	60.00	6.00	VMQ	SIC-334
OR60006000-64	60.00	6.00	FKM	SIC-2047
OR65006000-62	60.00	6.50	FKM	SIC-1515
OR65006000-08	60.00	6.50	NBR	SIC-1422
OR70006000-08	60.00	7.00	NBR	SIC-517
OR80006000-08	60.00	8.00	NBR	SIC-1120
OR80006000-64	60.00	8.00	FKM	SIC-674
OR10006000-39	60.00	10.00	VMQ	SIC-169
OR17806004-T9	60.04	1.78	FKM	SIC-1764
OR17806004-10	60.04	1.78	NBR	SIC-1808
OR17806005-64	60.05	1.78	FKM	SIC-893
OR17806005-08	60.05	1.78	NBR	SIC-580
OR54006005-64	60.05	5.40	FKM	SIC-604
OR29006030-08	60.30	2.90	NBR	SIC-196
OR29006030-08	60.30	2.90	NBR	SIC-800
OR35006030-32	60.30	3.50	EPDM	SIC-1984
OR48006030-08	60.30	4.80	NBR	SIC-190
OR17506032-08	60.32	1.75	NBR	SIC-244
OR25006032-64	60.32	2.50	FKM	SIC-1266
OR31806032-64	60.32	3.18	FKM	SIC-2380
OR35306032-03	60.32	3.53	NBR	SIC-2331
OR67306032-64	60.32	6.73	FKM	SIC-1108
OR67306032-08	60.32	6.73	NBR	SIC-674
OR11116032-08	60.32	11.11	NBR	SIC-955
OR35306033-N8	60.33	3.53	NBR	SIC-873
OR35306033-43	60.33	3.53	VMQ	SIC-2201
OR15886035-10	60.35	15.88	NBR	SIC-1471
OR26006040-64	60.40	2.60	FKM	SIC-1123
OR58006040-08	60.40	5.80	NBR	SIC-1564
OR60006040-D6	60.40	6.00	HNBR	SIC-2196
OR35306045-64	60.45	3.53	FKM	SIC-1350
OR30206048-08	60.48	3.02	NBR	SIC-1932
OR17506050-06	60.50	1.75	NBR	SIC-1833
OR22006050-64	60.50	2.20	FKM	SIC-967
OR30006050-08	60.50	3.00	XNBR	SIC-1387
OR30006050-49	60.50	3.00	HNBR	SIC-2133
OR50006050-08	60.50	5.00	NBR	SIC-2158
OR52006000-08	60.50	5.20	NBR	SIC-2351
OR53306050-64	60.50	5.33	FKM	SIC-811
OR56006060-08	60.60	5.60	NBR	SIC-2246
OR57006060-08	60.60	5.70	NBR	SIC-1153
OR25006070-D5	60.70	2.50	HNBR	SIC-1853
OR20006080-64	60.80	2.00	FKM	SIC-944
OR26006080-08	60.80	2.60	NBR	SIC-626
OR31006080-64	60.80	3.10	FKM	SIC-1077
OR76206096-08	60.96	7.62	NBR	SIC-1351
OR17506100-08	61.00	1.75	NBR	SIC-537
OR18006100-20	61.00	1.80	CR	SIC-1001
OR20006100-64	61.00	2.00	FKM	SIC-1201
OR20006100-08	61.00	2.00	NBR	SIC-2046
OR20006100-64	61.00	2.00	FKM	SIC-2209
OR22006100-09	61.00	2.20	NBR	SIC-2063
OR25006100-64	61.00	2.50	FKM	SIC-251
OR25006100-08	61.00	2.50	NBR	SIC-1025
OR26206100-34	61.00	2.62	EPDM	SIC-874
OR27006100-43	61.00	2.70	VMQ	SIC-1116
OR28006100-08	61.00	2.80	NBR	SIC-1308

Bold sizes are readily available in stock.
Other material are available on request.

Part No.	d	c/s	Material	Mould No.
OR30006100-08	61.00	3.00	NBR	SIC-143
OR30006100-64	61.00	3.00	FKM	SIC-1189
OR30006100-08	61.00	3.00	NBR	SIC-902
OR30006100-L5	61.00	3.00	PU	POB-276
OR35006100-64	61.00	3.50	FKM	SIC-656
OR35006100-08	61.00	3.50	NBR	SIC-360
OR37006100-08	61.00	3.70	NBR	SIC-1610
OR40006100-08	61.00	4.00	NBR	SIC-735
OR40006100-64	61.00	4.00	FKM	SIC-2211
OR42006100-64	61.00	4.20	FKM	SIC-2301
OR45006100-08	61.00	4.50	NBR	SIC-493
OR45006100-D5	61.00	4.50	HNBR	SIC-2255
OR45006100-64	61.00	4.50	FKM	SIC-2162
OR45006100-32	61.00	4.50	EPDM	SIC-2365
OR50006100-07	61.00	5.00	NBR	SIC-1621
OR50006100-08	61.00	5.00	NBR	SIC-351
OR50006100-64	61.00	5.00	FKM	SIC-917
OR53006100-32	61.00	5.30	EPDM	SIC-1692
OR61004500-D6	61.00	5.40	HNBR	SIC-2353
OR55006150-08	61.00	5.50	NBR	SIC-995
OR58006100-10	61.00	5.80	NBR	SIC-693
OR78006100-64	61.00	7.80	FKM	SID-1626
OR85006100-08	61.00	8.50	NBR	SID-676
OR90006100-62	61.00	9.00	FKM	SID-1666
OR90006100-32	61.00	9.00	EPDM	SID-1727
OR57006120-43	61.20	5.70	VMQ	SID-640
OR18006120-08	61.20	1.80	NBR	SIC-1296
OR35306124-66	61.24	3.53	FKM	SIC-1695
OR37706132-08	61.32	3.77	XNBR	SIC-1363
OR10006135-66	61.35	1.00	FKM	SIC-1005
OR35006150-08	61.50	3.50	NBR	SIC-1333
OR35006150-08	61.50	3.50	NBR	SIC-2127
OR35506150-08	61.50	3.55	NBR	SIC-2269
OR53006150-08	61.50	5.30	NBR	SIC-484
OR53306150-67	61.50	5.33	FKM	SIC-2343
OR55006150-08	61.50	5.50	NBR	SIC-462
OR57006150-08	61.50	5.70	NBR	SIC-1312
OR76006150-43	61.50	7.60	VMQ	SID-1139
OR20006160-08	61.60	2.00	NBR	SIC-512
OR24006160-08	61.60	2.40	NBR	SIC-2007
OR24006160-67	61.60	2.40	FKM	SIC-2044
OR26206160-64	61.60	2.62	FKM	SIC-1122
OR26206160-08	61.60	2.62	NBR	SIC-518
OR31006160-08	61.60	3.10	NBR	SIC-990
OR40006160-08	61.60	4.00	NBR	SIC-1428
OR42006170-20	61.70	4.20	CR	SIC-2076
OR14006180-10	61.80	1.40	NBR	SIC-1545
OR21006180-08	61.80	2.10	NBR	SIC-894
OR32006180-08	61.80	3.20	NBR	SIC-1217
OR32006180-08	61.80	3.20	NBR	SIC-2129
OR31006183-64	61.83	3.10	FKM	SIC-1074
OR35306190-08	61.90	3.53	NBR	SIC-174
OR23806191-08	61.91	2.38	NBR	SIC-1184
OR39706191-64	61.91	3.97	FKM	SIC-123
OR17806192-64	61.92	1.78	FKM	SIC-1887
OR15106199-D5	61.99	1.51	HNBR	SIC-1811
OR10006200-08	62.00	1.00	NBR	SIC-1733
OR10006200-43	62.00	1.00	VMQ	SIC-1855
OR15006200-08	62.00	1.50	NBR	SIC-587
OR15006200-T9	62.00	1.50	FKM	SIC-2099
OR20006200-08	62.00	2.00	NBR	SIC-1396
OR20006200-64	62.00	2.00	FKM	SIC-649
OR20006200-08	62.00	2.00	NBR	SIC-878
OR21006200-64	62.00	2.10	FKM	SIC-1389
OR23306200-08	62.00	2.33	NBR	SIC-1998
OR25006200-64	62.00	2.50	FKM	SIC-1142
OR25006200-08	62.00	2.50	NBR	SIC-541
OR25006200-T5	62.00	2.50	FKM	SIC-1667
OR25006200-R1	62.00	2.50	FVMQ	SIC-2128
OR26006200-08	62.00	2.60	NBR	SIC-1663
OR27506200-08	62.00	2.75	NBR	SIC-1327
OR30006200-64	62.00	3.00	FKM	SIC-793
OR30006200-08	62.00	3.00	NBR	SIC-500

Part No.	d	c/s	Material	Mould No.
OR30006200-08	62.00	3.00	NBR	SIC-762
OR30006200-T5	62.00	3.00	EPDM	SIC-2108
OR32006200-64	62.00	6.20	FKM	SIC-1510
OR33006200-08	62.00	3.30	NBR	SIC-621
OR34006200-08	62.00	3.40	NBR	SIC-1424
OR35006200-20	62.00	3.50	CR	SIC-954
OR35006200-T2	62.00	3.50	VMQ	SIC-2303
OR35506200-67	62.00	3.55	FKM	SIC-1227
OR40006200-32	62.00	4.00	EPDM	SIC-1341
OR40006200-64	62.00	4.00	FKM	SIC-1152
OR40006200-08	62.00	4.00	NBR	SIC-968
OR40006200-08	62.00	4.00	NBR	SIC-411
OR40006200-R1	62.00	4.00	FVMQ	SIC-1961
OR40006200-D5	62.00	4.00	HNBR	SIC-2358
OR40006200-43	62.00	4.00	VMQ	SIC-2382
OR47006200-11	62.00	4.70	NBR	SIC-2148
OR47506200-10	62.00	4.75	NBR	SIC-713
OR50006200-66	62.00	5.00	FKM	SIC-1232
OR50006200-08	62.00	5.00	NBR	SIC-289
OR50006200-T5	62.00	5.00	EPDM	SIC-2119
OR50006200-43	62.00	5.00	VMQ	SIC-2065
OR53306200-64	62.00	5.33	FKM	SIC-987
OR55006200-64	62.00	5.50	FKM	SIC-1243
OR55006200-08	62.00	5.50	NBR	SIC-1405
OR60006200-39	62.00	6.00	VMQ	SIC-1177
OR60006200-08	62.00	6.00	NBR	SIC-103
OR60006200-08	62.00	6.00	FKM	SIC-777
OR60006200-64	62.00	6.00	FKM	SIC-782
OR63006200-08	62.00	6.30	NBR	SID-658
OR66006200-08	62.00	6.60	NBR	SID-1292
OR70006200-08	62.00	7.00	NBR	SID-1216
OR70006200-64	62.00	7.00	FKM	SID-1661
OR80006200-32	62.00	8.00	EPDM	SID-1468
OR80006200-08	62.00	8.00	NBR	SID-852
OR82006200-08	62.00	8.20	NBR	SID-1508
OR10006200-43	62.00	10.00	VMQ	SID-1776
OR16006200-08	62.00	16.00	NBR	SID-1296
OR58006210-67	62.10	5.80	FKM	SIC-797
OR45306215-32	62.15	4.53	EPDM	SIC-1254
OR45306215-08	62.15	4.53	NBR	SIC-1766
OR30006220-32	62.20	3.00	EPDM	SIC-557
OR57006220-08	62.20	5.70	NBR	SIC-380
OR27506240-11	62.40	2.75	NBR	SIC-2012
OR35006240-10	62.40	3.50	NBR	SIC-2068
OR57506240-08	62.40	5.75	NBR	SIC-2320
OR25006250-08	62.50	2.50	NBR	SIC-2372
OR30006250-06	62.50	3.00	NBR	SIC-1880
OR30006250-67	62.50	3.00	FKM	SIC-1791
OR36006250-08	62.50	3.60	NBR	SIC-628
OR38006250-11	62.50	3.80	NBR	SIC-2000
OR40006250-D5	62.50	4.00	HNBR	SIC-2315
OR46006250-43	62.50	4.60	VMQ	SIC-1828
OR53306250-66	62.50	5.33	FKM	SIC-1696
OR55006250-08	62.50	5.50	NBR	SIC-538
OR55006250-08	62.50	5.50	NBR	SIC-205
OR23006270-64	62.60	2.30	FKM	SIC-859
OR24006260-43	62.60	2.40	VMQ	SIC-2037
OR38006260-08	62.60	3.80	NBR	SIC-994
OR57006260-08	62.60	5.70	NBR	SIC-1291
OR23806262-64	62.62	2.38	FKM	SIC-1976
OR24006270-08	62.70	2.40	NBR	SIC-426
OR40006270-18	62.70	4.00	CR	SIC-2199
OR53006280-08	62.80	5.30	NBR	SIC-388
OR22706282-08	62.82	2.27	NBR	SIC-2266
OR53306287-08	62.87	5.33	NBR	SIC-637
OR53306287-64	62.87	5.33	FKM	SIC-698
OR53306287-Z1	62.87	5.33	HNBR	SIC-1916
OR53306287-03	62.87	5.33	NBR	SIC-2091
OR10006300-08	63.00	1.00	NBR	SIC-1568
OR10006300-64	63.00	1.00	FKM	SIC-1789
OR15006300-08	63.00	1.50	NBR	SIC-1162
OR15006300-32	63.00	1.50	EPDM	SIC-1868
OR20006300-08	63.00	2.00	NBR	SIC-647

Bold sizes are readily available in stock.
 Other material are available on request.

Part No.	d	c/s	Material	Mould No.
OR20006300-64	63.00	2.00	FKM	SIC-1110
OR22506300-08	63.00	2.25	NBR	SIC-1427
OR25006300-64	63.00	2.50	FKM	SIC-992
OR25006300-08	63.00	2.50	NBR	SIC-209
OR26006300-08	63.00	2.60	NBR	SIC-2087
OR28006300-64	63.00	2.80	FKM	SIC-1505
OR30006300-32	63.00	3.00	EPDM	SIC-1517
OR30006300-64	63.00	3.00	FKM	SIC-1529
OR30006300-43	63.00	3.00	VMQ	SIC-1328
OR30006300-08	63.00	3.00	NBR	SIC-620
OR32006300-08	63.00	3.20	NBR	SIC-812
OR33006300-64	63.00	3.30	FKM	SIC-1452
OR35006300-08	63.00	3.50	NBR	SIC-352
OR35006300-08	63.00	3.50	NBR	SIC-481
OR35006300-64	63.00	3.50	FKM	SIC-1410
OR37506300-08	63.00	3.75	NBR	SIC-1541
OR40006300-08	63.00	4.00	NBR	SIC-687
OR40006300-64	63.00	4.00	FKM	SIC-1632
OR45006300-08	63.00	4.50	NBR	SIC-789
OR45006300-49	63.00	4.50	HNBR	SIC-2154
OR45306300-64	63.00	4.53	FKM	SIC-844
OR50006300-64	63.00	5.00	FKM	SIC-1419
OR50006300-08	63.00	5.00	NBR	SIC-213
OR50006300-L3	63.00	5.00	AFLAS	SIC-1708
OR50006300-T5	63.00	5.00	EPDM	SIC-2066
OR51006300-06	63.00	5.10	NBR	SIC-1040
OR51006300-06	63.00	5.10	NBR	SIC-969
OR52006300-08	63.00	5.20	NBR	SIC-999
OR52006300-L5	63.00	5.20	PU	POB-214
OR53006300-06	63.00	5.30	NBR	SIC-1417
OR53006300-06	63.00	5.30	NBR	SIC-2194
OR53306300-Z1	63.00	5.33	NBR	SIC-1403
OR60006300-32	63.00	6.00	EPDM	SIC-823
OR60006300-08	63.00	6.00	NBR	SIC-530
OR60006300-43	63.00	6.00	VMQ	SIC-1919
OR65006300-08	63.00	6.50	NBR	SIC-673
OR65006300-06	63.00	6.50	NBR	SIC-1678
OR70006300-08	63.00	6.99	NBR	SIC-418
OR80006300-08	63.00	8.00	NBR	SIC-1575
OR85006300-08	63.00	8.50	NBR	SIC-757
OR12006300-08	63.00	12.00	NBR	SIC-1829
OR35306309-87	63.09	3.53	PU	POB-173
OR35306309-64	63.09	3.53	FKM	SIC-1313
OR35306309-08	63.09	3.53	NBR	SIC-125
OR35306309-10	63.09	3.53	NBR	SIC-1044
OR35306309-64	63.09	3.53	FKM	SIC-638
OR35306309-32	63.09	3.53	EPDM	SIC-2144
OR36306309-T5	63.09	3.63	EPDM	SIC-2110
OR37506309-32	63.09	3.75	EPDM	SIC-2289
OR26206317-08	63.17	2.62	NBR	SIC-648
OR26206317-64	63.17	2.62	FKM	SIC-906
OR28206317-11	63.17	2.82	NBR	SIC-1795
OR17806322-64	63.22	1.78	FKM	SIC-1487
OR17806322-08	63.22	1.78	NBR	SIC-225
OR17806322-49	63.22	1.78	HNBR	SIC-2215
OR28906346-67	63.46	2.89	FKM	SIC-1847
OR10006350-08	63.50	1.00	NBR	SIC-2293
OR16006350-08	63.50	1.60	NBR	SIC-1496
OR20006350-08	63.50	2.00	NBR	SIC-1169
OR20006350-08	63.50	2.00	NBR	SIC-1435
OR23806350-32	63.50	2.38	EPDM	SIC-1654
OR25006350-64	63.50	2.50	FKM	SIC-854
OR40006350-L5	63.50	3.00	PU	POB-249
OR30006350-08	63.50	3.00	NBR	SIC-1968
OR30006350-64	63.50	3.00	FKM	SIC-853
OR31706350-08	63.50	3.17	NBR	SIC-313
OR32006350-08	63.50	3.20	NBR	SIC-1388
OR32506350-64	63.50	3.25	FKM	SIC-2096
OR34006350-64	63.50	3.40	FKM	SIC-1239
OR35006350-67	63.50	3.50	FKM	SIC-1771
OR35006350-T5	63.50	3.50	EPDM	SIC-1969
OR35306350-L5	63.50	3.53	PU	POB-226
OR35306350-D5	63.50	3.53	HNBR	SIC-1684

Part No.	d	c/s	Material	Mould No.
OR38006350-66	63.50	3.80	FKM	SIC-1521
OR40006350-64	63.50	4.00	FKM	SIC-1268
OR47506350-08	63.50	4.75	NBR	SIC-1015
OR50006350-08	63.50	5.00	NBR	SIC-1484
OR50006350-64	63.50	5.00	FKM	SIC-1269
OR52506350-R3	63.50	5.25	PU	POB-224
OR53506350-L5	63.50	5.35	PU	POB-299
OR58006350-64	63.50	5.80	FKM	SIC-1383
OR35006360-64	63.60	3.50	FKM	SIC-1367
OR57006360-32	63.60	5.70	EPDM	SIC-2305
OR30206366-08	63.66	3.02	NBR	SIC-1933
OR21806368-33	63.68	2.18	EPDM	SIC-934
OR37506375-08	63.75	3.75	NBR	SIC-2374
OR18006380-08	63.80	1.80	NBR	SIC-669
OR53306380-67	63.80	5.33	FKM	SIC-712
OR35006386-08	63.86	3.50	NBR	SIC-1167
OR46506396-11	63.96	4.65	NBR	SIC-2333
OR10006400-08	64.00	1.00	NBR	SIC-1575
OR15006400-64	64.00	1.50	FKM	SIC-1170
OR15006400-08	64.00	1.50	NBR	SIC-1587
OR20006400-08	64.00	2.00	NBR	SIC-1525
OR20006400-64	64.00	2.00	FKM	SIC-1321
OR20006400-08	64.00	2.00	NBR	SIC-249
OR20006400-D5	64.00	2.00	HNBR	SIC-1840
OR20006400-55	64.00	2.00	ACM	SIC-2106
OR22006400-08	64.00	2.20	NBR	SIC-1019
OR22006400-55	64.00	2.20	ACM	SIC-1017
OR24006400-08	64.00	2.40	NBR	SIC-2252
OR25006400-08	64.00	2.50	NBR	SIC-376
OR25006400-64	64.00	2.50	FKM	SIC-1163
OR26006400-64	64.00	2.60	FKM	SIC-602
OR28006400-08	64.00	2.80	NBR	SIC-1953
OR30006400-L5	64.00	3.00	PU	POB-125
OR30006400-08	64.00	3.00	NBR	SIC-1147
OR30006400-66	64.00	3.00	FKM	SIC-1080
OR30006400-64	64.00	3.00	FKM	SIC-578
OR30006400-08	64.00	3.00	NBR	SIC-1669
OR30006400-20	64.00	3.00	CR	SIC-2222
OR31506400-08	64.00	3.15	NBR	SIC-169
OR31506400-08	64.00	3.15	NBR	SIC-600
OR33006400-10	64.00	3.30	NBR	SIC-2344
OR35006400-43	64.00	3.50	VMQ	SIC-1154
OR35006400-64	64.00	3.50	FKM	SIC-1493
OR35006400-08	64.00	3.50	NBR	SIC-749
OR35006400-67	64.00	3.50	FKM	SIC-2359
OR38006400-08	64.00	3.80	NBR	SIC-1485
OR40006400-64	64.00	4.00	FKM	SIC-1061
OR40006400-T4	64.00	4.00	EPDM	SIC-1374
OR40006400-08	64.00	4.00	NBR	SIC-692
OR47606400-08	64.00	4.76	NBR	SIC-1884
OR50006400-08	64.00	5.00	NBR	SIC-471
OR55006400-08	64.00	5.50	NBR	SIC-525
OR55006400-43	64.00	5.50	VMQ	SIC-1495
OR60006400-08	64.00	6.00	NBR	SIC-231
OR60006400-64	64.00	6.00	FKM	SIC-818
OR63506400-08	64.00	6.35	NBR	SIC-435
OR65006400-43	64.00	6.50	VMQ	SIC-1426
OR70006400-41	64.00	7.00	VMQ	SIC-1543
OR75006400-08	64.00	7.50	NBR	SIC-1185
OR75006400-R1	64.00	7.50	FVMQ	SIC-1194
OR80006400-08	64.00	8.00	NBR	SIC-1135
OR84006410-08	64.10	8.40	NBR	SIC-1445
OR25006417-D5	64.17	2.50	HNBR	SIC-837
OR36006420-08	64.20	3.60	NBR	SIC-166
OR38006420-D5	64.20	3.80	HNBR	SIC-1736
OR57006420-08	64.20	5.70	NBR	SIC-123
OR66006425-08	64.25	6.60	NBR	SIC-1391
OR57006430-39	64.30	5.70	VMQ	SIC-1309
OR57006430-08	64.30	5.70	NBR	SIC-1438
OR19006435-08	64.35	1.90	NBR	SIC-2050
OR31006440-08	64.40	3.10	NBR	SIC-1139
OR31006440-43	64.40	3.10	VMQ	SIC-1552
OR32006440-64	64.40	3.20	FKM	SIC-1297

Bold sizes are readily available in stock.
Other material are available on request.

Part No.	d	c/s	Material	Mould No.
OR40006440-64	64.40	4.00	FKM	SIC-2262
OR45006440-S8	64.40	4.50	NBR	SIC-2240
OR37706449-08	64.49	3.77	NBR	SIC-1731
OR24006450-08	64.50	2.40	NBR	SIC-993
OR28006450-20	64.50	2.80	CR	SIC-1755
OR30006450-08	64.50	3.00	NBR	SIC-625
OR30006450-R1	64.50	3.00	FVMQ	SIC-2272
OR30006450-O4	64.50	3.00	FKM	SIC-2282
OR35006450-20	64.50	3.50	CR	SIC-1712
OR35006450-67	64.50	3.50	NBR	SIC-1816
OR41006450-64	64.50	4.10	FKM	SIC-1872
OR55006450-67	64.50	5.50	FKM	SID-1403
OR63006450-08	64.50	6.30	NBR	SID-1022
OR17006460-64	64.60	1.70	FKM	SIC-2014
OR24006460-64	64.60	2.40	FKM	SIC-1819
OR30006460-08	64.60	3.00	NBR	SIC-1035
OR57006460-08	64.60	5.70	NBR	SID-478
OR57006460-43	64.60	5.70	VMQ	SID-1599
OR50006470-67	64.70	5.00	FKM	SIC-1399
OR53306470-Z1	64.70	5.33	NBR	SID-1090
OR17806477-08	64.77	1.78	NBR	SIC-1809
OR20006477-08	64.77	2.00	NBR	SIC-455
OR20006477-43	64.77	2.00	VMQ	SIC-1823
OR26206477-10	64.77	2.62	NBR	SIC-582
OR26206477-64	64.77	2.62	FKM	SIC-779
OR26206477-64	64.77	2.62	FKM	SIC-783
OR26206477-08	64.77	2.62	NBR	SIC-2387
OR35006477-08	64.77	3.50	NBR	SIC-2124
OR28506480-67	64.80	2.85	FKM	SIC-1220
OR38006480-08	64.80	3.80	NBR	SIC-1471
OR42006480-08	64.80	4.20	NBR	SIC-1386
OR40306482-64	64.82	4.03	FKM	SIC-1550
OR65006490-U2	64.90	6.50	FKM	SID-1096
OR10006500-08	65.00	1.00	NBR	SIC-1392
OR10006500-64	65.00	1.00	FKM	SIC-1796
OR15006500-04	65.00	1.50	NBR	SIC-257
OR15006500-08	65.00	1.50	NBR	SIC-1864
OR15006500-64	65.00	1.50	FKM	SIC-1920
OR15006500-L5	65.00	1.50	PU	POB-281
OR17006500-64	65.00	1.70	FKM	SIC-1813
OR20006500-08	65.00	2.00	NBR	SIC-214
OR20006500-32	65.00	2.00	EPDM	SIC-1634
OR20006500-66	65.00	2.00	FKM	SIC-1980
OR22506500-64	65.00	2.25	FKM	SIC-509
OR25006500-08	65.00	2.50	NBR	SIC-731
OR25006500-64	65.00	2.50	FKM	SIC-1085
OR26206500-D5	65.00	2.62	HNBR	SIC-949
OR26506500-08	65.00	2.65	NBR	SIC-1026
OR27006500-08	65.00	2.70	NBR	SIC-415
OR30006500-08	65.00	3.00	NBR	SIC-806
OR30006500-08	65.00	3.00	NBR	SIC-808
OR30006500-64	65.00	3.00	FKM	SIC-858
OR30006500-08	65.00	3.00	NBR	SIC-206
OR30006500-T5	65.00	3.00	EPDM	SIC-2286
OR31006500-43	65.00	3.10	VMQ	SIC-1107
OR34006500-64	65.00	3.40	FKM	SIC-1138
OR35506500-64	65.00	3.55	FKM	SIC-1196
OR40006500-08	65.00	4.00	NBR	SIC-156
OR40006500-66	65.00	4.00	FKM	SIC-927
OR40006500-BA	65.00	4.00	FKM	SIC-1699
OR40006500-T5	65.00	4.00	EPDM	SIC-1679
OR40006500-64	65.00	4.00	FKM	SIC-2229
OR45006500-64	65.00	4.50	FKM	SIC-1112
OR45006500-08	65.00	4.50	NBR	SIC-428
OR50006500-64	65.00	5.00	FKM	SIC-1186
OR50006500-08	65.00	5.00	NBR	SIC-184
OR50006500-L5	65.00	5.00	PU	POB-267
OR50006500-43	65.00	5.00	VMQ	SIC-2251
OR53006500-08	65.00	5.30	NBR	SID-1653
OR53306500-11	65.00	5.33	NBR	SID-1439
OR55006500-43	65.00	5.50	VMQ	SID-952
OR55006500-08	65.00	5.50	NBR	SID-902
OR55006500-66	65.00	5.50	FKM	SID-1724

Part No.	d	c/s	Material	Mould No.
OR56006500-08	65.00	5.60	NBR	SID-459
OR57006500-66	65.00	5.70	FKM	SID-856
OR58006500-08	65.00	5.80	NBR	SID-670
OR60006500-08	65.00	6.00	NBR	SID-116
OR60006500-43	65.00	6.00	VMQ	SID-1825
OR63506500-64	65.00	6.35	FKM	SID-1263
OR70006500-08	65.00	7.00	NBR	SID-366
OR65006500-32	65.00	6.50	EPDM	SID-1018
OR85006500-08	65.00	8.50	NBR	SID-1342
OR10006500-64	65.00	10.00	FKM	SID-1593
OR79506507-C1	65.07	7.95	XNBR	SID-1822
OR23806509-43	65.09	2.38	VMQ	SIC-1704
OR35306509-08	65.09	3.53	NBR	SIC-281
OR35306509-N8	65.09	3.53	NBR	SIC-921
OR35306510-64	65.10	3.53	FKM	SIC-748
OR56006510-08	65.10	5.60	NBR	SID-265
OR80006520-10	65.20	8.00	NBR	SID-608
OR80006520-64	65.20	8.00	FKM	SID-1793
OR80006530-10	65.30	8.00	NBR	SID-1184
OR45365320-C1	65.32	4.53	XNBR	SIC-2191
OR32506533-08	65.33	3.25	NBR	SIC-1440
OR17806540-08	65.40	1.78	NBR	SIC-733
OR26306540-D6	65.40	2.63	HNBR	SIC-1118
OR25006550-08	65.50	2.50	NBR	SIC-1762
OR50006550-08	65.50	5.00	NBR	SID-1195
OR53006550-64	65.50	5.30	FKM	SID-1365
OR54006550-R1	65.50	5.40	FVMQ	SID-1690
OR31006560-08	65.60	3.10	NBR	SIC-1590
OR52006560-64	65.60	5.20	FKM	SID-1266
OR26206570-06	65.70	2.62	NBR	SIC-1294
OR26206570-06	65.70	2.62	NBR	SIC-1273
OR35306577-64	65.77	3.53	FKM	SIC-895
OR17706586-D5	65.86	1.77	HNBR	SIC-1725
OR24006587-D5	65.87	2.40	HNBR	SIC-1727
OR10006600-08	66.00	1.00	NBR	SIC-1982
OR15006600-04	66.00	1.50	NBR	SIC-1685
OR17806600-D5	66.00	1.78	HNBR	SIC-1860
OR20006600-64	66.00	2.00	FKM	SIC-1199
OR20006600-08	66.00	2.00	NBR	SIC-136
OR22006600-68	66.00	2.20	NBR	SIC-1018
OR22006600-55	66.00	2.20	ACM	SIC-1016
OR22706600-08	66.00	2.27	NBR	SIC-1942
OR25006600-08	66.00	2.50	NBR	SIC-173
OR25006600-08	66.00	2.50	HNBR	SIC-1438
OR25006600-64	66.00	2.50	FKM	SIC-2202
OR26006600-G1	66.00	2.60	ACM	SIC-598
OR26006600-08	66.00	2.60	NBR	SIC-1592
OR30006600-08	66.00	3.00	NBR	SIC-964
OR30006600-64	66.00	3.00	FKM	SIC-727
OR31006600-65	66.00	3.10	FKM	SIC-2390
OR33006600-64	66.00	3.30	FKM	SIC-910
OR35006600-11	66.00	3.50	NBR	SIC-1209
OR38006600-10	66.00	3.80	NBR	SIC-1720
OR40006600-08	66.00	4.00	NBR	SIC-627
OR40006600-T2	66.00	4.00	VMQ	SIC-1867
OR45006600-08	66.00	4.50	NBR	SIC-498
OR45006600-32	66.00	4.50	EPDM	SIC-1930
OR45006600-64	66.00	4.50	VMQ	SIC-2015
OR50006600-64	66.00	5.00	FKM	SID-1174
OR50006600-08	66.00	5.00	NBR	SID-483
OR50006600-32	66.00	5.00	EPDM	SID-1302
OR50006600-T5	66.00	5.00	EPDM	SID-1477
OR50006600-L5	66.00	5.00	PU	POB-275
OR53006600-08	66.00	5.30	NBR	SID-285
OR55006600-08	66.00	5.50	NBR	SID-874
OR55006600-67	66.00	5.50	FKM	SID-1387
OR60006600-08	66.00	6.00	NBR	SID-421
OR65006600-32	66.00	6.50	EPDM	SID-1565
OR70006600-08	66.00	7.00	NBR	SID-982
OR70006600-64	66.00	7.00	FKM	SID-1507
OR75006600-08	66.00	7.50	NBR	SID-940
OR80006600-66	66.00	8.00	FKM	SID-1768
OR94506600-06	66.00	9.45	NBR	SID-918

Bold sizes are readily available in stock.
 Other material are available on request.

Part No.	d	c/s	Material	Mould No.
OR95006600-06	66.00	9.50	NBR	SID-1384
OR47606604-L5	66.04	4.76	PU	POB-296
OR53306604-L5	66.04	5.33	PU	POB-242
OR53306604-08	66.04	5.33	NBR	SID-508
OR53306604-10	66.04	5.33	NBR	SID-642
OR53306604-64	66.04	5.33	FKM	SID-806
OR28506615-64	66.15	2.85	FKM	SIC-1925
OR45006625-D5	66.25	4.50	HNBR	SID-1665
OR35306627-87	66.27	3.53	PU	POB-174
OR35306627-32	66.27	3.53	EPDM	SIC-1251
OR35306627-64	66.27	3.53	FKM	SIC-872
OR35306627-08	66.27	3.53	NBR	SIC-772
OR25006628-D5	66.28	2.50	HNBR	SIC-1854
OR16006630-08	66.30	1.60	NBR	SIC-1455
OR23506630-08	66.30	2.35	NBR	SIC-1215
OR26006630-R1	66.30	2.60	FVMQ	SIC-2217
OR53306630-11	66.30	5.33	NBR	SID-1572
OR26206634-64	66.34	2.62	FKM	SIC-847
OR26206634-08	66.34	2.62	NBR	SIC-556
OR17806640-64	66.40	1.78	FKM	SIC-885
OR17806640-08	66.40	1.78	NBR	SIC-396
OR18006640-66	66.40	1.80	FKM	SIC-935
OR10006645-64	66.45	1.00	FKM	SIC-2288
OR10006650-28	66.50	1.00	EPDM	SIC-2178
OR12506650-08	66.50	1.25	NBR	SIC-1600
OR22006650-08	66.50	2.20	NBR	SIC-1662
OR35006650-08	66.50	3.50	NBR	SIC-377
OR42006650-20	66.50	4.20	CR	SIC-1023
OR50006650-08	66.50	5.00	NBR	SIC-143
OR60006650-08	66.50	6.00	NBR	SID-1747
OR94006650-08	66.50	9.40	NBR	SID-1177
OR24006660-08	66.60	2.40	NBR	SIC-1057
OR57006660-08	66.60	5.70	NBR	SID-616
OR25006667-64	66.67	2.50	FKM	SIC-1267
OR35306667-L5	66.67	3.53	PU	POB-227
OR35306667-08	66.67	3.53	NBR	SIC-1806
OR40006667-64	66.67	4.00	FKM	SIC-1270
OR31806668-10	66.68	3.18	NBR	SIC-1693
OR35306668-43	66.68	3.53	VMQ	SIC-1090
OR47506670-08	66.70	4.75	NBR	SID-228
OR57006670-65	66.70	5.70	FKM	SID-1510
OR37506675-08	66.75	3.75	NBR	SIC-2377
OR17806680-08	66.80	1.78	NBR	SIC-2070
OR50006680-64	66.80	5.00	FKM	SID-854
OR30206683-64	66.83	3.02	FKM	SIC-1381
OR31706685-08	66.85	3.17	NBR	SIC-679
OR15006700-08	67.00	1.50	NBR	SIC-1225
OR15006700-64	67.00	1.50	FKM	SIC-860
OR16006700-08	67.00	1.60	NBR	SIC-641
OR16006700-08	67.00	1.60	NBR	SIC-891
OR16506700-64	67.00	1.65	FKM	SIC-506
OR18006700-06	67.00	1.80	NBR	SIC-1353
OR20006700-08	67.00	2.00	NBR	SIC-729
OR20006700-04	67.00	2.00	NBR	SIC-1734
OR20006700-64	67.00	2.00	FKM	SIC-1821
OR25006700-08	67.00	2.50	NBR	SIC-449
OR25006700-D5	67.00	2.50	HNBR	SIC-839
OR25006700-64	67.00	2.50	FKM	SIC-1822
OR25006700-66	67.00	2.50	FKM	SIC-1889
OR30006700-64	67.00	3.00	FKM	SIC-1260
OR30006700-08	67.00	3.00	NBR	SIC-394
OR30006700-08	67.00	3.00	NBR	SID-903
OR30006700-AQ	67.00	3.00	VMQ	SIC-2075
OR35006700-08	67.00	3.50	NBR	SIC-634
OR35006700-09	67.00	3.50	NBR	SIC-2117
OR35006700-65	67.00	3.50	FKM	SIC-2112
OR35506700-64	67.00	3.55	FKM	SIC-1555
OR35506700-08	67.00	3.55	NBR	SIC-1218
OR36006700-65	67.00	3.60	FKM	SIC-2184
OR40006700-08	67.00	4.00	NBR	SID-124
OR45006700-64	67.00	4.50	FKM	SID-996
OR45006700-08	67.00	4.50	NBR	SID-1075
OR46006700-08	67.00	4.60	NBR	SID-1440

Part No.	d	c/s	Material	Mould No.
OR50006700-08	67.00	5.00	NBR	SID-1060
OR53006700-08	67.00	5.30	NBR	SID-1823
OR55006700-08	67.00	5.50	NBR	SID-254
OR56006700-08	67.00	5.60	NBR	SID-1378
OR60006700-08	67.00	6.00	NBR	SID-1217
OR65006700-08	67.00	6.50	NBR	SID-1010
OR70006700-08	67.00	7.00	NBR	SID-786
OR75006700-64	67.00	7.50	FKM	SID-1161
OR10006700-08	67.00	10.00	NBR	SID-635
OR24006720-64	67.20	2.40	FKM	SIC-938
OR53306734-64	67.34	5.33	FKM	SID-1102
OR53306740-06	67.40	5.33	NBR	SID-646
OR35006744-67	67.44	3.50	FKM	SIC-1770
OR30006745-64	67.45	3.00	FKM	SIC-1078
OR20006750-06	67.50	2.00	NBR	SIC-2175
OR25006750-08	67.50	2.50	NBR	SIC-2376
OR30006750-08	67.50	3.00	NBR	SIC-1133
OR37006750-64	67.50	3.70	FKM	SIC-1446
OR40006750-64	67.50	4.00	FKM	SIC-132
OR35306756-67	67.56	3.53	FKM	SIC-1176
OR31406759-64	67.59	3.14	FKM	SIC-1072
OR24006760-43	67.60	2.40	VMQ	SIC-1850
OR24006760-08	67.60	2.40	NBR	SIC-2048
OR24006760-32	67.60	2.40	EPDM	SIC-2123
OR35006760-64	67.60	3.50	FKM	SIC-1366
OR35006760-D5	67.60	3.50	HNBR	SIE-562
OR35006766-08	67.66	3.50	NBR	SIC-1451
OR37706767-64	67.67	3.77	FKM	SID-1148
OR33006776-66	67.76	3.30	FKM	SIC-1293
OR26206795-64	67.95	2.62	FKM	SIC-850
OR26206795-08	67.95	2.62	NBR	SIC-601
OR10006800-08	68.00	1.00	NBR	SIC-1581
OR15006800-08	68.00	1.50	NBR	SIC-1591
OR17806800-08	68.00	1.78	NBR	SIC-1262
OR18006800-08	68.00	1.80	NBR	SIC-1449
OR20006800-64	68.00	2.00	FKM	SIC-1089
OR20006800-64	68.00	2.00	FKM	SIC-981
OR20006800-08	68.00	2.00	NBR	SIC-443
OR20006800-J3	68.00	2.00	Butyl Rubber	SIC-1781
OR22006800-64	68.00	2.20	FKM	SIC-1895
OR25006800-08	68.00	2.50	NBR	SIC-1226
OR30006800-L5	68.00	3.00	PU	POB-207
OR30006800-64	68.00	3.00	FKM	SIC-1007
OR30006800-08	68.00	3.00	FKM	SIC-845
OR30006800-08	68.00	3.00	NBR	SIC-696
OR31006800-11	68.00	3.10	NBR	SIC-1907
OR31006800-64	68.00	3.10	FKM	SIC-1897
OR32006800-08	68.00	3.20	NBR	SIC-2401
OR35006800-64	68.00	3.50	FKM	SIC-1058
OR35006800-08	68.00	3.50	NBR	SIC-433
OR35006800-43	68.00	3.50	VMQ	SIC-427
OR37506800-08	68.00	3.75	NBR	SID-1273
OR38006800-08	68.00	3.80	NBR	SID-353
OR40006800-08	68.00	4.00	NBR	SID-472
OR40006800-43	68.00	4.00	VMQ	SID-1627
OR43006800-10	68.00	4.30	NBR	SID-881
OR45006800-08	68.00	4.50	NBR	SID-552
OR50006800-08	68.00	5.00	NBR	SID-154
OR50006800-34	68.00	5.00	EPDM	SID-700
OR50006800-64	68.00	5.00	FKM	SID-887
OR53306800-08	68.00	5.33	NBR	SID-258
OR57006800-08	68.00	5.70	NBR	SID-864
OR60006800-L5	68.00	6.00	PU	POB-237
OR60006800-64	68.00	6.00	FKM	SID-103
OR60006800-08	68.00	6.00	NBR	SID-504
OR63006800-64	68.00	6.30	FKM	SID-1315
OR65006800-04	68.00	6.50	NBR	SID-1313
OR70006800-08	68.00	7.00	NBR	SID-395
OR70006800-43	68.00	7.00	VMQ	SID-840
OR80006800-41	68.00	8.00	VMQ	SID-1545
OR17806806-D5	68.06	1.78	HNBR	SIC-1892
OR35006810-08	68.10	3.50	NBR	SID-1646
OR26006820-64	68.20	2.60	FKM	SIC-1124

Bold sizes are readily available in stock.
Other material are available on request.

Part No.	d	c/s	Material	Mould No.
OR35306826-08	68.26	3.53	NBR	SID-531
OR35306826-CN	68.26	3.53	FKM	SID-1744
OR35306826-S8	68.26	3.53	NBR	SID-1828
OR47706826-08	68.26	4.77	NBR	SID-1804
OR53306826-64	68.26	5.33	FKM	SID-1552
OR33006830-08	68.30	3.30	NBR	SID-844
OR15006850-06	68.50	1.50	NBR	SIC-2168
OR18006850-64	68.50	1.80	FKM	SIC-2173
OR20006850-08	68.50	2.00	NBR	SIC-2105
OR35006850-08	68.50	3.50	NBR	SID-277
OR37006850-08	68.50	3.70	NBR	SID-604
OR45306850-08	68.50	4.53	NBR	SID-1478
OR55006850-64	68.50	5.50	FKM	SID-1757
OR58006850-08	68.50	5.80	NBR	SID-377
OR65006850-06	68.50	6.50	NBR	SID-1172
OR57006860-08	68.60	5.70	NBR	SID-1116
OR57006860-89	68.60	5.70	PU	POB-283
OR37506875-08	68.75	3.75	NBR	SID-1803
OR31006880-64	68.80	3.10	FKM	SIC-1066
OR32006880-08	68.80	3.20	NBR	SID-956
OR35606894-64	68.94	3.56	FKM	SID-1639
OR30006900-08	69.00	3.00	NBR	SID-905
OR10006900-08	69.00	1.00	NBR	SIC-1983
OR10006900-43	69.00	1.00	VMQ	SIC-2102
OR15006900-08	69.00	1.50	NBR	SIC-478
OR20006900-08	69.00	2.00	NBR	SIC-1627
OR20006900-43	69.00	2.00	VMQ	SIC-1765
OR25006900-08	69.00	2.50	NBR	SIC-210
OR25006900-D5	69.00	2.50	HNBR	SIC-838
OR26206900-67	69.00	2.62	FKM	SIC-1786
OR30006900-64	69.00	3.00	FKM	SIC-1060
OR30006900-08	69.00	3.00	NBR	SIC-818
OR30006900-08	69.00	3.00	NBR	SIC-533
OR33006900-08	69.00	3.30	NBR	SID-492
OR35006900-64	69.00	3.50	FKM	SID-612
OR35006900-32	69.00	3.50	EPDM	SID-1242
OR35006900-64	69.00	3.50	FKM	SID-618
OR35306900-64	69.00	3.53	FKM	SID-909
OR35506900-08	69.00	3.55	NBR	SID-792
OR35506900-T3	69.00	3.55	EPDM	SID-1813
OR40006900-64	69.00	4.00	FKM	SIC-1094
OR40006900-08	69.00	4.00	NBR	SID-187
OR40006900-L5	69.00	4.00	PU	POB-250
OR40006900-T2	69.00	4.00	VMQ	SID-867
OR45006900-08	69.00	4.50	NBR	SID-573
OR45006900-L5	69.00	4.50	PU	POB-261
OR50006900-T5	69.00	5.00	EPDM	SID-260
OR50006900-T9	69.00	5.00	FKM	SID-1514
OR52006900-64	69.00	5.20	FKM	SID-1782
OR55006900-08	69.00	5.50	NBR	SID-479
OR60006900-08	69.00	6.00	NBR	SID-415
OR70006900-08	69.00	7.00	NBR	SID-1218
OR75006900-43	69.00	7.50	VMQ	SID-1779
OR12006900-35	69.00	12.00	EPDM	SID-1171
OR32006904-L5	69.04	3.20	PU	POB-295
OR35006910-20	69.10	3.50	CR	SID-297
OR58006910-T2	69.10	5.80	VMQ	SID-1271
OR22606918-08	69.18	2.26	NBR	SIC-1935
OR53306920-06	69.20	5.33	NBR	SID-643
OR57006920-08	69.20	5.70	NBR	SID-270
OR57006920-64	69.20	5.70	FKM	SID-1473
OR58306920-64	69.20	5.83	FKM	SID-621
OR53306922-T5	69.22	5.33	EPDM	SID-978
OR53306922-08	69.22	5.33	NBR	SID-220
OR53306922-64	69.22	5.33	FKM	SID-613
OR53306922-64	69.22	5.33	FKM	SID-598
OR53306922-32	69.22	5.33	EPDM	SID-871
OR53306922-59	69.22	5.33	PU	POB-307
OR35006930-64	69.30	3.50	FKM	SID-967
OR57006930-08	69.30	5.70	NBR	SID-601
OR52806934-08	69.34	5.28	NBR	SID-1479
OR28006940-08	69.40	2.80	NBR	SIC-659
OR31006940-BU	69.40	3.10	NBR	SID-1346

Part No.	d	c/s	Material	Mould No.
OR31006940-64	69.40	3.10	FKM	SID-1451
OR35306944-08	69.44	3.53	NBR	SID-470
OR35306944-64	69.44	3.53	FKM	SID-499
OR35306944-T9	69.44	3.53	FKM	SID-1298
OR35306944-R1	69.44	3.53	FVMQ	SID-1400
OR35306944-11	69.44	3.53	NBR	SID-1530
OR53306944-87	69.44	5.33	PU	POB-230
OR43646946-64	69.46	4.34	FKM	SID-1170
OR20006950-08	69.50	2.00	NBR	SIC-1450
OR27506950-64	69.50	2.75	FKM	SIC-1482
OR30006950-08	69.50	3.00	NBR	SID-329
OR30006950-89	69.50	3.00	PU	POB-278
OR31706950-10	69.50	3.17	NBR	SID-528
OR36006950-R1	69.50	3.60	FVMQ	SID-1691
OR37506950-10	69.50	3.75	NBR	SID-1817
OR35006950-D5	69.50	3.50	HNBR	SID-732
OR57006950-08	69.50	5.70	NBR	SID-257
OR26206952-64	69.52	2.62	FKM	SIC-1490
OR26206952-08	69.52	2.62	NBR	SIC-397
OR26206952-64.	69.52	2.62	FKM	SIC-2130
OR17806957-64	69.57	1.78	FKM	SIC-1003
OR17806957-D6	69.57	1.78	HNBR	SIC-953
OR17806957-08	69.57	1.78	NBR	SIC-658
OR17806957-L3	69.57	1.78	AFLAS	SIC-1975
OR24006960-08	69.60	2.40	NBR	SIC-1620
OR52006960-64	69.60	5.20	FKM	SID-1730
OR35006985-08	69.85	3.50	NBR	SID-113
OR25006985-D5	69.85	2.50	HNBR	SID-654
OR47606985-64	69.85	4.76	FKM	SID-1134
OR63506985-11	69.85	6.35	NBR	SID-1069
OR95206985-08	69.85	9.52	NBR	SID-1721
OR48006990-08	69.90	4.80	NBR	SID-106
OR52006990-64	69.90	5.20	FKM	SID-1169
OR10007000-08	70.00	1.00	NBR	SIC-1579
OR12007000-43	70.00	1.20	VMQ	SIC-2058
OR13007000-06	70.00	1.30	NBR	SIC-2104
OR15007000-08	70.00	1.50	NBR	SIC-1580
OR16007000-08	70.00	1.60	NBR	SIC-1601
OR20007000-64	70.00	2.00	FKM	SIC-1032
OR20007000-08	70.00	2.00	NBR	SIC-364
OR20007000-32	70.00	2.00	EPDM	SIC-2398
OR23007000-08	70.00	2.30	NBR	SIC-1963
OR25007000-08	70.00	2.50	NBR	SIC-117
OR25007000-64	70.00	2.50	FKM	SIC-928
OR28007000-08	70.00	2.80	NBR	SID-1189
OR28007000-11	70.00	2.80	NBR	SID-1188
OR30007000-43	70.00	3.00	VMQ	SID-1243
OR30007000-59	70.00	3.00	PU	POB-132
OR30007000-64	70.00	3.00	FKM	SID-259
OR30007000-08	70.00	3.00	NBR	SID-275
OR30007000-T5	70.00	3.00	EPDM	SID-847
OR30007000-T9	70.00	3.00	FKM	SID-1436
OR30270000-C1	70.00	3.02	XNBR	SID-1673
OR32007000-10	70.00	3.20	NBR	SID-266
OR32507000-08	70.00	3.25	NBR	SID-471
OR33307000-D5	70.00	3.33	HNBR	SID-1715
OR33507000-32	70.00	3.35	EPDM	SID-1503
OR35007000-08	70.00	3.50	NBR	SID-460
OR35007000-64	70.00	3.50	FKM	SID-971
OR35007000-64	70.00	3.50	FKM	SID-1030
OR35007000-04	70.00	3.50	NBR	SID-1563
OR37007000-08	70.00	3.70	NBR	SID-1014
OR40007000-08	70.00	4.00	NBR	SID-121
OR40007000-64	70.00	4.00	FKM	SID-382
OR45007000-08	70.00	4.50	NBR	SID-331
OR45007000-64	70.00	4.50	FKM	SID-1398
OR50007000-59	70.00	5.00	PU	POB-136
OR50007000-08	70.00	5.00	NBR	SID-469
OR50007000-08	70.00	5.00	NBR	SID-132
OR50007000-64	70.00	5.00	FKM	SID-1063
OR50007000-08	70.00	5.00	NBR	SID-705
OR53007000-64	70.00	5.30	FKM	SID-550
OR53007000-09	70.00	5.30	NBR	SID-1679

Bold sizes are readily available in stock.
 Other material are available on request.

Part No.	d	c/s	Material	Mould No.
OR53307000-08	70.00	5.33	NBR	SID-1620
OR55007000-08	70.00	5.50	NBR	SID-142
OR55007000-64	70.00	5.50	FKM	SID-767
OR57007000-08	70.00	5.70	NBR	SID-936
OR58007000-66	70.00	5.80	FKM	SID-935
OR60007000-64	70.00	6.00	FKM	SID-974
OR60007000-08	70.00	6.00	NBR	SID-247
OR60007000-43	70.00	6.00	VMQ	SID-894
OR63007000-08	70.00	6.30	NBR	SID-1035
OR65007000-64	70.00	6.50	FKM	SID-484
OR69907000-T5	70.00	6.99	EPDM	SID-1532
OR70007000-08	70.00	7.00	NBR	SID-183
OR70007000-64	70.00	7.00	FKM	SID-1417
OR75007000-43	70.00	7.50	VMQ	SID-1453
OR75007000-64	70.00	7.50	FKM	SID-1567
OR75007000-08	70.00	7.50	NBR	SID-1756
OR80007000-08	70.00	8.00	NBR	SID-1073
OR80007000-64	70.00	8.00	FKM	SID-535
OR80007000-32	70.00	8.00	EPDM	SID-1350
OR85007000-08	70.00	8.50	NBR	SID-1832
OR10007000-08	70.00	10.00	NBR	SID-178
OR11007000-08	70.00	11.00	NBR	SID-1707
OR12007000-08	70.00	12.00	NBR	SID-947
OR30207001-08	70.01	3.02	NBR	SID-1484
OR35007012-08	70.12	3.50	NBR	SID-937
OR35307034-67	70.34	3.53	FKM	SID-1501
OR38007049-64	70.49	3.80	FKM	SID-1050
OR35507050-64	70.50	3.55	FKM	SID-1520
OR37007050-64	70.50	3.70	FKM	SID-1049
OR46007050-08	70.50	4.60	NBR	SID-809
OR70007050-08	70.50	7.00	NBR	SID-1255
OR57007060-64	70.60	5.70	FKM	SID-1008
OR57007060-08	70.60	5.70	NBR	SID-611
OR26007080-08	70.80	2.60	NBR	SID-1136
OR36007080-08	70.80	3.60	NBR	SID-763
OR37707085-08	70.85	3.77	NBR	SID-1483
OR22007100-64	71.00	2.20	FKM	SIC-1002
OR15007100-64	71.00	1.50	FKM	SIC-1098
OR15007100-08	71.00	1.50	NBR	SIC-1583
OR17807100-66	71.00	1.78	FKM	SIC-2004
OR20007100-08	71.00	2.00	NBR	SIC-1277
OR20007100-64	71.00	2.00	FKM	SIC-880
OR25007100-08	71.00	2.50	NBR	SID-244
OR26207100-64	71.00	2.62	FKM	SID-1081
OR26207100-08	71.00	2.62	NBR	SID-911
OR27507100-64	71.00	2.75	FKM	SID-1150
OR30007100-08	71.00	3.00	NBR	SID-1062
OR35007100-08	71.00	3.50	NBR	SID-149
OR35007100-T2	71.00	3.50	VMQ	SID-1330
OR35507100-64	71.00	3.55	FKM	SID-1710
OR40007100-08	71.00	4.00	NBR	SID-256
OR45007100-08	71.00	4.50	NBR	SID-320
OR45007100-32	71.00	4.50	EPDM	SID-1460
OR45007100-D5	71.00	4.50	HNBR	SID-1723
OR47507100-64	71.00	4.75	FKM	SID-907
OR50007100-08	71.00	5.00	NBR	SID-511
OR50007100-64	71.00	5.00	FKM	SID-1278
OR53307100-08	71.00	5.33	NBR	SID-957
OR70007100-10	71.00	7.00	NBR	SID-865
OR80007100-41	71.00	8.00	VMQ	SID-1544
OR95007100-06	71.00	9.50	NBR	SID-1144
OR95007100-06	71.00	9.50	NBR	SID-1380
OR12007100-08	71.00	12.00	NBR	SID-1527
OR26207112-06	71.12	2.62	NBR	SID-925
OR26207112-64	71.12	2.62	FKM	SID-768
OR26207118-08	71.18	2.62	NBR	SID-181
OR31007120-08	71.20	3.10	NBR	SID-355
OR27807122-08	71.22	2.78	NBR	SID-1385
OR51007130-10	71.30	5.10	NBR	SID-597
OR51007130-45	71.30	5.10	VMQ	SID-677
OR51007130-10	71.30	5.10	NBR	SID-688
OR57007130-64	71.30	5.70	FKM	SID-1402
OR26207137-08	71.37	2.62	NBR	SID-1576

Part No.	d	c/s	Material	Mould No.
OR35307137-BM	71.37	3.53	FKM	SID-1310
OR85007140-08	71.40	8.50	NBR	SID-641
OR27807144-08	71.44	2.78	NBR	SIC-1109
OR35307144-67	71.44	3.53	FKM	SID-559
OR35307144-08	71.44	3.53	NBR	SID-530
OR47707144-08	71.44	4.77	NBR	SID-1805
OR12007150-08	71.50	1.20	NBR	SIC-2003
OR15007150-08	71.50	1.50	NBR	SIC-1861
OR55007150-67	71.50	5.50	FKM	SID-1388
OR64007150-08	71.50	6.40	NBR	SID-1024
OR25007160-08	71.60	2.50	NBR	SID-599
OR35307160-19	71.60	3.53	CR	SID-1025
OR35307160-19	71.60	3.53	CR	SID-965
OR25007160-64	71.60	2.50	FKM	SID-975
OR46007160-64	71.60	4.60	FKM	SID-796
OR45307168-32	71.68	4.53	EPDM	SID-980
OR48007170-T5	71.70	4.80	EPDM	SID-1735
OR32007180-07	71.80	3.20	NBR	SID-1437
OR53007190-08	71.90	5.30	NBR	SID-1097
OR10007200-02	72.00	1.00	NBR	SIC-1702
OR15007200-08	72.00	1.50	NBR	SIC-452
OR20007200-64	72.00	2.00	FKM	SID-926
OR20007200-08	72.00	2.00	NBR	SID-324
OR20007200-D5	72.00	2.00	HNBR	SID-1819
OR23007200-08	72.00	2.30	NBR	SID-1509
OR25007200-08	72.00	2.50	NBR	SID-906
OR30007200-08	72.00	3.00	NBR	SID-359
OR30007200-64	72.00	3.00	FKM	SID-699
OR31507200-64	72.00	3.15	FKM	SID-1418
OR33207200-64	72.00	3.32	FKM	SID-1070
OR33907200-08	72.00	3.39	NBR	SID-1089
OR35007200-64	72.00	3.50	FKM	SID-518
OR35007200-08	72.00	3.50	NBR	SID-136
OR36007200-08	72.00	3.60	NBR	SID-836
OR40007200-08	72.00	4.00	NBR	SID-253
OR40007200-64	72.00	4.00	FKM	SID-458
OR40007200-64	72.00	4.00	FKM	SID-1279
OR40007200-20	72.00	4.00	CR	SID-869
OR45007200-08	72.00	4.50	NBR	SID-576
OR50007200-08	72.00	5.00	NBR	SID-137
OR50007200-64	72.00	5.00	FKM	SID-1028
OR55007200-08	72.00	5.50	NBR	SID-192
OR57007200-08	72.00	5.70	NBR	SID-1698
OR60007200-08	72.00	6.00	NBR	SID-314
OR65007200-06	72.00	6.50	NBR	SID-1772
OR72007200-08	72.00	7.20	NBR	SID-668
OR80007200-32	72.00	8.00	EPDM	SID-1582
OR85007200-08	72.00	8.50	NBR	SID-467
OR90007200-08	72.00	9.00	NBR	SID-1580
OR95007200-64	72.00	9.50	FKM	SID-1119
OR10007200-08	72.00	10.00	NBR	SID-1042
OR10007200-64	72.00	10.00	FKM	SID-1644
OR11507200-H2	72.00	11.50	Natural Rubber	SID-1420
OR12007200-08	72.00	12.00	NBR	SID-878
OR22607235-D5	72.35	2.26	HNBR	SID-1290
OR22707235-08	72.35	2.27	NBR	SID-1482
OR53307239-08	72.39	5.33	NBR	SID-430
OR53307239-64	72.39	5.33	FKM	SID-439
OR53307239-L3	72.39	5.33	AFLAS	SID-1293
OR55007239-L5	72.39	5.50	PU	POB-294
OR69907239-D6	72.39	6.99	HNBR	SID-1283
OR28007240-08	72.40	2.80	NBR	SID-1088
OR38007240-08	72.40	3.80	NBR	SID-1406
OR47007240-08	72.40	4.70	NBR	SID-1425
OR53307240-32	72.40	5.33	EPDM	SID-1447
OR25007250-08	72.50	2.50	NBR	SID-1802
OR50007250-08	72.50	5.00	NBR	SID-141
OR65007250-08	72.50	6.50	NBR	SID-637
OR65007250-64	72.50	6.50	FKM	SID-1598
OR65007250-06	72.50	6.50	NBR	SID-1676
OR85007250-06	72.50	8.50	NBR	SID-1207
OR35007254-08	72.54	3.50	NBR	SID-1038
OR26207260-D6	72.60	2.62	HNBR	SID-733

Bold sizes are readily available in stock.
Other material are available on request.

Part No.	d	c/s	Material	Mould No.
OR55007260-64	72.60	5.50	FKM	SID-879
OR35307262-08	72.62	3.53	NBR	SID-461
OR35307262-64	72.62	3.53	FKM	SID-681
OR35307262-08	72.62	3.53	NBR	SID-690
OR35307262-59	72.62	3.53	PU	POB-246
OR35307262-11	72.62	3.53	NBR	SID-917
OR35307262-64	72.62	3.53	FKM	SID-1632
OR36307262-T5	72.62	3.63	EPDM	SID-1608
OR37507262-64	72.62	3.75	FKM	SID-1027
OR24272680-64	72.68	2.42	NBR	SID-1701
OR26207269-08	72.69	2.62	NBR	SID-473
OR26207269-59	72.69	2.62	PU	POB-245
OR26207269-64	72.69	2.62	FKM	SID-724
OR26207269-66	72.69	2.62	FKM	SID-1740
OR20007270-08	72.70	2.00	NBR	SID-1600
OR17807275-08	72.75	1.78	NBR	SID-566
OR17807275-64	72.75	1.78	FKM	SID-725
OR17807275-38	72.75	1.78	VMQ	SID-1708
OR48007280-08	72.80	4.80	NBR	SID-1085
OR10007280-62	72.80	10.00	FKM	SID-1029
OR53307289-64	72.89	5.33	FKM	SID-1826
OR10007300-08	73.00	1.00	NBR	SIC-1582
OR15007300-08	73.00	1.50	NBR	SID-1223
OR20007300-D5	73.00	2.00	HNBR	SID-1246
OR20007300-08	73.00	2.00	NBR	SID-727
OR20007300-32	73.00	2.00	EPDM	SID-1795
OR25007300-08	73.00	2.50	NBR	SID-1187
OR27007300-08	73.00	2.70	NBR	SID-713
OR27007300-08	73.00	2.70	NBR	SID-1569
OR30007300-64	73.00	3.00	FKM	SID-1250
OR30007300-08	73.00	3.00	NBR	SID-300
OR30007300-64	73.00	3.00	FKM	SID-493
OR35007300-10	73.00	3.50	NBR	SID-298
OR35007300-08	73.00	3.50	NBR	SID-979
OR35007300-64	73.00	3.50	FKM	SID-915
OR35507300-08	73.00	3.55	NBR	SID-954
OR36007300-08	73.00	3.60	NBR	SID-236
OR40007300-08	73.00	4.00	NBR	SID-283
OR40007300-08	73.00	4.00	NBR	SID-739
OR45007300-08	73.00	4.50	NBR	SID-1535
OR45007300-64	73.00	4.50	FKM	SID-1602
OR50007300-08	73.00	5.00	NBR	SID-327
OR50007300-64	73.00	5.00	FKM	SID-509
OR50007300-008	73.00	5.00	NBR	SID-759
OR50007300-T5	73.00	5.00	EPDM	SID-1711
OR53307300-Z1	73.00	5.33	NBR	SID-1091
OR53307300-L3	73.00	5.33	AFLAS	SID-1317
OR55007300-08	73.00	5.50	NBR	SID-347
OR55007300-67	73.00	5.50	FKM	SID-1392
OR57007300-08	73.00	5.70	NBR	SID-1209
OR60007300-10	73.00	6.00	NBR	SID-866
OR65007300-04	73.00	6.50	NBR	SID-1322
OR70007300-08	73.00	7.00	NBR	SID-1224
OR70007300-32	73.00	7.00	EPDM	SID-1636
OR75007300-08	73.00	7.50	NBR	SID-1513
OR82007300-06	73.00	8.20	NBR	SID-1773
OR23807302-64	73.02	2.38	FKM	SID-1355
OR25007302-64	73.02	2.50	FKM	SID-985
OR31707302-08	73.02	3.17	NBR	SID-1410
OR40007302-64	73.02	4.00	FKM	SID-986
OR47607302-64	73.02	4.76	FKM	SID-1004
OR47607302-30	73.02	4.76	EPDM	SID-1149
OR12707302-34	73.02	12.70	EPDM	SID-682
OR32007310-08	73.10	3.20	NBR	SID-155
OR30207318-08	73.18	3.02	NBR	SID-1363
OR48007320-28	73.20	4.80	EPDM	SID-912
OR50007320-28	73.20	5.00	EPDM	SID-914
OR35007334-08	73.34	3.50	NBR	SID-1036
OR33007340-08	73.40	3.30	NBR	SID-261
OR53007340-64	73.40	5.30	FKM	SID-622
OR10007350-43	73.50	1.00	VMQ	SID-1257
OR26207350-64	73.50	2.62	FKM	SID-923
OR30007350-64	73.50	3.00	FKM	SID-1583

Part No.	d	c/s	Material	Mould No.
OR35007350-64	73.50	3.50	FKM	SID-1607
OR58007350-10	73.50	5.80	NBR	SID-1831
OR34007365-08	73.65	3.40	NBR	SID-770
OR30007370-08	73.70	3.00	NBR	SID-158
OR37507375-08	73.75	3.75	NBR	SID-1801
OR31007380-64	73.80	3.10	FKM	SID-837
OR35607394-64	73.94	3.56	FKM	SID-1163
OR10007400-08	74.00	1.00	NBR	SID-1505
OR15007400-08	74.00	1.50	NBR	SID-1017
OR15007400-BZ	74.00	1.50	VMQ	SID-1774
OR18007400-08	74.00	1.80	NBR	SID-679
OR20007400-64	74.00	2.00	FKM	SID-951
OR20007400-08	74.00	2.00	NBR	SID-582
OR25007400-08	74.00	2.50	NBR	SID-572
OR25007400-67	74.00	2.50	FKM	SID-1362
OR30007400-08	74.00	3.00	NBR	SID-193
OR30007400-64	74.00	3.00	FKM	SID-263
OR30007400-66	74.00	3.00	FKM	SID-997
OR30007400-08	74.00	3.00	NBR	SID-968
OR30007400-49	74.00	3.00	HNBR	SID-1638
OR30007400-32	74.00	3.00	EPDM	SID-1640
OR35007400-08	74.00	3.50	NBR	SID-190
OR35007400-64	74.00	3.50	FKM	SID-946
OR35007400-09	74.00	3.50	NBR	SID-1618
OR35007400-65	74.00	3.50	FKM	SID-1612
OR36007400-65	74.00	3.60	FKM	SID-1668
OR25012200-08	74.00	3.70	NBR	SID-309
OR40007400-64	74.00	4.00	FKM	SID-684
OR40007400-08	74.00	4.00	NBR	SID-516
OR42007400-64	74.00	4.20	FKM	SID-1118
OR45007400-08	74.00	4.50	CR	SID-513
OR50007400-08	74.00	5.00	NBR	SID-108
OR50007400-T2	74.00	5.00	VMQ	SID-1320
OR55007400-08	74.00	5.50	NBR	SID-177
OR60007400-L5	74.00	6.00	PU	POB-236
OR60007400-08	74.00	6.00	NBR	SID-102
OR60007400-64	74.00	6.00	FKM	SID-858
OR65007400-08	74.00	6.50	NBR	SID-1762
OR69907400-08	74.00	6.99	NBR	SID-1759
OR70007400-08	74.00	7.00	NBR	SID-814
OR78007400-06	74.00	7.80	NBR	SID-804
OR78007400-06	74.00	7.80	NBR	SID-762
OR80007400-43	74.00	8.00	VMQ	SID-1405
OR82007400-06	74.00	8.20	NBR	SID-1101
OR82007400-06	74.00	8.20	NBR	SID-1675
OR36007418-64	74.18	3.60	FKM	SID-1328
OR57007420-08	74.20	5.70	NBR	SID-326
OR57007420-59	74.20	5.70	PU	POB-257
OR57007420-32	74.20	5.70	EPDM	SID-1515
OR55407422-64	74.22	5.54	FKM	SID-964
OR26207430-64	74.30	2.62	FKM	SID-1192
OR26207430-08	74.30	2.62	NBR	SID-587
OR31007440-D5	74.40	3.10	HNBR	SID-984
OR31007440-11	74.40	3.10	NBR	SID-554
OR31007440-59	74.40	3.10	PU	POB-282
OR33007440-08	74.40	3.30	NBR	SID-969
OR38007440-64	74.40	3.80	FKM	SID-744
OR20007450-64	74.50	2.00	NBR	SID-1157
OR30007450-08	74.50	3.00	NBR	SID-496
OR30007450-R1	74.50	3.00	FVMQ	SID-1521
OR37007450-64	74.50	3.70	FKM	SID-1151
OR25507450-08	74.50	25.50	NBR	SIF-980
OR50007460-L5	74.60	5.00	PU	POB-221
OR57007460-08	74.60	5.70	NBR	SID-1210
OR59007460-08	74.60	5.90	NBR	SID-1722
OR35307461-30	74.61	3.53	EPDM	SID-1099
OR35307461-08	74.61	3.53	NBR	SID-1053
OR35307461-64	74.61	3.53	FKM	SID-1377
OR47707461-08	74.61	4.77	NBR	SID-1809
OR53407463-08	74.63	5.34	NBR	SID-1212
OR53407463-66	74.63	5.34	FKM	SID-934
OR15107469-D5	74.69	1.51	HNBR	SID-1308
OR27007470-66	74.70	2.70	FKM	SID-1706

Bold sizes are readily available in stock.
 Other material are available on request.

Part No.	d	c/s	Material	Mould No.
OR31707470-08	74.70	3.17	NBR	SID-526
OR40007480-08	74.80	4.00	NBR	SID-1108
OR45307485-08	74.85	4.53	NBR	SID-1450
OR10007500-08	75.00	1.00	NBR	SID-1196
OR15007500-08	75.00	1.50	NBR	SID-306
OR15007500-08	75.00	1.50	NBR	SID-1198
OR17507500-08	75.00	1.75	NBR	SID-1500
OR17807500-08	75.00	1.78	NBR	SID-534
OR18007500-08	75.00	1.80	NBR	SID-794
OR20007500-64	75.00	2.00	FKM	SID-933
OR20007500-08	75.00	2.00	NBR	SID-376
OR23007500-08	75.00	2.30	NBR	SID-204
OR25007500-64	75.00	2.50	FKM	SID-976
OR25007500-64	75.00	2.50	FKM	SID-932
OR25007500-08	75.00	2.50	NBR	SID-432
OR25075000-D5	75.00	2.50	HNBR	SID-1428
OR25007500-55	75.00	2.50	ACM	SID-1458
OR26507500-64	75.00	2.65	FKM	SID-1200
OR26507500-08	75.00	2.65	NBR	SID-1619
OR28007500-08	75.00	2.80	NBR	SID-1213
OR30007500-08	75.00	3.00	NBR	SID-315
OR30007500-64	75.00	3.00	FKM	SID-491
OR30007500-97	75.00	3.00	SBR	SID-1464
OR30007500-L5	75.00	3.00	PU	POB-303
OR30007500-34	75.00	3.00	EPDM	SID-1754
OR31007500-64	75.00	3.10	FKM	SID-1404
OR32007500-08	75.00	3.20	NBR	SID-630
OR32007500-64	75.00	3.20	FKM	SID-1291
OR33307500-D5	75.00	3.33	HNBR	SID-1716
OR35007500-08	75.00	3.50	NBR	SID-441
OR37007500-08	75.00	3.70	NBR	SID-1000
OR40007500-08	75.00	4.00	NBR	SID-276
OR40007500-64	75.00	4.00	FKM	SID-636
OR40007500-T5	75.00	4.00	EPDM	SID-1299
OR40007500-06	75.00	4.00	NBR	SID-1397
OR40007500-20	75.00	4.00	CR	SID-1571
OR42007500-08	75.00	4.20	NBR	SID-1469
OR43007500-08	75.00	4.30	NBR	SID-1086
OR45007500-64	75.00	4.50	FKM	SID-827
OR50007500-64	75.00	5.00	FKM	SID-105
OR50007500-08	75.00	5.00	NBR	SID-128
OR53007500-64	75.00	5.30	FKM	SID-639
OR53007500-08	75.00	5.30	NBR	SID-875
OR53307500-08	75.00	5.33	NBR	SID-1651
OR55007500-08	75.00	5.50	NBR	SID-397
OR57007500-64	75.00	5.70	FKM	SID-1371
OR57507500-08	75.00	5.75	NBR	SID-805
OR60007500-43	75.00	6.00	VMQ	SID-1117
OR60007500-08	75.00	6.00	NBR	SID-216
OR65007500-08	75.00	6.50	NBR	SID-390
OR70007500-64	75.00	7.00	FKM	SID-649
OR75007500-64	75.00	7.50	FKM	SID-1166
OR75007500-08	75.00	7.50	NBR	SID-1414
OR78007500-64	75.00	7.80	FKM	SID-1562
OR80007500-10	75.00	8.00	NBR	SID-267
OR80007500-35	75.00	8.00	EPDM	SID-899
OR90007500-08	75.00	9.00	NBR	SID-210
OR95007500-08	75.00	9.50	NBR	SID-1637
OR10007500-10	75.00	10.00	NBR	SID-408
OR12007500-08	75.00	12.00	NBR	SID-948
OR35007525-08	75.25	3.50	NBR	SID-1621
OR47507525-10	75.25	4.75	NBR	SID-960
OR32007530-08	75.30	3.20	NBR	SID-1269
OR55007530-08	75.30	5.50	NBR	SID-1702
OR60007530-10	75.30	6.00	NBR	SID-1147
OR35007540-L5	75.40	3.50	PU	POB-265
OR34007550-08	75.50	3.40	NBR	SID-274
OR45007550-64	75.50	4.50	FKM	SID-495
OR53307550-L3	75.50	5.33	AFLAS	SID-1294
OR55007550-08	75.50	5.50	NBR	SID-159
OR26007550-09	75.50	26.00	NBR	SIF-1195
OR22707552-08	75.52	2.27	NBR	SID-1112
OR22607553-08	75.53	2.26	NBR	SID-1488

Part No.	d	c/s	Material	Mould No.
OR95207556-D6	75.56	9.52	HNBR	SID-1647
OR53307557-08	75.57	5.33	NBR	SID-593
OR53307557-08	75.57	5.33	NBR	SID-704
OR53307557-64	75.57	5.33	FKM	SID-833
OR53307557-L3	75.57	5.33	AFLAS	SID-1312
OR53307557-32	75.57	5.33	EPDM	SID-761
OR24007560-08	75.60	2.40	NBR	SID-1741
OR15007570-08	75.70	1.50	NBR	SID-541
OR53007570-08	75.70	5.30	NBR	SID-356
OR95007570-06	75.70	9.50	NBR	SID-777
OR55007572-08	75.72	5.50	NBR	SID-1684
OR35307579-89	75.79	3.53	PU	POB-111
OR35307579-64	75.79	3.53	FKM	SID-716
OR35307579-N8	75.79	3.53	NBR	SID-605
OR35307579-06	75.79	3.53	NBR	SID-1687
OR35307579-64	75.79	3.53	FKM	SID-1633
OR16007580-08	75.80	1.60	NBR	SID-657
OR26207580-64	75.80	2.62	FKM	SID-623
OR35007550-32	75.80	3.50	EPDM	SID-1214
OR35307580-08	75.80	3.53	NBR	SID-594
OR35307580-32	75.80	3.53	EPDM	SID-1624
OR70007580-06	75.80	7.00	NBR	SID-1179
OR26207587-32	75.87	2.62	EPDM	SID-953
OR26207587-08	75.87	2.62	NBR	SID-399
OR26207587-64	75.87	2.62	FKM	SID-664
OR26207587-23	75.87	2.62	CR	SID-1781
OR17807592-64	75.92	1.78	FKM	SID-429
OR17807592-08	75.92	1.78	NBR	SID-425
OR17807592-08	75.92	1.78	NBR	SID-1084
OR10007600-08	76.00	1.00	NBR	SID-1197
OR12007600-32	76.00	1.20	EPDM	SID-1276
OR17007600-08	76.00	1.70	NBR	SID-1153
OR17007600-64	76.00	1.70	FKM	SID-1658
OR20007600-08	76.00	2.00	NBR	SID-348
OR20007600-64	76.00	2.00	FKM	SID-891
OR25007600-64	76.00	2.50	FKM	SID-983
OR25007600-20	76.00	2.50	CR	SID-697
OR25007600-08	76.00	2.50	NBR	SID-1164
OR30007600-08	76.00	3.00	NBR	SID-110
OR30007600-08	76.00	3.00	NBR	SID-904
OR30007600-64	76.00	3.00	FKM	SID-722
OR31007600-65	76.00	3.10	FKM	SID-1816
OR35007600-59	76.00	3.50	PU	POB-209
OR35007600-08	76.00	3.50	NBR	SID-207
OR35007600-64	76.00	3.50	FKM	SID-1748
OR40007600-08	76.00	4.00	NBR	SID-234
OR40007600-10	76.00	4.00	NBR	SID-970
OR40007600-08	76.00	4.00	NBR	SID-783
OR40007600-67	76.00	4.00	FKM	SID-1502
OR40007600-64	76.00	4.00	FKM	SID-1693
OR45007600-10	76.00	4.50	NBR	SID-660
OR45007600-64	76.00	4.50	FKM	SID-1441
OR50007600-08	76.00	5.00	NBR	SID-560
OR55007600-64	76.00	5.50	FKM	SID-1434
OR56007600-64	76.00	5.60	FKM	SID-1047
OR57007600-08	76.00	5.70	NBR	SID-444
OR60007600-04	76.00	6.00	NBR	SID-451
OR60007600-64	76.00	6.00	FKM	SID-1265
OR65007600-32	76.00	6.50	EPDM	SID-1670
OR69907600-04	76.00	6.99	NBR	SID-609
OR70007600-64	76.00	7.00	FKM	SID-1356
OR85007600-08	76.00	8.50	NBR	SID-1739
OR90007600-D6	76.00	9.00	HNBR	SID-107
OR90007600-06	76.00	9.00	NBR	SID-788
OR10007600-08	76.00	10.00	NBR	SID-1749
OR12007600-64	76.00	12.00	FKM	SID-1079
OR25007620-64	76.20	2.50	FKM	SID-385
OR31707620-08	76.20	3.17	NBR	SID-477
OR32007620-08	76.20	3.20	NBR	SID-273
OR40007620-64	76.20	4.00	FKM	SID-987
OR47607620-08	76.20	4.76	NBR	SID-1064
OR50007620-64	76.20	5.00	FKM	SID-988
OR95007620-64	76.20	9.50	FKM	SID-1766

Bold sizes are readily available in stock.
Other material are available on request.

Part No.	d	c/s	Material	Mould No.
OR12707620-08	76.20	12.70	NBR	SIE-1038
OR15807631-64	76.31	1.58	FKM	SID-928
OR22607632-D5	76.32	2.26	HNBR	SID-1329
OR30207636-08	76.36	3.02	NBR	SID-1485
OR17007639-64	76.39	1.70	FKM	SID-1628
OR31007640-08	76.40	3.10	NBR	SID-1652
OR15007650-08	76.50	1.50	NBR	SID-1534
OR17507600-08	76.50	1.75	NBR	SID-446
OR27007650-08	76.50	2.70	NBR	SID-850
OR27607650-08	76.50	2.76	NBR	SID-1045
OR55007650-08	76.50	5.50	NBR	SID-1396
OR57007650-08	76.50	5.70	NBR	SID-1408
OR60007650-08	76.50	6.00	NBR	SID-1009
OR67007650-08	76.50	6.70	NBR	SID-442
OR35007656-08	76.56	3.50	NBR	SID-1589
OR27007660-64	76.60	2.70	FKM	SID-797
OR24007676-08	76.76	2.40	NBR	SID-1540
OR25007680-08	76.80	2.50	NBR	SID-857
OR60007680-08	76.80	6.00	NBR	SID-436
OR17807694-T9	76.94	1.78	FKM	SID-1630
OR10007700-08	77.00	1.00	NBR	SID-1523
OR15007700-08	77.00	1.50	NBR	SID-533
OR16507700-64	77.00	1.65	FKM	SID-1585
OR18007700-T9	77.00	1.80	FKM	SID-1629
OR20007700-08	77.00	2.00	NBR	SID-1105
OR20007700-64	77.00	2.00	FKM	SID-1379
OR26207700-10	77.00	2.62	NBR	SID-924
OR30007700-08	77.00	3.00	NBR	SID-486
OR30007700-64	77.00	3.00	FKM	SID-1288
OR35007700-08	77.00	3.50	NBR	SID-760
OR35007700-08	77.00	3.50	NBR	SID-271
OR35007700-67	77.00	3.50	FKM	SID-1361
OR36007700-08	77.00	3.60	NBR	SID-740
OR40007700-08	77.00	4.00	NBR	SID-453
OR40007700-64	77.00	4.00	FKM	SID-1424
OR45007700-08	77.00	4.50	NBR	SID-1743
OR50007700-08	77.00	5.00	NBR	SID-1219
OR53307700-08	77.00	5.33	NBR	SID-1340
OR55007700-32	77.00	5.50	EPDM	SID-1553
OR60007700-08	77.00	6.00	NBR	SID-229
OR70007700-08	77.00	7.00	NBR	SID-784
OR10007700-08	77.00	10.00	NBR	SID-1304
OR37707719-08	77.19	3.77	NBR	SID-1334
OR16507720-64	77.20	1.65	FKM	SID-1584
OR57007720-67	77.20	5.70	FKM	SID-1429
OR25007730-D5	77.30	2.50	HNBR	SID-1430
OR26207744-67	77.44	2.62	FKM	SID-1601
OR15007750-06	77.50	1.50	NBR	SID-1411
OR18007750-08	77.50	1.80	NBR	SID-1791
OR25007750-08	77.50	2.50	NBR	SID-1800
OR26207750-08	77.50	2.62	NBR	SID-586
OR26207750-D5	77.50	2.62	HNBR	SID-694
OR30007750-32	77.50	3.00	EPDM	SID-1758
OR35007750-11	77.50	3.50	NBR	SID-898
OR35507750-64	77.50	3.55	FKM	SID-1026
OR45007750-08	77.50	4.50	NBR	SID-195
OR55007750-08	77.50	5.50	NBR	SID-170
OR55007750-64	77.50	5.50	FKM	SID-1321
OR94007750-08	77.50	9.40	NBR	SID-1178
OR95007750-06	77.50	9.50	NBR	SID-1272
OR35007756-08	77.56	3.50	NBR	SID-938
OR57007760-08	77.60	5.70	NBR	SID-945
OR65007760-U2	77.60	6.50	FKM	SID-1095
OR53307761-64	77.61	5.33	FKM	SID-1459
OR17807775-64	77.75	1.78	FKM	SID-950
OR23807778-08	77.78	2.39	NBR	SID-1517
OR45007780-S8	77.80	4.50	NBR	SID-1645
OR30007790-10	77.90	3.00	NBR	SID-683
OR30007790-45	77.90	3.00	VMQ	SID-678
OR30007790-66	77.90	3.00	FKM	SID-861
OR10007800-08	78.00	1.00	NBR	SID-1752
OR12007800-08	78.00	1.20	NBR	SID-1152
OR15007800-08	78.00	1.50	NBR	SID-561

Part No.	d	c/s	Material	Mould No.
OR15007800-64	78.00	1.50	FKM	SID-1256
OR15007800-S8	78.00	1.50	NBR	SID-811
OR17807800-64	78.00	1.78	FKM	SID-1635
OR20007800-08	78.00	2.00	NBR	SID-456
OR20007800-64	78.00	2.00	FKM	SID-1123
OR25007800-08	78.00	2.50	NBR	SID-384
OR25007800-08	78.00	2.50	NBR	SID-747
OR26207800-D5	78.00	2.62	HNBR	SID-1040
OR28007800-08	78.00	2.80	NBR	SID-1039
OR30007800-08	78.00	3.00	NBR	SID-221
OR30007800-08	78.00	3.00	NBR	SID-720
OR30007800-64	78.00	3.00	FKM	SID-1285
OR35007800-08	78.00	3.50	NBR	SID-148
OR38007800-10	78.00	3.80	NBR	SID-1052
OR40007800-64	78.00	4.00	FKM	SID-1012
OR40007800-45	78.00	4.00	VMQ	SID-963
OR40007800-08	78.00	4.00	NBR	SID-365
OR40007800-08	78.00	4.00	NBR	SID-741
OR47007800-08	78.00	4.70	NBR	SID-1145
OR50007800-08	78.00	5.00	NBR	SID-218
OR50007800-08	78.00	5.00	NBR	SID-631
OR53007800-08	78.00	5.30	NBR	SID-876
OR55007800-08	78.00	5.50	NBR	SID-157
OR55007800-67	78.00	5.50	FKM	SID-1394
OR60007800-08	78.00	6.00	NBR	SID-962
OR60007800-L5	78.00	6.00	PU	POB-254
OR60007800-64	78.00	6.00	FKM	SID-1725
OR65007800-08	78.00	6.50	NBR	SID-1262
OR66007800-L5	78.00	6.60	PU	POB-308
OR69907800-08	78.00	6.99	NBR	SID-1401
OR70007800-08	78.00	7.00	NBR	SID-1098
OR70007800-43	78.00	7.00	VMQ	SID-1557
OR80007800-41	78.00	8.00	VMQ	SID-1546
OR90007800-20	78.00	9.00	CR	SID-1114
OR10007800-08	78.00	10.00	NBR	SID-718
OR10007800-32	78.00	10.00	EPDM	SID-1558
OR57007810-08	78.10	5.70	NBR	SID-490
OR35307815-64	78.15	3.53	FKM	SID-1254
OR30007820-64	78.20	3.00	FKM	SID-1286
OR18007840-66	78.40	1.80	FKM	SID-662
OR26207850-64	78.50	2.62	FKM	SID-870
OR30007850-08	78.50	3.00	NBR	SID-188
OR30007850-64	78.50	3.00	FKM	SID-825
OR33007850-10	78.50	3.30	NBR	SID-1751
OR35007860-64	78.60	3.50	FKM	SID-695
OR33007865-08	78.65	3.30	FKM	SID-910
OR22707871-08	78.71	2.27	NBR	SID-1487
OR26207874-D5	78.74	2.62	HNBR	SID-1755
OR50007874-11	78.74	5.00	NBR	SID-1186
OR53307874-64	78.74	5.33	FKM	SID-686
OR53307874-08	78.74	5.33	NBR	SID-498
OR53307874-D5	78.74	5.33	HNBR	SID-1574
OR37507875-08	78.75	3.75	NBR	SID-1806
OR36007890-10	78.90	3.60	NBR	SID-1326
OR35607894-08	78.94	3.56	NBR	SID-1078
OR35307897-08	78.97	3.53	NBR	SID-104
OR35307897-67	78.97	3.53	FKM	SID-943
OR35307897-64	78.97	3.53	FKM	SID-708
OR35307897-S4	78.97	3.53	HNBR	SID-1284
OR35307897-T5	78.97	3.53	EPDM	SID-1300
OR35307897-S4	78.97	3.53	HNBR	SID-1399
OR10007900-08	79.00	1.00	NBR	SID-1524
OR13007900-08	79.00	1.30	NBR	SID-1208
OR15007900-08	79.00	1.50	NBR	SID-1369
OR17807900-08	79.00	1.78	NBR	SID-585
OR17807900-67	79.00	1.78	FKM	SID-846
OR17807900-R1	79.00	1.78	FVMQ	SID-1778
OR20007900-08	79.00	2.00	NBR	SID-795
OR20007900-D5	79.00	2.00	HNBR	SID-1368
OR25007900-08	79.00	2.50	NBR	SID-619
OR25007900-D5	79.00	2.50	HNBR	SID-652
OR25007900-66	79.00	2.50	FKM	SID-831
OR30007900-08	79.00	3.00	NBR	SID-1154

Bold sizes are readily available in stock.
 Other material are available on request.

Part No.	d	c/s	Material	Mould No.
OR35007900-08	79.00	3.50	NBR	SID-466
OR35007900-08	79.00	3.50	NBR	SID-1227
OR35007900-D5	79.00	3.50	HNBR	SID-655
OR40007900-64	79.00	4.00	FKM	SID-994
OR40007900-08	79.00	4.00	NBR	SID-175
OR45007900-08	79.00	4.50	NBR	SID-380
OR50007900-08	79.00	5.00	NBR	SID-255
OR50007900-64	79.00	5.00	FKM	SID-1046
OR55007900-08	79.00	5.50	NBR	SID-462
OR55007900-40	79.00	5.50	VMQ	SID-1289
OR57007900-08	79.00	5.70	NBR	SID-268
OR57007900-T9	79.00	5.70	FKM	SID-812
OR60007900-08	79.00	6.00	NBR	SID-213
OR65007900-08	79.00	6.50	NBR	SID-342
OR69907900-08	79.00	6.99	NBR	SID-1760
OR70007900-08	79.00	7.00	NBR	SID-307
OR70007900-66	79.00	7.00	FKM	SID-1348
OR80007900-08	79.00	8.00	NBR	SID-1258
OR17807904-11	79.04	1.78	NBR	SID-1750
OR14707915-64	79.15	1.47	FKM	SID-1587
OR30007920-64	79.20	3.00	FKM	SID-1287
OR57007920-08	79.20	5.70	NBR	SID-772
OR57007920-32	79.20	5.70	EPDM	SID-1199
OR14707926-64	79.26	1.47	FKM	SID-1586
OR32007930-08	79.30	3.20	NBR	SID-150
OR15307936-64	79.36	1.53	FKM	SID-1659
OR13707937-08	79.37	1.37	NBR	SID-1056
OR40007937-64	79.37	4.00	FKM	SID-989
OR47607937-11	79.37	4.76	NBR	SID-1066
OR31007940-08	79.40	3.10	NBR	SID-1003
OR31007940-68	79.40	3.10	FKM	SID-564
OR31007940-43	79.40	3.10	VMQ	SID-1476
OR31007940-32	79.40	3.10	EPDM	SID-1794
OR32007940-32	79.40	3.20	EPDM	SID-1327
OR67507940-08	79.40	6.75	NBR	SID-249
OR69907940-08	79.40	6.99	NBR	SID-1761
OR11007940-08	79.40	11.00	NBR	SIE-434
OR26007950-08	79.50	2.60	NBR	SID-735
OR27507950-64	79.50	2.75	FKM	SID-1461
OR30007950-08	79.50	3.00	FKM	SID-481
OR30007950-V2	79.50	3.00	NBR	SID-482
OR30007950-08	79.50	3.00	NBR	SID-868
OR30007950-R1	79.50	3.00	FVMQ	SID-1821
OR35007950-08	79.50	3.50	NBR	SID-1472
OR60007950-08	79.50	6.00	NBR	SID-163
OR30207953-08	79.53	3.02	NBR	SID-1486
OR57007960-67	79.60	5.70	FKM	SID-1344
OR26207970-43	79.70	2.62	VMQ	SID-1767
OR53307973-08	79.73	5.33	NBR	SID-130
OR53307973-08	79.73	5.33	NBR	SID-773
OR35807976-67	79.76	3.58	FKM	SID-1141
OR53307977-64	79.77	5.33	FKM	SID-1033
OR35007980-08	79.80	3.50	NBR	SID-1037
OR35307995-64	79.95	3.53	FKM	SID-1671
OR12008000-32	80.00	1.20	EPDM	SID-1736
OR15008000-64	80.00	1.50	FKM	SID-893
OR15008000-08	80.00	1.50	NBR	SID-901
OR15008000-43	80.00	1.50	VMQ	SID-1648
OR16008000-64	80.00	1.60	FKM	SID-1591
OR17808000-BN	80.00	1.78	FKM	SID-1529
OR18508000-08	80.00	1.85	NBR	SID-1830
OR20008000-08	80.00	2.00	NBR	SID-330
OR20008000-08	80.00	2.00	NBR	SID-703
OR20008000-64	80.00	2.00	FKM	SID-778
OR22508000-08	80.00	2.25	NBR	SID-1528
OR25008000-08	80.00	2.50	NBR	SID-180
OR25008000-64	80.00	2.50	FKM	SID-771
OR25008000-D5	80.00	2.50	HNBR	SID-653
OR25008000-64	80.00	2.50	FKM	SID-1337
OR25008000-T5	80.00	2.50	EPDM	SID-1712
OR26508000-08	80.00	2.65	NBR	SID-765
OR30008000-L5	80.00	3.00	PU	POB-145
OR30008000-08	80.00	3.00	NBR	SID-156

Part No.	d	c/s	Material	Mould No.
OR30008000-08	80.00	3.00	NBR	SID-286
OR30008000-32	80.00	3.00	EPDM	SID-711
OR30008000-64	80.00	3.00	FKM	SID-892
OR30008000-20	80.00	3.00	CR	SID-1689
OR32008000-43	80.00	3.20	VMQ	SID-966
OR33008000-20	80.00	3.30	CR	SID-999
OR35008000-08	80.00	3.50	NBR	SID-278
OR35008000-64	80.00	3.50	FKM	SID-798
OR36008000-08	80.00	3.60	NBR	SID-545
OR37008000-08	80.00	3.70	NBR	SID-1015
OR38508000-08	80.00	3.85	NBR	SID-1785
OR40008000-08	80.00	4.00	NBR	SID-211
OR40008000-64	80.00	4.00	FKM	SID-931
OR42508000-11	80.00	4.25	NBR	SID-1032
OR43008000-41	80.00	4.30	VMQ	SID-1347
OR43008000-41	80.00	4.30	VMQ	SID-1339
OR45008000-08	80.00	4.50	NBR	SID-122
OR45008000-64	80.00	4.50	FKM	SID-1415
OR50008000-L5	80.00	5.00	PU	POB-103
OR50008000-08	80.00	5.00	NBR	SID-118
OR50008000-08	80.00	5.00	NBR	SID-507
OR50008000-64	80.00	5.00	FKM	SID-501
OR50008000-08	80.00	5.00	NBR	SID-645
OR50008000-32	80.00	5.00	EPDM	SID-1777
OR52508000-64	80.00	5.25	FKM	SID-551
OR52508000-08	80.00	5.25	NBR	SID-1452
OR53308000-N8	80.00	5.33	NBR	SID-680
OR55008000-08	80.00	5.50	NBR	SID-173
OR55008000-64	80.00	5.50	FKM	SID-815
OR56008000-66	80.00	5.60	FKM	SID-1807
OR57008000-08	80.00	5.70	NBR	SID-396
OR57008000-D5	80.00	5.70	HNBR	SID-1719
OR60008000-64	80.00	6.00	FKM	SID-1031
OR60008000-08	80.00	6.00	NBR	SID-629
OR60008000-59	80.00	6.00	PU	POB-273
OR62508000-08	80.00	6.25	NBR	SID-1261
OR65008000-08	80.00	6.50	NBR	SID-1260
OR70008000-08	80.00	7.00	NBR	SID-1235
OR75008000-20	80.00	7.50	CR	SID-862
OR80008000-D5	80.00	8.00	HNBR	SID-1203
OR80008000-08	80.00	8.00	NBR	SID-644
OR95008000-08	80.00	9.50	NBR	SID-338
OR37708037-D5	80.37	3.77	XNBR	SID-1059
OR37708037-D5	80.37	3.77	HNBR	SID-1343
OR37708037-08	80.37	3.77	NBR	SID-1496
OR35008046-08	80.46	3.50	NBR	SID-939
OR15008050-08	80.50	1.50	NBR	SID-424
OR22008050-66	80.50	2.90	FKM	SID-888
OR30008050-64	80.50	3.00	FKM	SID-1788
OR85008050-08	80.50	8.50	NBR	SID-820
OR24008060-08	80.60	2.40	NBR	SID-1421
OR26208060-08	80.60	2.62	NBR	SID-538
OR26208060-64	80.60	2.62	FKM	SID-1274
OR26208060-08	80.60	2.62	NBR	SID-1359
OR31008060-08	80.60	3.10	NBR	SID-1238
OR67008070-64	80.70	6.70	FKM	SID-1305
OR22008000-T2	81.00	2.20	VMQ	SIA-3075
OR10008100-08	81.00	1.00	NBR	SID-1222
OR15008100-08	81.00	1.50	NBR	SID-973
OR16008100-64	81.00	1.60	FKM	SID-1662
OR16008100-08	81.00	1.60	NBR	SID-1737
OR17808100-32	81.00	1.78	EPDM	SID-1564
OR20008100-T7	81.00	2.00	FKM	SID-1190
OR20008100-08	81.00	2.00	NBR	SID-322
OR20008100-R1	81.00	2.00	FVMQ	SID-1581
OR20008100-32	81.00	2.00	EPDM	SID-1790
OR20508100-08	81.00	2.05	NBR	SID-595
OR20508100-08	81.00	2.05	NBR	SID-886
OR25008100-64	81.00	2.50	FKM	SID-1338
OR25008100-08	81.00	2.50	NBR	SID-791
OR29008100-08	81.00	2.90	NBR	SID-775
OR30008100-08	81.00	3.00	NBR	SID-801
OR30008100-08	81.00	3.00	NBR	SID-802

Bold sizes are readily available in stock.
Other material are available on request.

Part No.	d	c/s	Material	Mould No.
OR32008100-08	81.00	3.20	NBR	SID-1104
OR35008100-08	81.00	3.50	NBR	SID-1021
OR35008100-08	81.00	3.50	NBR	SID-995
OR37508100-08	81.00	3.75	NBR	SID-405
OR40008100-08	81.00	4.00	NBR	SID-279
OR43008100-66	81.00	4.30	FKM	SID-908
OR45008100-08	81.00	4.50	NBR	SID-295
OR50008100-08	81.00	5.00	NBR	SID-440
OR50008100-43	81.00	5.00	VMQ	SID-1335
OR52008100-08	81.00	5.20	NBR	SID-140
OR55008100-64	81.00	5.50	FKM	SID-1316
OR55008100-08	81.00	5.50	NBR	SID-1433
OR65008100-06	81.00	6.50	NBR	SID-780
OR70008100-08	81.00	7.00	NBR	SID-1191
OR80008100-41	81.00	8.00	VMQ	SID-1547
OR30008120-64	81.20	3.00	FKM	SID-826
OR35308120-66	81.20	3.53	FKM	SID-781
OR45308120-64	81.20	4.53	FKM	SID-1126
OR45308120-08	81.20	4.53	NBR	SID-1497
OR19058120-10	81.20	19.05	NBR	SIE-1157
OR34008134-08	81.34	3.40	NBR	SID-692
OR27708135-19	81.35	2.77	CR	SID-1146
OR60008135-08	81.35	6.00	NBR	SID-776
OR18008140-08	81.40	1.80	NBR	SID-241
OR20008140-08	81.40	2.00	NBR	SID-845
OR53308140-08	81.40	5.33	FKM	SID-1048
OR58308140-08	81.40	5.83	FKM	SID-1518
OR22908150-10	81.50	2.29	NBR	SID-1731
OR25008150-64	81.50	2.50	FKM	SID-1057
OR27508150-08	81.50	2.75	NBR	SID-1106
OR50008150-59	81.50	5.00	PU	POB-238
OR52008150-64	81.50	5.20	FVMQ	SID-750
OR55008150-67	81.50	5.50	FKM	SID-1393
OR18008150-59	81.50	18.00	PU	POC-152
OR36008180-08	81.80	3.60	NBR	SID-237
OR50008180-66	81.80	5.00	FKM	SID-1001
OR22608188-08	81.88	2.26	NBR	SID-1494
OR55008190-64	81.90	5.50	FKM	SID-1160
OR17385380-08	81.92	1.73	NBR	SID-1578
OR53308192-08	81.92	5.33	NBR	SID-419
OR53308192-64	81.92	5.33	FKM	SID-553
OR73008195-06	81.95	7.30	NBR	SID-1239
OR75008195-06	81.95	7.50	NBR	SID-1275
OR15008200-06	82.00	1.50	NBR	SID-1386
OR15008200-64	82.00	1.50	FKM	SID-1549
OR16008200-08	82.00	1.60	NBR	SID-1499
OR17808200-08	82.00	1.78	NBR	SID-958
OR17808200-08	82.00	1.78	NBR	SID-896
OR18008200-08	82.00	1.80	NBR	SID-1812
OR20008200-08	82.00	2.00	NBR	SID-375
OR20008200-J3	82.00	2.00	Butyl Rubber	SID-1366
OR20008200-64	82.00	2.00	FKM	SID-1511
OR22008200-04	82.00	2.20	NBR	SID-1704
OR25008200-64	82.00	2.50	FKM	SID-1248
OR25008200-08	82.00	2.50	NBR	SID-410
OR26008200-11	82.00	2.60	NBR	SID-1669
OR30008200-08	82.00	3.00	NBR	SID-447
OR30008200-43	82.00	3.00	VMQ	SID-1281
OR30008200-65	82.00	3.00	FKM	SID-1610
OR30008200-09	82.00	3.00	NBR	SID-1617
OR31008200-65	82.00	3.10	FKM	SID-1667
OR32208200-67	82.00	3.22	FKM	SID-1324
OR35008200-D6	82.00	3.50	HNBR	SID-729
OR35008200-66	82.00	3.50	FKM	SID-1360
OR35008200-L5	82.00	3.50	PU	POB-266
OR37008200-32	82.00	3.70	EPDM	SID-1786
OR40008200-08	82.00	4.00	NBR	SID-426
OR40008200-64	82.00	4.00	FKM	SID-1416
OR42008200-08	82.00	4.20	NBR	SID-1449
OR46008200-08	82.00	4.60	NBR	SID-617
OR50008200-64	82.00	5.00	FKM	SID-1201
OR50008200-08	82.00	5.00	NBR	SID-367
OR50008200-64	82.00	5.00	FKM	SID-1268

Part No.	d	c/s	Material	Mould No.
OR50008200-L5	82.00	5.00	PU	POB-268
OR52008200-65	82.00	5.20	FKM	SID-1462
OR52008200-65	82.00	5.20	FKM	SID-1609
OR52008200-09	82.00	5.20	NBR	SID-1538
OR52008200-09	82.00	5.20	NBR	SID-1615
OR53008200-65	82.00	5.30	FKM	SID-1655
OR53308200-65	82.00	5.33	HNBR	SID-730
OR54008200-08	82.00	5.40	NBR	SID-305
OR55008200-08	82.00	5.50	NBR	SID-282
OR60008200-64	82.00	6.00	FKM	SID-1357
OR61008200-08	82.00	6.10	NBR	SID-411
OR65008200-64	82.00	6.50	FKM	SID-927
OR70008200-08	82.00	7.00	NBR	SID-1221
OR80008200-06	82.00	8.00	NBR	SID-1181
OR90008200-08	82.00	9.00	NBR	SID-465
OR12008200-08	82.00	12.00	NBR	SIE-190
OR12008200-64	82.00	12.00	FKM	SIE-1479
OR35308210-20	82.10	3.53	CR	SID-1663
OR34208214-64	82.14	3.42	FKM	SID-1162
OR35308214-64	82.14	3.53	FKM	SID-1155
OR35308214-08	82.14	3.53	NBR	SID-455
OR35308214-43	82.14	3.53	VMQ	SID-830
OR35308214-T5	82.14	3.53	EPDM	SID-1301
OR35308214-64	82.14	3.53	FKM	SID-1631
OR35008220-R1	82.20	3.50	FVMQ	SID-1692
OR26208221-L5	82.21	2.62	PU	POB-270
OR26208222-08	82.22	2.62	NBR	SID-474
OR26208222-64	82.22	2.62	FKM	SID-661
OR26208222-64	82.22	2.62	FKM	SID-665
OR26208222-16	82.22	2.62	CR	SID-1815
OR17808227-64	82.27	1.78	FKM	SID-689
OR17808227-08	82.27	1.78	NBR	SID-521
OR17808228-T5	82.28	1.78	EPDM	SID-1454
OR53008230-08	82.30	5.30	NBR	SID-475
OR15008250-08	82.50	1.50	NBR	SID-929
OR25008250-08	82.50	2.50	NBR	SID-897
OR25008250-08	82.50	2.50	NBR	SID-816
OR32008250-08	82.50	3.20	NBR	SID-161
OR32008250-08	82.50	3.20	NBR	SID-199
OR35508250-64	82.50	3.55	FKM	SID-1034
OR47508250-08	82.50	4.75	NBR	SID-206
OR53308250-32	82.50	5.33	EPDM	SID-1311
OR55008250-67	82.50	5.50	FKM	SID-1382
OR57008250-08	82.50	5.70	NBR	SID-414
OR14008255-08	82.55	1.40	NBR	SID-1422
OR15908255-06	82.55	1.59	NBR	SID-1370
OR23808255-64	82.55	2.38	FKM	SID-624
OR40008255-64	82.55	4.00	FKM	SID-990
OR47608255-64	82.55	4.76	FKM	SID-1005
OR50008255-64	82.55	5.00	FKM	SID-991
OR63508255-08	82.55	6.35	NBR	SID-1808
OR20008260-08	82.60	2.00	NBR	SID-1137
OR35008260-66	82.60	3.50	FKM	SID-1720
OR12708260-08	82.60	12.70	NBR	SIE-128
OR30282700-C1	82.70	3.02	XNBR	SID-1672
OR30208271-08	82.71	3.02	NBR	SID-1480
OR80008280-64	82.80	8.00	FKM	SID-1634
OR95208280-03	82.80	9.52	NBR	SIE-1327
OR60308287-08	82.87	6.03	NBR	SID-1489
OR20008300-08	83.00	2.00	NBR	SID-525
OR20008300-08	83.00	2.00	NBR	SID-742
OR25008300-64	83.00	2.50	FKM	SID-790
OR25008300-08	83.00	2.50	NBR	SID-880
OR26208300-67	83.00	2.62	FKM	SID-1432
OR30008300-08	83.00	3.00	NBR	SID-590
OR30008300-64	83.00	3.00	FKM	SID-1375
OR32008300-L5	83.00	3.20	PU	POB-269
OR35008300-08	83.00	3.50	NBR	SID-344
OR35008300-08	83.00	3.50	NBR	SID-754
OR38008300-64	83.00	3.80	FKM	SID-1525
OR40008300-64	83.00	4.00	FKM	SID-1550
OR45008300-08	83.00	4.50	NBR	SID-1182
OR50008300-08	83.00	5.00	NBR	SID-214

Bold sizes are readily available in stock.
 Other material are available on request.

Part No.	d	c/s	Material	Mould No.
OR53308300-64	83.00	5.33	FKM	SID-1703
OR55008300-11	83.00	5.50	NBR	SID-520
OR55008300-43	83.00	5.50	VMQ	SID-1512
OR60008300-08	83.00	6.00	NBR	SID-1183
OR60008300-43	83.00	6.00	VMQ	SID-1259
OR60008300-08	83.00	6.00	NBR	SID-198
OR70008300-19	83.00	7.00	CR	SID-1367
OR75008300-08	83.00	7.50	NBR	SID-1280
OR80008300-06	83.00	8.00	NBR	SID-1771
OR37008311-08	83.11	3.70	NBR	SID-693
OR27008320-10	83.20	2.70	NBR	SID-1551
OR30008320-64	83.20	3.00	FKM	SID-1067
OR25008350-64	83.50	2.50	FKM	SID-1111
OR42008350-08	83.50	4.20	NBR	SID-1789
OR42508350-67	83.50	4.25	FKM	SID-539
OR53308350-43	83.50	5.33	VMQ	SID-1061
OR56008350-66	83.50	5.60	FKM	SID-1165
OR53308356-08	83.56	5.33	NBR	SID-1814
OR19008370-08	83.70	1.90	NBR	SID-1071
OR35308374-67	83.74	3.53	FKM	SID-764
OR37508375-08	83.75	3.75	NBR	SID-1810
OR26208380-08	83.80	2.62	NBR	SID-588
OR26208380-64	83.80	2.62	FKM	SID-758
OR26208380-59	83.80	2.62	PU	POB-277
OR31008380-64	83.80	3.10	FKM	SID-838
OR57008380-40	83.80	5.70	VMQ	SID-1705
OR58008380-T9	83.80	5.80	FKM	SID-1306
OR35008382-08	83.82	3.50	NBR	SID-1614
OR10008400-08	84.00	1.00	NBR	SID-1220
OR15008400-64	84.00	1.50	FKM	SID-620
OR15008400-08	84.00	1.50	NBR	SID-1270
OR20008400-64	84.00	2.00	FKM	SID-1297
OR20008400-08	84.00	2.00	NBR	SID-1373
OR24008400-08	84.00	2.40	NBR	SID-638
OR25008400-08	84.00	2.50	NBR	SID-1175
OR30008400-08	84.00	3.00	NBR	SID-437
OR30008400-08	84.00	3.00	NBR	SID-648
OR30008400-64	84.00	3.00	FKM	SID-842
OR30008400-61	84.00	3.00	FKM	SID-883
OR32008400-64	84.00	3.20	FKM	SID-1738
OR32508400-08	84.00	3.25	NBR	SID-1419
OR33008400-08	84.00	3.30	NBR	SID-1389
OR34008400-43	84.00	3.40	VMQ	SID-1168
OR35008400-08	84.00	3.50	NBR	SID-222
OR35008400-64	84.00	3.50	FKM	SID-1072
OR35308400-39	84.00	3.53	VMQ	SID-1240
OR40008400-08	84.00	4.00	NBR	SID-250
OR40008400-D5	84.00	4.00	HNBR	SID-1717
OR45008400-08	84.00	4.50	NBR	SID-1230
OR50008400-08	84.00	5.00	NBR	SID-162
OR50008400-67	84.00	5.00	FKM	SID-1267
OR55008400-08	84.00	5.50	NBR	SID-284
OR60008400-L5	84.00	6.00	PU	POB-235
OR60008400-64	84.00	6.00	FKM	SID-291
OR70008400-08	84.00	7.00	NBR	SID-1228
OR75008400-64	84.00	7.50	FKM	SID-942
OR75008400-T5	84.00	7.50	EPDM	SID-1548
OR12008400-08	84.00	12.00	NBR	SIE-1450
OR53308410-08	84.10	5.33	NBR	SID-626
OR79208418-08	84.18	7.92	NBR	SIE-1481
OR27008420-08	84.20	2.70	NBR	SID-1613
OR57008420-64	84.20	5.70	FKM	SID-1686
OR25008430-D5	84.30	2.50	HNBR	SID-685
OR57008430-32	84.30	5.70	EPDM	SID-1303
OR57008430-08	84.30	5.70	NBR	SID-1734
OR45308438-08	84.38	4.53	NBR	SID-1493
OR31008440-11	84.40	3.10	NBR	SID-290
OR31008440-64	84.40	3.10	FKM	SID-691
OR58008440-08	84.40	5.80	NBR	SID-1058
OR17808450-64	84.50	1.78	FKM	SID-1732
OR20008450-J8	84.50	2.00	Nylon	PPA-971
OR20008450-08	84.50	2.00	NBR	SID-1130
OR30008450-08	84.50	3.00	NBR	SID-328

Part No.	d	c/s	Material	Mould No.
OR30008450-64	84.50	3.00	FKM	SID-800
OR30008450-R1	84.50	3.00	VMQ	SID-1504
OR35008450-08	84.50	3.50	NBR	SID-766
OR35308450-64	84.50	3.53	FKM	SID-1537
OR36008450-08	84.50	3.60	NBR	SID-807
OR37508450-64	84.50	3.75	FKM	SID-1833
OR57008460-08	84.60	5.70	NBR	SID-944
OR57008460-43	84.60	5.70	VMQ	SID-614
OR21008480-64	84.80	2.10	FKM	SID-1522
OR11008500-08	85.00	1.10	NBR	SID-443
OR12508500-64	85.00	1.25	FKM	SID-813
OR14208500-08	85.00	1.42	NBR	SID-1763
OR15008500-63	85.00	1.50	FKM	SID-1110
OR15008500-08	85.00	1.50	NBR	SID-890
OR16008500-08	85.00	1.60	NBR	SID-666
OR20008500-08	85.00	2.00	NBR	SID-127
OR20008500-66	85.00	2.00	FKM	SID-659
OR22508500-08	85.00	2.25	NBR	SID-1784
OR25008500-08	85.00	2.50	NBR	SID-208
OR25008500-64	85.00	2.50	FKM	SID-1354
OR26008500-08	85.00	2.60	NBR	SID-325
OR28008500-08	85.00	2.80	NBR	SID-544
OR30008500-08	85.00	3.00	NBR	SID-126
OR30008500-08	85.00	3.00	NBR	SID-706
OR30008500-64	85.00	3.00	FKM	SID-834
OR30008500-32	85.00	3.00	EPDM	SID-1625
OR30008500-U4	85.00	3.00	EPDM	SID-1570
OR31008500-64	85.00	3.10	FKM	SID-1475
OR35008500-08	85.00	3.50	NBR	SID-112
OR35008500-08	85.00	3.50	NBR	SID-151
OR35008500-64	85.00	3.50	FKM	SID-972
OR35008500-64	85.00	3.50	FKM	SID-779
OR35008500-32	85.00	3.50	EPDM	SID-1649
OR35008500-L3	85.00	3.50	AFLAS	SID-1764
OR37008500-64	85.00	3.70	FKM	SID-600
OR40008500-08	85.00	4.00	NBR	SID-168
OR40008500-06	85.00	4.00	NBR	SID-374
OR40008500-64	85.00	4.00	FKM	SID-922
OR40005800-S8	85.00	4.00	NBR	SID-1657
OR45008500-08	85.00	4.50	NBR	SID-824
OR45008500-64	85.00	4.50	FKM	SID-843
OR50008500-L5	85.00	5.00	PU	POB-156
OR50008500-08	85.00	5.00	NBR	SID-117
OR50008500-T5	85.00	5.00	EPDM	SID-859
OR50008500-64	85.00	5.00	FKM	SID-828
OR50008500-18	85.00	5.00	CR	SID-1539
OR52008500-08	85.00	5.20	NBR	SID-392
OR55008500-66	85.00	5.50	FKM	SID-1726
OR55008500-10	85.00	5.50	NBR	SID-1041
OR55008500-08	85.00	5.50	NBR	SID-1531
OR60008500-08	85.00	6.00	NBR	SID-1092
OR64008500-08	85.00	6.40	NBR	SID-431
OR65008500-41	85.00	6.50	VMQ	SID-1358
OR65008500-08	85.00	6.50	NBR	SID-1827
OR70008500-08	85.00	7.00	NBR	SID-246
OR80008500-08	85.00	8.00	NBR	SIE-117
OR85008500-06	85.00	8.50	NBR	SIE-875
OR93008500-06	85.00	9.30	NBR	SIE-883
OR10008500-08	85.00	10.00	NBR	SIE-524
OR10008500-20	85.00	10.00	CR	SIE-1475
OR12508500-66	85.00	12.50	FKM	SIE-1051
OR13008500-08	85.00	13.00	NBR	SIE-1345
OR53308509-08	85.09	5.33	NBR	SID-361
OR53308509-64	85.09	5.33	FKM	SID-669
OR53308509-T5	85.09	5.33	EPDM	SID-848
OR53308509-O3	85.09	5.33	NBR	SID-1688
OR53308510-32	85.10	5.33	EPDM	SID-743
OR30008530-10	85.30	3.00	NBR	SID-1129
OR33508531-08	85.31	3.35	NBR	SID-1353
OR35308532-64	85.32	3.53	FKM	SID-977
OR35308532-08	85.32	3.53	NBR	SID-647
OR35308532-08	85.32	3.53	NBR	SID-592
OR35308532-64	85.32	3.53	FKM	SID-497

Bold sizes are readily available in stock.
Other material are available on request.

Part No.	d	c/s	Material	Mould No.
OR35308532-11	85.32	3.53	NBR	SID-913
OR35308532-68	85.32	3.53	FKM	SID-803
OR35308532-18	85.32	3.53	CR	SID-1490
OR35308532-D6	85.32	3.53	HNBR	SID-1769
OR17808534-08	85.34	1.78	NBR	SID-584
OR17808534-O4	85.34	1.78	FKM	SID-1323
OR17808534-T2	85.34	1.78	VMQ	SID-1700
OR93008547-08	85.47	9.30	NBR	SIE-463
OR93008547-08	85.47	9.30	NBR	SIE-840
OR25008550-43	85.50	2.50	VMQ	SID-1466
OR53308550-10	85.50	5.33	NBR	SID-101
OR31008560-08	85.60	3.10	NBR	SID-1237
OR26208570-BU	85.70	2.62	NBR	SID-1345
OR35008570-D5	85.70	3.50	HNBR	SID-731
OR47008570-08	85.70	4.70	NBR	SID-381
OR48008570-08	85.70	4.80	NBR	SID-281
OR31708572-08	85.72	3.17	NBR	SID-1006
OR31708572-64	85.72	3.17	FKM	SID-714
OR40008572-64	85.72	4.00	FKM	SID-992
OR47608572-64	85.72	4.76	FKM	SID-449
OR63508572-11	85.72	6.35	NBR	SID-1068
OR30208588-C1	85.88	3.02	XNBR	SID-1592
OR53308590-67	85.90	5.33	FKM	SID-1443
OR10008600-08	86.00	1.00	NBR	SID-1560
OR12705600-08	86.00	1.27	NBR	SID-1407
OR15008600-08	86.00	1.50	NBR	SID-1699
OR20008600-08	86.00	2.00	NBR	SID-571
OR20008600-T5	86.00	2.00	EPDM	SID-1282
OR20008600-64	86.00	2.00	FKM	SID-1714
OR25008600-08	86.00	2.50	NBR	SID-494
OR26208600-20	86.00	2.62	CR	SID-1020
OR26208600-64	86.00	2.62	FKM	SID-872
OR30008600-08	86.00	3.00	NBR	SID-179
OR30008600-43	86.00	3.00	VMQ	SID-696
OR30008600-64.	86.00	3.00	FKM	SID-785
OR30008600-64	86.00	3.00	FKM	SID-1682
OR35008600-08	86.00	3.50	NBR	SID-357
OR35008600-67	86.00	3.50	FKM	SID-1395
OR40008600-08	86.00	4.00	NBR	SID-134
OR40008600-64	86.00	4.00	FKM	SID-789
OR45008600-08	86.00	4.50	NBR	SID-288
OR45008600-08	86.00	4.50	NBR	SID-485
OR45008600-20	86.00	4.50	CR	SID-1423
OR50008600-08	86.00	5.00	NBR	SID-407
OR50008600-64	86.00	5.00	FKM	SID-1409
OR52008600-20	86.00	5.20	CR	SID-793
OR55008600-08	86.00	5.50	NBR	SID-109
OR57008600-08	86.00	5.70	NBR	SID-930
OR60008600-08	86.00	6.00	NBR	SID-575
OR65008600-08	86.00	6.50	NBR	SID-333
OR75008600-66	86.00	7.50	FKM	SIE-485
OR80008600-66	86.00	8.00	FKM	SIE-1208
OR12008600-64	86.00	12.00	FKM	SIE-862
OR16008600-45	86.00	16.00	VMQ	SIE-487
OR16008600-66	86.00	16.00	FKM	SIE-488
OR33008610-66	86.10	3.30	FKM	SID-633
OR18008620-08	86.20	1.80	NBR	SID-452
OR60008627-59	86.27	6.00	PU	POB-304
OR35008640-08	86.40	3.50	NBR	SID-1051
OR27508650-32	86.50	2.75	EPDM	SID-1824
OR35308650-67	86.50	3.53	FKM	SID-555
OR50008650-T5	86.50	5.00	EPDM	SID-1664
OR55008650-08	86.50	5.50	NBR	SID-1055
OR42008660-64	86.60	4.20	FKM	SID-1087
OR30008670-64	86.70	3.00	FKM	SID-715
OR37708672-08	86.72	3.77	NBR	SID-1492
OR53308677-D5	86.77	5.33	HNBR	SID-1444
OR10008700-08	87.00	1.00	NBR	SID-1229
OR10008700-32	87.00	1.00	EPDM	SID-1685
OR15008700-08	87.00	1.50	NBR	SID-489
OR15008700-41	87.00	1.50	VMQ	SID-1519
OR19008700-64	87.00	1.90	FKM	SID-568
OR20008700-V2	87.00	2.00	NBR	SID-1176

Part No.	d	c/s	Material	Mould No.
OR20008700-64	87.00	2.00	FKM	SID-1435
OR21008700-64	87.00	2.10	FKM	SID-1076
OR25008700-08	87.00	2.50	NBR	SID-352
OR25008700-T5	87.00	2.50	EPDM	SID-1606
OR26008700-64	87.00	2.60	FKM	SID-1364
OR30008700-08	87.00	3.00	NBR	SID-1173
OR30008700-08	87.00	3.00	NBR	SID-632
OR30008700-43	87.00	3.00	VMQ	SID-1654
OR35008700-D5	87.00	3.50	HNBR	SID-749
OR35008700-08	87.00	3.50	NBR	SID-1043
OR35408700-65	87.00	3.54	FKM	SID-1680
OR37008700-32	87.00	3.70	EPDM	SID-1753
OR40008700-08	87.00	4.00	NBR	SID-176
OR40008700-32	87.00	4.00	EPDM	SID-920
OR40008700-08	87.00	4.00	NBR	SID-817
OR41508700-67	87.00	4.15	FKM	SID-1660
OR42008700-D6	87.00	4.20	HNBR	SID-1729
OR45008700-08	87.00	4.50	NBR	SID-515
OR45008700-32	87.00	4.50	EPDM	SID-1103
OR45008700-D6	87.00	4.50	HNBR	SID-1787
OR50008700-31	87.00	5.00	EPDM	SID-1674
OR53008700-08	87.00	5.30	NBR	SID-349
OR53008700-T9	87.00	5.30	FKM	SID-1318
OR53308700-08	87.00	5.33	NBR	SID-369
OR53308700-64	87.00	5.33	FKM	SID-1463
OR55008700-08	87.00	5.50	NBR	SID-406
OR55008700-64	87.00	5.50	FKM	SID-1605
OR60008700-08	87.00	6.00	NBR	SID-1225
OR65008700-06	87.00	6.50	NBR	SID-1074
OR70008700-08	87.00	7.00	NBR	SIE-163
OR70008700-43	87.00	7.00	VMQ	SIE-1389
OR78008700-08	87.00	7.80	NBR	SIE-431
OR80008700-08	87.00	8.00	NBR	SIE-860
OR85008700-06	87.00	8.50	NBR	SIE-987
OR90008700-08	87.00	9.00	NBR	SIE-525
OR94008700-08	87.00	9.40	NBR	SIE-924
OR10008700-08	87.00	10.00	NBR	SIE-960
OR10008700-08	87.00	10.00	EPDM	SIE-397
OR11508700-06	87.00	11.50	NBR	SIE-436
OR12008700-08	87.00	12.00	NBR	SIE-1006
OR25008720-D5	87.20	2.50	HNBR	SID-1573
OR57008720-08	87.20	5.70	NBR	SID-1113
OR53308726-61	87.26	5.33	FKM	SID-1193
OR24008730-08	87.30	2.40	NBR	SID-1554
OR45008730-59	87.30	4.50	PU	POB-272
OR50008730-64	87.30	5.00	FKM	SID-1733
OR35308731-64	87.31	3.53	FKM	SID-1588
OR31708732-08	87.32	3.17	NBR	SID-1245
OR20008750-64	87.50	2.00	FKM	SID-1412
OR25008750-D5	87.50	2.50	HNBR	SID-755
OR25008750-08	87.50	2.50	NBR	SID-1797
OR27008750-10	87.50	2.70	NBR	SID-1683
OR27708750-64	87.50	2.77	FKM	SID-650
OR35008750-18	87.50	3.50	CR	SID-1577
OR35508750-08	87.50	3.55	NBR	SID-877
OR35508750-64	87.50	3.55	FKM	SID-1381
OR50008750-08	87.50	5.00	NBR	SID-580
OR53008750-11	87.50	5.30	NBR	SID-1244
OR53008750-67	87.50	5.30	FKM	SID-1780
OR55008750-08	87.50	5.50	NBR	SID-133
OR45308755-64	87.55	4.53	FKM	SID-1125
OR45308755-08	87.55	4.53	NBR	SID-1495
OR26008760-08	87.60	2.60	NBR	SID-1474
OR44708766-08	87.66	4.47	NBR	SID-1202
OR17808768-O3	87.68	1.78	NBR	SID-1713
OR34008770-T2	87.70	3.40	VMQ	SID-1555
OR32008780-08	87.80	3.20	NBR	SID-1277
OR40008780-08	87.80	4.00	NBR	SID-1109
OR26208788-64	87.88	2.62	FKM	SID-1448
OR53208790-R1	87.90	5.32	FVMQ	SID-1506
OR35308794-D5	87.94	3.53	HNBR	SID-1718
OR10008800-08	88.00	1.00	NBR	SID-799
OR12008800-08	88.00	1.20	NBR	SID-1264

Bold sizes are readily available in stock.
 Other material are available on request.

Part No.	d	c/s	Material	Mould No.
OR15008800-08	88.00	1.50	NBR	SID-810
OR15008800-41	88.00	1.50	VMQ	SID-1604
OR18008800-08	88.00	1.80	NBR	SID-1124
OR20008800-08	88.00	2.00	NBR	SID-578
OR20008800-64	88.00	2.00	FKM	SID-1622
OR21008800-64	88.00	2.10	FKM	SID-1077
OR22508800-32	88.00	2.25	EPDM	SID-1695
OR24008800-08	88.00	2.40	NBR	SID-1820
OR25008800-64	88.00	2.50	FKM	SID-835
OR25008800-08	88.00	2.50	NBR	SID-343
OR27508800-20	88.00	2.75	CR	SID-1127
OR30008800-08	88.00	3.00	NBR	SID-319
OR30008800-64	88.00	3.00	FKM	SID-885
OR35008800-08	88.00	3.50	NBR	SID-345
OR35008800-10	88.00	3.50	NBR	SID-152
OR37008800-08	88.00	3.70	NBR	SID-1044
OR40008800-08	88.00	4.00	NBR	SID-416
OR40008800-64	88.00	4.00	FKM	SID-1792
OR50008800-08	88.00	5.00	NBR	SID-523
OR50008800-62	88.00	5.00	FKM	SID-752
OR52008800-08	88.00	5.20	NBR	SID-1247
OR53308800-L5	88.00	5.33	PU	POB-274
OR53308800-67	88.00	5.33	FKM	SID-1431
OR55008800-08	88.00	5.50	NBR	SID-1241
OR55008800-64	88.00	5.50	FKM	SID-1013
OR60008800-08	88.00	6.00	NBR	SID-171
OR60008800-64	88.00	6.00	FKM	SID-1325
OR65008800-08	88.00	6.50	NBR	SIE-355
OR70008800-08	88.00	7.00	NBR	SIE-321
OR80008800-64	88.00	8.00	FKM	SIE-432
OR84008800-08	88.00	8.40	NBR	SIE-164
OR70008800-D5	88.00	7.00	HNBR	SIE-1188
OR12008800-45	88.00	12.00	VMQ	SIE-934
OR43308815-08	88.15	4.33	NBR	SID-1332
OR22708822-08	88.22	2.27	NBR	SID-1595
OR22608823-08	88.23	2.26	NBR	SID-1374
OR33508827-20	88.27	3.35	CR	SID-1596
OR35308827-08	88.27	3.53	NBR	SID-248
OR53308827-64	88.27	5.33	FKM	SID-949
OR53308827-08	88.27	5.33	NBR	SID-589
OR53308827-61	88.27	5.33	FKM	SID-723
OR54008830-08	88.30	5.40	NBR	SID-235
OR38008840-64	88.40	3.80	FKM	SID-745
OR35308849-64	88.49	3.53	FKM	SID-480
OR35308849-34	88.49	3.53	EPDM	SID-667
OR35308849-59	88.49	3.53	PU	POB-243
OR35308849-N8	88.49	3.53	NBR	SID-751
OR35308849-08	88.49	3.53	NBR	SID-756
OR35308849-64	88.49	3.53	FKM	SID-895
OR36008850-08	88.50	3.60	NBR	SID-808
OR40008850-08	88.50	4.00	NBR	SID-166
OR58008850-10	88.50	5.80	NBR	SIE-1484
OR60008850-08	88.50	6.00	NBR	SIE-699
OR26208857-08	88.57	2.62	NBR	SID-542
OR26208857-64	88.57	2.62	FKM	SID-721
OR26208857-T5	88.57	2.62	EPDM	SID-1696
OR28208857-11	88.57	2.82	NBR	SID-1516
OR32008860-08	88.60	3.20	NBR	SID-303
OR57008860-08	88.60	5.70	NBR	SID-378
OR57008860-08	88.60	5.70	NBR	SID-1115
OR17808862-08	88.62	1.78	NBR	SID-433
OR17808862-66	88.62	1.78	FKM	SID-769
OR17808862-11	88.62	1.78	NBR	SID-1566
OR37508875-08	88.75	3.75	NBR	SID-1799
OR33508885-64	88.85	3.35	FKM	SID-634
OR31708890-64	88.90	3.17	FKM	SID-900
OR32008890-08	88.90	3.20	NBR	SID-186
OR35308890-O4	88.90	3.53	FKM	SID-1295
OR40008890-64	88.90	4.00	FKM	SID-993
OR47508890-08	88.90	4.75	NBR	SID-1215
OR47608890-64	88.90	4.76	FKM	SID-448
OR47608890-64	88.90	4.76	FKM	SID-1390
OR63508890-08	88.90	6.35	NBR	SIE-1097

Part No.	d	c/s	Material	Mould No.
OR95208890-11	88.90	9.52	NBR	SIE-528
OR95208890-67	88.90	9.52	FKM	SIE-529
OR26208899-64	88.99	2.62	FKM	SID-1205
OR38008899-20	88.99	3.80	CR	SID-450
OR10008900-08	89.00	1.00	NBR	SID-1226
OR15008900-08	89.00	1.50	NBR	SID-238
OR18008900-D6	89.00	1.80	HNBR	SID-734
OR20508900-08	89.00	2.05	NBR	SID-389
OR20508900-08	89.00	2.05	NBR	SID-514
OR26208900-08	89.00	2.62	NBR	SID-774
OR30008900-08	89.00	3.00	NBR	SID-304
OR30008900-61	89.00	3.00	FKM	SID-873
OR32008900-08	89.00	3.20	NBR	SID-1211
OR35008900-10	89.00	3.50	NBR	SID-125
OR40008900-32	89.00	4.00	EPDM	SID-919
OR40008900-64	89.00	4.00	FKM	SID-849
OR45008900-10	89.00	4.50	NBR	SID-832
OR50008900-08	89.00	5.00	NBR	SID-308
OR50008900-08	89.00	5.00	NBR	SID-224
OR50008900-65	89.00	5.00	FKM	SID-1611
OR50008900-09	89.00	5.00	NBR	SID-1616
OR50008900-64	89.00	5.00	FKM	SID-853
OR51008900-65	89.00	5.10	FKM	SID-1656
OR55008900-08	89.00	5.50	NBR	SIE-823
OR60008900-43	89.00	6.00	VMQ	SIE-1267
OR64008900-08	89.00	6.40	NBR	SIE-192
OR69908900-67	89.00	6.99	FKM	SIE-1096
OR70008900-08	89.00	7.00	NBR	SIE-992
OR80008900-08	89.00	8.00	NBR	SIE-1202
OR13008900-08	89.00	13.00	NBR	SIE-1426
OR19008900-08	89.00	19.00	NBR	SIF-168
OR25008902-08	89.02	2.50	NBR	SID-748
OR57008910-64	89.10	5.70	FKM	SIE-687
OR57008910-10	89.10	5.70	NBR	SIE-828
OR80008910-06	89.10	8.00	NBR	SIE-716
OR32508920-08	89.20	3.25	NBR	SID-746
OR57008920-08	89.20	5.70	NBR	SIE-226
OR57008920-66	89.20	5.70	FKM	SIE-480
OR57008920-28	89.20	5.70	EPDM	SIE-1105
OR60308922-08	89.22	6.03	NBR	SIE-1171
OR42508925-08	89.25	4.25	NBR	SID-1796
OR16008930-08	89.30	1.60	NBR	SID-884
OR57008930-S8	89.30	5.70	NBR	SIE-1064
OR31008940-64	89.40	3.10	FKM	SID-710
OR31008940-08	89.40	3.10	NBR	SID-1253
OR20008950-08	89.50	2.00	NBR	SID-1131
OR25008950-08	89.50	2.50	NBR	SID-1319
OR28008950-08	89.50	2.80	NBR	SID-522
OR30008950-R1	89.50	3.00	VMQ	SID-1442
OR30008950-S8	89.50	3.00	NBR	SID-1745
OR55008950-43	89.50	5.50	VMQ	SIE-447
OR10008950-08	89.50	10.00	NBR	SIE-1158
OR57008960-08	89.60	5.70	NBR	SIE-787
OR35008969-T2	89.69	3.50	VMQ	SID-1542
OR53308969-08	89.69	5.33	NBR	SIE-459
OR53408969-66	89.69	5.34	FKM	SIE-630
OR51008980-08	89.80	5.10	NBR	SID-1100
OR76208981-08	89.81	7.62	NBR	SIE-1067
OR38108985-D5	89.85	3.81	HNBR	SID-1818
OR37708990-08	89.90	3.77	NBR	SID-1481
OR52508993-08	89.93	5.25	NBR	SIE-1444
OR15009000-D5	90.00	1.50	HNBR	SID-591
OR15009000-08	90.00	1.50	NBR	SID-1002
OR18009000-06	90.00	1.80	NBR	SID-1133
OR20009000-D5	90.00	2.00	HNBR	SID-1251
OR20009000-08	90.00	2.00	NBR	SID-139
OR20009000-64	90.00	2.00	FKM	SID-889
OR25009000-64	90.00	2.50	FKM	SID-941
OR25009000-08	90.00	2.50	NBR	SID-579
OR25009000-D5	90.00	2.50	HNBR	SID-651
OR25009000-64	90.00	2.50	NBR	SID-1681
OR26009000-08	90.00	2.60	NBR	SID-782
OR26209000-64	90.00	2.62	FKM	SID-1336

Bold sizes are readily available in stock.
Other material are available on request.

Part No.	d	c/s	Material	Mould No.
OR26509000-08	90.00	2.65	NBR	SID-1561
OR30009000-43	90.00	3.00	VMQ	SID-961
OR30009000-08	90.00	3.00	NBR	SID-262
OR30009000-64	90.00	3.00	FKM	SID-400
OR30009000-08	90.00	3.00	NBR	SID-627
OR30009000-61	90.00	3.00	FKM	SID-882
OR31709000-08	90.00	3.17	NBR	SID-529
OR34009000-64	90.00	3.40	FKM	SID-921
OR35009000-08	90.00	3.50	NBR	SID-500
OR35009000-R3	90.00	3.50	PU	POB-228
OR35009000-64	90.00	3.50	FKM	SID-717
OR35509000-64	90.00	3.55	FKM	SID-709
OR38009000-08	90.00	3.80	NBR	SID-1206
OR40009000-08	90.00	4.00	NBR	SID-120
OR40009000-64	90.00	4.00	FKM	SID-663
OR43509000-08	90.00	4.35	NBR	SID-698
OR45009000-08	90.00	4.50	NBR	SID-423
OR45009000-64	90.00	4.50	FKM	SID-1623
OR50009000-59	90.00	5.00	PU	POB-137
OR50009000-08	90.00	5.00	NBR	SID-280
OR50009000-32	90.00	5.00	EPDM	SID-672
OR50009000-64	90.00	5.00	FKM	SID-753
OR50009000-32	90.00	5.00	EPDM	SID-863
OR50009000-43	90.00	5.00	VMQ	SID-1742
OR52509000-08	90.00	5.25	NBR	SIE-707
OR53009000-08	90.00	5.30	NBR	SIE-628
OR53309000-42	90.00	5.33	VMQ	SIE-669
OR53309000-T3	90.00	5.33	EPDM	SIE-1394
OR55009000-08	90.00	5.50	NBR	SIE-208
OR55009000-64	90.00	5.50	FKM	SIE-762
OR55009000-L5	90.00	5.50	PU	POC-170
OR55309000-64	90.00	5.53	FKM	SIE-887
OR57009000-10	90.00	5.70	NBR	SIE-746
OR57509000-64	90.00	5.75	FKM	SIE-912
OR60009000-08	90.00	6.00	NBR	SIE-278
OR60009000-08	90.00	6.00	NBR	SIE-251
OR60009000-64	90.00	6.00	FKM	SIE-1060
OR63009000-66	90.00	6.30	FKM	SIE-1162
OR63509000-10	90.00	6.35	NBR	SIE-270
OR70009000-08	90.00	7.00	NBR	SIE-509
OR70009000-26	90.00	7.00	EPDM	SIE-1013
OR70009000-64	90.00	7.00	FKM	SIE-1356
OR75009000-43	90.00	7.50	VMQ	SIE-427
OR75009000-T5	90.00	7.50	EPDM	SIE-1228
OR80009000-08	90.00	8.00	NBR	SIE-587
OR80009000-66	90.00	8.00	FKM	SIE-1090
OR80009000-41	90.00	8.00	VMQ	SIE-1229
OR10009000-08	90.00	10.00	NBR	SIE-293
OR10009000-08	90.00	10.00	NBR	SIE-159
OR10009000-T2	90.00	10.00	VMQ	SIE-1315
OR12009000-08	90.00	12.00	NBR	SIE-340
OR46509020-08	90.20	4.65	NBR	SID-1094
OR53309024-08	90.24	5.33	NBR	SIE-368
OR53309030-41	90.30	5.33	VMQ	SIE-1441
OR47709049-08	90.49	4.77	NBR	SIE-1465
OR55009050-11	90.50	5.50	NBR	SIE-1005
OR64009050-08	90.50	6.40	NBR	SIE-131
OR25409050-10	90.50	25.40	NBR	SIF-1007
OR24009060-08	90.60	2.40	NBR	SID-1746
OR57009060-08	90.60	5.70	NBR	SIE-200
OR11009060-11	90.60	11.00	NBR	SIE-1222
OR10009070-08	90.70	1.00	NBR	SID-1231
OR75409089-08	90.89	7.54	NBR	SIE-1187
OR20009100-08	91.00	2.00	NBR	SID-1232
OR25009100-08	91.00	2.50	NBR	SID-264
OR26209100-08	91.00	2.62	NBR	SID-625
OR26209100-D5	91.00	2.62	HNBR	SID-738
OR26509100-11	91.00	2.65	NBR	SID-1065
OR30009100-08	91.00	3.00	NBR	SID-311
OR30009100-64	91.00	3.00	FKM	SID-1642
OR32009100-64	91.00	3.20	FKM	SID-687
OR35009100-08	91.00	3.50	NBR	SID-336
OR35009100-64	91.00	3.50	FKM	SID-1333

Part No.	d	c/s	Material	Mould No.
OR40009100-08	91.00	4.00	NBR	SID-420
OR40009100-32	91.00	4.00	EPDM	SID-855
OR43009100-08	91.00	4.30	NBR	SID-1180
OR45009100-08	91.00	4.50	NBR	SID-1236
OR45009100-64	91.00	4.50	FKM	SID-1376
OR50009100-08	91.00	5.00	NBR	SIE-744
OR53009100-08	91.00	5.30	NBR	SIE-387
OR60009100-08	91.00	6.00	NBR	SIE-947
OR65009100-L5	91.00	6.50	PU	POC-158
OR65009100-08	91.00	6.50	NBR	SIE-822
OR70009100-08	91.00	7.00	NBR	SIE-313
OR70009100-43	91.00	7.00	VMQ	SIE-1364
OR90009100-43	91.00	9.00	VMQ	SIE-1366
OR52009130-08	91.30	5.20	NBR	SIE-188
OR23909135-64	91.35	2.39	FKM	SID-1568
OR22809138-C1	91.38	2.28	XNBR	SID-1541
OR22609140-08	91.40	2.26	HNBR	SID-1138
OR22709140-08	91.40	2.27	NBR	SID-1498
OR50009140-08	91.40	5.00	NBR	SIE-304
OR33309144-64	91.44	3.33	FKM	SID-1559
OR53309144-08	91.44	5.33	NBR	SIE-108
OR53309144-43	91.44	5.33	VMQ	SIE-601
OR53309144-64	91.44	5.33	FKM	SIE-547
OR53309144-T5	91.44	5.33	EPDM	SIE-1405
OR69909144-10	91.44	6.99	NBR	SIE-981
OR69909144-66	91.44	6.99	FKM	SIE-1480
OR37009160-08	91.60	3.70	NBR	SID-1023
OR50009160-43	91.60	5.00	VMQ	SIE-809
OR35309167-P9	91.66	3.53	HNBR	SID-1252
OR35309167-67	91.67	3.53	FKM	SID-998
OR35309167-08	91.67	3.53	NBR	SID-981
OR35309167-08	91.67	3.53	NBR	SID-602
OR35309167-64	91.67	3.53	FKM	SID-603
OR35309167-D6	91.67	3.53	HNBR	SID-737
OR35309167-11	91.67	3.53	NBR	SID-916
OR36309167-08	91.67	3.63	NBR	SID-1455
OR37309167-08	91.67	3.73	NBR	SID-1456
OR38309167-08	91.67	3.83	NBR	SID-1457
OR17809170-08	91.70	1.78	NBR	SID-581
OR17809170-64	91.70	1.78	FKM	SID-819
OR17809170-43	91.70	1.78	VMQ	SID-1467
OR52009170-08	91.70	5.20	NBR	SIE-1151
OR12709190-34	91.90	12.70	EPDM	SIE-560
OR15009200-64	92.00	1.50	FKM	SID-821
OR15009200-08	92.00	1.50	NBR	SID-111
OR16009200-10	92.00	1.60	NBR	SID-548
OR20009200-08	92.00	2.00	NBR	SID-532
OR20009200-64	92.00	2.00	FKM	SID-829
OR25009200-64	92.00	2.50	FKM	SID-1159
OR25009200-08	92.00	2.50	NBR	SID-583
OR26209200-08	92.00	2.62	NBR	SID-1016
OR30009200-08	92.00	3.00	NBR	SID-707
OR30009200-32	92.00	3.00	EPDM	SID-712
OR30009200-08	92.00	3.00	NBR	SID-546
OR30009200-20	92.00	3.00	CR	SID-1536
OR30009200-41	92.00	3.00	VMQ	SID-1811
OR31009200-17	92.00	3.10	CR	SID-671
OR31009200-64	92.00	3.10	FKM	SID-851
OR32009200-08	92.00	3.20	NBR	SID-182
OR35009200-10	92.00	3.50	NBR	SID-153
OR35009200-64	92.00	3.50	FKM	SID-1132
OR40009200-64	92.00	4.00	FKM	SID-1156
OR40009200-08	92.00	4.00	NBR	SID-565
OR45009200-08	92.00	4.50	NBR	SIE-918
OR47509200-D6	92.00	4.75	HNBR	SIE-1387
OR48009200-08	92.00	4.80	NBR	SIE-452
OR50009200-08	92.00	5.00	NBR	SIE-135
OR50009200-08	92.00	5.00	NBR	SIE-820
OR50009200-T5	92.00	5.00	EPDM	SIE-1289
OR50009200-43	92.00	5.00	VMQ	SIE-1341
OR53309200-D6	92.00	5.33	HNBR	SIE-602
OR53509200-08	92.00	5.35	NBR	SIE-137
OR54009200-08	92.00	5.40	NBR	SIE-119

Bold sizes are readily available in stock.
 Other material are available on request.

Part No.	d	c/s	Material	Mould No.
OR55009200-61	92.00	5.50	FKM	SIE-936
OR55009200-08	92.00	5.50	NBR	SIE-1123
OR60009200-08	92.00	6.00	NBR	SIE-205
OR65009200-43	92.00	6.50	VMQ	SIE-985
OR70009200-64	92.00	7.00	FKM	SIE-727
OR70009200-11	92.00	7.00	NBR	SIE-1017
OR80009200-41	92.00	8.00	VMQ	SIE-1232
OR90009200-08	92.00	9.00	NBR	SIE-1259
OR95009200-08	92.00	9.50	NBR	SIE-878
OR10009200-20	92.00	10.00	CR	SIE-805
OR10009200-64	92.00	10.00	FKM	SIE-1201
OR79409207-08	92.07	7.94	NBR	SIE-301
OR38509220-30	92.20	3.85	EPDM	SID-1140
OR30209223-08	92.23	3.02	NBR	SID-1491
OR30209223-D5	92.23	3.02	HNBR	SID-1590
OR30009225-64	92.25	3.00	FKM	SID-1249
OR30009225-D5	92.25	3.00	HNBR	SID-728
OR29909231-64	92.31	2.99	FKM	SID-1331
OR63509249-64	92.49	6.35	FKM	SIE-989
OR25009250-08	92.50	2.50	NBR	SID-1798
OR30009250-20	92.50	3.00	CR	SID-1650
OR50009250-08	92.50	5.00	NBR	SIE-285
OR53009250-08	92.50	5.30	NBR	SIE-334
OR53009250-67	92.50	5.30	FKM	SIE-1435
OR58009250-10	92.50	5.80	NBR	SIE-1483
OR93009250-06	92.50	9.30	NBR	SIE-684
OR10009260-32	92.60	1.00	EPDM	SID-1709
OR17809260-08	92.60	1.78	NBR	SID-1728
OR23809262-08	92.62	2.38	NBR	SID-1080
OR57009280-08	92.80	5.70	NBR	SIE-781
OR62509286-06	92.86	6.25	NBR	SIE-990
OR64509286-06	92.86	6.45	NBR	SIE-928
OR64509286-06	92.86	6.45	NBR	SIE-735
OR35509290-64	92.90	3.55	FKM	SID-839
OR10009300-08	93.00	1.00	NBR	SID-1233
OR15009300-08	93.00	1.50	NBR	SID-1122
OR20009300-J8	93.00	2.00	Nylon	PPA-972
OR20009300-08	93.00	2.00	NBR	SID-726
OR20009300-R1	93.00	2.00	FVMQ	SID-1770
OR21009300-66	93.00	2.10	FKM	SID-1427
OR24009300-08	93.00	2.40	NBR	SID-1082
OR25009300-08	93.00	2.50	NBR	SID-373
OR26209300-08	93.00	2.62	NBR	SID-1158
OR30009300-08	93.00	3.00	NBR	SID-401
OR30009300-64	93.00	3.00	FKM	SID-860
OR30009300-20	93.00	3.00	CR	SID-1341
OR32009300-64	93.00	3.20	FKM	SID-841
OR32509300-08	93.00	3.25	NBR	SID-1007
OR35009300-08	93.00	3.50	NBR	SID-167
OR35309300-Z1	93.00	3.53	NBR	SIE-870
OR35409300-08	93.00	3.54	NBR	SIE-1065
OR40009300-08	93.00	4.00	NBR	SIE-243
OR45009300-08	93.00	4.50	NBR	SIE-949
OR50009300-64	93.00	5.00	FKM	SIE-778
OR50010300-D5	93.00	5.00	HNBR	SIE-1269
OR55009300-08	93.00	5.50	NBR	SIE-1482
OR60009300-65	93.00	6.00	FKM	SIE-976
OR60009300-08	93.00	6.00	NBR	SIE-795
OR65009300-08	93.00	6.50	NBR	SIE-490
OR65009300-64	93.00	6.50	FKM	SIE-1413
OR70009300-08	93.00	7.00	NBR	SIE-948
OR70009300-32	93.00	7.00	EPDM	SIE-1036
OR92009300-06	93.00	9.20	NBR	SIE-685
OR37709307-08	93.07	3.77	NBR	SIE-1175
OR69909310-32	93.10	6.99	EPDM	SIE-1245
OR29509325-D5	93.25	2.95	HNBR	SID-1597
OR26209334-10	93.34	2.62	NBR	SID-1128
OR44009340-08	93.40	4.40	NBR	SIE-662
OR51509340-08	93.40	5.15	NBR	SIE-122
OR90009340-08	93.40	9.00	NBR	SIE-405
OR25409342-64	93.42	2.54	FKM	SID-1121
OR35309350-08	93.50	3.53	NBR	SIE-1388
OR35509350-64	93.50	3.55	FKM	SIE-898

Part No.	d	c/s	Material	Mould No.
OR45009350-08	93.50	4.50	NBR	SIE-1007
OR47609350-32	93.50	4.76	EPDM	SIE-1244
OR50009350-D5	93.50	5.00	HNBR	SIE-603
OR54009350-64	93.50	5.40	FKM	SIE-506
OR55009350-08	93.50	5.50	NBR	SIE-306
OR69909350-64	93.50	6.99	FKM	SIE-1057
OR32009360-08	93.60	3.20	NBR	SID-438
OR26009370-08	93.70	2.60	NBR	SID-1019
OR50009370-08	93.70	5.00	NBR	SIE-533
OR37509375-08	93.75	3.75	NBR	SIE-1454
OR45309390-64	93.90	4.53	FKM	SIE-909
OR45309390-08	93.90	4.53	NBR	SIE-1150
OR10009400-08	94.00	1.00	NBR	SID-114
OR10009400-66	94.00	1.00	FKM	SID-1643
OR17509400-08	94.00	1.75	NBR	SID-1204
OR19009400-64	94.00	1.90	FKM	SID-524
OR20009400-08	94.00	2.00	NBR	SID-394
OR20009400-08	94.00	2.00	NBR	SID-701
OR20009400-43	94.00	2.00	VMQ	SID-1349
OR20009400-64	94.00	2.00	FKM	SID-1594
OR25009400-08	94.00	2.50	NBR	SID-323
OR25009400-64	94.00	2.50	FKM	SID-1054
OR30009400-64	94.00	3.00	FKM	SID-301
OR30009400-08	94.00	3.00	NBR	SID-196
OR30009400-08	94.00	3.00	NBR	SID-702
OR30009400-20	94.00	3.00	CR	SID-1533
OR32009400-08	94.00	3.20	NBR	SIE-1433
OR33009400-20	94.00	3.60	CR	SIE-796
OR35009400-08	94.00	3.50	NBR	SIE-428
OR35009400-64	94.00	3.50	FKM	SIE-974
OR37009400-20	94.00	3.70	CR	SIE-791
OR40009400-08	94.00	4.00	NBR	SIE-412
OR40009400-64	94.00	4.00	FKM	SIE-738
OR50009400-08	94.00	5.00	NBR	SIE-639
OR60009400-03	94.00	6.00	NBR	SIE-908
OR60009400-08	94.00	6.00	NBR	SIE-1085
OR70009400-11	94.00	7.00	NBR	SIE-513
OR90009400-08	94.00	9.00	NBR	SIE-1443
OR95009400-08	94.00	9.50	NBR	SIE-180
OR25009400-08	94.00	25.00	NBR	SIF-991
OR52009410-S8	94.10	5.20	NBR	SIE-900
OR57009410-10	94.10	5.70	NBR	SIE-291
OR57009410-R1	94.10	5.70	FVMQ	SIE-1285
OR58009410-20	94.10	5.80	CR	SIE-1287
OR26209420-08	94.20	2.62	NBR	SID-1143
OR57009420-T5	94.20	5.70	EPDM	SIE-1218
OR57009430-16	94.30	5.70	CR	SIE-559
OR28009440-08	94.40	2.80	NBR	SID-412
OR31009440-11	94.40	3.10	NBR	SIE-420
OR31009440-67	94.40	3.10	FKM	SIE-649
OR31009440-59	94.40	3.10	PU	POC-189
OR65009440-06	94.40	6.50	NBR	SIE-1428
OR35009445-08	94.45	3.50	NBR	SIE-1286
OR30009450-08	94.50	3.00	NBR	SIE-379
OR30009450-R1	94.50	3.00	FVMQ	SIE-1219
OR57009450-08	94.50	5.70	NBR	SIE-129
OR70009450-66	94.50	7.00	FKM	SIE-1092
OR57009460-08	94.60	5.70	NBR	SIE-378
OR57009460-08	94.60	5.70	NBR	SIE-1128
OR69809461-43	94.61	6.98	VMQ	SIE-1439
OR53309462-65	94.62	5.33	FKM	SIE-478
OR53309462-08	94.62	5.33	NBR	SIE-297
OR53309462-24	94.62	5.33	CR	SIE-759
OR53309462-64	94.62	5.33	FKM	SIE-582
OR17809467-03	94.67	1.78	NBR	SID-1765
OR17809474-64	94.74	1.78	FKM	SID-1142
OR33009474-64	94.74	3.30	FKM	SIE-592
OR33009474-08	94.74	3.30	NBR	SIE-613
OR35009480-67	94.80	3.50	FKM	SIE-1073
OR35309480-20	94.80	3.53	CR	SIE-1329
OR35309484-08	94.84	3.53	NBR	SIE-737
OR35309484-08	94.84	3.53	NBR	SIE-458
OR35309484-64	94.84	3.53	FKM	SIE-384

Bold sizes are readily available in stock.
Other material are available on request.

Part No.	d	c/s	Material	Mould No.
OR35309484-T5	94.84	3.53	EPDM	SIE-1160
OR26209492-08	94.92	2.62	NBR	SIE-406
OR26209492-D6	94.92	2.62	HNBR	SIE-609
OR26209492-64	94.92	2.62	FKM	SIE-579
OR26209492-64	94.92	2.62	HNBR	SIE-591
OR26209493-05	94.93	2.62	NBR	SIE-1316
OR26209493-28	94.93	2.62	EPDM	SIE-1311
OR17809497-08	94.97	1.78	NBR	SID-341
OR10009500-64	95.00	1.00	FKM	SID-1694
OR12509500-64	95.00	1.25	FKM	SID-1556
OR15009500-08	95.00	1.50	NBR	SID-959
OR15009500-64	95.00	1.50	FKM	SID-628
OR19009500-S1	95.00	1.90	HNBR	SID-675
OR20009500-08	95.00	2.00	NBR	SID-402
OR20009500-64	95.00	2.00	FKM	SID-1413
OR25009500-D6	95.00	2.50	HNBR	SID-736
OR25009500-08	95.00	2.50	NBR	SID-272
OR25009500-64	95.00	2.50	FKM	SID-1011
OR25009500-D5	95.00	2.50	HNBR	SID-656
OR25009500-66	95.00	2.50	FKM	SID-1465
OR30009500-66	95.00	3.00	FKM	SIE-127
OR30009500-08	95.00	3.00	NBR	SIE-229
OR30009500-08	95.00	3.00	NBR	SIE-507
OR30009500-64	95.00	3.00	FKM	SIE-672
OR30009500-L5	95.00	3.00	PU	POC-183
OR30009500-D5	95.00	3.00	HNBR	SIE-1393
OR31509500-64	95.00	3.15	FKM	SIE-498
OR32009500-64	95.00	3.20	FKM	SIE-565
OR35009500-64	95.00	3.50	FKM	SIE-502
OR35009500-08	95.00	3.50	NBR	SIE-1469
OR35009500-04	95.00	3.50	NBR	SIE-101
OR35309500-D5	95.00	3.53	HNBR	SIE-1376
OR36009500-67	95.00	3.60	FKM	SIE-691
OR36009500-89	95.00	3.60	PU	POC-190
OR37009500-08	95.00	3.70	NBR	SIE-367
OR38009500-64	95.00	3.80	FKM	SIE-965
OR40009500-08	95.00	4.00	NBR	SIE-143
OR40009500-59	95.00	4.00	PU	POC-171
OR40009500-64	95.00	4.00	FKM	SIE-1374
OR45009500-08	95.00	4.50	NBR	SIE-382
OR46009500-R1	95.00	4.60	FVMQ	SIE-1365
OR48009500-08	95.00	4.80	NBR	SIE-867
OR50009500-08	95.00	5.00	NBR	SIE-106
OR50009500-64	95.00	5.00	FKM	SIE-531
OR50009500-L5	95.00	5.00	PU	POC-174
OR50009500-43	95.00	5.00	VMQ	SIE-1440
OR55009500-08	95.00	5.50	NBR	SIE-182
OR55009500-43	95.00	5.50	VMQ	SIE-196
OR55009500-64	95.00	5.50	FKM	SIE-1347
OR60009500-L5	95.00	6.00	PU	POC-150
OR60009500-08	95.00	6.00	NBR	SIE-116
OR60009500-08	95.00	6.00	NBR	SIE-634
OR60009500-64	95.00	6.00	FKM	SIE-1370
OR65009500-08	95.00	6.50	NBR	SIE-376
OR69909500-08	95.00	6.99	NBR	SIE-1041
OR75009500-08	95.00	7.50	NBR	SIE-185
OR78009500-64	95.00	7.80	FKM	SIE-1338
OR80009500-08	95.00	8.00	NBR	SIE-692
OR93009500-D5	95.00	9.30	HNBR	SIE-1260
OR20009500-08	95.00	20.00	NBR	SIF-506
OR53309502-64	95.02	5.33	CR	SIE-538
OR57009510-32	95.10	5.70	EPDM	SIE-1414
OR31709525-08	95.25	3.17	NBR	SIE-320
OR63509525-08	95.25	6.35	NBR	SIE-1467
OR95209525-08	95.25	9.52	NBR	SIE-1477
OR95309525-32	95.25	9.53	EPDM	SIE-1430
OR27609530-08	95.30	2.76	NBR	SIE-838
OR30295400-C1	95.40	3.02	XNBR	SIE-1339
OR54009540-08	95.40	5.40	NBR	SIE-329
OR30209541-08	95.41	3.02	NBR	SIE-1174
OR26209550-08	95.50	2.62	NBR	SIE-968
OR45009550-08	95.50	4.50	NBR	SIE-1024
OR58009550-10	95.50	5.80	NBR	SIE-1486

Part No.	d	c/s	Material	Mould No.
OR69909550-11	95.50	6.99	NBR	SIE-1008
OR26009553-64	95.53	2.60	FKM	SIE-1204
OR60309557-08	95.57	6.03	NBR	SIE-1176
OR27009563-33	95.63	2.70	EPDM	SIE-588
OR53309574-43	95.74	5.33	VMQ	SIE-527
OR25009575-08	95.75	2.50	NBR	SIE-1046
OR45009590-43	95.90	4.50	VMQ	SIE-1058
OR15009600-08	96.00	1.50	NBR	SID-1526
OR17509600-08	96.00	1.75	NBR	SID-1167
OR20009600-08	96.00	2.00	NBR	SID-172
OR20009600-64	96.00	2.00	FKM	SID-1083
OR20009600-08	96.00	2.00	NBR	SID-787
OR25009600-08	96.00	2.50	NBR	SIE-1027
OR26009600-08	96.00	2.60	NBR	SIE-1227
OR30009600-08	96.00	3.00	NBR	SIE-103
OR30009600-64	96.00	3.00	FKM	SIE-552
OR31009600-64	96.00	3.10	FKM	SIE-1165
OR33009600-08	96.00	3.30	NBR	SIE-829
OR35009600-64	96.00	3.50	FKM	SIE-399
OR35009600-08	96.00	3.50	NBR	SIE-308
OR36009600-66	96.00	3.60	FKM	SIE-1130
OR38009600-64	96.00	3.80	FKM	SIE-1112
OR40009600-08	96.00	4.00	NBR	SIE-162
OR40009600-64	96.00	4.00	FKM	SIE-839
OR40009600-L5	96.00	4.00	PU	POC-173
OR42509600-65	96.00	4.25	FKM	SIE-827
OR43009600-08	96.00	4.30	NBR	SIE-439
OR43009600-08	96.00	4.30	NBR	SIE-1334
OR45009600-08	96.00	4.50	NBR	SIE-950
OR45009600-32	96.00	4.50	EPDM	SIE-1301
OR50009600-08	96.00	5.00	NBR	SIE-1213
OR53309600-02	96.00	5.33	NBR	SIE-1313
OR55009600-64	96.00	5.50	FKM	SIE-1367
OR58009600-08	96.00	5.80	NBR	SIE-419
OR58009600-08	96.00	5.80	NBR	SIE-557
OR60009600-08	96.00	6.00	NBR	SIE-121
OR70009600-10	96.00	7.00	NBR	SIE-539
OR70009600-64	96.00	7.00	FKM	SIE-1471
OR80009600-08	96.00	8.00	NBR	SIE-330
OR80009600-41	96.00	8.00	VMQ	SIE-1231
OR90009600-08	96.00	9.00	NBR	SIE-1142
OR15009600-08	96.00	15.00	NBR	SIF-241
OR47609603-R1	96.03	4.76	FVMQ	SIE-1031
OR50009610-59	96.10	5.00	PU	POC-157
OR37709624-08	96.24	3.77	XNBR	SIE-850
OR36009630-10	96.30	3.60	NBR	SIE-1369
OR25009650-08	96.50	2.50	NBR	SIE-945
OR45009650-64	96.50	4.50	FKM	SIE-484
OR50009650-D5	96.50	5.00	HNBR	SIE-611
OR56009650-64	96.50	5.60	FKM	SIE-401
OR16009660-08	96.60	1.60	NBR	SID-1697
OR84009670-67	96.70	8.40	FKM	SIE-1104
OR35309683-64	96.83	3.53	FKM	SIE-1351
OR79409684-08	96.84	7.94	NBR	SIE-1466
OR10009700-64	97.00	1.00	FKM	SID-1641
OR15009700-08	97.00	1.50	NBR	SID-454
OR15009700-64	97.00	1.50	FKM	SID-1314
OR15009700-T5	97.00	1.50	EPDM	SID-1446
OR16009700-08	97.00	1.60	NBR	SIE-1410
OR17009700-08	97.00	1.70	NBR	SIE-932
OR17809700-08	97.00	1.78	NBR	SIE-922
OR20009700-64	97.00	2.00	FKM	SIE-1207
OR20009700-08	97.00	2.00	NBR	SIE-1409
OR25009700-08	97.00	2.50	NBR	SIE-347
OR25009700-D5	97.00	2.50	HNBR	SIE-618
OR30009700-08	97.00	3.00	FKM	SIE-764
OR30009700-08	97.00	3.00	NBR	SIE-214
OR30009700-L5	97.00	3.00	PU	POC-163
OR35009700-08	97.00	3.50	NBR	SIE-623
OR38009700-08	97.00	3.80	NBR	SIE-440
OR40009700-08	97.00	4.00	NBR	SIE-209
OR40009700-T5	97.00	4.00	EPDM	SIE-1045
OR40009700-41	97.00	4.00	VMQ	SIE-1062

Bold sizes are readily available in stock.
 Other material are available on request.

Part No.	d	c/s	Material	Mould No.
OR43009700-41	97.00	4.30	VMQ	SIE-1075
OR45009700-08	97.00	4.50	NBR	SIE-951
OR50009700-08	97.00	5.00	NBR	SIE-102
OR50009700-U1	97.00	5.00	FKM	SIE-1373
OR53309700-08	97.00	5.33	NBR	SIE-845
OR55009700-08	97.00	5.50	NBR	SIE-869
OR57009700-10	97.00	5.70	NBR	SIE-661
OR60009700-43	97.00	6.00	VMQ	SIE-1100
OR70009700-08	97.00	7.00	NBR	SIE-641
OR11509700-L5	97.00	11.50	PU	POC-169
OR15009700-08	97.00	15.00	NBR	SIF-963
OR20509700-08	97.00	20.50	NBR	SIF-169
OR45309707-08	97.07	4.53	HNBR	SIE-901
OR45397070-C1	97.07	4.53	XNBR	SIE-1335
OR45309708-08	97.08	4.53	NBR	SIE-1172
OR57009720-64	97.20	5.70	FKM	SIE-511
OR17709735-64	97.35	1.77	FKM	SIE-1140
OR26209739-64	97.39	2.62	FKM	SIE-1134
OR21009740-08	97.40	2.10	NBR	SIE-770
OR15809740-66	97.40	15.80	FKM	SIF-556
OR33009750-64	97.50	3.30	FKM	SIE-1088
OR45009750-64	97.50	4.50	FKM	SIE-793
OR53009750-64	97.50	5.30	FKM	SIE-512
OR56009750-D5	97.50	5.60	HNBR	SIE-435
OR60009750-32	97.50	6.00	EPDM	SIE-1406
OR25509750-10	97.50	25.50	NBR	SIF-971
OR31509760-L5	97.60	3.15	PU	POC-154
OR33009760-10	97.60	3.30	NBR	SIE-1485
OR35009760-64	97.60	3.50	FKM	SIE-1249
OR53309760-08	97.60	5.33	NBR	SIE-375
OR30009770-41	97.70	3.00	VMQ	SIE-625
OR31509770-64	97.70	3.15	FKM	SIE-1386
OR48009770-08	97.70	4.80	NBR	SIE-171
OR50009770-D5	97.70	5.00	HNBR	SIE-604
OR53309779-64	97.79	5.33	FKM	SIE-455
OR53309779-08	97.79	5.33	NBR	SIE-204
OR53309779-D6	97.79	5.33	HNBR	SIE-610
OR53309779-64	97.79	5.33	FKM	SIE-530
OR35309780-T5	97.80	3.53	EPDM	SIE-1416
OR10209780-11	97.80	10.20	NBR	SIE-425
OR71397870-08	97.87	7.13	NBR	SIE-1350
OR13009790-08	97.90	1.30	NBR	SIE-1251
OR10009800-08	98.00	1.00	NBR	SIE-1234
OR12009800-08	98.00	1.20	NBR	SIE-296
OR15009800-08	98.00	1.50	NBR	SIE-816
OR20009800-08	98.00	2.00	NBR	SIE-198
OR20009800-64	98.00	2.00	FKM	SIE-658
OR24009800-08	98.00	2.40	NBR	SIE-1083
OR25009800-08	98.00	2.50	NBR	SIE-424
OR25009800-43	98.00	2.50	VMQ	SIE-1193
OR29009800-10	98.00	2.90	NBR	SIE-895
OR30009800-08	98.00	3.00	NBR	SIE-394
OR30009800-66	98.00	3.00	FKM	SIE-678
OR30009800-64	98.00	3.00	FKM	SIE-1129
OR31009820-20	98.00	3.10	NBR	SIE-686
OR36009800-08	98.00	3.60	NBR	SIE-942
OR37009800-10	98.00	3.70	NBR	SIE-941
OR38009800-64	98.00	3.80	FKM	SIE-493
OR38009800-08	98.00	3.80	NBR	SIE-940
OR39009800-08	98.00	3.90	NBR	SIE-1118
OR40009800-08	98.00	4.00	NBR	SIE-751
OR40009800-R1	98.00	4.00	FVMQ	SIE-1191
OR40009800-67	98.00	4.00	FKM	SIE-1189
OR45009800-08	98.00	4.50	NBR	SIE-952
OR50009800-08	98.00	5.00	NBR	SIE-305
OR50009800-08	98.00	5.00	NBR	SIE-220
OR50009800-64	98.00	5.00	FKM	SIE-675
OR55009800-64	98.00	5.50	FKM	SIE-761
OR55009800-08	98.00	5.50	NBR	SIE-873
OR58009800-08	98.00	5.80	NBR	SIE-410
OR60009800-08	98.00	6.00	NBR	SIE-316
OR60009800-08	98.00	6.00	NBR	SIE-215
OR65009800-08	98.00	6.50	NBR	SIE-1139

Part No.	d	c/s	Material	Mould No.
OR70009800-06	98.00	7.00	NBR	SIE-927
OR70009800-08	98.00	7.00	NBR	SIE-961
OR70009800-08	98.00	7.00	NBR	SIE-292
OR70009800-64	98.00	7.00	FKM	SIE-1001
OR75009800-08	98.00	7.50	NBR	SIE-705
OR80009800-08	98.00	8.00	NBR	SIE-499
OR82009800-08	98.00	8.20	NBR	SIE-1163
OR90009800-35	98.00	9.00	EPDM	SIE-732
OR12009800-08	98.00	12.00	NBR	SIE-337
OR13009800-08	98.00	13.00	NBR	SIE-1412
OR16509800-43	98.00	16.50	VMQ	SIF-136
OR20009800-08	98.00	20.00	NBR	SIF-967
OR35309802-11	98.02	3.53	NBR	SIE-734
OR35309802-08	98.02	3.53	NBR	SIE-233
OR35309802-45	98.02	3.53	VMQ	SIE-695
OR35309802-T5	98.02	3.53	EPDM	SIE-673
OR35309802-64	98.02	3.53	FKM	SIE-660
OR35309802-08	98.02	3.53	NBR	SIE-568
OR17809805-64	98.05	1.78	FKM	SIE-937
OR17809805-08	98.05	1.78	NBR	SIE-442
OR32509820-08	98.20	3.25	NBR	SIE-725
OR54009820-08	98.20	5.40	NBR	SIE-790
OR52509824-20	98.24	5.25	CR	SIE-1354
OR16009840-08	98.40	1.60	NBR	SIE-1119
OR40009840-08	98.40	4.00	NBR	SIE-160
OR47009840-08	98.40	4.70	NBR	SIE-261
OR95009840-08	98.40	9.50	NBR	SIE-240
OR31809842-08	98.42	3.18	NBR	SIE-1461
OR26209850-66	98.50	2.62	FKM	SIE-871
OR35009850-08	98.50	3.50	NBR	SIE-350
OR43009850-10	98.50	4.30	NBR	SIE-935
OR30209858-08	98.58	3.02	NBR	SIE-1184
OR30209858-C1	98.58	3.02	XNBR	SIE-1378
OR57009860-64	98.60	5.70	FKM	SIE-853
OR77009860-06	98.60	7.70	NBR	SIE-1429
OR32009870-64	98.70	3.20	FKM	SIE-1079
OR37509875-08	98.75	3.75	NBR	SIE-1452
OR62809875-64	98.75	6.28	FKM	SIE-1042
OR42009880-64	98.80	4.20	FKM	SIE-1199
OR50009880-08	98.80	5.00	NBR	SIE-1302
OR35009890-08	98.90	3.50	NBR	SIE-834
OR60009890-64	98.90	6.00	FKM	SIE-1004
OR36009894-64	98.94	3.60	FKM	SIE-1055
OR10009900-08	99.00	1.00	NBR	SIE-953
OR15009900-08	99.00	1.50	NBR	SIE-407
OR18009900-41	99.00	1.80	VMQ	SIE-476
OR16009900-64	99.00	1.60	FKM	SIE-580
OR17009900-08	99.00	1.70	NBR	SIE-718
OR20009900-64	99.00	2.00	FKM	SIE-750
OR25009900-D5	99.00	2.50	HNBR	SIE-619
OR25009900-08	99.00	2.50	NBR	SIE-648
OR30009900-08	99.00	3.00	NBR	SIE-130
OR30009900-08	99.00	3.00	NBR	SIE-570
OR30009900-64	99.00	3.00	FKM	SIE-841
OR35009900-08	99.00	3.50	NBR	SIE-964
OR35309900-32	99.00	3.53	EPDM	SIE-1404
OR40009900-64	99.00	4.00	FKM	SIE-779
OR40009900-34	99.00	4.00	EPDM	SIE-784
OR45009900-08	99.00	4.50	NBR	SIE-963
OR51009900-10	99.00	5.10	NBR	SIE-629
OR55009900-08	99.00	5.50	NBR	SIE-353
OR60009900-08	99.00	6.00	NBR	SIE-212
OR60009900-08	99.00	6.00	NBR	SIE-145
OR70009900-08	99.00	7.00	NBR	SIE-954
OR77009900-06	99.00	7.70	NBR	SIE-882
OR80009900-08	99.00	8.00	NBR	SIE-620
OR15009900-08	99.00	15.00	NBR	SIF-1214
OR57009910-08	99.10	5.70	NBR	SIE-290
OR16009920-08	99.20	1.60	NBR	SIE-939
OR30009920-64	99.20	3.00	FKM	SIE-1071
OR32509920-08	99.20	3.25	NBR	SIE-848
OR57009920-66	99.20	5.70	FKM	SIE-627
OR39709922-08	99.22	3.97	NBR	SIE-1464

Bold sizes are readily available in stock.
Other material are available on request.

Part No.	d	c/s	Material	Mould No.
OR50009930-64	99.30	5.00	FKM	SIE-319
OR57009930-08	99.30	5.70	NBR	SIE-393
OR57009930-R1	99.30	5.70	FVMQ	SIE-1016
OR53309934-08	99.34	5.33	NBR	SIE-494
OR31009940-64	99.40	3.10	FKM	SIE-931
OR20009950-08	99.50	2.00	NBR	SIE-896
OR26209950-08	99.50	2.62	NBR	SIE-1012
OR28009950-08	99.50	2.80	NBR	SIE-1152
OR30009950-10	99.50	3.00	NBR	SIE-586
OR30009950-08	99.50	3.00	NBR	SIE-642
OR30009950-08	99.50	3.00	NBR	SIE-814
OR30009950-R1	99.50	3.00	FVMQ	SIE-1138
OR30009950-89	99.50	3.00	PU	POC-185
OR35009960-64	99.60	3.50	FKM	SIE-657
OR22609964-08	99.64	2.26	NBR	SIE-1052
OR30009980-08	99.80	3.00	NBR	SIE-1161
OR51009990-66	99.90	5.10	FKM	SIE-594
OR51009990-08	99.90	5.10	NBR	SIE-1275
OR10010000-08	100.00	1.00	NBR	SIE-863
OR12010000-08	100.00	1.20	NBR	SIE-959
OR15010000-20	100.00	1.50	CR	SIE-1344
OR15010000-66	100.00	1.50	FKM	SIE-650
OR15010000-08	100.00	1.50	NBR	SIE-1023
OR15010000-43	100.00	1.50	VMQ	SIE-1103
OR17810000-64	100.00	1.78	FKM	SIE-743
OR18010000-08	100.00	1.80	NBR	SIE-803
OR20010000-08	100.00	2.00	NBR	SIE-348
OR20010000-08	100.00	2.00	NBR	SIE-549
OR20010000-64	100.00	2.00	FKM	SIE-1059
OR25010000-66	100.00	2.50	FKM	SIE-766
OR25010000-08	100.00	2.50	NBR	SIE-271
OR25010000-64	100.00	2.50	FKM	SIE-929
OR25010000-08	100.00	2.50	HNBR	SIE-532
OR26210000-08	100.00	2.62	NBR	SIE-785
OR27001000-64	100.00	2.70	FKM	SIE-1121
OR30010000-08	100.00	3.00	NBR	SIE-352
OR30010000-08	100.00	3.00	NBR	SIE-572
OR30010000-64	100.00	3.00	FKM	SIE-578
OR30010000-R1	100.00	3.00	FVMQ	SIE-1368
OR32010000-08	100.00	3.20	NBR	SIE-199
OR32001000-64	100.00	3.20	FKM	SIE-1009
OR33010000-08	100.00	3.30	NBR	SIE-857
OR35010000-08	100.00	3.50	NBR	SIE-168
OR35010000-08	100.00	3.50	NBR	SIE-577
OR35010000-64	100.00	3.50	FKM	SIE-1086
OR37510000-32	100.00	3.75	EPDM	SIE-503
OR38510000-06	100.00	3.85	NBR	SIE-569
OR40010000-39	100.00	4.00	VMQ	SIE-798
OR40010000-08	100.00	4.00	NBR	SIE-219
OR40010000-64	100.00	4.00	FKM	SIE-631
OR42510000-08	100.00	4.25	NBR	SIE-612
OR47010000-08	100.00	4.70	NBR	SIE-236
OR50010000-L5	100.00	5.00	PU	POC-120
OR50010000-08	100.00	5.00	NBR	SIE-385
OR50010000-64	100.00	5.00	FKM	SIE-491
OR50010000-08	100.00	5.00	NBR	SIE-107
OR50010000-08	100.00	5.00	NBR	SIE-574
OR50010000-08	100.00	5.00	NBR	SIE-1258
OR50010000-65	100.00	5.00	FKM	SIE-1283
OR50010000-18	100.00	5.00	CR	SIE-1431
OR51010000-65	100.00	5.10	FKM	SIE-1310
OR53301000-42	100.00	5.33	VMQ	SIE-668
OR53310000-08	100.00	5.33	NBR	SIE-1214
OR55010000-08	100.00	5.50	NBR	SIE-150
OR55010000-64	100.00	5.50	FKM	SIE-885
OR57010000-11	100.00	5.70	NBR	SIE-1314
OR60010000-08	100.00	6.00	NBR	SIE-274
OR60010000-66	100.00	6.00	FKM	SIE-1056
OR63001000-08	100.00	6.30	NBR	SIE-1167
OR65010000-66	100.00	6.50	FKM	SIE-978
OR65010000-08	100.00	6.50	NBR	SIE-1291
OR70010000-08	100.00	7.00	FKM	SIE-917
OR70001000-43	100.00	7.00	VMQ	SIE-417

Part No.	d	c/s	Material	Mould No.
OR70010000-08	100.00	7.00	NBR	SIE-794
OR75010000-64	100.00	7.50	FKM	SIE-437
OR75010000-08	100.00	7.50	NBR	SIE-1091
OR80010000-64	100.00	8.00	FKM	SIE-1047
OR10010000-08	100.00	10.00	NBR	SIE-362
OR12010000-08	100.00	12.00	NBR	SIE-666
OR12501000-08	100.00	12.50	NBR	SIE-977
OR15001000-08	100.00	15.00	NBR	SIF-356
OR17001000-08	100.00	17.00	NBR	SIF-894
OR20001000-08	100.00	20.00	NBR	SIF-431
OR79210003-D6	100.03	7.92	HNBR	SIE-998
OR27010010-08	100.10	2.70	NBR	SIE-1210
OR45710021-D5	100.21	4.57	HNBR	SIE-1346
OR45310025-08	100.25	4.53	NBR	SIE-1179
OR45010050-08	100.50	4.50	NBR	SIE-149
OR26210070-66	100.70	2.62	FKM	SIE-893
OR40010080-08	100.80	4.00	NBR	SIE-880
OR23810081-08	100.81	2.38	NBR	SIE-1462
OR53310097-59	100.97	5.33	PU	POC-109
OR53310097-08	100.97	5.33	NBR	SIE-360
OR53310097-64	100.97	5.33	FKM	SIE-450
OR53310097-03	100.97	5.33	NBR	SIE-1309
OR69910097-43	100.97	6.99	VMQ	SIE-1402
OR16010100-08	101.00	1.60	NBR	SIE-1391
OR17810100-64	101.00	1.78	FKM	SIE-1164
OR18010100-43	101.00	1.80	VMQ	SIE-472
OR20010100-08	101.00	2.00	NBR	SIE-955
OR25010100-08	101.00	2.50	NBR	SIE-956
OR26010100-06	101.00	2.60	NBR	SIE-842
OR28010100-08	101.00	2.80	NBR	SIE-1154
OR30010100-34	101.00	3.00	EPDM	SIE-1116
OR30010100-08	101.00	3.00	NBR	SIE-1212
OR35010100-11	101.00	3.50	NBR	SIE-1438
OR40010100-64	101.00	4.00	FKM	SIE-1296
OR45010100-08	101.00	4.50	NBR	SIE-332
OR50010100-08	101.00	5.00	NBR	SIE-195
OR50010100-08	101.00	5.00	NBR	SIE-118
OR55010100-43	101.00	5.50	VMQ	SIE-849
OR57010100-64	101.00	5.70	FKM	SIE-721
OR60010100-08	101.00	6.00	NBR	SIE-957
OR80010100-64	101.00	8.00	FKM	SIE-556
OR12010100-08	101.00	12.00	NBR	SIE-1156
OR35310119-64	101.19	3.53	FKM	SIE-396
OR35310119-08	101.19	3.53	NBR	SIE-175
OR35310119-67	101.19	3.53	FKM	SIE-624
OR35310119-S4	101.19	3.53	HNBR	SIE-1070
OR36010120-11	101.20	3.60	NBR	SIE-504
OR36010120-11	101.20	3.60	NBR	SIE-702
OR36010120-68	101.20	3.60	FKM	SIE-671
OR26210127-08	101.27	2.62	NBR	SIE-372
OR26210127-S4	101.27	2.62	HNBR	SIE-1025
OR26210127-64	101.27	2.62	FKM	SIE-1343
OR17810134-S8	101.32	1.78	NBR	SIE-105
OR30010140-64	101.40	3.00	FKM	SIE-667
OR40010140-64	101.40	4.00	FKM	SIE-659
OR35010144-08	101.44	3.50	NBR	SIE-846
OR19010150-S1	101.50	1.90	HNBR	SIE-555
OR26510150-43	101.50	2.65	VMQ	SIE-564
OR69910150-32	101.50	6.99	EPDM	SIE-1246
OR47410158-08	101.58	4.74	NBR	SIE-1270
OR15910160-06	101.60	1.59	NBR	SIE-1082
OR18010160-06	101.60	1.80	NBR	SIE-843
OR20010160-08	101.60	2.00	NBR	SIE-933
OR31710160-08	101.60	3.17	NBR	SIE-358
OR35010160-08	101.60	3.50	NBR	SIE-255
OR47810160-S8	101.60	4.78	NBR	SIE-239
OR53310160-64	101.60	5.33	EPDM	SIE-1223
OR57010160-08	101.60	5.70	NBR	SIE-462
OR63010160-08	101.60	6.30	NBR	SIE-201
OR71010160-08	101.60	7.10	NBR	SIE-264
OR79210160-10	101.60	7.92	NBR	SIE-1146
OR190510160-64	101.60	19.05	FKM	SIF-929
OR190510160-K3	101.60	19.05	Hytre	POC-164

Bold sizes are readily available in stock.
 Other material are available on request.

Part No.	d	c/s	Material	Mould No.
OR25410160-43	101.60	25.40	VMQ	SIG-935
OR30210175-C1	101.75	3.02	XNBR	SIE-1336
OR10010200-08	102.00	1.00	NBR	SIE-1206
OR15010200-08	102.00	1.50	NBR	SIE-652
OR18010200-08	102.00	1.80	NBR	SIE-1332
OR20010200-08	102.00	2.00	NBR	SIE-962
OR20010200-64	102.00	2.00	FKM	SIE-730
OR23010200-08	102.00	2.30	NBR	SIE-1108
OR25010200-64	102.00	2.50	FKM	SIE-505
OR25010200-08	102.00	2.50	NBR	SIE-573
OR25010200-08	102.00	2.50	NBR	SIE-265
OR26201020-N8	102.00	2.62	NBR	SIE-558
OR28010200-08	102.00	2.80	NBR	SIE-999
OR30010200-08	102.00	3.00	NBR	SIE-184
OR30010200-64	102.00	3.00	FKM	SIE-703
OR33010200-64	102.00	3.30	FKM	SIE-780
OR35010200-08	102.00	3.50	NBR	SIE-997
OR35010200-BA	102.00	3.50	FKM	SIE-1362
OR36010200-08	102.00	3.60	NBR	SIE-807
OR40010200-08	102.00	4.00	NBR	SIE-134
OR40010200-08	102.00	4.00	FKM	SIE-1203
OR40010200-U4	102.00	4.00	EPDM	SIE-1252
OR42010200-08	102.00	4.20	NBR	SIE-1446
OR45010200-08	102.00	4.50	NBR	SIE-979
OR45010200-64	102.00	4.50	FKM	SIE-823
OR50001020-D5	102.00	5.00	HNBR	SIE-970
OR50010200-08	102.00	5.00	NBR	SIE-232
OR53310200-N8	102.00	5.33	NBR	SIE-723
OR53310200-67	102.00	5.33	FKM	SIE-423
OR53310200-D5	102.00	5.33	HNBR	SIE-700
OR55010200-08	102.00	5.50	NBR	SIE-298
OR55010200-08	102.00	5.50	NBR	SIE-1399
OR60010200-43	102.00	6.00	VMQ	SIE-1049
OR60010200-08	102.00	6.00	NBR	SIE-1192
OR65010200-64	102.00	6.50	FKM	SIE-1424
OR90010200-08	102.00	9.00	NBR	SIE-1101
OR11001020-08	102.00	11.00	NBR	SIE-1349
OR19210208-08	102.08	1.92	NBR	SIE-1328
OR37310211-08	102.11	3.73	NBR	SIE-1417
OR39710240-08	102.40	3.97	NBR	SIE-1459
OR16010250-08	102.50	1.60	NBR	SIE-1247
OR30010250-62	102.50	3.00	FKM	SIE-1110
OR33010250-64	102.50	3.30	FKM	SIE-1355
OR42010250-64	102.50	4.20	FKM	SIE-543
OR37710259-11	102.59	3.77	NBR	SIE-698
OR82510260-08	102.60	8.25	NBR	SIE-433
OR95010280-D6	102.80	9.50	HNBR	SIE-114
OR95010280-08	102.80	9.50	NBR	SIE-851
OR66010290-S8	102.90	6.60	NBR	SIE-1423
OR10010300-08	103.00	1.00	NBR	SIE-349
OR15010300-08	103.00	1.50	NBR	SIE-1205
OR16010300-64	103.00	1.60	FKM	SIE-1030
OR18010300-43	103.00	1.80	VMQ	SIE-1253
OR20010300-08	103.00	2.00	NBR	SIE-429
OR27010300-64	103.00	2.70	FKM	SIE-1241
OR30010300-08	103.00	3.00	NBR	SIE-653
OR30010300-61	103.00	3.00	FKM	SIE-683
OR30010300-43	103.00	3.00	VMQ	SIE-1120
OR32010300-08	103.00	3.20	NBR	SIE-489
OR32510300-64	103.00	3.25	FKM	SIE-943
OR35010300-08	103.00	3.50	NBR	SIE-430
OR33310300-66	103.00	3.53	FKM	SIE-1141
OR35510300-08	103.00	3.55	NBR	SIE-769
OR40010300-08	103.00	4.00	NBR	SIE-907
OR40010300-64	103.00	4.00	FKM	SIE-144
OR42510300-08	103.00	4.25	NBR	SIE-247
OR50010300-08	103.00	5.00	NBR	SIE-422
OR50010300-64	103.00	5.00	FKM	SIE-1147
OR53010300-08	103.00	5.30	NBR	SIE-645
OR55010300-67	103.00	5.50	FKM	SIE-1094
OR55010300-08	103.00	5.50	NBR	SIE-1277
OR58010300-11	103.00	5.80	NBR	SIE-1020
OR60010300-08	103.00	6.00	NBR	SIE-161

Part No.	d	c/s	Material	Mould No.
OR64010300-08	103.00	6.40	NBR	SIE-109
OR69910300-08	103.00	6.99	NBR	SIE-456
OR69910300-08	103.00	6.99	NBR	SIE-868
OR69910300-64	103.00	7.00	FKM	SIE-599
OR75010300-08	103.00	7.50	NBR	SIE-1087
OR10010300-08	103.00	10.00	NBR	SIE-331
OR12010300-08	103.00	12.00	NBR	SIF-508
OR195010300-08	103.00	19.50	NBR	SIF-941
OR15010315-20	103.15	1.50	CR	SIE-1359
OR174610318-S4	103.18	17.46	HNBR	SIF-1229
OR47710319-08	103.19	4.77	NBR	SIE-1460
OR25010350-08	103.50	2.50	NBR	SIE-1037
OR27510350-08	103.50	2.75	NBR	SIE-1194
OR30010350-66	103.50	3.00	FKM	SIE-736
OR40010350-08	103.50	4.00	NBR	SIE-1396
OR42010350-08	103.50	4.20	NBR	SIE-1447
OR51510350-64	103.50	5.15	FKM	SIE-400
OR30010360-08	103.60	3.00	NBR	SIE-388
OR57010360-08	103.60	5.70	NBR	SIE-284
OR37510375-08	103.75	3.75	NBR	SIE-1453
OR31010380-64	103.80	3.10	FKM	SIE-663
OR53310380-64	103.80	5.33	FKM	SIE-818
OR56010380-L5	103.80	5.60	PU	POC-166
OR17810400-08	104.00	1.78	NBR	SIE-140
OR17810400-O4	104.00	1.78	FKM	SIE-994
OR20010400-D5	104.00	2.00	HNBR	SIE-689
OR20010400-64	104.00	2.00	FKM	SIE-874
OR20001040-08	104.00	2.00	NBR	SIE-884
OR22010400-64	104.00	2.20	FKM	SIE-1288
OR25010400-64	104.00	2.50	FKM	SIE-497
OR25010400-08	104.00	2.50	NBR	SIE-156
OR26510400-08	104.00	2.65	NBR	SIE-1010
OR27010400-08	104.00	2.70	NBR	SIE-633
OR30010400-08	104.00	3.00	NBR	SIE-654
OR30010400-64	104.00	3.00	FKM	SIE-597
OR30010400-43	104.00	3.00	VMQ	SIE-993
OR30010400-20	104.00	3.00	CR	SIE-1379
OR30010400-89	104.00	3.00	PU	POC-191
OR350010400-64	104.00	3.50	FKM	SIE-973
OR40010400-08	104.00	4.00	NBR	SIE-173
OR50010400-08	104.00	5.00	NBR	SIE-125
OR50010400-43	104.00	5.00	VMQ	SIE-709
OR50010400-T5	104.00	5.00	EPDM	SIE-1144
OR54010400-11	104.00	5.40	NBR	SIE-706
OR55010400-08	104.00	5.50	NBR	SIE-307
OR57010400-67	104.00	5.70	FKM	SIE-1137
OR60010400-63	104.00	6.00	FKM	SIE-496
OR60010400-08	104.00	6.00	NBR	SIE-475
OR90010400-11	104.00	9.00	NBR	SIE-1225
OR12010400-32	104.00	12.00	EPDM	SIF-450
OR57010410-32	104.10	5.70	EPDM	SIE-1054
OR53310414-64	104.14	5.33	FKM	SIE-464
OR53310414-08	104.14	5.33	NBR	SIE-210
OR53310414-Q2	104.14	5.33	PU	POC-162
OR69810414-D6	104.14	6.98	HNBR	SIE-644
OR88910414-S4	104.14	8.89	HNBR	SIE-656
OR57010420-08	104.20	5.70	NBR	SIE-318
OR27810472-R1	104.22	1.78	FVMQ	SIE-701
OR57010430-08	104.30	5.70	NBR	SIE-1318
OR57010430-R1	104.30	5.70	FVMQ	SIE-1445
OR57010430-32	104.30	5.70	EPDM	SIE-1473
OR60010430-32	104.30	6.00	EPDM	SIE-1256
OR35310437-08	104.37	3.53	NBR	SIE-315
OR35310437-66	104.37	3.53	FKM	SIE-448
OR35310437-11	104.37	3.53	NBR	SIE-733
OR35310437-08	104.37	3.53	NBR	SIE-154
OR35310437-08	104.37	3.53	NBR	SIE-646
OR35310437-64	104.37	3.53	FKM	SIE-541
OR17810440-64	104.40	1.78	FKM	SIE-1035
OR31010440-59	104.40	3.10	PU	POC-186
OR32010440-08	104.40	3.20	NBR	SIE-235
OR17810450-08	104.50	1.78	NBR	SIE-916
OR27510450-08	104.50	2.75	NBR	SIE-1307

Bold sizes are readily available in stock.
Other material are available on request.

Part No.	d	c/s	Material	Mould No.
OR30010450-08	104.50	3.00	NBR	SIE-913
OR30010450-D5	104.50	3.00	HNBR	SIE-1019
OR30010450-R1	104.50	3.00	FVMQ	SIE-1200
OR35010450-S8	104.50	3.50	NBR	SIE-899
OR46010450-08	104.50	4.60	NBR	SIE-1026
OR28610454-64	104.54	2.86	FKM	SIE-800
OR17810472-R1	104.72	1.78	FVMQ	SIE-1298
OR47610477-08	104.77	4.76	NBR	SIE-1132
OR92610477-30	104.77	9.26	EPDM	SIE-1148
OR190510477-08	104.77	19.05	NBR	SIF-408
OR57010480-08	104.80	5.70	NBR	SIE-225
OR30210493-08	104.93	3.02	NBR	SIE-855
OR30210493-C1	104.93	3.02	XNBR	SIE-1068
OR35010498-08	104.98	3.50	NBR	SIE-748
OR10010500-64	105.00	1.00	FKM	SIE-1002
OR15010500-08	105.00	1.50	NBR	SIE-1274
OR20010500-08	105.00	2.00	NBR	SIE-267
OR23010500-65	105.00	2.30	FKM	SIE-1272
OR25010500-08	105.00	2.50	NBR	SIE-1028
OR26010500-08	105.00	2.60	NBR	SIE-535
OR26010500-08	105.00	2.60	NBR	SIE-554
OR27010500-08	105.00	2.70	NBR	SIE-1126
OR30010500-08	105.00	3.00	NBR	SIE-280
OR30010500-08	105.00	3.00	NBR	SIE-522
OR30010500-64	105.00	3.00	FKM	SIE-584
OR30010500-59	105.00	3.00	PU	POC-192
OR30010500-R1	105.00	3.00	FVMQ	SIE-1421
OR32010500-08	105.00	3.20	NBR	SIE-713
OR35010500-10	105.00	3.50	NBR	SIE-696
OR35510500-67	105.00	3.55	FKM	SIE-1115
OR40010500-08	105.00	4.00	NBR	SIE-343
OR40010500-65	105.00	4.00	FKM	SIE-1324
OR50010500-08	105.00	5.00	NBR	SIE-146
OR50010500-64	105.00	5.00	FKM	SIE-694
OR50010500-T5	105.00	5.00	EPDM	SIE-677
OR50010500-32	105.00	5.00	EPDM	SIE-1478
OR53010500-08	105.00	5.30	NBR	SIE-217
OR53310500-43	105.00	5.33	VMQ	SIE-946
OR55010500-08	105.00	5.50	NBR	SIE-815
OR55010500-64	105.00	5.50	NBR	SIE-1077
OR57010500-D5	105.00	5.70	HNBR	SIE-755
OR60010500-08	105.00	6.00	NBR	SIE-223
OR60010500-08	105.00	6.00	NBR	SIE-804
OR60010500-64	105.00	6.00	FKM	SIE-1080
OR70010500-08	105.00	7.00	NBR	SIE-245
OR37510875-08	105.00	12.00	NBR	SIE-1456
OR75010500-08	105.00	7.50	NBR	SIE-465
OR75010500-43	105.00	7.50	VMQ	SIE-1384
OR80010500-08	105.00	8.00	NBR	SIE-640
OR85010500-P8	105.00	8.50	HNBR	SIE-854
OR95010500-08	105.00	9.50	NBR	SIE-299
OR10010500-32	105.00	10.00	EPDM	SIE-322
OR10010500-08	105.00	10.00	NBR	SIE-1451
OR25010510-64	105.10	2.50	FKM	SIE-1230
OR24010530-08	105.30	2.40	NBR	SIE-831
OR33010540-66	105.40	3.30	FKM	SIE-500
OR250010550-D5	105.50	2.50	HNBR	SIE-617
OR26010550-64	105.50	2.60	FKM	SIE-471
OR11510550-08	105.50	11.50	NBR	SIF-604
OR23010560-08	105.60	2.30	NBR	SIE-336
OR12510560-64	105.60	12.50	FKM	SIF-1012
OR37710577-08	105.77	3.77	NBR	SIE-1173
OR37710577-64	105.77	3.77	FKM	SIE-1198
OR17810580-BN	105.80	1.78	FKM	SIE-1125
OR12710580-64	105.80	12.70	FKM	SIF-771
OR15010600-08	106.00	1.50	NBR	SIE-1273
OR16210600-08	106.00	1.62	NBR	SIE-1390
OR17810600-08	106.00	1.78	NBR	SIE-1102
OR20010600-08	106.00	2.00	NBR	SIE-996
OR24010600-08	106.00	2.40	NBR	SIE-294
OR25010600-64	106.00	2.50	FKM	SIE-719
OR25010600-28	106.00	2.50	EPDM	SIE-731
OR25010600-R1	106.00	2.50	FVMQ	SIE-1099

Part No.	d	c/s	Material	Mould No.
OR26510600-08	106.00	2.65	NBR	SIE-537
OR30010600-08	106.00	3.00	NBR	SIE-783
OR30010600-64	106.00	3.00	FKM	SIE-386
OR30010600-20	106.00	3.00	CR	SIE-1297
OR35010600-08	106.00	3.50	NBR	SIE-767
OR35010600-64	106.00	3.50	FKM	SIE-544
OR40010600-20	106.00	4.00	NBR	SIE-782
OR43010600-43	106.00	4.30	VMQ	SIE-1034
OR45010600-08	106.00	4.50	NBR	SIE-288
OR45010600-43	106.00	4.50	VMQ	SIE-1011
OR50010600-F4	106.00	5.00	CR	SIE-492
OR50010600-11	106.00	5.00	NBR	SIE-120
OR50010600-64	106.00	5.00	FKM	SIE-1401
OR53010600-08	106.00	5.30	NBR	SIE-777
OR53010600-08	106.00	5.30	NBR	SIE-260
OR55010600-08	106.00	5.50	NBR	SIE-1312
OR57010600-08	106.00	5.70	NBR	SIE-302
OR60010600-08	106.00	6.00	NBR	SIE-111
OR60010600-08	106.00	6.00	NBR	SIE-151
OR65010600-10	106.00	6.50	NBR	SIE-925
OR70010600-08	106.00	7.00	NBR	SIE-966
OR70010600-43	106.00	7.00	VMQ	SIE-1033
OR70010600-S8	106.00	7.00	NBR	SIE-1415
OR10010600-08	106.00	10.00	NBR	SIF-774
OR13010600-64	106.00	13.00	FKM	SIF-885
OR23010600-08	106.00	23.00	NBR	SIF-464
OR35310630-06	106.30	3.53	NBR	SIE-903
OR47710636-08	106.36	4.77	NBR	SIE-1463
OR28010640-08	106.40	2.80	NBR	SIE-132
OR65010640-06	106.40	6.50	NBR	SIE-926
OR30010650-09	106.50	3.00	NBR	SIE-595
OR30010650-66	106.50	3.00	FKM	SIE-596
OR30010650-65	106.50	3.00	FKM	SIE-1284
OR31010650-33	106.50	3.10	EPDM	SIE-1372
OR31010650-65	106.50	3.10	FKM	SIE-1411
OR35310650-64	106.50	3.53	FKM	SIE-1224
OR55010650-67	106.50	5.50	FKM	SIE-1095
OR97010650-08	106.50	9.70	NBR	SIF-370
OR45310660-D5	106.60	4.53	HNBR	SIE-1015
OR45310660-08	106.60	4.53	NBR	SIE-1170
OR64010660-08	106.60	6.40	NBR	SIE-482
OR16010680-08	106.80	1.60	NBR	SIE-1255
OR26210693-64	106.93	2.62	FKM	SIE-1135
OR15010700-08	107.00	1.50	NBR	SIE-551
OR20010700-08	107.00	2.00	NBR	SIE-445
OR25010700-D5	107.00	2.50	HNBR	SIE-971
OR25010700-08	107.00	2.50	NBR	SIE-638
OR26210700-08	107.00	2.62	NBR	SIE-825
OR27510700-08	107.00	2.75	NBR	SIE-621
OR30010700-08	107.00	3.00	NBR	SIE-453
OR30010700-20	107.00	3.00	CR	SIE-508
OR35010700-08	107.00	3.50	NBR	SIE-792
OR35010700-64	107.00	3.50	FKM	SIE-717
OR36010700-08	107.00	3.60	NBR	SIE-279
OR40010700-08	107.00	4.00	NBR	SIE-124
OR40010700-66	107.00	4.00	FKM	SIE-679
OR41010700-65	107.00	4.10	FKM	SIE-1474
OR45010700-08	107.00	4.50	NBR	SIE-1089
OR50010700-08	107.00	5.00	NBR	SIE-411
OR50010700-43	107.00	5.00	VMQ	SIE-1032
OR53510700-08	107.00	5.35	NBR	SIE-126
OR55010700-64	107.00	5.50	FKM	SIE-1333
OR57010700-64	107.00	5.70	FKM	SIE-886
OR60010700-08	107.00	6.00	NBR	SIE-958
OR60010700-64	107.00	6.00	FKM	SIE-995
OR69410700-08	107.00	6.94	NBR	SIE-1155
OR69910700-08	107.00	6.99	NBR	SIE-674
OR76201070-08	107.00	7.62	NBR	SIE-1265
OR93010700-06	107.00	9.30	NBR	SIF-550
OR10010700-08	107.00	10.00	NBR	SIF-751
OR22610717-64	107.17	2.26	FKM	SIE-910
OR53310730-64	107.30	5.33	FKM	SIE-451
OR53310732-59	107.32	5.33	PU	POC-112

Bold sizes are readily available in stock.
 Other material are available on request.

Part No.	d	c/s	Material	Mould No.
OR53310732-08	107.32	5.33	NBR	SIE-457
OR53310732-64	107.32	5.33	FKM	SIE-607
OR53310732-S5	107.32	5.33	FKM	SIE-1029
OR35010750-08	107.50	3.50	NBR	SIE-197
OR35310754-64	107.54	3.53	FKM	SIE-914
OR35310754-08	107.54	3.53	NBR	SIE-381
OR35310754-62	107.54	3.53	FKM	SIE-1039
OR35310754-O4	107.54	3.53	FKM	SIE-1018
OR35310754-T3	107.54	3.53	EPDM	SIE-1003
OR35310754-D6	107.54	3.53	HNBR	SIE-1427
OR78010760-08	107.60	7.80	NBR	SIE-714
OR26210762-08	107.62	2.62	NBR	SIE-359
OR26210763-64	107.63	2.62	FKM	SIE-1352
OR17810767-08	107.67	1.78	NBR	SIE-370
OR17810767-S4	107.67	1.78	HNBR	SIE-1385
OR18010767-64	107.67	1.80	FKM	SIE-872
OR35010778-08	107.78	3.50	NBR	SIE-749
OR63510780-10	107.80	6.35	NBR	SIE-938
OR35010790-08	107.90	3.50	NBR	SIE-920
OR35010790-08	107.90	3.50	NBR	SIE-1295
OR47610795-64	107.95	4.76	FKM	SIE-772
OR47610795-08	107.95	4.76	NBR	SIE-354
OR12710795-10	107.95	12.70	NBR	SIF-1069
OR16010800-08	108.00	1.60	NBR	SIE-191
OR20010800-08	108.00	2.00	NBR	SIE-802
OR20010800-64	108.00	2.00	FKM	SIE-1124
OR25010800-08	108.00	2.50	NBR	SIE-1069
OR30010800-08	108.00	3.00	NBR	SIE-155
OR30010800-64	108.00	3.00	FKM	SIE-632
OR32010800-08	108.00	3.20	NBR	SIE-183
OR35010800-08	108.00	3.50	NBR	SIE-178
OR35010800-67	108.00	3.50	FKM	SIE-1098
OR36010800-08	108.00	3.60	NBR	SIE-808
OR37010800-64	108.00	3.70	FKM	SIE-1248
OR45010800-64	108.00	4.50	FKM	SIE-690
OR50010800-64	108.00	5.00	FKM	SIE-771
OR50010800-08	108.00	5.00	NBR	SIE-283
OR50010800-43	108.00	5.00	VMQ	SIE-1299
OR55010800-08	108.00	5.50	NBR	SIE-213
OR55010800-08	108.00	5.50	NBR	SIE-363
OR55010800-67	108.00	5.50	FKM	SIE-1076
OR58010800-64	108.00	5.80	FKM	SIE-1109
OR58010800-08	108.00	5.80	NBR	SIE-1196
OR60010800-64	108.00	6.00	FKM	SIE-501
OR60010800-08	108.00	6.00	NBR	SIE-289
OR60010800-L5	108.00	6.00	PU	POC-165
OR62010800-43	108.00	6.20	VMQ	SIE-1262
OR65010800-08	108.00	6.50	NBR	SIE-1143
OR67010800-41	108.00	6.70	VMQ	SIE-806
OR70010800-08	108.00	7.00	NBR	SIE-141
OR70010800-64	108.00	7.00	FKM	SIE-1290
OR14010800-08	108.00	14.00	NBR	SIF-884
OR15010800-06	108.00	15.00	NBR	SIF-453
OR30210811-08	108.11	3.02	NBR	SIE-1177
OR60310827-08	108.27	6.03	NBR	SIE-1183
OR24010830-08	108.30	2.40	NBR	SIE-275
OR34010839-08	108.39	3.40	NBR	SIE-837
OR35010846-08	108.46	3.50	NBR	SIE-847
OR30010850-41	108.50	3.00	VMQ	SIE-626
OR52010850-08	108.50	5.20	NBR	SIE-172
OR55010850-08	108.50	5.50	NBR	SIE-286
OR92010850-08	108.50	9.20	NBR	SIF-1080
OR57010860-64	108.60	5.70	FKM	SIE-742
OR86010870-08	108.70	8.60	NBR	SIF-150
OR86010870-08	108.70	8.60	NBR	SIF-152
OR95010875-08	108.75	9.50	NBR	SIF-293
OR15010900-08	109.00	1.50	NBR	SIE-888
OR18010900-64	109.00	1.80	FKM	SIE-540
OR20010900-08	109.00	2.00	NBR	SIE-563
OR25010900-67	109.00	2.50	FKM	SIE-1074
OR25010900-32	109.00	2.50	EPDM	SIE-1113
OR30010900-04	109.00	3.00	NBR	SIE-643
OR30010900-08	109.00	3.00	NBR	SIE-879

Part No.	d	c/s	Material	Mould No.
OR30010900-T7	109.00	3.00	FKM	SIE-1072
OR30010900-R1	109.00	3.00	FVMQ	SIE-1422
OR35010900-08	109.00	3.50	NBR	SIE-833
OR35010900-64	109.00	3.50	FKM	SIE-1081
OR35510900-08	109.00	3.55	NBR	SIE-768
OR40010900-43	109.00	4.00	VMQ	SIE-479
OR40010900-08	109.00	4.00	NBR	SIE-169
OR45010900-64	109.00	4.50	FKM	SIE-1279
OR48010900-64	109.00	4.80	FKM	SIE-1280
OR50010900-08	109.00	5.00	NBR	SIE-335
OR53010900-08	109.00	5.30	NBR	SIE-773
OR53001090-D5	109.00	5.30	HNBR	SIE-1261
OR55010900-L5	109.00	5.50	PU	POC-159
OR55010900-32	109.00	5.50	EPDM	SIE-1044
OR57010900-64	109.00	5.70	FKM	SIE-1395
OR69910900-67	109.00	6.99	FKM	SIE-1149
OR84010900-64	109.00	8.40	FKM	SIF-1224
OR57010920-11	109.20	5.70	NBR	SIE-238
OR57010920-08	109.20	5.70	NBR	SIE-230
OR57010930-08	109.30	5.70	NBR	SIE-1319
OR60010930-64	109.30	6.00	FKM	SIE-665
OR31010940-11	109.40	3.10	NBR	SIE-752
OR31010940-59	109.40	3.10	PU	POC-188
OR16310941-08	109.41	1.63	NBR	SIE-1458
OR30010950-08	109.50	3.00	NBR	SIE-228
OR30010950-R1	109.50	3.00	FVMQ	SIE-1195
OR30010950-O3	109.50	3.00	NBR	SIE-1282
OR45010600-10	109.50	4.50	NBR	SIE-113
OR54010950-08	109.50	5.40	NBR	SIE-158
OR26210953-64	109.53	2.62	FKM	SIE-1263
OR25410955-18	109.55	25.40	CR	SIG-832
OR26010960-10	109.60	2.60	NBR	SIE-1360
OR35510960-08	109.60	3.55	NBR	SIE-545
OR57010960-64	109.60	5.70	FKM	SIE-526
OR57010960-08	109.60	5.70	NBR	SIE-1215
OR27010962-08	109.62	2.70	NBR	SIE-1449
OR33010970-09	109.70	3.30	NBR	SIE-1383
OR40010987-67	109.87	4.00	FKM	SIE-1320
OR58510987-64	109.87	5.85	FKM	SIE-446
OR10011000-08	110.00	1.00	NBR	SIE-1050
OR15011000-08	110.00	1.50	NBR	SIE-380
OR15011000-64	110.00	1.50	FKM	SIE-1093
OR20011000-08	110.00	2.00	NBR	SIE-257
OR20011000-66	110.00	2.00	FKM	SIE-1326
OR23811000-08	110.00	2.38	NBR	SIE-377
OR25011000-08	110.00	2.50	NBR	SIE-268
OR26211000-64	110.00	2.62	FKM	SIE-469
OR26211000-08	110.00	2.62	NBR	SIE-1472
OR27811000-20	110.00	2.78	CR	SIE-1217
OR30011000-39	110.00	3.00	VMQ	SIE-967
OR30011000-32	110.00	3.00	EPDM	SIE-272
OR30011000-08	110.00	3.00	NBR	SIE-222
OR30011000-64	110.00	3.00	FKM	SIE-561
OR32011000-08	110.00	3.20	NBR	SIE-346
OR34011000-08	110.00	3.40	NBR	SIE-1300
OR35011000-08	110.00	3.50	NBR	SIE-364
OR35011000-64	110.00	3.50	FKM	SIE-1022
OR35311000-66	110.00	3.53	FKM	SIE-747
OR37011000-15	110.00	3.70	PU	POC-187
OR37011000-08	110.00	3.70	NBR	SIE-1321
OR40011000-08	110.00	4.00	NBR	SIE-115
OR40011000-64	110.00	4.00	FKM	SIE-681
OR40011000-L5	110.00	4.00	PU	POC-179
OR42011000-97	110.00	4.20	VMQ	SIE-921
OR42011000-10	110.00	4.20	NBR	SIE-1127
OR45011000-08	110.00	4.50	NBR	SIE-357
OR45011000-64	110.00	4.50	FKM	SIE-911
OR46011000-43	110.00	4.60	VMQ	SIE-704
OR50011000-L5	110.00	5.00	PU	POC-130
OR50011000-08	110.00	5.00	NBR	SIE-170
OR50011000-64	110.00	5.00	FKM	SIE-481
OR50011000-64	110.00	5.00	FKM	SIE-680
OR50011000-64	110.00	5.00	FKM	SIE-523

Bold sizes are readily available in stock.
Other material are available on request.

Part No.	d	c/s	Material	Mould No.
OR50011000-T5	110.00	5.00	EPDM	SIE-1418
OR53311000-66	110.00	5.33	FKM	SIE-1303
OR55011000-08	110.00	5.50	NBR	SIE-246
OR55011000-64	110.00	5.50	FKM	SIE-866
OR58011000-66	110.00	5.80	FKM	SIE-1434
OR60011000-65	110.00	6.00	FKM	SIE-982
OR60011000-08	110.00	6.00	NBR	SIE-216
OR63011000-08	110.00	6.30	NBR	SIE-919
OR65011000-08	110.00	6.50	NBR	SIE-259
OR65001100-08	110.00	6.50	NBR	SIE-1209
OR70011000-08	110.00	7.00	NBR	SIE-327
OR70011000-26	110.00	7.00	EPDM	SIE-1014
OR75011000-08	110.00	7.50	NBR	SIE-221
OR75011000-43	110.00	7.50	VMQ	SIE-991
OR80011000-64	110.00	8.00	FKM	SIF-736
OR80011000-08	110.00	8.00	NBR	SIF-400
OR85011000-06	110.00	8.50	NBR	SIF-682
OR85011000-L5	110.00	8.50	PU	POC-175
OR85011000-D5	110.00	8.50	HNBR	SIF-939
OR10011000-43	110.00	10.00	VMQ	SIF-1031
OR10011000-66	110.00	10.00	FKM	SIF-1067
OR11011000-64	110.00	11.00	FKM	SIF-111
OR11011000-08	110.00	11.00	NBR	SIF-901
OR16011000-08	110.00	16.00	NBR	SIF-1205
OR25411030-64	110.30	2.54	FKM	SIE-890
OR35011030-08	110.30	3.50	NBR	SIE-203
OR58011039-64	110.39	5.80	FKM	SIE-664
OR20011045-67	110.45	2.00	FKM	SIE-548
OR53311049-T5	110.49	5.33	EPDM	SIE-788
OR53311049-08	110.49	5.33	NBR	SIE-166
OR53311049-23	110.49	5.33	CR	SIE-520
OR53311049-64	110.49	5.33	FKM	SIE-876
OR53311049-O3	110.49	5.33	NBR	SIE-1317
OR69911049-11	110.49	6.99	NBR	SIE-1331
OR70011049-08	110.49	7.00	NBR	SIE-980
OR53411050-11	110.50	5.34	NBR	SIE-1239
OR85011050-06	110.50	8.50	NBR	SIF-1236
OR22011060-D5	110.60	2.20	HNBR	SIE-1153
OR37011060-64	110.60	3.70	FKM	SIE-1250
OR52011060-09	110.60	5.20	NBR	SIE-988
OR52011060-65	110.60	5.20	FKM	SIE-944
OR53011060-65	110.60	5.30	FKM	SIE-1361
OR53011060-09	110.60	5.30	NBR	SIE-1419
OR52812117-08	110.61	5.28	NBR	SIE-1182
OR35311070-64	110.70	3.53	FKM	SIE-801
OR47611071-67	110.71	4.76	FKM	SIE-553
OR47611071-43	110.71	4.76	VMQ	SIE-906
OR35311072-08	110.72	3.53	NBR	SIE-186
OR35311072-66	110.72	3.53	FKM	SIE-389
OR35311072-64	110.72	3.53	FKM	SIE-466
OR35311072-08	110.72	3.53	NBR	SIE-391
OR35311072-10	110.72	3.53	NBR	SIE-722
OR35311072-U8	110.72	3.53	FKM	SIE-745
OR35311072-43	110.72	3.53	VMQ	SIE-583
OR17811074-08	110.74	1.78	NBR	SIE-231
OR17811074-T9	110.74	1.78	FKM	SIE-1136
OR20011100-08	111.00	2.00	NBR	SIE-1111
OR29011100-01	111.00	2.95	NBR	SIE-758
OR30011100-08	111.00	3.00	NBR	SIE-1398
OR32011100-01	111.00	3.20	NBR	SIE-753
OR32511100-01	111.00	3.25	NBR	SIE-757
OR35011100-64	111.00	3.50	FKM	SIE-1400
OR45011100-33	111.00	4.50	EPDM	SIE-1271
OR48011100-08	111.00	4.80	NBR	SIE-142
OR50011100-08	111.00	5.00	NBR	SIE-179
OR55011100-32	111.00	5.50	EPDM	SIE-710
OR70011100-64	111.00	7.00	FKM	SIE-1084
OR10011100-08	111.00	10.00	NBR	SIF-1008
OR12011100-08	111.00	12.00	NBR	SIF-1005
OR35011110-08	111.10	3.50	NBR	SIE-262
OR31711112-08	111.12	3.17	NBR	SIE-615
OR47611112-Q2	111.12	4.76	PU	POC-131
OR47611112-08	111.12	4.76	NBR	SIE-616

Part No.	d	c/s	Material	Mould No.
OR95211112-08	111.12	9.52	NBR	SIF-932
OR35011120-D6	111.20	3.50	HNBR	SIE-606
OR39011120-08	111.20	3.90	NBR	SIE-832
OR30511125-D5	111.25	3.05	HNBR	SIE-1468
OR30211128-08	111.28	3.02	NBR	SIE-1040
OR20011140-08	111.40	2.00	NBR	SIE-1371
OR53011140-64	111.40	5.30	FKM	SIE-774
OR53011140-08	111.40	5.30	NBR	SIE-139
OR25011150-64	111.50	2.50	FKM	SIE-1236
OR35011150-08	111.50	3.50	NBR	SIE-1243
OR46011150-64	111.50	4.60	FKM	SIE-1106
OR50011150-08	111.50	5.00	NBR	SIE-1308
OR57011160-08	111.60	5.70	NBR	SIE-468
OR35011180-D6	111.80	3.50	HNBR	SIE-605
OR57011190-64	111.90	5.70	FKM	SIE-1276
OR15011200-67	112.00	1.50	FKM	SIE-474
OR18011200-08	112.00	1.80	NBR	SIE-894
OR20011200-08	112.00	2.00	NBR	SIE-651
OR23011200-08	112.00	2.30	NBR	SIE-1107
OR25011200-64	112.00	2.50	FKM	SIE-1293
OR26511200-08	112.00	2.65	NBR	SIE-739
OR30011200-08	112.00	3.00	NBR	SIE-303
OR30011200-64	112.00	3.00	FKM	SIE-635
OR30011200-R1	112.00	3.00	FVMQ	SIE-1420
OR31011200-08	112.00	3.10	NBR	SIE-726
OR35011200-BU	112.00	3.50	NBR	SIE-1063
OR35311200-08	112.00	3.53	NBR	SIE-923
OR35311200-67	112.00	3.53	FKM	SIE-1166
OR35311200-11	112.00	3.53	NBR	SIE-1292
OR38011200-17	112.00	3.80	CR	SIE-550
OR40011200-08	112.00	4.00	NBR	SIE-138
OR40011200-08	112.00	4.00	NBR	SIE-110
OR40011200-64	112.00	4.00	FKM	SIE-682
OR47211200-64	112.00	4.72	FKM	SIE-515
OR50011200-08	112.00	5.00	NBR	SIE-187
OR52011200-32	112.00	5.20	EPDM	SIE-1114
OR60011200-64	112.00	6.00	FKM	SIE-776
OR60011200-08	112.00	6.00	NBR	SIE-460
OR64011200-08	112.00	6.40	NBR	SIE-207
OR69911200-08	112.00	6.99	NBR	SIF-183
OR70011200-08	112.00	7.00	NBR	SIF-850
OR70011200-D5	112.00	7.00	HNBR	SIF-1199
OR75011200-08	112.00	7.50	NBR	SIF-387
OR80011200-11	112.00	8.00	NBR	SIF-1256
OR90011200-08	112.00	9.00	NBR	SIF-1074
OR19011200-43	112.00	19.00	VMQ	SIF-974
OR37711212-08	112.12	3.77	NBR	SIE-1178
OR15011230-08	112.30	1.50	NBR	SIE-858
OR25011230-08	112.30	2.50	NBR	SIE-287
OR68011240-64	112.40	6.80	FKM	SIF-996
OR07511250-08	112.50	0.75	NBR	SIE-311
OR33011250-64	112.50	3.30	FKM	SIE-1353
OR40011250-18	112.50	4.00	CR	SIE-1266
OR66011250-08	112.50	6.60	NBR	SIF-645
OR53311254-66	112.54	5.33	FKM	SIE-1048
OR53311260-08	112.60	5.33	NBR	SIE-786
OR57011260-08	112.60	5.70	NBR	SIE-1358
OR15011270-T5	112.70	1.50	EPDM	SIE-1442
OR16011270-08	112.70	1.60	NBR	SIE-720
OR17811300-08	113.00	1.78	NBR	SIE-889
OR25011300-08	113.00	2.50	NBR	SIE-789
OR25511300-64	113.00	2.55	FKM	SIE-1432
OR30011300-08	113.00	3.00	NBR	SIE-1117
OR30011300-20	113.00	3.00	CR	SIE-1235
OR30011300-D6	113.00	3.00	HNBR	SIE-1392
OR35011300-08	113.00	3.50	NBR	SIE-167
OR35011300-64	113.00	3.50	FKM	SIE-819
OR37011300-67	113.00	3.70	FKM	SIE-473
OR40011300-64	113.00	4.00	FKM	SIE-542
OR40011300-08	113.00	4.00	NBR	SIE-589
OR40011300-T5	113.00	4.00	EPDM	SIE-1197
OR42011300-08	113.00	4.20	NBR	SIE-593
OR45011300-08	113.00	4.50	NBR	SIE-600

Bold sizes are readily available in stock.
 Other material are available on request.

Part No.	d	c/s	Material	Mould No.
OR50001130-64	113.00	5.00	FKM	SIE-975
OR50011300-64	113.00	5.00	FKM	SIE-760
OR50011300-08	113.00	5.00	NBR	SIE-136
OR53011300-08	113.00	5.30	NBR	SIE-1268
OR55011300-08	113.00	5.50	NBR	SIE-269
OR55011300-64	113.00	5.50	FKM	SIE-1278
OR58011300-67	113.00	5.80	FKM	SIE-409
OR60011300-08	113.00	6.00	PTFE	SIE-461
OR80011300-06	113.00	8.00	NBR	SIF-796
OR90011300-34	113.00	9.00	EPDM	SIF-623
OR10011300-35	113.00	10.00	EPDM	SIF-602
OR20011310-10	113.10	1.00	NBR	SIE-836
OR20011310-08	113.10	2.00	NBR	SIE-614
OR35011322-08	113.22	3.50	NBR	SIE-1294
OR43011340-08	113.40	4.30	NBR	SIE-765
OR43011340-64	113.40	4.30	FKM	SIE-775
OR18011350-43	113.50	1.80	VMQ	SIE-1234
OR25011350-D5	113.50	2.50	HNBR	SIE-608
OR29011350-64	113.50	2.90	FKM	SIE-1240
OR30011350-O4	113.50	3.00	FKM	SIE-1066
OR33011350-64	113.50	3.30	FKM	SIE-581
OR35011350-08	113.50	3.50	NBR	SIE-234
OR40011350-08	113.50	4.00	NBR	SIE-310
OR55011350-08	113.50	5.50	NBR	SIE-147
OR31011360-64	113.60	3.10	FKM	SIE-519
OR57011360-64	113.60	5.70	FKM	SIE-852
OR27211362-64	113.62	2.27	FKM	SIE-546
OR53311367-08	113.67	5.33	NBR	SIE-266
OR53311367-64	113.67	5.33	FKM	SIE-449
OR53311367-08	113.67	5.33	NBR	SIE-821
OR53311367-D6	113.67	5.33	HNBR	SIE-1425
OR69911367-08	113.67	6.99	NBR	SIF-141
OR69911367-64	113.67	6.99	FKM	SIF-545
OR86011370-08	113.70	8.60	NBR	SIF-388
OR37511375-08	113.75	3.75	NBR	SIE-1455
OR40011380-08	113.80	4.00	NBR	SIE-881
OR35311389-08	113.89	3.53	NBR	SIE-176
OR35311389-64	113.89	3.53	FKM	SIE-576
OR53311389-08	113.89	5.33	NBR	SIE-323
OR55311389-64	113.89	5.53	FKM	SIE-598
OR35311389-D5	113.89	3.53	HNBR	SIE-724
OR35611394-64	113.94	3.56	FKM	SIE-1342
OR26211397-64	113.97	2.62	FKM	SIE-930
OR26211397-O4	113.97	2.62	FKM	SIE-741
OR26211397-08	113.97	2.62	NBR	SIE-373
OR26211397-23	113.97	2.62	CR	SIE-1363
OR15011400-08	114.00	1.50	NBR	SIE-276
OR17811400-66	114.00	1.78	FKM	SIE-915
OR18011400-06	114.00	1.80	NBR	SIE-844
OR20011400-08	114.00	2.00	NBR	SIE-486
OR20011400-64	114.00	2.00	FKM	SIE-1305
OR23311400-64	114.00	2.33	FKM	SIE-1078
OR24011400-08	114.00	2.40	NBR	SIE-1021
OR25011400-06	114.00	2.50	NBR	SIE-756
OR28011400-06	114.00	2.80	NBR	SIE-754
OR30011400-08	114.00	3.00	NBR	SIE-237
OR30011400-34	114.00	3.00	EPDM	SIE-1306
OR30011400-D5	114.00	3.00	HNBR	SIE-1408
OR30011400-20	114.00	3.00	CR	SIE-1448
OR35011400-32	114.00	3.50	EPDM	SIE-711
OR35011400-10	114.00	3.50	NBR	SIE-148
OR36011400-64	114.00	3.60	FKM	SIE-1053
OR40011400-08	114.00	4.00	NBR	SIE-263
OR40011400-64	114.00	4.00	FKM	SIE-817
OR40011400-T5	114.00	4.00	EPDM	SIE-1221
OR50011400-O3	114.00	5.00	NBR	SIE-133
OR50011400-64	114.00	5.00	FKM	SIE-636
OR54011400-08	114.00	5.40	NBR	SIE-799
OR54011400-11	114.00	5.40	NBR	SIE-708
OR55011400-64	114.00	5.50	FKM	SIE-1304
OR60011400-64	114.00	6.00	FKM	SIF-968
OR60011400-08	114.00	6.00	NBR	SIF-1049
OR65011400-08	114.00	6.50	NBR	SIF-335

Part No.	d	c/s	Material	Mould No.
OR70011400-64	114.00	7.00	FKM	SIF-962
OR80011400-66	114.00	8.00	FKM	SIF-954
OR85011400-08	114.00	8.50	NBR	SIF-999
OR10011400-06	114.00	10.00	NBR	SIF-459
OR10011400-L5	114.00	10.00	PU	POC-180
OR17811402-08	114.02	1.78	NBR	SIE-398
OR17811402-R1	114.02	1.78	FVMQ	SIE-1457
OR34011405-64	114.05	3.40	FKM	SIE-891
OR67811410-66	114.10	6.78	FKM	SIF-1041
OR38011420-D7	114.20	3.80	HNBR	SIE-1216
OR23811430-64	114.30	2.38	FKM	SIE-477
OR31711430-08	114.30	3.17	NBR	SIE-740
OR47611430-11	114.30	4.76	NBR	SIE-421
OR47611430-64	114.30	4.76	FKM	SIE-516
OR57011430-08	114.30	5.70	FKM	SIF-300
OR57011430-R1	114.30	5.70	FVMQ	SIF-1029
OR57011430-08	114.30	5.70	NBR	SIF-1039
OR63511430-08	114.30	6.35	NBR	SIF-287
OR80011430-08	114.30	8.00	NBR	SIF-190
OR12711430-08	114.30	12.70	NBR	SIF-278
OR190511430-64	114.30	19.05	FKM	SIG-912
OR222211430-08	114.30	22.22	NBR	SIG-775
OR22811433-64	114.33	2.28	FKM	SIE-877
OR31011440-64	114.40	3.10	FKM	SIE-567
OR31011440-08	114.40	3.10	NBR	SIE-345
OR30211446-08	114.46	3.02	NBR	SIE-1180
OR30011450-08	114.50	3.00	FKM	SIE-383
OR30011450-N8	114.50	3.00	NBR	SIE-585
OR30011450-08	114.50	3.00	NBR	SIE-566
OR30011450-R1	114.50	3.00	VMQ	SIE-1131
OR60011450-08	114.50	6.00	NBR	SIF-1143
OR60311462-08	114.62	6.03	NBR	SIF-907
OR57011470-08	114.70	5.70	NBR	SIF-588
OR70011470-20	114.70	7.00	CR	SIF-816
OR48011473-64	114.73	4.80	FKM	SIE-1238
OR46011480-32	114.80	4.60	EPDM	SIE-1380
OR50011480-32	114.80	5.00	EPDM	SIE-1381
OR12711490-64	114.90	12.70	FKM	SIF-107
OR10011500-08	115.00	1.00	NBR	SIE-864
OR15011500-08	115.00	1.50	NBR	SIE-1237
OR19011500-64	115.00	1.90	FKM	SIE-1220
OR20011500-08	115.00	2.00	NBR	SIE-444
OR25011500-08	115.00	2.50	NBR	SIE-252
OR25011500-08	115.00	2.50	NBR	SIE-249
OR25011500-67	115.00	2.50	FKM	SIE-1281
OR27011500-08	115.00	2.70	NBR	SIE-392
OR30011500-08	115.00	3.00	NBR	SIE-218
OR30011500-08	115.00	3.00	NBR	SIE-514
OR30011500-64	115.00	3.00	FKM	SIE-670
OR30011500-59	115.00	3.00	PU	POC-194
OR35011500-08	115.00	3.50	NBR	SIE-655
OR35511500-64	115.00	3.55	FKM	SIE-365
OR35311500-64	115.00	3.53	FKM	SIE-454
OR35511500-64	115.00	3.55	FKM	SIE-510
OR40011500-08	115.00	4.00	NBR	SIE-333
OR40011500-08	115.00	4.00	NBR	SIE-189
OR40011500-T3	115.00	4.00	EPDM	SIE-1375
OR40011500-D5	115.00	4.00	HNBR	SIE-1377
OR45011500-08	115.00	4.50	NBR	SIE-248
OR50011500-08	115.00	5.00	NBR	SIE-112
OR50011500-64	115.00	5.00	FKM	SIE-676
OR53011500-08	115.00	5.30	NBR	SIF-649
OR53011500-64	115.00	5.30	FKM	SIF-1059
OR53311500-08	115.00	5.33	NBR	SIE-830
OR55011500-08	115.00	5.50	NBR	SIF-238
OR55011500-64	115.00	5.50	FKM	SIF-766
OR57011500-08	115.00	5.70	NBR	SIF-231
OR57011500-43	115.00	5.70	VMQ	SIF-1276
OR60011500-L5	115.00	6.00	PU	POC-156
OR60011500-08	115.00	6.00	NBR	SIF-195
OR65011500-64	115.00	6.50	FKM	SIF-1165
OR65011500-08	115.00	6.50	NBR	SIF-1273
OR67011500-08	115.00	6.70	NBR	SIF-248

Bold sizes are readily available in stock.
Other material are available on request.

Part No.	d	c/s	Material	Mould No.
OR70011500-64	115.00	7.00	FKM	SIF-110
OR70011500-08	115.00	7.00	NBR	SIF-305
OR75011500-43	115.00	7.50	VMQ	SIF-456
OR75011500-08	115.00	7.50	NBR	SIF-245
OR75011500-08	115.00	7.50	NBR	SIF-794
OR80011500-08	115.00	8.00	NBR	SIF-891
OR90011500-08	115.00	9.00	NBR	SIF-288
OR10011500-L5	115.00	10.00	PU	POC-151
OR10011500-40	115.00	10.00	VMQ	SIF-877
OR10011500-08	115.00	10.00	NBR	SIF-1247
OR38111525-D5	115.25	3.81	HNBR	SIE-1476
OR37711529-C1	115.29	3.77	XNBR	SIE-1337
OR37711530-08	115.30	3.77	NBR	SIE-1168
OR47611548-08	115.48	4.76	NBR	SIE-339
OR26211550-08	115.50	2.62	NBR	SIE-969
OR33011550-08	115.50	3.30	NBR	SIE-1159
OR95011550-06	115.50	9.50	NBR	SIF-779
OR32011560-66	115.60	3.20	FKM	SIE-688
OR32011560-66	115.60	3.20	FKM	SIE-571
OR57011560-08	115.60	5.70	NBR	SIF-1090
OR63511589-08	115.89	6.35	NBR	SIF-507
OR63511589-64	115.89	6.35	FKM	SIF-568
OR35011590-08	115.90	3.50	NBR	SIE-250
OR67011590-08	115.90	6.70	NBR	SIF-126
OR15111597-08	115.97	1.51	HNBR	SIE-902
OR15011600-08	116.00	1.50	NBR	SIE-1382
OR20011600-66	116.00	2.00	FKM	SIE-897
OR20011600-08	116.00	2.00	NBR	SIE-1211
OR30011600-20	116.00	3.00	CR	SIE-1397
OR31511600-32	116.00	3.15	EPDM	SIE-1226
OR35011600-64	116.00	3.50	FKM	SIE-763
OR37011600-08	116.00	3.70	NBR	SIE-856
OR40011600-08	116.00	4.00	NBR	SIE-326
OR45011600-08	116.00	4.50	NBR	SIE-859
OR50011600-L5	116.00	5.00	PU	POC-160
OR50011600-64	116.00	5.00	FKM	SIF-660
OR50011600-08	116.00	5.00	NBR	SIF-186
OR53011600-64	116.00	5.30	FKM	SIF-873
OR55011600-08	116.00	5.50	NBR	SIF-856
OR60011600-08	116.00	6.00	NBR	SIF-663
OR60011600-43	116.00	6.00	VMQ	SIF-1269
OR80011600-43	116.00	8.00	VMQ	SIF-1032
OR85011600-64	116.00	8.50	FKM	SIF-1241
OR12011600-64	116.00	12.00	FKM	SIF-1222
OR20011600-06	116.00	20.00	NBR	SIG-368
OR98011623-06	116.23	9.80	NBR	SIF-711
OR40011650-08	116.50	4.00	NBR	SIE-202
OR50011650-D5	116.50	5.00	HNBR	SIF-519
OR57511650-08	116.50	5.75	NBR	SIF-564
OR63011650-08	116.50	6.30	NBR	SIF-744
OR67511650-08	116.50	6.75	NBR	SIF-1001
OR52511658-64	116.58	5.25	FKM	SIF-781
OR25411659-D5	116.59	2.54	HNBR	SIE-1254
OR43211659-D5	116.59	4.32	HNBR	SIF-1070
OR30011670-08	116.70	3.00	NBR	SIE-1470
OR37011670-08	116.70	3.70	NBR	SIE-905
OR53311684-64	116.84	5.33	FKM	SIF-787
OR53311684-08	116.84	5.33	NBR	SIF-472
OR53311684-08	116.84	5.33	NBR	SIF-343
OR69911684-64	116.84	6.99	FKM	SIF-798
OR69911684-08	116.84	6.99	NBR	SIF-217
OR69911684-32	116.84	6.99	EPDM	SIF-1076
OR26111689-64	116.89	2.61	FKM	SIE-729
OR16011700-43	117.00	1.16	VMQ	SIE-1257
OR20011700-04	117.00	2.00	NBR	SIE-590
OR20011700-43	117.00	2.00	VMQ	SIE-1340
OR25011700-08	117.00	2.50	NBR	SIE-637
OR27011700-39	117.00	2.70	VMQ	SIE-1330
OR30011700-64	117.00	3.00	FKM	SIE-835
OR30011700-08	117.00	3.00	NBR	SIE-813
OR30011700-64	117.00	3.00	FKM	SIE-810
OR35011700-08	117.00	3.50	NBR	SIE-797
OR40011700-08	117.00	4.00	NBR	SIE-986

Part No.	d	c/s	Material	Mould No.
OR40011700-64	117.00	4.00	FKM	SIE-693
OR40011700-11	117.00	4.00	NBR	SIE-1325
OR42011700-08	117.00	4.20	NBR	SIF-909
OR45011700-08	117.00	4.50	NBR	SIF-253
OR45011700-64	117.00	4.50	FKM	SIF-1121
OR50011700-08	117.00	5.00	NBR	SIF-683
OR60011700-08	117.00	6.00	NBR	SIF-578
OR62011700-67	117.00	6.20	FKM	SIF-659
OR65011700-08	117.00	6.50	NBR	SIF-666
OR70011700-P8	117.00	7.00	HNBR	SIF-747
OR80011700-T2	117.00	8.00	VMQ	SIF-1240
OR80011700-32	117.00	8.00	EPDM	SIF-1167
OR94011700-06	117.00	9.40	NBR	SIF-876
OR35311706-S4	117.06	3.53	HNBR	SIE-1436
OR35311707-08	117.07	3.53	NBR	SIE-374
OR35311707-64	117.07	3.53	FKM	SIE-390
OR35311707-64	117.07	3.53	FKM	SIE-483
OR35311707-66	117.07	3.53	FKM	SIE-728
OR35311707-08	117.07	3.53	NBR	SIE-647
OR35311707-N8	117.07	3.53	NBR	SIE-575
OR35311707-02	117.07	3.53	NBR	SIE-1000
OR55311707-66	117.07	5.53	FKM	SIF-1181
OR17811710-08	117.10	1.78	NBR	SIE-441
OR17811710-64	117.10	1.78	FKM	SIE-812
OR26011730-64	117.30	2.60	FKM	SIE-470
OR37011740-32	117.40	3.70	EPDM	SIE-1403
OR41011740-64	117.40	4.10	FKM	SIF-499
OR35011744-08	117.44	3.50	NBR	SIE-865
OR31711747-08	117.47	3.17	NBR	SIE-1242
OR31711747-66	117.47	3.17	FKM	SIE-1407
OR47611747-08	117.47	4.76	NBR	SIF-749
OR95211747-11	117.47	9.52	NBR	SIF-457
OR95211747-67	117.47	9.52	FKM	SIF-458
OR63511748-08	117.48	6.35	NBR	SIF-286
OR30011750-08	117.50	3.00	NBR	SIE-1322
OR53311750-D6	117.50	5.33	HNBR	SIF-514
OR53311750-T5	117.50	5.33	EPDM	SIF-1264
OR57011760-08	117.60	5.70	NBR	SIF-303
OR30211763-08	117.63	3.02	NBR	SIE-1169
OR30011765-D5	117.65	3.00	HNBR	SIE-1145
OR30011765-D5	117.65	3.00	HNBR	SIE-1233
OR10011800-08	118.00	1.00	NBR	SIE-1181
OR10011800-64	118.00	1.00	FKM	SIE-1437
OR20011800-64	118.00	2.00	FKM	SIE-534
OR15011800-08	118.00	1.50	NBR	SIE-1133
OR18011800-08	118.00	1.80	NBR	SIE-1061
OR20011800-66	118.00	2.00	FKM	SIE-518
OR20011800-08	118.00	2.00	NBR	SIF-762
OR25011800-08	118.00	2.50	NBR	SIE-317
OR26211800-64	118.00	2.62	FKM	SIE-622
OR30011800-08	118.00	3.00	NBR	SIE-241
OR30011800-64	118.00	3.00	FKM	SIF-726
OR35011800-08	118.00	3.50	NBR	SIE-123
OR35011800-64	118.00	3.50	FKM	SIE-1348
OR35511800-64	118.00	3.55	FKM	SIF-667
OR36011800-08	118.00	3.60	NBR	SIF-1073
OR37011800-08	118.00	3.70	NBR	SIF-1268
OR40011800-08	118.00	4.00	NBR	SIF-106
OR40011800-08	118.00	4.00	NBR	SIF-153
OR45011800-08	118.00	4.50	NBR	SIF-182
OR50011800-08	118.00	5.00	NBR	SIF-276
OR50011800-64	118.00	5.00	FKM	SIF-622
OR50011800-09	118.00	5.00	NBR	SIF-1072
OR50011800-65	118.00	5.00	FKM	SIF-1095
OR51011800-65	118.00	5.10	FKM	SIF-1166
OR51011800-09	118.00	5.10	NBR	SIF-1216
OR53011800-08	118.00	5.30	NBR	SIF-354
OR55011800-67	118.00	5.50	FKM	SIF-959
OR57011800-08	118.00	5.70	NBR	SIF-755
OR58011800-08	118.00	5.80	NBR	SIF-528
OR60011800-L5	118.00	6.00	PU	POC-161
OR60011800-32	118.00	6.00	EPDM	SIF-336
OR60011800-43	118.00	6.00	VMQ	SIF-1002

Bold sizes are readily available in stock.
 Other material are available on request.

Part No.	d	c/s	Material	Mould No.
OR60011800-04	118.00	6.00	NBR	SIF-1170
OR65011800-08	118.00	6.50	NBR	SIF-398
OR70011800-64	118.00	7.00	FKM	SIF-661
OR70011800-08	118.00	7.00	NBR	SIF-170
OR80011800-08	118.00	8.00	NBR	SIF-255
OR85011800-08	118.00	8.50	NBR	SIF-277
OR18011800-08	118.00	18.00	NBR	SIG-562
OR16011850-08	118.50	1.60	NBR	SIE-715
OR30011850-64	118.50	3.00	FKM	SIE-824
OR30011850-64	118.50	3.00	FKM	SIE-826
OR35011850-08	118.50	3.50	NBR	SIF-166
OR42011850-09	118.50	4.20	NBR	SIF-584
OR55011850-08	118.50	5.50	NBR	SIF-1151
OR10011850-62	118.50	10.00	FKM	SIF-712
OR28011860-08	118.60	2.80	NBR	SIE-1357
OR32011860-08	118.60	3.20	NBR	SIE-495
OR57011860-D5	118.60	5.70	HNBR	SIF-1180
OR22811879-64	118.79	2.28	FKM	SIE-983
OR31011880-08	118.80	3.10	NBR	SIE-1185
OR34011880-64	118.80	3.40	FKM	SIE-892
OR15811887-64	118.87	1.58	FKM	SIE-402
OR53311888-08	118.88	5.33	NBR	SIF-551
OR53311895-64	118.95	5.33	FKM	SIF-575
OR10011900-08	119.00	1.00	NBR	SIE-1190
OR20011900-08	119.00	2.00	NBR	SIE-244
OR30011900-64	119.00	3.00	FKM	SIE-972
OR30011900-64	119.00	3.00	FKM	SIE-904
OR30011900-08	119.00	3.00	NBR	SIE-712
OR32011900-08	119.00	3.20	NBR	SIF-145
OR35011900-08	119.00	3.50	NBR	SIF-353
OR47511900-08	119.00	4.75	NBR	SIF-642
OR50011900-20	119.00	5.00	CR	SIF-140
OR50011900-F4	119.00	5.00	CR	SIF-436
OR55011900-08	119.00	5.50	NBR	SIF-222
OR57011900-08	119.00	5.70	NBR	SIF-213
OR60011900-32	119.00	6.00	EPDM	SIF-378
OR69911900-67	119.00	6.99	FKM	SIF-958
OR70011900-08	119.00	7.00	NBR	SIF-1261
OR75011900-08	119.00	7.50	NBR	SIF-121
OR75011900-08	119.00	7.50	NBR	SIF-133
OR80011900-32	119.00	8.00	EPDM	SIF-1168
OR90011900-34	119.00	9.00	EPDM	SIF-624
OR10011900-08	119.00	10.00	NBR	SIF-429
OR26211906-64	119.06	2.62	FKM	SIE-1264
OR35311906-64	119.06	3.53	FKM	SIF-1157
OR57011920-64	119.20	5.70	FKM	SIF-445
OR57011920-08	119.20	5.70	NBR	SIF-297
OR45311930-08	119.30	4.53	NBR	SIF-1016
OR31011940-66	119.40	3.10	FKM	SIE-342
OR31011940-11	119.40	3.10	NBR	SIF-552
OR43011940-64	119.40	4.30	FKM	SIF-665
OR30011950-66	119.50	3.00	FKM	SIF-543
OR30011950-76	119.50	3.00	AFLAS	SIF-1184
OR32011950-08	119.50	3.20	NBR	SIF-1088
OR35011950-64	119.50	3.50	FKM	SIF-763
OR70011950-08	119.50	7.00	NBR	SIF-244
OR53311955-08	119.55	5.33	NBR	SIF-331
OR57011960-64	119.60	5.70	FKM	SIF-1079
OR35011970-D5	119.70	3.50	HNBR	SIF-478
OR31011980-64	119.80	3.10	FKM	SIF-474
OR31011980-64	119.80	3.10	FKM	SIE-521
OR60011980-64	119.80	6.00	FKM	SIF-681
OR35011992-08	119.92	3.50	NBR	SIF-636
OR35011992-08	119.92	3.50	NBR	SIF-1091
OR14001200-64	120.00	1.40	FKM	SIE-984
OR15012000-06	120.00	1.50	NBR	SIE-697
OR15012000-06	120.00	1.50	NBR	SIE-517
OR15012000-64	120.00	1.50	FKM	SIF-113
OR16212000-08	120.00	1.62	NBR	SIE-1323
OR20012000-08	120.00	2.00	NBR	SIE-443
OR25012000-08	120.00	2.50	NBR	SIE-104
OR25012000-64	120.00	2.50	FKM	SIE-861
OR25012000-L5	120.00	2.50	PU	POC-177

Part No.	d	c/s	Material	Mould No.
OR30012000-64	120.00	3.00	FKM	SIF-494
OR30012000-08	120.00	3.00	NBR	SIF-495
OR30012000-08	120.00	3.00	NBR	SIF-318
OR35312000-08	120.00	3.53	NBR	SIF-346
OR31012000-65	120.00	3.10	FKM	SIF-1259
OR35012000-11	120.00	3.50	NBR	SIF-351
OR37012000-08	120.00	3.70	NBR	SIF-129
OR40012000-08	120.00	4.00	NBR	SIF-177
OR40012000-T5	120.00	4.00	EPDM	SIF-1228
OR40012000-64	120.00	4.00	FKM	SIF-678
OR42012000-41	120.00	4.20	VMQ	SIF-648
OR42012000-41	120.00	4.20	VMQ	SIF-638
OR42012000-64	120.00	4.20	FKM	SIF-919
OR45012000-04	120.00	4.50	NBR	SIF-267
OR50012000-08	120.00	5.00	NBR	SIF-207
OR50012000-08	120.00	5.00	NBR	SIF-181
OR50012000-64	120.00	5.00	FKM	SIF-161
OR50012000-D5	120.00	5.00	HNBR	SIF-518
OR55012000-64	120.00	5.50	FKM	SIF-704
OR55012000-08	120.00	5.50	NBR	SIF-740
OR58012000-64	120.00	5.80	FKM	SIF-1138
OR60012000-64	120.00	6.00	FKM	SIF-553
OR65012000-08	120.00	6.50	NBR	SIF-811
OR65012000-64	120.00	6.50	FKM	SIF-1191
OR75012000-08	120.00	7.50	NBR	SIF-123
OR70012000-67	120.00	7.80	FKM	SIF-490
OR80012000-43	120.00	8.00	VMQ	SIF-868
OR80012000-87	120.00	8.00	PU	POC-129
OR80012000-08	120.00	8.00	NBR	SIF-202
OR10012000-59	120.00	10.00	PU	POC-125
OR10012000-10	120.00	10.00	NBR	SIF-138
OR12012000-43	120.00	12.00	VMQ	SIF-867
OR12012000-08	120.00	12.00	NBR	SIF-373
OR12012000-20	120.00	12.00	CR	SIF-1144
OR12012000-08	120.00	12.00	NBR	SIF-1272
OR12512000-08	120.00	12.50	NBR	SIF-493
OR13012000-08	120.00	13.00	NBR	SIF-993
OR15012000-08	120.00	15.00	NBR	SIF-631
OR16012000-S8	120.00	16.00	NBR	SIG-666
OR53312001-67	120.01	5.33	FKM	SIF-486
OR69912001-43	120.01	6.99	VMQ	SIF-607
OR53312002-64	120.02	5.33	FKM	SIF-358
OR53312002-08	120.02	5.33	NBR	SIF-302
OR53312002-T9	120.02	5.33	FKM	SIF-895
OR53312002-T5	120.02	5.33	EPDM	SIF-1220
OR64912002-66	120.02	6.49	FKM	SIF-540
OR69912002-64	120.02	6.99	FKM	SIF-357
OR69912002-08	120.02	6.99	NBR	SIF-633
OR30112005-R1	120.05	3.01	FVMQ	SIF-1024
OR31012017-08	120.17	3.10	NBR	SIF-910
OR69912019-08	120.19	6.99	NBR	SIF-435
OR35312024-64	120.24	3.53	FKM	SIF-500
OR35312024-08	120.24	3.53	NBR	SIF-496
OR35312024-08	120.24	3.53	NBR	SIF-359
OR35312024-T5	120.24	3.53	EPDM	SIF-1233
OR26212032-08	120.32	2.62	NBR	SIF-376
OR26212032-64	120.32	2.62	FKM	SIF-449
OR26212032-D6	120.32	2.62	HNBR	SIF-484
OR17812037-64	120.37	1.78	FKM	SIE-438
OR17812037-08	120.37	1.78	NBR	SIE-371
OR58012040-20	120.40	5.80	CR	SIF-1102
OR35012050-D6	120.50	3.50	HNBR	SIF-513
OR45012050-08	120.50	4.50	NBR	SIF-171
OR63512050-66	120.50	6.35	FKM	SIF-985
OR26012060-08	120.60	2.60	NBR	SIF-555
OR25012062-08	120.62	2.50	NBR	SIF-527
OR26212062-20	120.62	2.62	CR	SIF-599
OR23812065-08	120.65	2.38	NBR	SIF-1186
OR31712065-08	120.65	3.17	NBR	SIF-696
OR31712065-64	120.65	3.18	FKM	SIF-290
OR31812065-20	120.65	3.18	CR	SIF-1178
OR47612065-64	120.65	4.76	FKM	SIF-657
OR53312065-08	120.65	5.33	FKM	SIF-732

Bold sizes are readily available in stock.
Other material are available on request.

Part No.	d	c/s	Material	Mould No.
OR53312065-64	120.65	5.33	FKM	SIF-381
OR53412065-08	120.65	5.34	NBR	SIF-728
OR53412065-08	120.65	5.34	NBR	SIF-687
OR63512065-08	120.65	6.35	NBR	SIF-326
OR63512065-08	120.65	6.35	NBR	SIF-1250
OR47012070-08	120.70	4.70	NBR	SIF-262
OR53412070-08	120.70	5.34	NBR	SIF-164
OR53412070-64	120.70	5.34	FKM	SIF-1098
OR66012070-08	120.70	6.60	NBR	SIF-115
OR50014850-67	120.70	7.00	FKM	SIF-761
OR95012070-08	120.70	9.50	NBR	SIF-265
OR35312025-10	120.75	3.53	NBR	SIF-614
OR60312097-08	120.97	6.03	NBR	SIF-1015
OR17812100-08	121.00	1.78	NBR	SIF-460
OR20012100-43	121.00	2.00	VMQ	SIF-1122
OR26001210-D6	121.00	2.60	HNBR	SIF-512
OR30012100-20	121.00	3.00	CR	SIF-1108
OR35012100-08	121.00	3.50	NBR	SIF-264
OR45012100-20	121.00	4.50	CR	SIF-535
OR50012100-89	121.00	5.00	PU	POC-181
OR50012100-08	121.00	5.00	NBR	SIF-1089
OR55012100-43	121.00	5.50	VMQ	SIF-439
OR70012100-08	121.00	7.00	NBR	SIF-188
OR90012100-06	121.00	9.00	NBR	SIF-851
OR10012100-43	121.00	10.00	VMQ	SIF-961
OR12012100-43	121.00	12.00	VMQ	SIF-960
OR12012100-08	121.00	12.00	NBR	SIF-1006
OR35312138-64	121.38	3.53	FKM	SIF-918
OR18012140-08	121.40	1.80	NBR	SIF-1043
OR50012140-08	121.40	5.00	NBR	SIF-718
OR60012150-08	121.50	6.00	NBR	SIF-299
OR30012163-66	121.63	3.00	FKM	SIF-788
OR37612163-08	121.63	3.76	HNBR	SIF-743
OR37712165-08	121.65	3.77	NBR	SIF-1018
OR20012200-08	122.00	2.00	NBR	SIF-566
OR20012200-43	122.00	2.00	VMQ	SIF-1026
OR23012200-64	122.00	2.30	FKM	SIF-824
OR25012200-08	122.00	2.50	NBR	SIF-309
OR25012200-43	122.00	2.50	VMQ	SIF-1025
OR25012200-64	122.00	2.50	NBR	SIF-1230
OR27012200-39	122.00	2.70	VMQ	SIF-1136
OR30012200-64	122.00	3.00	FKM	SIF-836
OR30012200-08	122.00	3.00	NBR	SIF-396
OR30012200-20	122.00	3.00	CR	SIF-1048
OR33012200-64	122.00	3.30	FKM	SIF-615
OR35012200-08	122.00	3.50	NBR	SIF-142
OR35512200-08	122.00	3.55	NBR	SIF-650
OR36012200-08	122.00	3.60	NBR	SIF-363
OR38212200-08	122.00	3.82	NBR	SIF-461
OR40012200-64	122.00	4.00	FKM	SIF-802
OR40012200-08	122.00	4.00	NBR	SIF-247
OR40012200-43	122.00	4.00	VMQ	SIF-1104
OR45012200-64	122.00	4.50	FKM	SIF-793
OR50012200-08	122.00	5.00	NBR	SIF-307
OR53012200-08	122.00	5.30	NBR	SIF-644
OR55012200-64	122.00	5.50	FKM	SIF-777
OR57012200-08	122.00	5.70	NBR	SIF-291
OR60012200-43	122.00	6.00	VMQ	SIF-889
OR65012200-08	122.00	6.50	NBR	SIF-933
OR70012200-08	122.00	7.00	NBR	SIF-852
OR70012200-64	122.00	7.00	FKM	SIF-380
OR75012200-64	122.00	7.50	FKM	SIF-973
OR80012200-08	122.00	8.00	NBR	SIF-189
OR80012200-64	122.00	8.00	FKM	SIF-893
OR83012200-67	122.00	8.30	FKM	SIF-394
OR90012200-08	122.00	9.00	NBR	SIF-185
OR90012200-08	122.00	9.00	NBR	SIF-180
OR90012200-64	122.00	9.00	FKM	SIF-1179
OR11012200-20	122.00	11.00	CR	SIF-579
OR12012200-32	122.00	12.00	EPDM	SIF-1061
OR14012200-32	122.00	14.00	EPDM	SIF-1267
OR35012235-08	122.35	3.50	NBR	SIF-1099
OR20012250-64	122.50	2.00	FKM	SIF-448

Part No.	d	c/s	Material	Mould No.
OR26212250-08	122.50	2.62	NBR	SIF-940
OR33012250-64	122.50	3.30	FKM	SIF-1160
OR84012250-06	122.50	8.40	NBR	SIF-759
OR10012250-08	122.50	10.00	NBR	SIF-477
OR35012260-D4	122.60	3.50	HNBR	SIF-479
OR38112266-64	122.66	3.81	FKM	SIF-782
OR35312294-64	122.94	3.53	FKM	SIF-1009
OR45312295-08	122.95	4.53	NBR	SIF-1186
OR18012500-08	123.00	1.80	NBR	SIF-628
OR18012300-64	123.00	1.80	FKM	SIF-844
OR20012300-43	123.00	2.00	VMQ	SIF-1145
OR27012300-64	123.00	2.70	FKM	SIF-613
OR30012300-08	123.00	3.00	NBR	SIF-156
OR30012300-64	123.00	3.00	FKM	SIF-695
OR30012300-64	123.00	3.00	FKM	SIF-399
OR35001230-D5	123.00	3.50	HNBR	SIF-981
OR40012300-08	123.00	4.00	NBR	SIF-258
OR45012300-08	123.00	4.50	NBR	SIF-102
OR47012300-08	123.00	4.70	NBR	SIF-769
OR50012300-08	123.00	5.00	NBR	SIF-209
OR50012300-D5	123.00	5.00	HNBR	SIF-517
OR57012300-08	123.00	5.70	NBR	SIF-861
OR60012300-08	123.00	6.00	NBR	SIF-249
OR60012300-64	123.00	6.00	FKM	SIF-662
OR70012300-08	123.00	7.00	NBR	SIF-1060
OR15012300-08	123.00	15.00	NBR	SIF-959
OR97712311-08	123.11	9.77	NBR	SIF-1253
OR53312319-64	123.19	5.33	FKM	SIF-465
OR53312319-67	123.19	5.33	FKM	SIF-485
OR53312319-08	123.19	5.33	NBR	SIF-339
OR55012319-08	123.19	5.50	NBR	SIF-899
OR57012319-67	123.19	5.70	FKM	SIF-637
OR69912319-64	123.19	6.99	FKM	SIF-752
OR69912319-08	123.19	6.99	NBR	SIF-201
OR69912319-08	123.19	6.99	NBR	SIF-344
OR20012320-20	123.20	2.00	CR	SIF-688
OR69912320-34	123.20	6.99	EPDM	SIF-1182
OR35312342-11	123.42	3.53	NBR	SIF-626
OR35312342-64	123.42	3.53	FKM	SIF-463
OR35312342-08	123.42	3.53	NBR	SIF-420
OR35312342-D5	123.42	3.53	HNBR	SIF-1030
OR35312342-66	123.42	3.53	FKM	SIF-1116
OR35312343-11	123.43	3.53	NBR	SIF-643
OR35312343-66	123.43	3.53	FKM	SIF-610
OR17812344-08	123.44	1.78	NBR	SIF-404
OR17812344-R1	123.44	1.78	FVMQ	SIF-1106
OR35012350-08	123.50	3.50	NBR	SIF-438
OR52012350-64	123.50	5.20	FKM	SIF-945
OR90012350-06	123.50	9.00	NBR	SIF-853
OR95012355-08	123.55	9.50	NBR	SIF-1022
OR30012360-66	123.60	3.00	FKM	SIF-708
OR30012363-66	123.63	3.00	FKM	SIF-737
OR37512375-08	123.75	3.75	NBR	SIF-1246
OR31512380-65	123.80	3.15	FKM	SIF-1132
OR56012380-L5	123.80	5.60	PU	POC-167
OR64012380-11	123.80	6.40	NBR	SIF-1065
OR26212382-64	123.82	2.62	FKM	SIF-1100
OR47612382-08	123.82	4.76	NBR	SIF-530
OR62512382-08	123.82	6.25	NBR	SIF-193
OR63512382-64	123.82	6.35	FKM	SIF-432
OR65012382-08	123.82	6.50	NBR	SIF-361
OR15012400-08	124.00	1.50	NBR	SIF-410
OR17812400-64	124.00	1.78	FKM	SIF-1120
OR20012400-08	124.00	2.00	NBR	SIF-409
OR28012400-08	124.00	2.80	NBR	SIF-316
OR30012400-43	124.00	3.00	VMQ	SIF-673
OR30012400-08	124.00	3.00	NBR	SIF-608
OR30012400-64	124.00	3.00	FKM	SIF-591
OR30012400-C1	124.00	3.00	XNBR	SIF-977
OR32012400-08	124.00	3.20	NBR	SIF-226
OR35001240-D6	124.00	3.50	HNBR	SIF-515
OR40012400-08	124.00	4.00	NBR	SIF-807
OR40012400-20	124.00	4.00	CR	SIF-128

Bold sizes are readily available in stock.
 Other material are available on request.

Part No.	d	c/s	Material	Mould No.
OR40012400-64	124.00	4.00	FKM	SIF-1004
OR45012400-08	124.00	4.50	NBR	SIF-805
OR50012400-08	124.00	5.00	NBR	SIF-770
OR50012400-65	124.00	5.00	FKM	SIF-930
OR50012400-65.	124.00	5.00	FKM	SIF-1093
OR51012400-65	124.00	5.10	FKM	SIF-1118
OR51012400-09	124.00	5.10	NBR	SIF-1218
OR53312400-L5	124.00	5.33	PU	POC-182
OR53312400-64	124.00	5.33	FKM	SIF-1192
OR55012400-08	124.00	5.50	NBR	SIF-441
OR55012400-64	124.00	5.50	FKM	SIF-955
OR60012400-08	124.00	6.00	NBR	SIF-212
OR65012400-08	124.00	6.50	NBR	SIF-1000
OR80012400-64	124.00	8.00	FKM	SIF-716
OR80012400-08	124.00	8.00	NBR	SIF-320
OR11912400-32	124.00	11.90	EPDM	SIF-1021
OR84012410-08	124.10	8.40	NBR	SIF-1219
OR35012420-18	124.20	3.50	CR	SIF-675
OR35012420-18	124.20	3.50	CR	SIF-707
OR53312423-10	124.23	5.33	NBR	SIF-347
OR57012430-43	124.30	5.70	VMQ	SIF-863
OR57012430-08	124.30	5.70	NBR	SIF-1125
OR31012440-66	124.40	3.10	FKM	SIF-669
OR31012440-66	124.40	3.10	FKM	SIF-671
OR31012400-11	124.40	3.10	NBR	SIF-382
OR37012440-08	124.40	3.70	NBR	SIF-1128
OR35312442-08	124.42	3.53	NBR	SIF-1235
OR15012450-08	124.50	1.50	NBR	SIF-810
OR20012450-04	124.50	2.00	NBR	SIF-571
OR20012450-06	124.50	2.00	NBR	SIF-616
OR30012450-08	124.50	3.00	NBR	SIF-236
OR35012450-08	124.50	3.50	NBR	SIF-491
OR40012450-64	124.50	4.00	FKM	SIF-570
OR57012460-08	124.60	5.70	NBR	SIF-239
OR53012470-08	124.70	5.30	NBR	SIF-224
OR26212476-66	124.76	2.62	FKM	SIF-913
OR15012500-08	125.00	1.50	NBR	SIF-629
OR18012500-V2	125.00	1.80	NBR	SIF-814
OR20012500-43	125.00	2.00	VMQ	SIF-548
OR20012500-38	125.00	2.00	VMQ	SIF-1154
OR20012500-08	125.00	2.00	NBR	SIF-1038
OR23012500-08	125.00	2.30	NBR	SIF-830
OR25012500-08	125.00	2.50	NBR	SIF-242
OR25012500-64	125.00	2.50	FKM	SIF-882
OR30012500-08	125.00	3.00	NBR	SIF-488
OR30012500-64	125.00	3.00	FKM	SIF-360
OR30012500-20	125.00	3.00	CR	SIF-1117
OR30012500-59	125.00	3.00	PU	POC-193
OR31012500-08	125.00	3.10	NBR	SIF-952
OR35012500-08	125.00	3.50	NBR	SIF-282
OR35012500-64	125.00	3.50	FKM	SIF-533
OR35012500-43	125.00	3.50	VMQ	SIF-972
OR35012500-05	125.00	3.50	NBR	SIF-1149
OR35512500-64	125.00	3.55	FKM	SIF-715
OR35012590-08	125.00	3.50	NBR	SIF-284
OR40012500-08	125.00	4.00	NBR	SIF-366
OR40012500-T9	125.00	4.00	FKM	SIF-970
OR40012500-T3	125.00	4.00	EPDM	SIF-1206
OR42012500-64	125.00	4.20	FKM	SIF-1200
OR43012500-08	125.00	4.30	NBR	SIF-831
OR45012500-08	125.00	4.50	NBR	SIF-694
OR50012500-08	125.00	5.00	NBR	SIF-220
OR50012500-64	125.00	5.00	FKM	SIF-522
OR50012500-T5	125.00	5.00	EPDM	SIF-580
OR53012500-32	125.00	5.30	EPDM	SIF-658
OR55012500-64	125.00	5.50	FKM	SIF-741
OR55012500-08	125.00	5.50	NBR	SIF-951
OR56512500-64	125.00	5.65	FKM	SIF-487
OR57012500-08	125.00	5.70	NBR	SIF-722
OR60012500-64	125.00	6.00	FKM	SIF-764
OR60012500-08	125.00	6.00	NBR	SIF-157
OR63512500-66	125.00	6.35	FKM	SIF-984
OR70012500-64	125.00	7.00	FKM	SIF-120

Part No.	d	c/s	Material	Mould No.
OR70012500-08	125.00	7.00	NBR	SIF-750
OR75012500-08	125.00	7.50	NBR	SIF-104
OR80012500-11	125.00	8.00	NBR	SIF-280
OR80012500-64	125.00	8.00	FKM	SIF-944
OR83012500-06	125.00	8.30	NBR	SIF-505
OR85012500-08	125.00	8.50	NBR	SIF-243
OR90012500-32	125.00	9.00	EPDM	SIF-1087
OR10012500-43	125.00	10.00	VMQ	SIF-809
OR10012500-08	125.00	10.00	NBR	SIF-372
OR10012500-32	125.00	10.00	EPDM	SIF-1115
OR11212500-08	125.00	11.25	NBR	SIF-825
OR12012500-43	125.00	12.00	VMQ	SIF-865
OR12012500-08	125.00	12.00	NBR	SIF-310
OR51012530-10	125.30	5.10	NBR	SIF-511
OR51012530-45	125.30	5.10	VMQ	SIF-476
OR51012530-66	125.30	5.10	FKM	SIF-592
OR22812537-64	125.37	2.28	FKM	SIF-898
OR34012537-64	125.37	3.40	FKM	SIF-783
OR35312541-64	125.41	3.53	FKM	SIF-1130
OR27812544-64	125.44	2.78	FKM	SIF-685
OR45012550-64	125.50	4.50	FKM	SIF-686
OR317512563-10	125.63	31.75	NBR	SIH-683
OR45212566-08	125.66	4.52	NBR	SIF-1014
OR26212570-08	125.70	2.62	NBR	SIF-598
OR36012580-10	125.80	3.60	NBR	SIF-597
OR25012585-D5	125.85	2.50	HNBR	SIF-982
OR35012590-08	125.90	3.50	NBR	SIF-1107
OR16012600-64	126.00	1.60	FKM	SIF-700
OR22012600-66	126.00	2.20	FKM	SIF-1058
OR25012600-64	126.00	2.50	FKM	SIF-834
OR30012600-75	126.00	3.00	AFLAS	SIF-1164
OR32012600-08	126.00	3.20	NBR	SIF-174
OR40012600-08	126.00	4.00	NBR	SIF-250
OR40012600-64	126.00	4.00	FKM	SIF-947
OR50012600-64	126.00	5.00	FKM	SIF-446
OR50012600-08	126.00	5.00	NBR	SIF-322
OR55012600-L5	126.00	5.50	PU	POC-184
OR55012600-64	126.00	5.50	FKM	SIF-1086
OR63512600-66	126.00	6.35	FKM	SIF-848
OR75012600-08	126.00	7.50	NBR	SIF-670
OR80012600-08	126.00	8.00	NBR	SIF-1189
OR18012600-43	126.00	18.00	VMQ	SIG-978
OR16012620-08	126.20	1.60	NBR	SIF-1207
OR11912631-08	126.31	1.19	NBR	SIF-897
OR53312637-08	126.37	5.33	NBR	SIF-194
OR53312637-64	126.37	5.33	FKM	SIF-572
OR69912637-08	126.37	6.99	NBR	SIF-112
OR69912637-64	126.37	6.99	FKM	SIF-703
OR69912637-64	126.37	6.99	FKM	SIF-537
OR69912637-S4	126.37	6.99	HNBR	SIF-886
OR69912640-R1	126.40	6.99	FVMQ	SIF-1204
OR53312644-32	126.44	5.33	EPDM	SIF-1035
OR70012650-08	126.50	7.00	NBR	SIF-964
OR95012650-08	126.50	9.50	NBR	SIF-365
OR10001265-64	126.50	10.00	FKM	SIF-1238
OR35312659-64	126.59	3.53	FKM	SIF-406
OR35312659-08	126.59	3.53	NBR	SIF-340
OR35312659-D6	126.59	3.53	HNBR	SIF-524
OR35312659-66	126.59	3.53	FKM	SIF-467
OR26012660-64	126.60	2.60	FKM	SIF-600
OR26212667-66	126.67	2.62	FKM	SIF-471
OR26212667-08	126.67	2.62	NBR	SIF-329
OR26212667-64	126.67	2.62	FKM	SIF-407
OR28212667-11	126.67	2.82	NBR	SIF-1036
OR16012670-08	126.70	1.60	NBR	SIF-664
OR17812672-66	126.72	1.78	FKM	SIF-725
OR17812672-08	126.72	1.78	NBR	SIF-345
OR17812672-08	126.72	1.78	NBR	SIF-565
OR40012680-08	126.80	4.00	NBR	SIF-775
OR31812699-C1	126.99	3.18	XNBR	SIF-1271
OR16012700-08	127.00	1.60	NBR	SIF-114
OR20012700-08	127.00	2.00	NBR	SIF-159
OR25012700-08	127.00	2.50	NBR	SIF-395

Bold sizes are readily available in stock.
Other material are available on request.

Part No.	d	c/s	Material	Mould No.
OR25012700-43	127.00	2.50	VMQ	SIF-756
OR30012700-64	127.00	3.00	FKM	SIF-274
OR30012700-32	127.00	3.00	EPDM	SIF-502
OR30012700-03	127.00	3.00	NBR	SIF-1263
OR32012700-08	127.00	3.20	NBR	SIF-204
OR35012700-08	127.00	3.50	NBR	SIF-187
OR37512700-64	127.00	3.75	FKM	SIF-1156
OR40012700-08	127.00	4.00	NBR	SIF-229
OR45012700-08	127.00	4.50	NBR	SIF-908
OR50012700-08	127.00	5.00	NBR	SIF-103
OR53312700-64	127.00	5.33	FKM	SIF-723
OR53412700-34	127.00	5.34	EPDM	SIF-469
OR60012700-08	127.00	6.00	NBR	SIF-221
OR60012700-08	127.00	6.00	NBR	SIF-223
OR60012700-66	127.00	6.00	FKM	SIF-995
OR64012700-08	127.00	6.40	NBR	SIF-211
OR70012700-64	127.00	7.00	FKM	SIF-731
OR71412700-08	127.00	7.14	NBR	SIF-314
OR75012700-08	127.00	7.50	NBR	SIF-1043
OR80012700-08	127.00	8.00	NBR	SIF-646
OR90012700-43	127.00	9.00	VMQ	SIF-997
OR95012700-08	127.00	9.50	NBR	SIF-956
OR95212700-08	127.00	9.52	NBR	SIF-874
OR11412700-08	127.00	11.40	NBR	SIF-119
OR20012704-64	127.04	2.00	FKM	SIF-773
OR30212715-64	127.15	3.02	FKM	SIF-969
OR35012744-08	127.44	3.50	NBR	SIF-635
OR60012750-08	127.50	6.00	NBR	SIF-734
OR67012750-08	127.50	6.70	NBR	SIF-230
OR69912750-10	127.50	6.99	NBR	SIF-509
OR25512750-08	127.50	25.50	NBR	SIH-739
OR35312977-08	127.77	3.53	NBR	SIF-558
OR57012780-08	127.80	5.70	NBR	SIF-717
OR70012780-64	127.80	7.00	FKM	SIF-698
OR10012800-08	128.00	1.00	NBR	SIF-937
OR15012800-64	128.00	1.50	FKM	SIF-413
OR15012800-08	128.00	1.50	NBR	SIF-1203
OR20012800-08	128.00	2.00	NBR	SIF-455
OR20012800-66	128.00	2.00	FKM	SIF-904
OR25012800-66	128.00	2.50	FKM	SIF-542
OR28012800-64	128.00	2.80	FKM	SIF-966
OR30012800-64	128.00	3.00	FKM	SIF-534
OR30012800-08	128.00	3.00	NBR	SIF-430
OR35012800-64	128.00	3.50	FKM	SIF-639
OR35312800-08	128.00	3.53	NBR	SIF-122
OR35512800-64	128.00	3.55	FKM	SIF-1266
OR40012800-43	128.00	4.00	VMQ	SIF-149
OR45012800-08	128.00	4.50	NBR	SIF-155
OR50012800-08	128.00	5.00	NBR	SIF-275
OR50012800-64	128.00	5.00	FKM	SIF-1003
OR53012800-08	128.00	5.30	NBR	SIF-337
OR55012000-08	128.00	5.50	NBR	SIF-442
OR60012800-59	128.00	6.00	PU	POC-153
OR60012800-08	128.00	6.00	NBR	SIF-208
OR60012800-64	128.00	6.00	FKM	SIF-611
OR65012800-08	128.00	6.50	NBR	SIF-1045
OR70012800-08	128.00	7.00	NBR	SIF-677
OR70012800-64	128.00	7.00	FKM	SIF-1077
OR90012800-08	128.00	9.00	NBR	SIF-576
OR95012800-08	128.00	9.50	NBR	SIF-1113
OR12012800-08	128.00	12.00	NBR	SIG-371
OR66012810-64	128.10	6.60	FKM	SIF-1262
OR40012850-08	128.50	4.00	NBR	SIF-1212
OR95012850-06	128.50	9.50	NBR	SIF-869
OR57001286-08	128.60	5.70	NBR	SIF-714
OR64012860-08	128.60	6.40	NBR	SIF-191
OR86012870-08	128.70	8.60	NBR	SIF-389
OR37512875-08	128.75	3.75	NBR	SIF-1244
OR26212876-08	128.76	2.62	NBR	SIF-953
OR45312882-C1	128.82	4.53	XNBR	SIF-1142
OR34012894-64	128.94	3.40	FKM	SIF-619
OR75412899-08	128.99	7.54	NBR	SIF-1019
OR24012900-08	129.00	2.40	NBR	SIF-377

Part No.	d	c/s	Material	Mould No.
OR25012900-32	129.00	2.50	EPDM	SIF-526
OR25012900-08	129.00	2.50	NBR	SIF-424
OR28012900-32	129.00	2.80	EPDM	SIF-1050
OR30012900-08	129.00	3.00	NBR	SIF-454
OR30012900-06	129.00	3.00	NBR	SIF-257
OR32012900-08	129.00	3.20	NBR	SIF-1213
OR35012900-08	129.00	3.50	NBR	SIF-837
OR35312900-64	129.00	3.53	FKM	SIF-1194
OR40012900-64	129.00	4.00	FKM	SIF-950
OR50012900-08	129.00	5.00	NBR	SIF-117
OR55012900-64	129.00	5.50	FKM	SIF-656
OR55012900-08	129.00	5.50	NBR	SIF-137
OR58012900-66	129.00	5.80	FKM	SIF-1174
OR60012900-08	129.00	6.00	NBR	SIF-216
OR60012900-64	129.00	6.00	FKM	SIF-462
OR68012900-08	129.00	6.80	NBR	SIF-862
OR75012900-08	129.00	7.50	NBR	SIF-285
OR80012900-08	129.00	8.00	NBR	SIF-311
OR84012900-11	129.00	8.40	NBR	SIF-1046
OR95012900-41	129.00	9.50	VMQ	SIF-206
OR10512900-43	129.00	10.50	VMQ	SIF-105
OR30212906-D5	129.06	3.02	HNBR	SIF-998
OR58012910-20	129.10	5.80	CR	SIF-1097
OR57012920-11	129.20	5.70	NBR	SIF-279
OR57012930-16	129.30	5.70	CR	SIF-466
OR57012930-R1	129.30	5.70	FVMQ	SIF-979
OR17812940-08	129.40	1.78	NBR	SIF-403
OR17812940-R1	129.40	1.78	FVMQ	SIF-1105
OR31012940-64	129.40	3.10	FKM	SIF-813
OR31012640-11	129.40	3.10	NBR	SIF-371
OR26112943-08	129.43	2.61	NBR	SIF-401
OR22712950-08	129.50	2.27	NBR	SIF-1013
OR30012950-R1	129.50	3.00	FVMQ	SIF-931
OR32012950-08	129.50	3.20	NBR	SIF-1177
OR35312950-64	129.50	3.53	FKM	SIF-1193
OR72512950-06	129.50	7.25	NBR	SIF-818
OR53312954-08	129.54	5.33	NBR	SIF-355
OR53312954-64	129.54	5.33	FKM	SIF-621
OR69912954-64	129.54	6.99	FKM	SIF-801
OR69912954-08	129.54	6.99	NBR	SIF-235
OR57012960-64	129.60	5.70	FKM	SIF-768
OR57012960-11	129.60	5.70	NBR	SIF-735
OR57012960-66	129.60	5.70	FKM	SIF-586
OR35312977-11	129.77	3.53	NBR	SIF-630
OR35312977-08	129.77	3.53	NBR	SIF-330
OR35312977-64	129.77	3.53	FKM	SIF-520
OR35312977-20	129.77	3.53	CR	SIF-1112
OR50012980-D5	129.80	5.00	HNBR	SIF-516
OR10013000-08	130.00	1.00	NBR	SIF-965
OR10013000-64	130.00	1.00	FKM	SIF-1221
OR15013000-08	130.00	1.50	NBR	SIF-821
OR17813000-64	130.00	1.78	FKM	SIF-838
OR19013000-43	130.00	1.90	VMQ	SIF-887
OR20013000-08	130.00	2.00	NBR	SIF-178
OR25013000-08	130.00	2.50	NBR	SIF-298
OR25013000-41	130.00	2.50	VMQ	SIF-754
OR30013000-08	130.00	3.00	NBR	SIF-108
OR30013000-64	130.00	3.00	FKM	SIF-504
OR30013000-D5	130.00	3.00	HNBR	SIF-900
OR30013000-20	130.00	3.00	CR	SIF-1109
OR30013000-43	130.00	3.00	VMQ	SIF-1114
OR33013000-64	130.00	3.30	FKM	SIF-315
OR35013000-08	130.00	3.50	NBR	SIF-101
OR35013000-09	130.00	3.50	NBR	SIF-582
OR35013000-43	130.00	3.50	VMQ	SIF-822
OR40013000-64	130.00	4.00	FKM	SIF-719
OR40013000-08	130.00	4.00	NBR	SIF-234
OR45013000-08	130.00	4.50	NBR	SIF-541
OR45013000-64	130.00	4.50	FKM	SIF-447
OR50013000-64	130.00	5.00	FKM	SIF-799
OR50013000-L5	130.00	5.00	PU	POC-148
OR50013000-08	130.00	5.00	NBR	SIF-498
OR50013000-08	130.00	5.00	NBR	SIF-228

Bold sizes are readily available in stock.
 Other material are available on request.

Part No.	d	c/s	Material	Mould No.
OR50013000-18	130.00	5.00	CR	SIF-1052
OR50013000-D7	130.00	5.00	HNBR	SIF-1159
OR53313000-O8	130.00	5.33	FKM	SIF-912
OR55013000-O8	130.00	5.50	NBR	SIF-729
OR55013000-10	130.00	5.50	NBR	SIF-1223
OR60013000-O8	130.00	6.00	NBR	SIF-308
OR63013000-O8	130.00	6.30	NBR	SIF-812
OR65013000-O8	130.00	6.50	NBR	SIF-294
OR65013000-64	130.00	6.50	FKM	SIF-923
OR65013000-32	130.00	6.50	EPDM	SIF-1185
OR70013000-O8	130.00	7.00	NBR	SIF-116
OR80013000-43	130.00	8.00	VMQ	SIF-679
OR80013000-L5	130.00	8.00	PU	POC-178
OR80013000-64	130.00	8.00	NBR	SIF-1257
OR85013000-O8	130.00	8.50	NBR	SIF-674
OR90013000-O8	130.00	9.00	NBR	SIF-577
OR90013000-T2	130.00	9.00	VMQ	SIF-1135
OR95013000-O8	130.00	9.50	NBR	SIF-567
OR95013000-64	130.00	9.50	FKM	SIF-938
OR10013000-43	130.00	10.00	VMQ	SIF-815
OR10013000-06	130.00	10.00	NBR	SIF-819
OR10013000-O8	130.00	10.00	NBR	SIF-147
OR11001300-43	130.00	11.00	VMQ	SIG-471
OR12001300-O8	130.00	12.00	NBR	SIG-564
OR12013000-40	130.00	12.00	VMQ	SIG-688
OR14013000-O8	130.00	14.00	NBR	SIG-865
OR55813004-S4	130.04	5.58	HNBR	SIF-920
OR53313018-T5	130.18	5.33	EPDM	SIF-1255
OR53313020-O8	130.20	5.33	NBR	SIF-820
OR95013020-O8	130.20	9.50	NBR	SIF-127
OR47513025-64	130.25	4.75	FKM	SIF-772
OR30213033-O8	130.33	3.02	HNBR	SIF-713
OR35013034-O8	130.34	3.50	NBR	SIF-634
OR30013050-O8	130.50	3.00	NBR	SIF-872
OR31013050-65	130.50	3.10	FKM	SIF-1258
OR60013050-67	130.50	6.00	FKM	SIF-760
OR26213084-BU	130.84	2.62	NBR	SIF-926
OR41013090-O8	130.90	4.10	NBR	SIF-165
OR17013100-O8	131.00	1.70	NBR	SIF-433
OR20013100-43	131.00	2.00	NBR	SIF-1028
OR24013100-32	131.00	2.40	EPDM	SIF-943
OR25013100-43	131.00	2.50	VMQ	SIF-1027
OR30013100-20	131.00	3.00	CR	SIF-443
OR32513100-66	131.00	3.25	FKM	SIF-994
OR35013100-64	131.00	3.50	FKM	SIF-1123
OR50013100-O8	131.00	5.00	NBR	SIF-710
OR60013100-O8	131.00	6.00	NBR	SIF-124
OR75013100-O8	131.00	7.50	NBR	SIF-1173
OR80013100-O8	131.00	8.00	NBR	SIF-125
OR10013100-32	131.00	10.00	EPDM	SIG-893
OR38113113-D5	131.13	3.81	HNBR	SIF-1260
OR35013150-64	131.50	3.50	FKM	SIF-989
OR45013150-O8	131.50	4.50	NBR	SIF-866
OR50013150-D5	131.50	5.00	HNBR	SIF-523
OR53013154-64	131.54	5.30	FKM	SIF-1140
OR59413156-64	131.56	5.94	FKM	SIF-1147
OR57013160-O8	131.60	5.70	NBR	SIF-319
OR57001360-67	131.60	5.70	FKM	SIF-924
OR30013190-45	131.90	3.00	VMQ	SIF-475
OR30013190-66	131.90	3.00	FKM	SIF-482
OR30013190-10	131.90	3.00	NBR	SIF-483
OR35013190-D5	131.90	3.50	HNBR	SIF-480
OR15013200-64	132.00	1.50	FKM	SIF-425
OR17813200-O8	132.00	1.78	NBR	SIF-1010
OR20013200-O8	132.00	2.00	NBR	SIF-617
OR20013200-64	132.00	2.00	FKM	SIF-1054
OR25013200-O8	132.00	2.50	NBR	SIF-200
OR25013200-64	132.00	2.50	FKM	SIF-871
OR25013200-20	132.00	2.50	CR	SIF-1172
OR27013200-64	132.00	2.70	FKM	SIF-1040
OR30013200-O8	132.00	3.00	NBR	SIF-385
OR30013200-O8	132.00	3.00	NBR	SIF-560
OR30013200-32	132.00	3.00	EPDM	SIF-1055

Part No.	d	c/s	Material	Mould No.
OR35313200-10	132.00	3.53	NBR	SIF-699
OR35513200-O8	132.00	3.55	NBR	SIF-332
OR40013200-O8	132.00	4.00	NBR	SIF-270
OR40013200-67	132.00	4.00	FKM	SIF-903
OR42013200-O8	132.00	4.20	NBR	SIF-1239
OR45301320-O8	132.00	4.53	NBR	SIF-928
OR50013200-O8	132.00	5.00	NBR	SIF-240
OR50013200-64	132.00	5.00	FKM	SIF-902
OR50013200-43	132.00	5.00	VMQ	SIF-569
OR55013200-64	132.00	5.50	FKM	SIF-1141
OR60013200-O8	132.00	6.00	NBR	SIF-864
OR60013200-O8	132.00	6.00	NBR	SIF-987
OR75013200-O8	132.00	7.50	NBR	SIF-232
OR75013200-32	132.00	7.50	EPDM	SIF-627
OR80013200-43	132.00	8.00	VMQ	SIF-427
OR90013200-U4	132.00	9.00	EPDM	SIF-625
OR90013200-O8	132.00	9.00	NBR	SIF-1075
OR10013200-43	132.00	10.00	VMQ	SIG-322
OR12013200-20	132.00	12.00	CR	SIG-953
OR60013250-O8	132.50	6.00	NBR	SIF-197
OR62513250-O8	132.50	6.25	NBR	SIF-317
OR37013260-O8	132.60	3.70	NBR	SIF-668
OR26213270-O8	132.70	2.62	NBR	SIF-1152
OR63013270-O8	132.70	6.30	NBR	SIF-590
OR53313272-O8	132.72	5.33	NBR	SIF-160
OR53313272-64	132.72	5.33	FKM	SIF-412
OR69913272-64	132.72	6.99	FKM	SIF-800
OR69913272-O8	132.72	6.99	NBR	SIF-233
OR69913272-04	132.72	6.99	NBR	SIF-906
OR69913279-D5	132.79	6.99	HNBR	SIF-1062
OR35313294-O8	132.94	3.53	NBR	SIF-192
OR35313294-64	132.94	3.53	FKM	SIF-748
OR35313294-D6	132.94	3.53	HNBR	SIF-521
OR15013300-64	133.00	1.50	FKM	SIF-1248
OR20013300-64	133.00	2.00	FKM	SIF-593
OR20013300-D5	133.00	2.00	HNBR	SIF-1227
OR30013300-D5	133.00	3.00	HNBR	SIF-131
OR30013300-O8	133.00	3.00	NBR	SIF-132
OR30013300-V2	133.00	3.00	NBR	SIF-890
OR30013300-62	133.00	3.00	FKM	SIF-1196
OR35013300-O8	133.00	3.50	NBR	SIF-697
OR40013300-D6	133.00	4.00	HNBR	SIF-1201
OR45013300-10	133.00	4.50	NBR	SIF-828
OR50013300-O8	133.00	5.00	NBR	SIF-154
OR50013300-O8	133.00	5.00	NBR	SIF-254
OR50013300-O8	133.00	5.00	NBR	SIF-263
OR60013300-32	133.00	6.00	EPDM	SIF-1188
OR60013300-64	133.00	6.00	FKM	SIF-1198
OR63013300-32	133.00	6.30	EPDM	SIF-1187
OR65013300-O8	133.00	6.50	NBR	SIF-196
OR15013300-O8	133.00	15.00	NBR	SIG-731
OR26213302-66	133.02	2.62	FKM	SIF-470
OR26213302-O8	133.02	2.62	NBR	SIF-341
OR26213302-32	133.02	2.62	EPDM	SIF-1234
OR17813307-O8	133.07	1.78	NBR	SIF-342
OR17813307-66	133.07	1.78	FKM	SIF-468
OR17813307-28	133.07	1.78	EPDM	SIF-1126
OR17813307-R1	133.07	1.78	FVMQ	SIF-1175
OR35013315-D5	133.15	3.50	HNBR	SIF-983
OR26213320-T5	133.20	2.62	EPDM	SIF-1208
OR40013330-O8	133.30	4.00	NBR	SIF-260
OR69913335-35	133.35	6.99	EPDM	SIF-845
OR70013335-O8	133.35	7.00	NBR	SIF-333
OR15813336-O8	133.36	1.58	NBR	SIF-605
OR20013350-O8	133.50	2.00	NBR	SIF-1037
OR30013350-O8	133.50	3.00	NBR	SIF-975
OR30213350-64	133.50	3.02	FKM	SIF-1011
OR33013350-64	133.50	3.30	FKM	SIF-738
OR38013350-67	133.50	3.80	FKM	SIF-915
OR22013360-O8	133.60	2.20	NBR	SIF-1066
OR10213360-43	133.60	10.20	VMQ	SIG-719
OR60313367-O8	133.67	6.03	NBR	SIF-1017
OR47013370-O8	133.70	4.70	NBR	SIF-162

Bold sizes are readily available in stock.
Other material are available on request.

Part No.	d	c/s	Material	Mould No.
OR86013370-08	133.70	8.60	NBR	SIG-347
OR29713374-08	133.74	2.97	NBR	SIF-324
OR37513375-08	133.75	3.75	NBR	SIF-1245
OR10013400-64	134.00	1.00	FKM	SIF-1119
OR15013400-08	134.00	1.50	NBR	SIF-881
OR20013400-D6	134.00	2.00	HNBR	SIF-1085
OR25013400-08	134.00	2.50	NBR	SIF-1056
OR30013400-08	134.00	3.00	NBR	SIF-739
OR30013400-D5	134.00	3.00	HNBR	SIF-914
OR30013400-64	134.00	3.00	FKM	SIF-1210
OR30013400-75	134.00	3.00	AFLAS	SIF-1163
OR31713400-10	134.00	3.17	NBR	SIF-368
OR35013400-64	134.00	3.50	FKM	SIF-348
OR35313400-04	134.00	3.53	NBR	SIF-1148
OR40013400-08	134.00	4.00	NBR	SIF-259
OR44813400-D5	134.00	4.48	HNBR	SIF-654
OR50013400-63	134.00	5.00	FKM	SIF-1053
OR55013400-64	134.00	5.50	FKM	SIF-609
OR57013400-D5	134.00	5.70	HNBR	SIF-655
OR80013400-64	134.00	8.00	FKM	SIF-647
OR80013400-08	134.00	8.00	NBR	SIF-778
OR12013400-10	134.00	12.00	NBR	SIG-892
OR50013425-08	134.25	5.00	NBR	SIF-1071
OR37513430-66	134.30	3.75	FKM	SIF-879
OR57013430-08	134.30	5.70	NBR	SIF-720
OR57013430-64	134.30	5.70	FKM	SIF-1063
OR28013440-64	134.40	2.80	FKM	SIF-733
OR31013440-D5	134.40	3.10	HNBR	SIF-684
OR31013440-11	134.40	3.10	NBR	SIF-383
OR70013440-08	134.40	7.00	NBR	SIF-632
OR20013450-64	134.50	2.00	FKM	SIF-653
OR30013450-08	134.50	3.00	NBR	SIF-227
OR30013450-64	134.50	3.00	FKM	SIF-444
OR30013450-08	134.50	3.00	NBR	SIF-497
OR30013450-R1	134.50	3.00	FVMQ	SIF-1131
OR35013450-D6	134.50	3.50	HNBR	SIF-1202
OR55013450-08	134.50	5.50	NBR	SIF-139
OR10013450-D6	134.50	10.00	HNBR	SIF-714
OR69913454-32	134.54	6.99	EPDM	SIF-1190
OR57013460-08	134.60	5.70	NBR	SIF-390
OR57013460-64	134.60	5.70	FKM	SIF-767
OR89013460-08	134.60	8.90	NBR	SIG-791
OR26113465-08	134.65	2.61	NBR	SIF-689
OR21013480-08	134.80	2.10	NBR	SIF-423
OR10001350-08	135.00	1.00	NBR	SIF-618
OR10013500-43	135.00	1.00	VMQ	SIF-1068
OR16013500-41	135.00	1.60	VMQ	SIF-1275
OR18013500-64	135.00	1.80	FKM	SIF-1161
OR20013500-08	135.00	2.00	NBR	SIF-538
OR20013500-08	135.00	2.00	NBR	SIF-557
OR20013500-64	135.00	2.00	FKM	SIF-1034
OR25013500-64	135.00	2.50	FKM	SIF-835
OR25013500-08	135.00	2.50	NBR	SIF-295
OR26213500-64	135.00	2.62	FKM	SIF-1047
OR30013500-08	135.00	3.00	NBR	SIF-833
OR30013500-39	135.00	3.00	VMQ	SIF-858
OR30013500-64	135.00	3.00	FKM	SIF-753
OR30013500-43	135.00	3.00	VMQ	SIF-1232
OR35013500-08	135.00	3.50	NBR	SIF-724
OR35313500-08	135.00	3.53	NBR	SIF-210
OR37013500-64	135.00	3.70	FKM	SIF-826
OR40013500-08	135.00	4.00	NBR	SIF-334
OR40013500-64	135.00	4.00	FKM	SIF-595
OR45013500-64	135.00	4.50	FKM	SIF-434
OR45013500-08	135.00	4.50	NBR	SIF-1249
OR50013500-08	135.00	5.00	NBR	SIF-362
OR50013500-64	135.00	5.00	FKM	SIF-691
OR53013500-08	135.00	5.30	NBR	SIF-758
OR55013500-64	135.00	5.50	FKM	SIF-327
OR55013500-64	135.00	5.50	FKM	SIF-574
OR57013500-64	135.00	5.70	FKM	SIF-612
OR57013500-08	135.00	5.70	NBR	SIF-676
OR60013500-08	135.00	6.00	NBR	SIF-283

Part No.	d	c/s	Material	Mould No.
OR60013500-64	135.00	6.00	FKM	SIF-563
OR65013500-08	135.00	6.50	NBR	SIF-709
OR75013500-08	135.00	7.50	NBR	SIF-746
OR84013500-32	135.00	8.40	EPDM	SIG-880
OR90013500-43	135.00	9.00	VMQ	SIG-633
OR10013500-43	135.00	10.00	VMQ	SIG-436
OR10013500-08	135.00	10.00	NBR	SIG-984
OR13013500-04	135.00	13.00	NBR	SIH-288
OR15013500-08	135.00	15.00	NBR	SIG-740
OR34013520-S7	135.20	3.40	NBR	SIF-839
OR12713527-64	135.27	1.27	NBR	SIF-419
OR56013540-08	135.40	5.60	NBR	SIF-680
OR65013540-66	135.40	6.50	FKM	SIF-1242
OR34013550-64	135.50	3.40	FKM	SIF-935
OR50013550-08	135.50	5.00	NBR	SIF-742
OR50013550-08	135.50	5.00	NBR	SIF-325
OR72513550-08	135.50	7.25	NBR	SIF-786
OR17813576-08	135.76	1.78	NBR	SIF-402
OR17813576-T2	135.76	1.78	VMQ	SIF-986
OR53313589-64	135.89	5.33	FKM	SIF-860
OR53313589-08	135.89	5.33	NBR	SIF-172
OR53313589-64	135.89	5.33	FKM	SIF-702
OR53313589-S4	135.89	5.33	HNBR	SIF-672
OR53313589-66	135.89	5.33	FKM	SIF-573
OR53313589-64	135.89	5.33	FKM	SIF-601
OR53313589-L5	135.89	5.33	PU	POC-168
OR53313589-64	135.89	5.33	FKM	SIF-1101
OR69913589-64	135.89	6.99	FKM	SIF-804
OR69913589-08	135.89	6.99	NBR	SIF-692
OR69913589-08	135.89	6.99	NBR	SIF-301
OR69913589-08	135.89	6.99	NBR	SIF-426
OR15013600-64	136.00	1.50	FKM	SIF-957
OR25013600-08	136.00	2.50	NBR	SIF-1215
OR26213600-64	136.00	2.62	FKM	SIF-367
OR26213600-08	136.00	2.62	NBR	SIF-948
OR30013600-64	136.00	3.00	FKM	SIF-847
OR30013600-08	136.00	3.00	NBR	SIF-205
OR35013600-08	136.00	3.50	NBR	SIF-135
OR40013600-L5	136.00	4.00	PU	POC-172
OR40013600-08	136.00	4.00	NBR	SIF-1183
OR52513600-64	136.00	5.25	FKM	SIF-492
OR55013600-08	136.00	5.50	NBR	SIF-143
OR60013600-08	136.00	6.00	NBR	SIF-785
OR60013600-R1	136.00	6.00	FVMQ	SIF-594
OR70013600-08	136.00	7.00	FKM	SIF-428
OR77013600-43	136.00	7.70	VMQ	SIG-405
OR80013600-43	136.00	8.00	VMQ	SIF-406
OR80013600-08	136.00	8.00	NBR	SIG-148
OR90013600-06	136.00	9.00	NBR	SIG-572
OR10013600-62	136.00	10.00	FKM	SIG-548
OR35313612-64	136.12	3.53	FKM	SIF-414
OR35313612-08	136.12	3.53	NBR	SIF-273
OR35313612-T5	136.12	3.53	EPDM	SIF-917
OR35313612-64	136.12	3.53	FKM	SIF-1096
OR35313612-D6	136.12	3.53	HNBR	SIF-1226
OR31713639-08	136.39	3.17	NBR	SIF-350
OR35013650-U4	136.50	3.50	EPDM	SIF-916
OR35013650-U2	136.50	3.50	FKM	SIF-927
OR53413650-64	136.50	5.34	FKM	SIF-846
OR53413650-08	136.50	5.34	NBR	SIF-369
OR64013650-08	136.50	6.40	NBR	SIF-175
OR10013650-08	136.50	10.00	NBR	SIG-630
OR31713652-43	136.52	3.17	VMQ	SIF-925
OR47613652-64	136.52	4.76	FKM	SIF-349
OR53313652-34	136.52	5.33	EPDM	SIF-1044
OR57013660-08	136.60	5.70	NBR	SIF-620
OR70013680-08	136.80	7.00	NBR	SIF-214
OR30013690-65	136.90	3.00	FKM	SIF-842
OR30013690-65	136.90	3.00	FKM	SIF-1092
OR31013690-65	136.90	3.10	FKM	SIF-1127
OR31013690-09	136.90	3.10	NBR	SIF-1217
OR55013690-08	136.90	5.50	NBR	SIF-727
OR15013700-08	137.00	1.50	NBR	SIF-452

Bold sizes are readily available in stock.
 Other material are available on request.

Part No.	d	c/s	Material	Mould No.
OR20013700-64	137.00	2.00	FKM	SIF-1197
OR26213700-64	137.00	2.62	FKM	SIF-840
OR30013700-T2	137.00	3.00	VMQ	SIF-892
OR30013700-34	137.00	3.00	EPDM	SIF-942
OR30013700-C1	137.00	3.00	XNBR	SIF-976
OR35013700-08	137.00	3.50	NBR	SIF-501
OR35013700-L3	137.00	3.50	AFLAS	SIF-1231
OR40013700-08	137.00	4.00	NBR	SIF-268
OR40013700-08	137.00	4.00	NBR	SIF-173
OR41013700-66	137.00	4.10	FKM	SIF-1265
OR45013700-08	137.00	4.50	NBR	SIF-652
OR50013700-08	137.00	5.00	NBR	SIF-179
OR60013700-08	137.00	6.00	NBR	SIF-1274
OR65013700-08	137.00	6.50	NBR	SIF-218
OR65013700-64	137.00	6.50	FKM	SIF-936
OR68013700-08	137.00	6.80	NBR	SIG-106
OR70013700-64	137.00	7.00	FKM	SIG-519
OR75013700-64	137.00	7.50	FKM	SIG-642
OR90013700-34	137.00	9.00	EPDM	SIG-517
OR16013720-08	137.20	1.60	NBR	SIF-561
OR190513741-08	137.41	19.05	NBR	SIH-569
OR25013750-08	137.50	2.50	NBR	SIF-990
OR30013750-08	137.50	3.00	NBR	SIF-481
OR33013750-32	137.50	3.30	EPDM	SIF-888
OR33013750-64	137.50	3.30	FKM	SIF-1211
OR53013750-08	137.50	5.30	NBR	SIF-304
OR58013750-08	137.50	5.80	NBR	SIF-374
OR58013750-08	137.50	5.80	NBR	SIF-529
OR37713752-D5	137.52	3.77	HNBR	SIF-589
OR73013780-08	137.80	7.30	NBR	SIG-205
OR17813800-08	138.00	1.78	NBR	SIF-808
OR20013800-08	138.00	2.00	NBR	SIF-843
OR20013800-64	138.00	2.00	FKM	SIF-765
OR25013800-D5	138.00	2.50	HNBR	SIF-859
OR25313800-08	138.00	2.53	NBR	SIF-922
OR26013800-T5	138.00	2.60	EPDM	SIF-1094
OR30013800-08	138.00	3.00	NBR	SIF-312
OR35013800-08	138.00	3.50	NBR	SIF-875
OR35313800-66	138.00	3.53	FKM	SIF-640
OR40013800-08	138.00	4.00	NBR	SIF-721
OR40013800-64	138.00	4.00	FKM	SIF-272
OR40013800-43	138.00	4.00	VMQ	SIF-1111
OR50013800-08	138.00	5.00	NBR	SIF-641
OR50013800-18	138.00	5.00	CR	SIF-1209
OR50013800-64	138.00	5.00	FKM	SIF-1254
OR55013800-08	138.00	5.50	NBR	SIF-730
OR55013800-66	138.00	5.50	FKM	SIF-934
OR57013800-67	138.00	5.70	FKM	SIF-817
OR60013800-08	138.00	6.00	NBR	SIF-163
OR60013800-64	138.00	6.00	FKM	SIF-585
OR63013800-08	138.00	6.30	NBR	SIG-101
OR63013800-64	138.00	6.30	FKM	SIG-522
OR65013800-08	138.00	6.50	NBR	SIG-760
OR70013800-08	138.00	7.00	NBR	SIG-578
OR10013800-43	138.00	10.00	VMQ	SIG-345
OR10213800-38	138.00	10.20	VMQ	SIG-474
OR10213800-08	138.00	10.20	NBR	SIG-486
OR10413800-43	138.00	10.40	VMQ	SIG-613
OR12013800-43	138.00	12.00	VMQ	SIG-827
OR47713811-08	138.11	4.77	NBR	SIF-1251
OR45713831-D5	138.31	4.57	HNBR	SIF-1153
OR12713843-08	138.43	12.70	NBR	SIG-970
OR30013850-66	138.50	3.00	FKM	SIF-706
OR70013850-08	138.50	7.00	NBR	SIG-112
OR69913860-43	138.60	6.99	VMQ	SIF-710
OR37513875-08	138.75	3.75	NBR	SIF-1243
OR17813894-32	138.94	1.78	EPDM	SIF-1082
OR25013900-08	139.00	2.50	NBR	SIF-789
OR25013900-64	139.00	2.50	FKM	SIF-790
OR30013900-08	139.00	3.00	NBR	SIF-587
OR30013900-64	139.00	3.00	FKM	SIF-911
OR30013900-R1	139.00	3.00	FVMQ	SIF-1033
OR30013900-T3	139.00	3.00	EPDM	SIF-1237

Part No.	d	c/s	Material	Mould No.
OR35013900-41	139.00	3.50	VMQ	SIF-536
OR35013900-08	139.00	3.50	NBR	SIF-705
OR40013900-32	139.00	4.00	EPDM	SIF-791
OR40013900-64	139.00	4.00	FKM	SIF-792
OR42013900-43	139.00	4.20	VMQ	SIF-531
OR45013900-08	139.00	4.50	NBR	SIF-219
OR50013900-10	139.00	5.00	PTFE	SIF-780
OR55013900-08	139.00	5.50	NBR	SIF-854
OR65313900-08	139.00	6.53	NBR	SIG-671
OR83013900-06	139.00	8.30	NBR	SIG-552
OR53313907-08	139.07	5.33	NBR	SIF-109
OR53313907-64	139.07	5.33	FKM	SIF-440
OR53313907-T5	139.07	5.33	EPDM	SIF-1083
OR53313907-D6	139.07	5.33	HNBR	SIF-1225
OR69913907-08	139.07	6.99	NBR	SIG-171
OR69913907-64	139.07	6.99	FKM	SIF-159
OR69913907-89	139.07	6.99	PU	POD-155
OR35313929-08	139.29	3.53	NBR	SIF-246
OR35313929-64	139.29	3.53	FKM	SIF-411
OR26213930-64	139.30	2.62	FKM	SIF-841
OR35313930-32	139.30	3.53	EPDM	SIF-1133
OR57013930-08	139.30	5.70	NBR	SIG-303
OR57013930-64	139.30	5.70	FKM	SIG-620
OR26213937-08	139.37	2.62	NBR	SIF-364
OR26213937-R1	139.37	2.62	FVMQ	SIF-880
OR26213937-08	139.37	2.62	NBR	SIF-1146
OR31013940-11	139.40	3.10	NBR	SIF-857
OR25013950-64	139.50	2.50	FKM	SIF-1122
OR30013950-06	139.50	3.00	NBR	SIF-544
OR30013950-R1	139.50	3.00	VMQ	SIF-878
OR23813900-64	139.70	2.38	FKM	SIF-421
OR31713970-64	139.70	3.17	FKM	SIF-757
OR47013970-08	139.70	4.70	NBR	SIF-261
OR53313970-CM	139.70	5.33	FKM	SIG-789
OR12713970-08	139.70	12.70	NBR	SIG-725
OR63013980-08	139.80	6.30	NBR	SIG-122
OR10014000-08	140.00	1.00	NBR	SIF-1169
OR15014000-08	140.00	1.50	NBR	SIF-992
OR16214000-08	140.00	1.62	NBR	SIF-1129
OR17814000-11	140.00	1.78	NBR	SIF-393
OR17814000-32	140.00	1.78	EPDM	SIF-1158
OR20014000-66	140.00	2.00	FKM	SIF-823
OR20014000-08	140.00	2.00	NBR	SIF-392
OR200014000-08	140.00	2.00	NBR	SIF-539
OR23014000-08	140.00	2.30	NBR	SIF-829
OR25014000-08	140.00	2.50	NBR	SIF-296
OR27014000-39	140.00	2.70	VMQ	SIF-1176
OR28014000-32	140.00	2.80	EPDM	SIF-1051
OR30014000-08	140.00	3.00	NBR	SIF-252
OR30014000-T5	140.00	3.00	EPDM	SIF-1042
OR30014000-20	140.00	3.00	CR	SIF-1084
OR30014000-38	140.00	3.00	VMQ	SIF-1155
OR30014000-64	140.00	3.00	FKM	SIF-546
OR35014000-64	140.00	3.50	FKM	SIF-415
OR35014000-D6	140.00	3.50	HNBR	SIF-525
OR35014000-R3	140.00	3.50	PU	POC-155
OR35014000-08	140.00	3.50	NBR	SIF-130
OR35514000-08	140.00	3.10	NBR	SIF-651
OR40014000-08	140.00	4.00	NBR	SIF-184
OR40014000-08	140.00	4.00	NBR	SIF-148
OR40014000-64	140.00	4.00	FKM	SIF-416
OR40014000-64	140.00	4.00	FKM	SIF-418
OR50014000-64	140.00	5.00	FKM	SIF-797
OR50014000-08	140.00	5.00	NBR	SIF-451
OR50014000-08	140.00	5.00	NBR	SIF-199
OR50014000-08	140.00	5.00	NBR	SIF-203
OR50014000-L5	140.00	5.00	PU	POC-176
OR50014000-T3	140.00	5.00	EPDM	SIF-1270
OR53014000-08	140.00	5.30	NBR	SIG-163
OR55014000-64	140.00	5.50	FKM	SIG-146
OR55014000-08	140.00	5.50	NBR	SIG-499
OR56014000-08	140.00	5.60	NBR	SIG-977
OR57014000-64	140.00	5.70	FKM	SIG-394

Bold sizes are readily available in stock.
Other material are available on request.

Part No.	d	c/s	Material	Mould No.
OR57014000-L3	140.00	5.70	AFLAS	SIG-936
OR60014000-08	140.00	6.00	NBR	SIG-287
OR60014000-64	140.00	6.00	FKM	SIG-677
OR63014000-08	140.00	6.30	NBR	SIG-924
OR69914000-11	140.00	6.99	NBR	SIG-559
OR70014000-64	140.00	7.00	FKM	SIG-147
OR70014000-08	140.00	7.00	NBR	SIG-824
OR75014000-43	140.00	7.50	VMQ	SIG-123
OR80014000-08	140.00	8.00	NBR	SIG-104
OR10014000-43	140.00	10.00	VMQ	SIG-125
OR10014000-08	140.00	10.00	NBR	SIG-496
OR10014000-64	140.00	10.00	FKM	SIG-697
OR11014000-08	140.00	11.00	NBR	SIG-525
OR12014000-08	140.00	12.00	NBR	SIG-446
OR12014000-40	140.00	12.00	VMQ	SIG-687
OR13014000-08	140.00	13.00	NBR	SIG-782
OR15014000-08	140.00	15.00	NBR	SIG-403
OR16014000-08	140.00	16.00	NBR	SIG-954
OR60314002-08	140.02	6.03	NBR	SIG-804
OR64014030-08	140.30	6.40	NBR	SIG-399
OR26214048-64	140.48	2.62	FKM	SIF-422
OR39714050-08	140.50	3.97	NBR	SIF-1252
OR57514050-08	140.50	5.75	NBR	SIG-998
OR43214051-64	140.51	4.32	FKM	SIF-784
OR10014100-08	141.00	1.00	NBR	SIF-1150
OR20014100-64	141.00	2.00	FKM	SIF-921
OR26214100-08	141.00	2.62	NBR	SIF-562
OR30014100-08	141.00	3.00	NBR	SIF-855
OR40014100-64	141.00	4.00	FKM	SIF-554
OR45014100-08	141.00	4.50	NBR	SIF-690
OR50014100-08	141.00	5.00	NBR	SIG-467
OR60014100-08	141.00	6.00	NBR	SIG-180
OR60014100-64	141.00	6.00	FKM	SIG-887
OR15014100-10	141.00	15.00	NBR	SIG-853
OR10014120-08	141.20	10.00	NBR	SIG-847
OR58014121-64	141.21	5.80	FKM	SIG-779
OR47714129-08	141.29	4.77	NBR	SIG-987
OR35014150-D5	141.50	3.50	HNBR	SIF-489
OR42514150-08	141.50	4.25	NBR	SIF-606
OR35314173-08	141.73	3.53	NBR	SIF-1078
OR40014180-08	141.80	4.00	NBR	SIF-776
OR15014200-08	142.00	1.50	NBR/SIF-	
1057OR16014200-08	142.00	1.60	NBR	SIF-1162
OR18014200-08	142.00	1.80	NBR	SIF-1137
OR20014200-08	142.00	2.00	NBR	SIF-581
OR25014200-08	142.00	2.50	NBR	SIF-158
OR25014200-08	142.00	2.50	NBR	SIF-1124
OR26214200-64	142.00	2.62	FKM	SIF-596
OR30014200-T5	142.00	3.00	EPDM	SIF-503
OR30014200-08	142.00	3.00	NBR	SIF-437
OR30014200-64	142.00	3.00	FKM	SIF-603
OR38014200-17	142.00	3.80	CR	SIF-473
OR40014200-08	142.00	4.00	NBR	SIF-292
OR40014200-08	142.00	4.00	NBR	SIF-547
OR45014200-64	142.00	4.50	FKM	SIG-922
OR50014200-08	142.00	5.00	NBR	SIG-275
OR55014200-64	142.00	5.50	FKM	SIG-608
OR55014200-08	142.00	5.50	NBR	SIG-726
OR60014200-08	142.00	6.00	NBR	SIG-281
OR60014200-64	142.00	6.00	FKM	SIG-476
OR63014200-10	142.00	6.30	NBR	SIG-556
OR65014200-08	142.00	6.50	NBR	SIG-316
OR65014200-64	142.00	6.50	FKM	SIG-739
OR75014200-08	142.00	7.50	NBR	SIG-656
OR90014200-08	142.00	9.00	NBR	SIG-542
OR10014200-64	142.00	10.00	FKM	SIG-475
OR12014200-43	142.00	12.00	VMQ	SIG-763
OR70014220-38	142.20	7.00	VMQ	SIG-907
OR53314224-64	142.24	5.33	FKM	SIG-407
OR53314224-08	142.24	5.33	NBR	SIG-111
OR53314224-S4	142.24	5.33	HNBR	SIG-530
OR69914224-R1	142.24	6.99	FVMQ	SIG-667
OR69914224-08	142.24	6.99	NBR	SIG-195

Part No.	d	c/s	Material	Mould No.
OR69914224-64	142.24	6.99	FKM	SIG-336
OR70014224-08	142.24	7.00	NBR	SIG-377
OR12714224-10	142.24	12.70	NBR	SIG-946
OR50014240-43	142.40	5.00	VMQ	SIG-541
OR31714249-08	142.46	3.17	NBR	SIF-352
OR35314247-64	142.47	3.53	FKM	SIF-510
OR35014300-08	142.47	3.53	NBR	SIF-266
OR35314247-08	142.47	3.53	NBR	SIF-559
OR35314247-T5	142.47	3.53	EPDM	SIF-1139
OR90014250-08	142.50	9.00	NBR	SIG-871
OR23814262-08	142.62	2.38	NBR	SIF-827
OR26014270-08	142.70	2.60	NBR	SIF-1171
OR35314270-64	142.70	3.53	FKM	SIF-1064
OR57014270-64	142.70	5.70	FKM	SIG-614
OR55014280-64	142.80	5.50	FKM	SIG-352
OR95214286-08	142.86	9.52	NBR	SIG-643
OR31814287-D5	142.87	3.18	HNBR	SIF-1023
OR47614287-32	142.87	4.76	EPDM	SIG-636
OR63514287-64	142.87	6.35	FKM	SIG-350
OR53314288-08	142.88	5.33	NBR	SIG-458
OR22614291-64	142.91	2.26	FKM	SIF-795
OR15014300-08	143.00	1.50	NBR	SIF-321
OR20014300-08	143.00	2.00	NBR	SIF-118
OR20014300-64	143.00	2.00	FKM	SIF-896
OR30014300-08	143.00	3.00	NBR	SIF-198
OR30014300-C1	143.00	3.00	XNBR	SIF-978
OR35014300-08	143.00	3.50	NBR	SIF-803
OR35014300-64	143.00	3.50	FKM	SIF-532
OR35314300-10	143.00	3.53	NBR	SIG-424
OR37014300-64	143.00	3.70	FKM	SIG-848
OR40014300-08	143.00	4.00	NBR	SIG-274
OR40014300-65	143.00	4.00	FKM	SIG-753
OR41014300-65	143.00	4.10	FKM	SIG-918
OR45014300-08	143.00	4.50	NBR	SIG-243
OR45014300-18	143.00	4.50	CR	SIG-971
OR60014300-64	143.00	6.00	FKM	SIG-585
OR75014300-43	143.00	7.50	VMQ	SIG-370
OR85014300-08	143.00	8.50	NBR	SIG-234
OR30214303-D5	143.03	3.02	HNBR	SIF-949
OR30214303-C1	143.03	3.02	XNBR	SIF-946
OR30214303-08	143.03	3.02	NBR	SIF-1020
OR55014320-33	143.20	5.50	EPDM	SIG-910
OR17814325-10	143.25	1.78	NBR	SIF-391
OR37514375-08	143.75	3.75	NBR	SIG-982
OR33014380-64	143.80	3.30	FKM	SIF-549
OR15014400-08	144.00	1.50	NBR	SIF-832
OR16014400-11	144.00	1.60	NBR	SIF-806
OR25014400-32	144.00	2.50	EPDM	SIF-271
OR30014400-65	144.00	3.00	FKM	SIF-583
OR35014400-08	144.00	3.50	NBR	SIG-169
OR35314400-64	144.00	3.53	FKM	SIG-650
OR40014400-64	144.00	4.00	FKM	SIG-289
OR40014400-08	144.00	4.00	NBR	SIG-547
OR40014400-43	144.00	4.00	VMQ	SIG-764
OR45014400-08	144.00	4.50	NBR	SIG-214
OR45014400-64	144.00	4.50	FKM	SIG-888
OR50014400-64	144.00	5.00	FKM	SIG-290
OR50014400-08	144.00	5.00	NBR	SIG-575
OR55014400-08	144.00	5.50	NBR	SIG-882
OR57014400-08	144.00	5.70	NBR	SIG-561
OR60014400-08	144.00	6.00	NBR	SIG-109
OR70014400-64	144.00	7.00	FKM	SIG-311
OR70014400-08	144.00	7.00	NBR	SIG-493
OR70014400-08	144.00	7.00	FKM	SIG-716
OR75314400-08	144.00	7.53	NBR	SIG-755
OR80014400-64	144.00	8.00	FKM	SIG-521
OR80014400-08	144.00	8.00	NBR	SIG-156
OR80014400-32	144.00	8.00	EPDM	SIG-986
OR10014400-10	144.00	10.00	NBR	SIG-686
OR12014400-64	144.00	12.00	FKM	SIG-570
OR86014410-10	144.10	8.60	NBR	SIG-469
OR35014412-08	144.12	3.50	NBR	SIG-495
OR57014430-08	144.30	5.70	NBR	SIG-301

Bold sizes are readily available in stock.
 Other material are available on request.

Part No.	d	c/s	Material	Mould No.
OR57014430-43	144.30	5.70	VMQ	SIG-672
OR57014430-32	144.30	5.70	EPDM	SIG-934
OR31014440-64	144.40	3.10	FKM	SIG-391
OR31014440-08	144.40	3.10	NBR	SIF-225
OR30014450-08	144.50	3.00	NBR	SIG-668
OR30014450-08	144.50	3.00	NBR	SIG-461
OR53014450-08	144.50	5.30	NBR	SIG-390
OR45314470-08	144.70	4.53	NBR	SIG-803
OR45314470-C1	144.70	4.53	XNBR	SIG-864
OR10014490-43	144.90	10.00	VMQ	SIG-955
OR15014500-08	145.00	1.50	NBR	SIF-1110
OR20014500-08	145.00	2.00	NBR	SIF-849
OR25014500-64	145.00	2.50	FKM	SIF-870
OR25014500-08	145.00	2.50	NBR	SIF-988
OR26014500-08	145.00	2.60	NBR	SIG-574
OR30014500-08	145.00	3.00	NBR	SIG-194
OR30014500-08	145.00	3.00	NBR	SIG-131
OR30014500-08	145.00	3.00	NBR	SIG-551
OR35014500-08	145.00	3.50	NBR	SIG-355
OR35014500-64	145.00	3.50	FKM	SIG-412
OR35514500-08	145.00	3.55	NBR	SIG-512
OR38014500-17	145.00	3.80	CR	SIG-380
OR40014500-64	145.00	4.00	FKM	SIG-421
OR40014500-08	145.00	4.00	NBR	SIG-176
OR50014500-08	145.00	5.00	NBR	SIG-207
OR50014500-08	145.00	5.00	NBR	SIG-212
OR50014500-43	145.00	5.00	VMQ	SIG-231
OR55014500-08	145.00	5.50	NBR	SIG-318
OR55014500-64	145.00	5.50	FKM	SIG-520
OR16014500-43	145.00	6.00	VMQ	SIG-657
OR60014500-08	145.00	6.00	NBR	SIG-240
OR63014500-08	145.00	6.30	NBR	SIG-359
OR63014500-06	145.00	6.30	NBR	SIG-663
OR70014500-08	145.00	7.00	NBR	SIG-277
OR72014500-64	145.00	7.20	FKM	SIG-818
OR75014500-08	145.00	7.50	NBR	SIG-193
OR15014500-64	145.00	15.00	FKM	SIG-492
OR15014500-08	145.00	15.00	NBR	SIG-692
OR17814529-R1	145.29	1.78	FVMQ	SIF-905
OR17814529-32	145.29	1.78	EPDM	SIF-1081
OR17814529-O3	145.29	1.78	NBR	SIF-1134
OR53314542-64	145.42	5.33	FKM	SIG-401
OR53314542-08	145.42	5.33	NBR	SIG-201
OR69914542-08	145.42	6.99	NBR	SIG-164
OR69914542-64	145.42	6.99	FKM	SIG-533
OR35314547-08	145.47	3.53	NBR	SIG-485
OR22014550-08	145.50	2.20	NBR	SIF-883
OR24014560-08	145.60	2.40	NBR	SIG-797
OR35314560-64	145.60	3.53	FKM	SIG-852
OR35314564-64	145.64	3.53	FKM	SIG-618
OR35314564-08	145.64	3.53	NBR	SIG-167
OR35314564-08	145.64	3.53	NBR	SIG-592
OR83014570-06	145.70	8.30	NBR	SIG-646
OR26214572-66	145.72	2.62	FKM	SIG-441
OR26214572-08	145.72	2.62	NBR	SIG-317
OR26214572-43	145.72	2.62	VMQ	SIG-696
OR25014575-08	145.75	2.50	NBR	SIG-528
OR50814575-64	145.75	5.08	FKM	SIG-597
OR43214590-64	145.90	4.32	FKM	SIG-596
OR15014600-08	146.00	1.50	NBR	SIF-134
OR20014600-43	146.00	2.00	VMQ	SIF-693
OR20014600-08	146.00	2.00	NBR	SIF-176
OR25014600-64	146.00	2.50	FKM	SIG-869
OR30014600-08	146.00	3.00	NBR	SIG-593
OR32014600-08	146.00	3.20	NBR	SIG-333
OR32314600-64	146.00	3.23	FKM	SIG-695
OR35014600-11	146.00	3.50	NBR	SIG-480
OR35014600-08	146.00	3.50	NBR	SIG-537
OR45014600-08	146.00	4.50	NBR	SIG-173
OR50014600-64	146.00	5.00	FKM	SIG-504
OR50014600-32	146.00	5.00	EPDM	SIG-950
OR53314600-T4	146.00	5.33	EPDM	SIG-624
OR57014600-08	146.00	5.70	NBR	SIG-236

Part No.	d	c/s	Material	Mould No.
OR57014600-64	146.00	5.70	FKM	SIG-625
OR60014600-L5	146.00	6.00	PU	POD-128
OR60014600-08	146.00	6.00	NBR	SIG-487
OR64014600-08	146.00	6.40	NBR	SIG-133
OR65014600-D5	146.00	6.50	HNBR	SIG-932
OR70014600-08	146.00	7.00	NBR	SIG-115
OR75014600-64	146.00	7.50	FKM	SIG-518
OR80014600-08	146.00	8.00	NBR	SIG-107
OR31714605-64	146.05	3.17	FKM	SIG-364
OR47614605-64	146.05	4.76	FKM	SIG-694
OR53314605-64	146.05	5.33	FKM	SIG-713
OR63514605-08	146.05	6.35	NBR	SIG-565
OR30514605-D5	146.05	9.52	HNBR	SIG-993
OR12714605-08	146.05	12.70	NBR	SIG-778
OR60314637-08	146.37	6.03	NBR	SIG-807
OR35314650-43	146.50	3.53	VMQ	SIG-976
OR58014650-10	146.50	5.80	NBR	SIG-1001
OR20014700-08	147.00	2.00	NBR	SIG-479
OR20014700-64	147.00	2.00	FKM	SIG-678
OR25014700-08	147.00	2.50	NBR	SIG-224
OR31014700-64	147.00	3.10	FKM	SIG-690
OR35014700-08	147.00	3.50	NBR	SIG-705
OR40014700-08	147.00	4.00	NBR	SIG-730
OR50014700-08	147.00	5.00	NBR	SIG-268
OR53314700-64	147.00	5.33	FKM	SIG-505
OR60014700-10	147.00	6.00	NBR	SIG-166
OR60014700-05	147.00	6.00	NBR	SIG-569
OR65014700-08	147.00	6.50	NBR	SIG-151
OR65014700-64	147.00	6.50	FKM	SIG-507
OR70014700-64	147.00	7.00	FKM	SIG-437
OR35314742-D5	147.42	3.53	HNBR	SIG-949
OR25014750-64	147.50	2.50	FKM	SIG-817
OR25014750-32	147.50	2.50	EPDM	SIG-878
OR70014750-67	147.50	7.00	FKM	SIG-968
OR30014762-06	147.62	3.00	NBR	SIG-665
OR10014790-39	147.90	10.00	VMQ	SIG-595
OR14214800-08	148.00	1.42	NBR	SIG-957
OR20014800-08	148.00	2.00	NBR	SIG-259
OR20014800-64	148.00	2.00	FKM	SIG-554
OR20014800-08	148.00	2.00	NBR	SIG-941
OR26214800-64	148.00	2.62	FKM	SIG-349
OR30014800-06	148.00	3.00	NBR	SIG-354
OR30014800-08	148.00	3.00	NBR	SIG-534
OR32014800-64	148.00	3.20	FKM	SIG-947
OR35014800-08	148.00	3.50	NBR	SIG-260
OR35014800-64	148.00	3.50	FKM	SIG-466
OR35314800-D6	148.00	3.53	HNBR	SIG-418
OR40014800-64	148.00	4.00	FKM	SIG-619
OR40014800-08	148.00	4.00	NBR	SIG-238
OR45014800-08	148.00	4.50	NBR	SIG-128
OR45014800-66	148.00	4.50	FKM	SIG-860
OR52514800-66	148.00	5.25	FKM	SIG-707
OR53301480-08	148.00	5.33	NBR	SIG-749
OR55014800-08	148.00	5.50	NBR	SIG-213
OR55014800-08	148.00	5.50	NBR	SIG-632
OR55014800-64	148.00	5.50	FKM	SIG-699
OR55014800-32	148.00	5.50	EPDM	SIG-573
OR57514800-08	148.00	5.75	NBR	SIG-655
OR60014800-08	148.00	6.00	NBR	SIG-174
OR60014800-08	148.00	6.00	NBR	SIG-450
OR80014800-08	148.00	8.00	NBR	SIG-321
OR90014800-08	148.00	9.00	NBR	SIG-108
OR95014800-37	148.00	9.50	VMQ	SIG-365
OR10014800-08	148.00	10.00	NBR	SIG-653
OR12001480-45	148.00	12.00	VMQ	SIG-648
OR35014840-64	148.40	3.50	FKM	SIG-854
OR17814846-08	148.46	1.78	NBR	SIG-295
OR17814846-43	148.46	1.78	VMQ	SIG-879
OR55014849-T5	148.49	5.50	EPDM	SIG-930
OR30014850-43	148.50	3.00	VMQ	SIG-430
OR50014850-67	148.50	5.00	FKM	SIG-576
OR10514850-43	148.50	10.50	VMQ	SIG-898
OR53314859-64	148.59	5.33	FKM	SIG-232

Bold sizes are readily available in stock.
Other material are available on request.

Part No.	d	c/s	Material	Mould No.
OR53314859-08	148.59	5.33	NBR	SIG-142
OR69914859-08	148.59	6.99	NBR	SIG-181
OR69914859-64	148.59	6.99	FKM	SIG-568
OR57014860-08	148.60	5.70	NBR	SIG-792
OR32014870-08	148.70	3.20	NBR	SIG-237
OR95214871-08	148.71	9.52	NBR	SIG-658
OR37514875-08	148.75	3.75	NBR	SIG-980
OR26214876-08	148.76	2.62	NBR	SIG-921
OR20014880-D5	148.80	2.00	HNBR	SIG-431
OR26214882-L3	148.80	2.62	AFLAS	SIG-866
OR35314882-08	148.82	3.53	NBR	SIG-510
OR35314882-64	148.82	3.53	FKM	SIG-503
OR35314882-T2	148.82	3.53	VMQ	SIG-400
OR35314882-08	148.82	3.53	NBR	SIG-158
OR35314882-D6	148.82	3.53	HNBR	SIG-965
OR35014894-08	148.94	3.50	NBR	SIG-550
OR15014900-08	149.00	1.50	NBR	SIG-736
OR39014900-08	149.00	3.90	NBR	SIG-1000
OR42014900-08	149.00	4.20	NBR	SIG-514
OR43014900-08	149.00	4.30	NBR	SIG-305
OR45014900-64	149.00	4.50	FKM	SIG-615
OR50014900-08	149.00	5.00	NBR	SIG-489
OR53314900-D6	149.00	5.33	HNBR	SIG-413
OR55014900-08	149.00	5.50	NBR	SIG-150
OR55014900-64	149.00	5.50	FKM	SIG-629
OR57014900-66	149.00	5.70	FKM	SIG-464
OR60014900-08	149.00	6.00	NBR	SIG-182
OR60014900-64	149.00	6.00	FKM	SIG-680
OR65014900-08	149.00	6.50	NBR	SIG-589
OR69914900-67	149.00	6.99	FKM	SIG-744
OR80014900-64	149.00	8.00	FKM	SIG-456
OR84014900-10	149.00	8.40	NBR	SIG-838
OR53314920-10	149.20	5.33	NBR	SIG-472
OR57014920-08	149.20	5.70	NBR	SIG-735
OR48014923-66	149.23	4.80	FKM	SIG-868
OR57014930-09	149.30	5.70	NBR	SIG-220
OR57014930-64	149.30	5.70	FKM	SIG-264
OR57014930-08	149.30	5.70	NBR	SIG-470
OR63514930-64	149.30	6.35	FKM	SIG-299
OR30214938-08	149.38	3.02	NBR	SIG-603
OR54514945-08	149.45	5.45	NBR	SIG-583
OR53314950-D6	149.50	5.33	HNBR	SIG-415
OR55014950-64	149.50	5.50	FKM	SIG-940
OR10214960-42	149.60	10.20	VMQ	SIG-780
OR16015000-64	150.00	1.60	FKM	SIG-895
OR20015000-08	150.00	2.00	NBR	SIG-124
OR20015000-43	150.00	2.00	VMQ	SIG-942
OR25015000-64	150.00	2.50	FKM	SIG-498
OR25015000-08	150.00	2.50	NBR	SIG-308
OR26015000-08	150.00	2.60	NBR	SIG-539
OR27015000-08	150.00	2.70	NBR	SIG-771
OR30015000-08	150.00	3.00	NBR	SIG-186
OR30015000-43	150.00	3.00	VMQ	SIG-785
OR31015000-64	150.00	3.10	FKM	SIG-674
OR31015000-11	150.00	3.10	NBR	SIG-890
OR35015000-08	150.00	3.50	NBR	SIG-309
OR35015000-64	150.00	3.50	FKM	SIG-340
OR40015000-64	150.00	4.00	FKM	SIG-358
OR40015000-08	150.00	4.00	NBR	SIG-168
OR42015000-64	150.00	4.20	FKM	SIG-863
OR45015000-08	150.00	4.50	NBR	SIG-254
OR50015000-64	150.00	5.00	FKM	SIG-374
OR50015000-08	150.00	5.00	NBR	SIG-398
OR50015000-10	150.00	5.00	NBR	SIG-460
OR50015000-08	150.00	5.00	NBR	SIG-160
OR53315000-08	150.00	5.33	NBR	SIG-257
OR53315000-08	150.00	5.33	NBR	SIG-584
OR55015000-08	150.00	5.50	NBR	SIG-134
OR55015000-64	150.00	5.50	FKM	SIG-734
OR57015000-10	150.00	5.70	NBR	SIG-438
OR60015000-64	150.00	6.00	FKM	SIG-129
OR60015000-08	150.00	6.00	NBR	SIG-117
OR65015000-41	150.00	6.50	VMQ	SIG-579

Part No.	d	c/s	Material	Mould No.
OR65015000-P8	150.00	6.50	HNBR	SIG-558
OR69015000-41	150.00	6.90	VMQ	SIG-506
OR70015000-08	150.00	7.00	NBR	SIG-199
OR75015000-08	150.00	7.50	NBR	SIG-859
OR80015000-08	150.00	8.00	NBR	SIG-172
OR80015000-64	150.00	8.00	FKM	SIG-343
OR95015000-64	150.00	9.50	FKM	SIG-105
OR10015000-08	150.00	10.00	NBR	SIG-211
OR10015000-41	150.00	10.00	VMQ	SIG-549
OR12915000-06	150.00	12.90	NBR	SIH-562
OR15015000-08	150.00	15.00	NBR	SIH-246
OR17515000-08	150.00	17.50	NBR	SIH-812
OR30015000-08	150.00	30.00	NBR	SIJ-340
OR22915005-D5	150.05	2.29	HNBR	SIG-974
OR26215007-43	150.07	2.62	VMQ	SIG-557
OR52515050-66	150.50	5.25	FKM	SIG-846
OR53315060-08	150.60	5.33	NBR	SIG-567
OR53315060-08	150.60	5.33	NBR	SIG-587
OR38115073-64	150.73	3.81	FKM	SIG-598
OR40015080-08	150.80	4.00	NBR	SIG-202
OR47615082-08	150.82	4.76	NBR	SIG-990
OR32015090-64	150.90	3.20	FKM	SIG-837
OR30015100-10	151.00	3.00	NBR	SIG-130
OR35015100-64	151.00	3.50	FKM	SIG-721
OR50015100-08	151.00	5.00	NBR	SIG-577
OR55015100-08	151.00	5.50	NBR	SIG-664
OR55015100-64	151.00	5.50	FKM	SIG-733
OR60015100-08	151.00	6.00	NBR	SIG-114
OR65015100-08	151.00	6.50	NBR	SIG-143
OR13015100-08	151.00	13.00	NBR	SIH-113
OR45215106-08	151.06	4.52	NBR	SIG-800
OR17815146-08	151.46	1.78	NBR	SIG-544
OR24015150-43	151.50	2.40	VMQ	SIG-787
OR25015150-D5	151.50	2.50	HNBR	SIG-831
OR57515150-08	151.50	5.75	NBR	SIG-454
OR15015150-10	151.50	15.00	NBR	SIH-725
OR17815164-32	151.64	1.78	EPDM	SIG-836
OR17815164-43	151.64	1.78	VMQ	SIG-874
OR53315177-64	151.77	5.33	FKM	SIG-444
OR53315177-08	151.77	5.33	NBR	SIG-304
OR53315177-20	151.77	5.33	CR	SIG-839
OR69915177-08	151.77	6.99	NBR	SIG-292
OR35315199-08	151.99	3.53	NBR	SIG-319
OR35315199-08	151.99	3.53	NBR	SIG-369
OR35315199-D6	151.99	3.53	HNBR	SIG-419
OR35315199-64	151.99	3.53	FKM	SIG-402
OR35315199-64	151.99	3.53	FKM	SIG-483
OR15015200-64	152.00	1.50	FKM	SIG-961
OR20015200-08	152.00	2.00	NBR	SIG-661
OR20015200-D5	152.00	2.00	HNBR	SIG-435
OR25015200-08	152.00	2.50	NBR	SIG-631
OR28015200-08	152.00	2.80	NBR	SIG-757
OR30015200-08	152.00	3.00	NBR	SIG-362
OR30015200-08	152.00	3.00	NBR	SIG-297
OR30015200-43	152.00	3.00	VMQ	SIG-605
OR30001520-08	152.00	3.00	FKM	SIG-727
OR31015200-64	152.00	3.10	FKM	SIG-532
OR35015200-D6	152.00	3.50	HNBR	SIG-417
OR35315199-64	152.00	3.50	FKM	SIG-140
OR35315200-11	152.00	3.53	NBR	SIG-491
OR40015200-05	152.00	4.00	NBR	SIG-693
OR40015200-43	152.00	4.00	VMQ	SIG-872
OR40015200-08	152.00	4.00	NBR	SIG-235
OR45015200-08	152.00	4.50	NBR	SIG-594
OR45015200-32	152.00	4.50	EPDM	SIG-966
OR50015200-08	152.00	5.00	NBR	SIG-102
OR50015200-64	152.00	5.00	FKM	SIG-581
OR53315200-08	152.00	5.33	FKM	SIG-588
OR60015200-L5	152.00	6.00	PU	POD-130
OR65015200-08	152.00	6.50	NBR	SIG-162
OR65015200-67	152.00	6.50	FKM	SIG-762
OR68015200-07	152.00	6.80	NBR	SIG-344
OR70015200-08	152.00	7.00	NBR	SIG-137

Bold sizes are readily available in stock.
 Other material are available on request.

Part No.	d	c/s	Material	Mould No.
OR70015200-08	152.00	7.00	FKM	SIG-586
OR70015200-64	152.00	7.00	FKM	SIG-911
OR75015200-64	152.00	7.50	FKM	SIG-386
OR80015200-08	152.00	8.00	NBR	SIG-870
OR23815205-08	152.05	2.38	NBR	SIG-900
OR26215207-32	152.07	2.62	EPDM	SIG-621
OR26215207-08	152.07	2.62	NBR	SIG-302
OR26215207-D6	152.07	2.62	HNBR	SIG-840
OR26215207-43	152.07	2.62	VMQ	SIG-945
OR35315207-D5	152.07	3.53	HNBR	SIG-501
OR17815212-08	152.12	1.78	NBR	SIG-952
OR22815240-10	152.40	2.28	NBR	SIG-962
OR23815240-32	152.40	2.38	EPDM	SIG-637
OR31715240-32	152.40	3.17	EPDM	SIG-388
OR32015240-08	152.40	3.20	NBR	SIG-136
OR35315240-08	152.40	3.53	NBR	SIG-409
OR36015240-64	152.40	3.60	FKM	SIG-673
OR47615240-32	152.40	4.76	EPDM	SIG-638
OR63515240-08	152.40	6.35	NBR	SIG-992
OR67515240-08	152.40	6.75	NBR	SIG-239
OR69915240-64	152.40	6.99	FKM	SIG-571
OR95215240-08	152.40	9.52	NBR	SIG-850
OR19051524-06	152.40	19.05	NBR	SIH-658
OR25015250-64	152.50	2.50	FKM	SIG-701
OR26215250-64	152.50	2.62	FKM	SIG-455
OR55015250-08	152.50	5.50	NBR	SIG-110
OR30215255-O3	152.55	3.02	NBR	SIG-738
OR24515260-11	152.60	2.45	NBR	SIG-626
OR30015270-66	152.70	3.00	FKM	SIG-463
OR20015300-08	153.00	2.00	NBR	SIG-885
OR24015300-67	153.00	2.40	FKM	SIG-627
OR26215300-64	153.00	2.62	FKM	SIG-891
OR32015300-08	153.00	3.20	NBR	SIG-790
OR35015300-D6	153.00	3.50	HNBR	SIG-416
OR40015300-08	153.00	4.00	NBR	SIG-256
OR40015300-64	153.00	4.00	FKM	SIG-610
OR45015300-67	153.00	4.50	FKM	SIG-796
OR60015300-64	153.00	6.00	FKM	SIG-383
OR60015300-R1	153.00	6.00	NBR	SIG-477
OR60015300-08	153.00	6.00	NBR	SIG-196
OR60015300-43	153.00	6.00	VMQ	SIG-601
OR70015300-08	153.00	7.00	NBR	SIG-157
OR70015300-34	153.00	7.00	EPDM	SIG-531
OR75015300-08	153.00	7.50	NBR	SIG-835
OR84015300-08	153.00	8.40	NBR	SIG-944
OR12015300-64	153.00	12.00	FKM	SIH-488
OR12015300-08	153.00	12.00	NBR	SIH-393
OR45015322-08	153.22	4.50	NBR	SIG-682
OR35015338-08	153.38	3.50	NBR	SIG-669
OR50015340-08	153.40	5.00	NBR	SIG-443
OR42015350-06	153.50	4.20	NBR	SIG-457
OR40015360-66	153.60	4.00	FKM	SIG-120
OR37515375-08	153.75	3.75	NBR	SIG-979
OR85015380-06	153.80	8.50	NBR	SIG-545
OR47715399-08	153.99	4.77	NBR	SIG-988
OR20015400-43	154.00	2.00	VMQ	SIG-756
OR25015400-06	154.00	2.50	NBR	SIG-623
OR26215400-64	154.00	2.62	FKM	SIG-440
OR26215400-08	154.00	2.62	NBR	SIG-812
OR30015400-08	154.00	3.00	NBR	SIG-459
OR35015400-08	154.00	3.50	NBR	SIG-995
OR38015400-64	154.00	3.80	FKM	SIG-849
OR40015400-64	154.00	4.00	FKM	SIG-798
OR40015400-08	154.00	4.00	NBR	SIG-823
OR41015400-65	154.00	4.10	FKM	SIG-919
OR41015400-09	154.00	4.10	NBR	SIG-920
OR53015400-08	154.00	5.30	NBR	SIG-392
OR53315400-08	154.00	5.33	NBR	SIG-251
OR60015400-64	154.00	6.00	FKM	SIG-858
OR65015400-08	154.00	6.50	NBR	SIG-546
OR69915400-08	154.00	6.99	NBR	SIG-209
OR80015400-08	154.00	8.00	NBR	SIG-527
OR50015410-08	154.10	5.00	NBR	SIG-960

Part No.	d	c/s	Material	Mould No.
OR58015410-20	154.10	5.80	CR	SIG-873
OR57015420-10	154.20	5.70	NBR	SIG-312
OR20015430-08	154.30	2.00	NBR	SIG-367
OR57001543-R1	154.30	5.70	FVMQ	SIG-861
OR30015450-64	154.50	3.00	FKM	SIG-356
OR30015450-08	154.50	3.00	NBR	SIG-602
OR30015450-R1	154.50	3.00	FVMQ	SIG-899
OR31015450-64	154.50	3.10	FKM	SIG-342
OR40015450-08	154.50	4.00	NBR	SIG-396
OR60015450-08	154.50	6.00	NBR	SIG-138
OR80015450-08	154.50	8.00	NBR	SIG-119
OR84015450-64	154.50	8.40	FKM	SIG-387
OR26515470-64	154.70	2.65	FKM	SIG-969
OR53315470-08	154.70	5.33	NBR	SIG-917
OR17815481-43	154.81	1.78	VMQ	SIG-806
OR20015490-08	154.90	2.00	NBR	SIG-718
OR53315494-64	154.94	5.33	FKM	SIG-599
OR15015500-08	155.00	1.50	NBR	SIG-478
OR20015500-S8	155.00	2.00	NBR	SIG-776
OR25015500-08	155.00	2.50	NBR	SIG-684
OR30015500-08	155.00	3.00	NBR	SIG-113
OR35015500-34	155.00	3.50	EPDM	SIG-258
OR35015500-08	155.00	3.50	PU	SIG-449
OR35015500-08	155.00	3.50	NBR	SIG-914
OR35515500-11	155.00	3.55	NBR	SIG-429
OR35515500-66	155.00	3.55	FKM	SIG-473
OR40015500-S5	155.00	4.00	FKM	SIG-363
OR40015500-08	155.00	4.00	NBR	SIG-313
OR40015500-08	155.00	4.00	NBR	SIG-184
OR40015500-N8	155.00	4.00	NBR	SIG-535
OR40015500-L3	155.00	4.00	AFLAS	SIG-906
OR40015500-T5	155.00	4.00	EPDM	SIG-951
OR50015500-08	155.00	5.00	NBR	SIG-149
OR50015500-64	155.00	5.00	FKM	SIG-433
OR50015500-64	155.00	5.00	FKM	SIG-566
OR53015500-08	155.00	5.30	NBR	SIG-741
OR55015500-08	155.00	5.50	NBR	SIG-432
OR55015500-64	155.00	5.50	FKM	SIG-634
OR57015500-08	155.00	5.70	NBR	SIG-743
OR60015500-64	155.00	6.00	FKM	SIG-622
OR60015500-40	155.00	6.00	VMQ	SIG-877
OR75015500-11	155.00	7.50	NBR	SIG-649
OR75015500-43	155.00	7.50	VMQ	SIG-676
OR93015500-06	155.00	9.30	NBR	SIG-611
OR96515500-06	155.00	9.65	NBR	SIG-607
OR10015500-43	155.00	10.00	VMQ	SIG-247
OR14015500-08	155.00	14.00	NBR	SIH-255
OR35015525-D5	155.25	3.50	HNBR	SIG-502
OR35315534-64	155.34	3.53	FKM	SIG-351
OR47715542-08	155.42	4.77	NBR	SIG-794
OR70015560-64	155.60	7.00	FKM	SIG-360
OR24015570-64	155.70	2.40	FKM	SIG-759
OR30215573-08	155.73	3.02	NBR	SIG-801
OR26215576-08	155.76	2.62	NBR	SIG-335
OR20015600-20	156.00	2.00	CR	SIG-442
OR20015600-66	156.00	2.00	FKM	SIG-788
OR25015600-08	156.00	2.50	NBR	SIG-641
OR25015600-64	156.00	2.50	FKM	SIG-816
OR30015600-08	156.00	3.00	NBR	SIG-524
OR30015600-43	156.00	3.00	VMQ	SIG-606
OR35015600-08	156.00	3.50	NBR	SIG-529
OR35015600-64	156.00	3.50	FKM	SIG-770
OR35315600-10	156.00	3.53	NBR	SIG-410
OR40015600-D5	156.00	4.00	HNBR	SIG-423
OR45015600-08	156.00	4.50	NBR	SIG-126
OR70015600-08	156.00	7.00	NBR	SIG-306
OR70015600-38	156.00	7.00	VMQ	SIG-908
OR80015600-41	156.00	8.00	VMQ	SIG-451
OR80015600-08	156.00	8.00	NBR	SIG-462
OR85015600-08	156.00	8.50	NBR	SIG-703
OR10015600-34	156.00	10.00	EPDM	SIH-470
OR10015600-67	156.00	10.00	FKM	SIH-594
OR10915600-06	156.00	10.90	NBR	SIH-381

Bold sizes are readily available in stock.
Other material are available on request.

Part No.	d	c/s	Material	Mould No.
OR39715637-08	156.37	3.97	NBR	SIG-991
OR79215638-D5	156.38	7.92	HNBR	SIG-750
OR79215639-08	156.39	7.92	NBR	SIG-635
OR41015650-09	156.50	4.10	NBR	SIG-781
OR50015650-08	156.50	5.00	NBR	SIG-116
OR53315650-64	156.50	5.33	FKM	SIG-328
OR37715657-08	156.57	3.77	NBR	SIG-802
OR40015660-08	156.60	4.00	NBR	SIG-590
OR27015680-08	156.80	2.70	NBR	SIG-523
OR50015680-11	156.80	5.00	NBR	SIG-841
OR15015700-08	157.00	1.50	NBR	SIG-511
OR20015700-64	157.00	2.00	FKM	SIG-651
OR30015700-08	157.00	3.00	NBR	SIG-482
OR30015700-43	157.00	3.00	VMQ	SIG-341
OR35015700-64	157.00	3.50	FKM	SIG-222
OR40015700-V2	157.00	4.00	NBR	SIG-758
OR55015700-67	157.00	5.50	FKM	SIG-751
OR57015700-66	157.00	5.70	FKM	SIG-826
OR65015700-08	157.00	6.50	NBR	SIG-393
OR80015700-20	157.00	8.00	CR	SIG-795
OR39015714-D5	157.14	3.90	HNBR	SIG-516
OR47615717-08	157.17	4.76	NBR	SIG-989
OR57015720-11	157.20	5.70	NBR	SIG-772
OR60015730-08	157.30	6.00	NBR	SIG-404
OR45715736-D5	157.36	4.57	HNBR	SIG-915
OR45215741-08	157.41	4.52	NBR	SIG-805
OR10015750-08	157.50	1.00	NBR	SIG-929
OR68015750-64	157.50	6.80	FKM	SIG-723
OR75015750-64	157.50	7.50	FKM	SIG-722
OR95215798-08	157.98	9.52	NBR	SIH-544
OR10015800-32	158.00	1.00	EPDM	SIG-715
OR15015800-08	158.00	1.50	NBR	SIG-375
OR16215800-08	158.00	1.62	NBR	SIG-897
OR20015800-08	158.00	2.00	NBR	SIG-384
OR20015800-18	158.00	2.00	CR	SIG-784
OR25015800-08	158.00	2.50	NBR	SIG-820
OR30015800-64	158.00	3.00	FKM	SIG-508
OR31015800-66	158.00	3.10	FKM	SIG-881
OR31515800-64	158.00	3.15	FKM	SIG-465
OR35015800-08	158.00	3.50	NBR	SIG-553
OR40015800-64	158.00	4.00	FKM	SIG-675
OR42015800-66	158.00	4.20	FKM	SIG-937
OR50015800-D5	158.00	5.00	HNBR	SIG-414
OR50015800-08	158.00	5.00	NBR	SIG-348
OR50015800-64	158.00	5.00	FKM	SIG-793
OR60015800-04	158.00	6.00	NBR	SIG-334
OR60015800-64	158.00	6.00	FKM	SIG-426
OR75015800-64	158.00	7.50	FKM	SIG-862
OR84001580-08	158.00	8.40	NBR	SIG-732
OR12015800-08	158.00	12.00	NBR	SIH-161
OR15015800-06	158.00	15.00	NBR	SIH-321
OR70015810-06	158.10	7.00	NBR	SIG-644
OR53315812-08	158.12	5.33	NBR	SIG-187
OR53315812-64	158.12	5.33	FKM	SIG-408
OR53315812-R1	158.12	5.33	FVMQ	SIG-683
OR53315812-T5	158.12	5.33	EPDM	SIG-845
OR69915812-08	158.12	6.99	NBR	SIG-185
OR69915812-S4	158.12	6.99	HNBR	SIG-767
OR69915812-64	158.12	6.99	FKM	SIG-905
OR35315834-64	158.34	3.53	FKM	SIG-453
OR35315834-08	158.34	3.53	NBR	SIG-379
OR35315834-64	158.34	3.53	FKM	SIG-777
OR35315834-20	158.34	3.53	CR	SIG-855
OR35315834-D6	158.34	3.53	HNBR	SIG-964
OR38015834-08	158.34	3.80	NBR	SIG-844
OR45015834-08	158.34	4.50	NBR	SIG-724
OR35315832-59	158.35	3.53	PU	POD-159
OR35315832-89	158.35	3.53	PU	POD-160
OR17815838-08	158.38	1.78	NBR	SIG-271
OR26015842-64	158.42	2.60	FKM	SIG-389
OR26215842-08	158.42	2.62	NBR	SIG-244
OR35015844-08	158.44	3.50	NBR	SIG-884
OR38515850-65	158.50	3.85	FKM	SIG-609

Part No.	d	c/s	Material	Mould No.
OR70015850-08	158.50	7.00	NBR	SIG-178
OR95015870-08	158.70	9.50	NBR	SIH-123
OR23815875-64	158.75	2.38	FKM	SIG-543
OR32015875-08	158.75	3.20	NBR	SIG-233
OR37515875-08	158.75	3.75	NBR	SIG-983
OR48015875-08	158.75	4.80	NBR	SIG-223
OR63515875-08	158.75	6.35	NBR	SIG-647
OR35015880-08	158.80	3.50	NBR	SIG-155
OR48015880-67	158.80	4.80	FKM	SIG-691
OR40015900-08	159.00	4.00	NBR	SIG-175
OR55015900-64	159.00	5.50	FKM	SIG-628
OR69915900-43	159.00	6.99	VMQ	SIG-857
OR80015900-43	159.00	8.00	VMQ	SIG-856
OR10015900-S8	159.00	10.00	NBR	SIH-444
OR60315907-08	159.07	6.03	NBR	SIG-810
OR27515927-64	159.27	2.75	FKM	SIG-500
OR57015930-08	159.30	5.70	NBR	SIG-263
OR57015930-37	159.30	5.70	VMQ	SIG-540
OR57015930-64	159.30	5.70	FKM	SIG-904
OR35315934-64	159.34	3.53	FKM	SIG-538
OR30015950-62	159.50	3.00	FKM	SIG-761
OR84015950-43	159.50	8.40	VMQ	SIH-401
OR84015950-64	159.50	8.40	FKM	SIH-747
OR39715955-08	159.55	3.97	NBR	SIG-985
OR30015950-R1	159.56	3.00	FVMQ	SIG-742
OR20515979-64	159.79	2.05	FKM	SIG-617
OR20515979-64	159.79	2.05	FKM	SIG-616
OR65016000-64	160.00	6.50	FKM	SIH-127
OR20016000-08	160.00	2.00	NBR	SIG-265
OR25016000-08	160.00	2.50	NBR	SIG-307
OR25016000-66	160.00	2.50	FKM	SIG-773
OR26516000-08	160.00	2.65	NBR	SIG-445
OR30016000-64	160.00	3.00	FKM	SIG-448
OR30016000-08	160.00	3.00	NBR	SIG-179
OR30016000-59	160.00	3.00	PU	POD-151
OR30016000-20	160.00	3.00	CR	SIG-875
OR31016000-11	160.00	3.10	NBR	SIG-889
OR32016000-59	160.00	3.20	PU	POD-136
OR32516000-10	160.00	3.25	NBR	SIG-373
OR35016000-L5	160.00	3.50	PU	POD-158
OR35516000-08	160.00	3.55	NBR	SIG-261
OR40016000-64	160.00	4.00	FKM	SIG-139
OR40016000-08	160.00	4.00	NBR	SIG-121
OR45016000-08	160.00	4.50	NBR	SIG-353
OR45016000-64	160.00	4.50	FKM	SIG-821
OR50016000-64	160.00	5.00	FKM	SIG-315
OR50016000-08	160.00	5.00	NBR	SIG-203
OR53016000-08	160.00	5.30	NBR	SIG-285
OR53316000-64	160.00	5.33	FKM	SIG-834
OR55016000-08	160.00	5.50	NBR	SIG-330
OR55016000-43	160.00	5.50	VMQ	SIG-926
OR57016000-64	160.00	5.70	FKM	SIG-395
OR57016000-11	160.00	5.70	NBR	SIG-337
OR57016000-08	160.00	5.70	NBR	SIG-819
OR60016000-67	160.00	6.00	FKM	SIG-654
OR60016000-08	160.00	6.00	NBR	SIG-161
OR70016000-26	160.00	7.00	EPDM	SIG-698
OR70016000-08	160.00	7.00	NBR	SIG-828
OR70016000-08	160.00	7.00	NBR	SIG-825
OR75016000-08	160.00	7.50	NBR	SIG-229
OR78016000-64	160.00	7.80	FKM	SIH-849
OR80016000-08	160.00	8.00	NBR	SIH-235
OR85016000-08	160.00	8.50	NBR	SIH-250
OR85016000-43	160.00	8.50	VMQ	SIH-655
OR90016000-08	160.00	9.00	NBR	SIH-140
OR10016000-08	160.00	10.00	NBR	SIH-183
OR10016000-S9	160.00	10.00	VMQ	SIH-604
OR13016000-10	160.00	13.00	NBR	SIH-673
OR69916030-08	160.30	6.99	NBR	SIG-481
OR35316100-S5	161.00	3.53	FKM	SIG-702
OR47516100-32	161.00	4.75	EPDM	SIG-765
OR50016100-64	161.00	5.00	FKM	SIG-886
OR55016100-64	161.00	5.50	FKM	SIG-903

Bold sizes are readily available in stock.
 Other material are available on request.

Part No.	d	c/s	Material	Mould No.
OR70016100-08	161.00	7.00	NBR	SIG-217
OR70016100-64	161.00	7.00	FKM	SIG-939
OR75016100-64	161.00	7.50	FKM	SIH-668
OR80016100-08	161.00	8.00	NBR	SIH-210
OR17816116-32	161.16	1.78	EPDM	SIG-700
OR17816116-D5	161.16	1.78	HNBR	SIG-923
OR22616125-64	161.25	2.26	FKM	SIG-679
OR53316129-N8	161.29	5.33	NBR	SIG-378
OR30016150-08	161.50	3.00	NBR	SIG-245
OR50016150-T3	161.50	5.00	EPDM	SIG-814
OR53316150-08	161.50	5.33	NBR	SIG-411
OR27416157-64	161.57	2.74	FKM	SIG-851
OR10016189-08	161.89	10.00	NBR	SIH-728
OR70016190-08	161.90	7.00	NBR	SIH-463
OR35316192-64	161.92	3.53	FKM	SIG-928
OR53316192-64	161.92	5.33	FKM	SIG-191
OR69916193-64	161.93	6.99	FKM	SIH-551
OR10016200-43	162.00	1.00	VMQ	SIG-894
OR15016200-08	162.00	1.50	NBR	SIG-382
OR20016200-10	162.00	2.00	NBR	SIG-422
OR20016200-08	162.00	2.00	NBR	SIG-681
OR26216200-08	162.00	2.62	NBR	SIG-711
OR30016200-64	162.00	3.00	FKM	SIG-670
OR30016200-08	162.00	3.00	NBR	SIG-434
OR30016200-43	162.00	3.00	VMQ	SIG-822
OR30016200-32	162.00	3.00	EPDM	SIG-999
OR32016200-08	162.00	3.20	NBR	SIG-913
OR35016200-08	162.00	3.50	NBR	SIG-219
OR35316200-64	162.00	3.53	FKM	SIG-488
OR40016200-08	162.00	4.00	NBR	SIG-276
OR40016200-64	162.00	4.00	FKM	SIG-720
OR42016200-08	162.00	4.20	NBR	SIG-975
OR50016200-64	162.00	5.00	FKM	SIG-497
OR50016200-08	162.00	5.00	NBR	SIG-943
OR55016200-67	162.00	5.50	FKM	SIG-745
OR60016200-08	162.00	6.00	NBR	SIG-662
OR65016200-08	162.00	6.50	NBR	SIG-786
OR70016200	162.00	7.00	NBR	SIH-134
OR72516200-08	162.00	7.25	NBR	SIH-152
OR80016200-08	162.00	8.00	NBR	SIH-567
OR80016200-64	162.00	8.00	FKM	SIH-647
OR56416205-30	162.05	5.64	EPDM	SIG-490
OR30216208-08	162.08	3.02	NBR	SIG-809
OR26516250-08	162.50	2.65	NBR	SIG-799
OR30016250-43	162.50	3.00	VMQ	SIG-737
OR55016250-67	162.50	5.50	FKM	SIG-752
OR85016250-64	162.50	8.50	FKM	SIH-832
OR35316294-D5	162.94	3.53	HNBR	SIG-933
OR20016300-64	163.00	2.00	FKM	SIG-118
OR20016300-D5	163.00	2.00	HNBR	SIG-728
OR25016300-08	163.00	2.50	NBR	SIG-591
OR25016300-64	163.00	2.50	FKM	SIG-769
OR28016300-08	163.00	2.80	NBR	SIG-746
OR35016300-08	163.00	3.50	NBR	SIG-200
OR35016300-D6	163.00	3.50	HNBR	SIG-948
OR40016300-D6	163.00	4.00	HNBR	SIG-972
OR50016300-08	163.00	5.00	NBR	SIG-580
OR50016300-T2	163.00	5.00	VMQ	SIG-909
OR55016300-64	163.00	5.50	FKM	SIG-768
OR60016300-64	163.00	6.00	FKM	SIH-471
OR70016300-67	163.00	7.00	FKM	SIH-648
OR16516300-08	163.00	16.50	NBR	SIH-777
OR50016330-D5	163.30	5.00	HNBR	SIG-420
OR35016350-87	163.50	3.50	PU	POD-153
OR55016350-08	163.50	5.50	NBR	SIG-249
OR64016350-08	163.50	6.40	NBR	SIH-117
OR35616370-64	163.70	3.56	FKM	SIG-709
OR43216370-64	163.70	4.32	FKM	SIG-600
OR86016370-08	163.70	8.60	NBR	SIH-261
OR45716371-D5	163.71	4.57	HNBR	SIG-994
OR37516375-08	163.75	3.75	NBR	SIG-981
OR45316375-32	163.75	4.53	EPDM	SIG-526
OR45316375-08	163.75	4.53	NBR	SIG-560

Part No.	d	c/s	Material	Mould No.
OR31016380-64	163.80	3.10	FKM	SIG-815
OR45016380-18	163.80	4.50	CR	SIG-833
OR35016386-08	163.86	3.50	NBR	SIG-555
OR30016400-08	164.00	3.00	NBR	SIG-127
OR35016400-64	164.00	3.50	FKM	SIG-708
OR38016400-17	164.00	3.80	CR	SIG-381
OR40016400-66	164.00	4.00	FKM	SIG-468
OR40016400	164.00	4.00	NBR	SIG-183
OR55016400-67	164.00	5.50	FKM	SIG-747
OR57016400-11	164.00	5.70	NBR	SIH-208
OR60016400-64	164.00	6.00	FKM	SIH-156
OR60016400-08	164.00	6.00	NBR	SIH-135
OR80016400-87	164.00	8.00	PU	POD-120
OR80016400-08	164.00	8.00	NBR	SIH-270
OR80016400-L5	164.00	8.00	PU	POD-157
OR90016400-08	164.00	9.00	NBR	SIH-810
OR10016400-R1	164.00	10.00	FVMQ	SIH-807
OR10016400-64	164.00	10.00	FKM	SIH-745
OR11016400-08	164.00	11.00	NBR	SIH-837
OR19016400-08	164.00	19.00	NBR	SIJ-717
OR84016410-64	164.10	8.40	FKM	SIH-688
OR84016410-06	164.10	8.40	NBR	SIH-824
OR57016420-08	164.20	5.70	NBR	SIH-638
OR57016430-64	164.30	5.70	FKM	SIH-279
OR57016430-R1	164.30	5.70	FVMQ	SIH-701
OR53316447-64	164.47	5.33	FKM	SIH-303
OR53316447-45	164.47	5.33	VMQ	SIH-342
OR53316447-08	164.47	5.33	NBR	SIH-219
OR69916447-43	164.47	6.99	VMQ	SIH-308
OR69916447-08	164.47	6.99	NBR	SIH-147
OR69916447-S4	164.47	6.99	HNBR	SIH-649
OR69916447-66	164.47	6.99	FKM	SIH-814
OR75016447-64	164.47	7.50	FKM	SIH-553
OR30016450-08	164.50	3.00	NBR	SIG-397
OR31516450-32	164.50	3.15	EPDM	SIG-925
OR37016450-08	164.50	3.70	NBR	SIG-813
OR60016450-64	164.50	6.00	FKM	SIH-349
OR60016450-34	164.50	6.00	EPDM	SIH-752
OR70016450-34	164.50	7.00	EPDM	SIH-298
OR70016450-66	164.50	7.00	FKM	SIH-302
OR84016450-08	164.50	8.40	NBR	SIH-189
OR35316460-64	164.60	3.53	FKM	SIG-717
OR35316469-64	164.69	3.53	FKM	SIG-357
OR35316469-08	164.69	3.53	NBR	SIG-228
OR35316469-20	164.69	3.53	CR	SIG-867
OR23816477-08	164.77	2.38	NBR	SIG-901
OR26216477-08	164.77	2.62	NBR	SIG-280
OR26216477-64	164.77	2.62	FKM	SIG-427
OR68016480-08	164.80	6.80	NBR	SIH-213
OR20016500-08	165.00	2.00	NBR	SIG-963
OR25016500-23	165.00	2.50	CR	SIG-515
OR25016500-43	165.00	2.50	VMQ	SIG-484
OR25016500-08	165.00	2.50	NBR	SIG-766
OR30016500-08	165.00	3.00	NBR	SIG-103
OR30016500-64	165.00	3.00	FKM	SIG-536
OR33016500-08	165.00	3.30	NBR	SIG-783
OR34016500-08	165.00	3.40	NBR	SIG-513
OR35016500-04	165.00	3.50	NBR	SIG-452
OR35316500-64	165.00	3.53	FKM	SIG-938
OR40016500-08	165.00	4.00	NBR	SIG-346
OR40016500-64	165.00	4.00	FKM	SIG-685
OR45001650-08	165.00	4.50	NBR	SIG-748
OR50016500-64	165.00	5.00	FKM	SIG-372
OR50016500-08	165.00	5.00	NBR	SIG-132
OR50016500-T3	165.00	5.00	EPDM	SIG-830
OR50016500-D7	165.00	5.00	HNBR	SIG-883
OR53316500-08	165.00	5.33	NBR	SIH-346
OR55016500-10	165.00	5.50	NBR	SIH-345
OR55016500-08	165.00	5.50	NBR	SIH-450
OR55016500-08	165.00	5.50	NBR	SIH-172
OR55016500-64	165.00	5.50	FKM	SIH-501
OR60016500-43	165.00	6.00	VMQ	SIH-581
OR60016500-08	165.00	6.00	NBR	SIH-755

Bold sizes are readily available in stock.
Other material are available on request.

Part No.	d	c/s	Material	Mould No.
OR65016500-64	165.00	6.50	FKM	SIH-439
OR65016500-08	165.00	6.50	NBR	SIH-104
OR70016500-08	165.00	7.00	NBR	SIH-170
OR70016500-08	165.00	7.00	NBR	SIH-105
OR75016500-08	165.00	7.50	NBR	SIH-307
OR80016500-64	165.00	8.00	FKM	SIH-306
OR80016500-08	165.00	8.00	NBR	SIH-632
OR85016500-64	165.00	8.50	FKM	SIH-767
OR85016500-11	165.00	8.50	NBR	SIH-811
OR10016500-08	165.00	10.00	NBR	SIH-579
OR13016500-08	165.00	13.00	NBR	SIH-770
OR17816510-R1	165.10	1.78	FVMQ	SIG-931
OR31716510-64	165.10	3.17	FKM	SIG-366
OR31716510-08	165.10	3.17	NBR	SIG-428
OR47616510-32	165.10	4.76	EPDM	SIG-639
OR53316510-64	165.10	5.33	FKM	SIH-674
OR53316510-34	165.10	5.33	EPDM	SIH-711
OR63016510-08	165.10	6.30	NBR	SIH-150
OR63516510-08	165.10	6.35	NBR	SIH-409
OR95016510-08	165.10	9.50	NBR	SIH-187
OR60316542-32	165.42	6.03	EPDM	SIH-468
OR60316542-08	165.42	6.03	EPDM	SIH-506
OR28016550-08	165.50	2.80	EPDM	SIG-774
OR50816565-64	165.65	5.08	FKM	SIH-603
OR10016590-35	165.90	10.00	EPDM	SIH-419
OR16016600-64	166.00	1.60	FKM	SIG-896
OR18016600-20	166.00	1.80	CR	SIG-439
OR30016600-08	166.00	3.00	NBR	SIG-376
OR30016600-20	166.00	3.00	CR	SIG-843
OR40016600-08	166.00	4.00	NBR	SIG-218
OR40016600-20	166.00	4.00	CR	SIG-902
OR41016600-10	166.00	4.10	NBR	SIG-997
OR55016600-64	166.00	5.50	FKM	SIH-608
OR60016600-08	166.00	6.00	NBR	SIH-379
OR60016600-64	166.00	6.00	FKM	SIH-664
OR65016600-64	166.00	6.50	FKM	SIH-411
OR69916600-11	166.00	6.99	NBR	SIH-142
OR70016600-08	166.00	7.00	FKM	SIH-332
OR70016600-64	166.00	7.00	FKM	SIH-257
OR85016600-08	166.00	8.50	NBR	SIH-474
OR90016600-06	166.00	9.00	NBR	SIH-515
OR80016650-20	166.50	8.00	CR	SIH-188
OR19016660-08	166.60	19.00	NBR	SIJ-716
OR15016700-04	167.00	1.50	NBR	SIG-967
OR30016700-08	167.00	3.00	NBR	SIG-385
OR30016700-64	167.00	3.00	FKM	SIG-338
OR35016700-64	167.00	3.50	FKM	SIG-165
OR35016700-08	167.00	3.50	NBR	SIG-729
OR35316700-T2	167.00	3.53	VMQ	SIG-754
OR40016700-64	167.00	4.00	FKM	SIG-327
OR45016700-08	167.00	4.50	NBR	SIH-576
OR50016700-T5	167.00	5.00	EPDM	SIH-568
OR50016700-08	167.00	5.00	NBR	SIH-108
OR57016700-16	167.00	5.70	CR	SIH-344
OR57016700-66	167.00	5.70	FKM	SIH-729
OR58016700-08	167.00	5.80	NBR	SIH-280
OR60016700-08	167.00	6.00	NBR	SIH-154
OR65016700-08	167.00	6.50	NBR	SIH-196
OR80016700-08	167.00	8.00	NBR	SIH-395
OR50016750-64	167.50	5.00	FKM	SIH-519
OR17816751-64	167.51	1.78	FKM	SIG-916
OR53316764-CM	167.64	5.33	FKM	SIH-699
OR35016795-D5	167.95	3.50	HNBR	SIG-829
OR14216800-08	168.00	1.42	NBR	SIG-956
OR20016800-08	168.00	2.00	NBR	SIG-659
OR25016800-08	168.00	2.50	NBR	SIG-660
OR26216800-64	168.00	2.62	FKM	SIG-645
OR26216800-08	168.00	2.62	NBR	SIG-689
OR27016800-08	168.00	2.70	NBR	SIG-563
OR30016800-08	168.00	3.00	NBR	SIG-447
OR35016800-D5	168.00	3.50	HNBR	SIH-435
OR40016800-64	168.00	4.00	FKM	SIH-682
OR40016800-08	168.00	4.00	NBR	SIH-656

Part No.	d	c/s	Material	Mould No.
OR40016800-T5	168.00	4.00	EPDM	SIH-809
OR45016800-08	168.00	4.50	NBR	SIH-224
OR50016800-10	168.00	5.00	NBR	SIH-301
OR50016800-08	168.00	5.00	FKM	SIH-373
OR53316800-08	168.00	5.33	NBR	SIH-295
OR55016800-08	168.00	5.50	NBR	SIH-132
OR55016800-D6	168.00	5.50	HNBR	SIH-798
OR58016800-H8	168.00	5.80	NBR	SIH-466
OR57516800-10	168.00	5.75	NBR	SIH-314
OR5801680-64	168.00	5.80	FKM	SIH-310
OR60016800-08	168.00	6.00	NBR	SIH-740
OR69916800-08	168.00	6.99	NBR	SIH-469
OR75016800-08	168.00	7.50	NBR	SIH-234
OR75016800-64	168.00	7.50	FKM	SIH-265
OR84016800-08	168.00	8.40	NBR	SIH-613
OR10016800-32	168.00	10.00	EPDM	SIH-800
OR12016800-43	168.00	12.00	VMQ	SIH-654
OR20016800-06	168.00	20.00	NBR	SIJ-312
OR35016824-08	168.24	3.50	NBR	SIH-433
OR47616827-64	168.27	4.76	FKM	SIH-492
OR31816828-08	168.28	3.18	NBR	SIG-876
OR68016840-08	168.40	6.99	NBR	SIH-145
OR30216843-08	168.43	3.02	NBR	SIG-808
OR17816850-O3	168.50	1.78	NBR	SIG-958
OR35016850-U4	168.50	3.50	EPDM	SIH-619
OR35016850-U2	168.50	3.50	FKM	SIH-622
OR57016850-64	168.50	5.70	FKM	SIH-633
OR60016850-08	168.50	6.00	NBR	SIH-329
OR30916856-64	168.56	3.09	FKM	SIG-710
OR57016860-64	168.60	5.70	FKM	SIH-281
OR37516875-08	168.75	3.75	NBR	SIH-835
OR26216876-D5	168.76	2.62	HNBR	SIG-996
OR15016900-64	169.00	1.50	FKM	SIG-811
OR16016900-08	169.00	1.60	NBR	SIG-640
OR30016900-08	169.00	3.00	NBR	SIG-272
OR35016900-08	169.00	3.50	NBR	SIH-421
OR40016900-64	169.00	4.00	FKM	SIH-663
OR55016900-66	169.00	5.50	FKM	SIH-428
OR55016900-11	169.00	5.50	NBR	SIH-103
OR64016990-43	169.00	6.40	VMQ	SIH-779
OR39716907-08	169.07	3.97	NBR	SIH-841
OR84016910-08	169.10	8.40	NBR	SIH-205
OR57016920-11	169.20	5.70	NBR	SIH-414
OR57016920-64	169.20	5.70	FKM	SIH-447
OR37016930-11	169.30	3.70	NBR	SIH-643
OR57016930-D5	169.30	5.70	HNBR	SIH-446
OR57016930-08	169.30	5.70	NBR	SIH-153
OR57016930-R1	169.30	5.70	VMQ	SIH-669
OR30016950-08	169.50	3.00	NBR	SIG-509
OR30016950-R1	169.50	3.00	FVMQ	SIH-601
OR40016985-08	169.85	4.00	NBR	SIH-577
OR10017000-08	170.00	1.00	NBR	SIG-927
OR15017000-08	170.00	1.50	NBR	SIG-612
OR19017000-43	170.00	1.90	VMQ	SIG-704
OR20017000-08	170.00	2.00	NBR	SIG-250
OR20017000-64	170.00	2.00	FKM	SIG-582
OR20017000-T5	170.00	2.00	EPDM	SIG-973
OR25017000-64	170.00	2.50	FKM	SIG-652
OR25017000-08	170.00	2.50	NBR	SIG-604
OR26217000-08	170.00	2.62	NBR	SIH-665
OR30017000-65	170.00	3.00	FKM	SIH-406
OR30017000-08	170.00	3.00	NBR	SIH-126
OR30017000-L3	170.00	3.00	AFLAS	SIH-816
OR35017000-64	170.00	3.50	FKM	SIH-820
OR35317000-08	170.00	3.53	NBR	SIH-351
OR35517000-39	170.00	3.55	VMQ	SIH-826
OR40017000-64	170.00	4.00	FKM	SIH-313
OR40017000-08	170.00	4.00	NBR	SIH-118
OR40017000-T3	170.00	4.00	EPDM	SIH-710
OR45017000-64	170.00	4.50	FKM	SIH-417
OR50017000-64	170.00	5.00	FKM	SIH-335
OR50017000-32	170.00	5.00	EPDM	SIH-521
OR50017000-08	170.00	5.00	NBR	SIH-148

Bold sizes are readily available in stock.
 Other material are available on request.

Part No.	d	c/s	Material	Mould No.
OR50017000-18	170.00	5.00	CR	SIH-719
OR53017000-08	170.00	5.30	NBR	SIH-438
OR55017000-64	170.00	5.50	FKM	SIH-263
OR55017000-08	170.00	5.50	NBR	SIH-537
OR57017000-64	170.00	5.70	FKM	SIH-676
OR60017000-08	170.00	6.00	NBR	SIH-149
OR60017000-64	170.00	6.00	FKM	SIH-737
OR65017000-08	170.00	6.50	NBR	SIH-356
OR69917000-66	170.00	6.99	FKM	SIH-407
OR70017000-32	170.00	7.00	EPDM	SIH-819
OR80017000-08	170.00	8.00	NBR	SIH-253
OR80017000-64	170.00	8.00	FKM	SIH-678
OR10017000-43	170.00	10.00	VMQ	SIH-269
OR10217000-43	170.00	10.20	VMQ	SIH-852
OR12017000-08	170.00	12.00	NBR	SIH-412
OR15017000-08	170.00	15.00	NBR	SIH-734
OR45317010-08	170.10	4.53	NBR	SIH-624
OR30017020-08	170.20	3.00	NBR	SIH-684
OR17817044-08	170.44	1.78	NBR	SIH-520
OR20017060-09	170.60	20.00	NBR	SIJ-318
OR20017060-20	170.60	20.00	CR	SIJ-394
OR17817069-43	170.69	1.78	VMQ	SIG-706
OR33017070-32	170.70	3.30	EPDM	SIH-597
OR33017070-64	170.70	3.30	FKM	SIH-759
OR53317081-32	170.81	5.33	EPDM	SIH-244
OR53317082-64	170.82	5.33	FKM	SIH-341
OR53317082-64	170.82	5.33	FKM	SIH-524
OR53317082-08	170.82	5.33	NBR	SIH-260
OR53317082-T5	170.82	5.33	EPDM	SIH-780
OR53317082-34	170.82	5.33	EPDM	SIH-802
OR69917082-08	170.82	6.99	NBR	SIH-101
OR69917082-S4	170.82	6.99	HNBR	SIH-716
OR35017100-08	171.00	3.50	NBR	SIH-176
OR40017100-08	171.00	4.00	NBR	SIH-360
OR47017100-D5	171.00	4.70	HNBR	SIH-813
OR55017100-65	171.00	5.50	FKM	SIH-731
OR56017100-65	171.00	5.60	FKM	SIH-808
OR68017100-08	171.00	6.80	NBR	SIH-503
OR80017100-08	171.00	8.00	NBR	SIH-742
OR85017100-08	171.00	8.50	NBR	SIH-741
OR22017100-43	171.00	22.00	VMQ	SIJ-768
OR31717104-08	171.04	3.17	NBR	SIH-232
OR35317104-64	171.04	3.53	FKM	SIH-330
OR35317104-43	171.04	3.53	VMQ	SIH-324
OR35317104-U8	171.04	3.53	FKM	SIH-434
OR35317104-08	171.04	3.53	NBR	SIH-212
OR35317104-34	171.04	3.53	EPDM	SIH-753
OR35317104-32	171.04	3.53	EPDM	SIH-760
OR35317105-64	171.05	3.53	FKM	SIH-714
OR26217112-64	171.12	2.62	FKM	SIH-528
OR26217112-08	171.12	2.62	NBR	SIH-141
OR28017112-09	171.12	2.80	NBR	SIH-490
OR31717145-08	171.45	3.17	NBR	SIH-350
OR63517145-08	171.45	6.35	NBR	SIH-720
OR15017150-08	171.50	1.50	NBR	SIG-712
OR16017150-08	171.50	1.60	NBR	SIG-361
OR63017150-08	171.50	6.30	NBR	SIH-178
OR25017176-40	171.76	2.50	VMQ	SIH-538
OR20017200-08	172.00	2.00	NBR	SIH-367
OR25017200-D5	172.00	2.50	HNBR	SIH-574
OR25017200-08	172.00	2.50	NBR	SIH-584
OR30017200-08	172.00	3.00	NBR	SIH-534
OR30017200-08	172.00	3.00	NBR	SIH-536
OR30017200-08	172.00	3.00	NBR	SIH-451
OR30017200-06	172.00	3.00	NBR	SIH-403
OR30017200-32	172.00	3.00	EPDM	SIH-404
OR35317200-66	172.00	3.53	FKM	SIH-436
OR38017200-64	172.00	3.80	FKM	SIH-724
OR40017200-64	172.00	4.00	FKM	SIH-394
OR40017200-08	172.00	4.00	NBR	SIH-166
OR41017200-65	172.00	4.10	FKM	SIH-804
OR45017200-08	172.00	4.50	NBR	SIH-338
OR50017200-08	172.00	5.00	NBR	SIH-102

Part No.	d	c/s	Material	Mould No.
OR50017200-T3	172.00	5.00	EPDM	SIH-823
OR57017200-08	172.00	5.70	NBR	SIH-672
OR60017200-08	172.00	6.00	NBR	SIH-477
OR70017200-08	172.00	7.00	NBR	SIH-429
OR90017200-08	172.00	9.00	NBR	SIH-175
OR90017200-T5	172.00	9.00	EPDM	SIH-822
OR10017200-40	172.00	10.00	VMQ	SIH-493
OR10017200-08	172.00	10.00	NBR	SIH-202
OR22017200-10	172.00	22.00	NBR	SIJ-680
OR90117221-11	172.21	9.01	NBR	SIH-611
OR90117221-54	172.21	9.01	HNBR	SIH-635
OR39717225-08	172.25	3.97	NBR	SIH-843
OR37717244-08	172.44	3.77	NBR	SIH-697
OR55017260-43	172.60	5.50	VMQ	SIH-322
OR32017264-08	172.64	3.20	NBR	SIH-641
OR35017270-08	172.70	3.50	NBR	SIH-277
OR57017270-08	172.70	5.70	NBR	SIH-233
OR30017300-08	173.00	3.00	NBR	SIH-215
OR40017300-66	173.00	4.00	FKM	SIH-364
OR53317300-08	173.00	5.33	NBR	SIH-383
OR55017300-08	173.00	5.50	NBR	SIH-541
OR55017300-67	173.00	5.50	FKM	SIH-650
OR65017300-08	173.00	6.50	NBR	SIH-133
OR75017300-64	173.00	7.50	FKM	SIH-363
OR80017300-43	173.00	8.00	VMQ	SIH-296
OR95017300-64	173.00	9.50	FKM	SIH-761
OR16017350-08	173.50	1.60	NBR	SIH-591
OR63017350-08	173.50	6.30	NBR	SIH-206
OR37517375-08	173.75	3.75	NBR	SIH-833
OR17817387-43	173.87	1.78	VMQ	SIH-831
OR17817387-64	173.87	1.78	FKM	SIH-778
OR15017400-08	174.00	1.50	NBR	SIH-851
OR20017400-08	174.00	2.00	NBR	SIH-644
OR26217400-08	174.00	2.62	NBR	SIH-681
OR30017400-43	174.00	3.00	VMQ	SIH-455
OR30017400-08	174.00	3.00	NBR	SIH-478
OR30001740-64	174.00	3.00	FKM	SIH-627
OR31717400-64	174.00	3.17	FKM	SIH-328
OR35017400-08	174.00	3.50	NBR	SIH-467
OR40017400-08	174.00	4.00	NBR	SIH-106
OR50017400-06	174.00	5.00	NBR	SIH-626
OR56017400-08	174.00	5.60	NBR	SIH-190
OR60017400-08	174.00	6.00	NBR	SIH-198
OR65017400-08	174.00	6.50	NBR	SIH-657
OR69917400-39	174.00	6.99	VMQ	SIH-499
OR70017400-11	174.00	7.00	NBR	SIH-333
OR10017400-08	174.00	10.00	NBR	SIH-746
OR84017410-08	174.10	8.40	NBR	SIH-653
OR84017410-64	174.10	8.40	FKM	SIH-702
OR24017420-43	174.20	2.40	VMQ	SIH-698
OR25017420-67	174.20	2.50	FKM	SIH-286
OR45017420-08	174.20	4.50	NBR	SIH-595
OR57017420-08	174.20	5.70	NBR	SIH-317
OR57017430-T9	174.30	5.70	FKM	SIH-374
OR17817444-08	174.44	1.78	NBR	SIH-389
OR64017450-08	174.50	6.40	NBR	SIH-107
OR75017450-11	174.50	7.50	NBR	SIH-618
OR84017450-10	174.50	8.40	NBR	SIH-497
OR84017450-08	174.50	8.40	NBR	SIH-707
OR67017460-08	174.60	6.70	NBR	SIH-661
OR70017460-08	174.60	7.00	NBR	SIH-273
OR80017460-08	174.60	8.00	NBR	SIH-136
OR15817462-08	174.62	1.58	NBR	SIH-221
OR31817462-08	174.62	3.18	NBR	SIH-839
OR35317462-34	174.62	3.53	EPDM	SIH-757
OR317517463-10	174.63	31.75	NBR	SIK-546
OR30017470-64	174.70	3.00	FKM	SIH-355
OR20017500-08	175.00	2.00	NBR	SIH-509
OR20017500-D5	175.00	2.00	HNBR	SIH-284
OR25017500-08	175.00	2.50	NBR	SIH-376
OR26217500-66	175.00	2.62	FKM	SIH-289
OR26517500-D5	175.00	2.65	HNBR	SIH-508
OR30001750-C1	175.00	3.00	XNBR	SIH-582

Bold sizes are readily available in stock.
Other material are available on request.

Part No.	d	c/s	Material	Mould No.
OR30017500-08	175.00	3.00	NBR	SIH-169
OR30017500-64	175.00	3.00	FKM	SIH-712
OR35017500-08	175.00	3.50	NBR	SIH-115
OR35017500-08	175.00	3.50	NBR	SIH-516
OR35517500-08	175.00	3.55	NBR	SIH-339
OR35517500-64	175.00	3.55	FKM	SIH-512
OR37017500-08	175.00	3.70	NBR	SIH-203
OR40017500-64	175.00	4.00	FKM	SIH-580
OR40017500-08	175.00	4.00	NBR	SIH-274
OR45017500-08	175.00	4.50	NBR	SIH-248
OR47017500-08	175.00	4.70	NBR	SIH-542
OR47617500-08	175.00	4.76	NBR	SIH-223
OR50017500-64	175.00	5.00	FKM	SIH-353
OR50017500-08	175.00	5.00	NBR	SIH-185
OR53017500-43	175.00	5.30	VMQ	SIH-243
OR55017500-64	175.00	5.50	FKM	SIH-522
OR55017500-08	175.00	5.50	NBR	SIH-670
OR60017500-T5	175.00	6.00	EPDM	SIH-546
OR60017500-08	175.00	6.00	NBR	SIH-437
OR60017500-43	175.00	6.00	VMQ	SIH-498
OR70017500-08	175.00	7.00	FKM	SIH-293
OR72017500-64	175.00	7.20	FKM	SIH-510
OR75017500-11	175.00	7.50	NBR	SIH-530
OR80017500-08	175.00	8.00	NBR	SIH-228
OR85017500-08	175.00	8.50	NBR	SIH-200
OR85017500-64	175.00	8.50	FKM	SIH-766
OR90017500-08	175.00	9.00	NBR	SIH-268
OR35317525-64	175.25	3.53	FKM	SIH-254
OR20017540-32	175.40	2.00	EPDM	SIH-829
OR80017550-08	175.50	8.00	NBR	SIH-854
OR190517551-08	175.51	19.05	NBR	SIJ-628
OR63517560-10	175.60	6.35	NBR	SIH-535
OR26217576-08	175.76	2.62	NBR	SIH-229
OR75017580-64	175.80	7.50	FKM	SIH-331
OR20017600-64	176.00	2.00	FKM	SIH-703
OR30017600-08	176.00	3.00	NBR	SIH-453
OR40017600-06	176.00	4.00	NBR	SIH-529
OR53317600-08	176.00	5.33	NBR	SIH-359
OR90017600-64	176.00	6.00	FKM	SIH-440
OR60017600-08	176.00	6.00	NBR	SIH-116
OR65017600-08	176.00	6.50	NBR	SIH-144
OR70017600-08	176.00	7.00	NBR	SIH-131
OR80017600-64	176.00	8.00	FKM	SIH-337
OR80017600-08	176.00	8.00	NBR	SIH-392
OR10017600-43	176.00	10.00	VMQ	SIH-272
OR10217600-38	176.00	10.20	VMQ	SIH-593
OR15001760-06	176.00	15.00	NBR	SIJ-607
OR55017620-64	176.20	5.50	FKM	SIH-357
OR76017620-08	176.20	7.60	NBR	SIH-821
OR35017626-08	176.26	3.50	NBR	SIH-465
OR45317645-08	176.45	4.53	NBR	SIH-695
OR45217666-64	176.66	4.52	FKM	SIH-771
OR50017670-T3	176.70	5.00	EPDM	SIH-836
OR15017700-08	177.00	1.50	NBR	SIH-797
OR17817700-64	177.00	1.78	FKM	SIH-751
OR20017700-08	177.00	2.00	NBR	SIH-163
OR30017700-08	177.00	3.00	NBR	SIH-370
OR40017700-08	177.00	4.00	NBR	SIH-129
OR40017700-45	177.00	4.00	VMQ	SIH-589
OR45017700-08	177.00	4.50	NBR	SIH-554
OR50017700-64	177.00	5.00	FKM	SIH-705
OR60017700-64	177.00	6.00	FKM	SIH-774
OR65017700-08	177.00	6.50	NBR	SIH-197
OR70017700-59	177.00	7.00	PU	POD-144
OR53317717-64	177.17	5.33	FKM	SIH-327
OR53317717-08	177.17	5.33	NBR	SIH-258
OR69917717-08	177.17	6.99	NBR	SIH-241
OR69917717-64	177.17	6.99	FKM	SIH-607
OR69917717-D5	177.17	6.99	HNBR	SIH-623
OR69917717-04	177.17	6.99	NBR	SIH-781
OR35017721-08	177.21	3.50	NBR	SIH-513
OR31517739-08	177.39	3.15	NBR	SIH-570
OR35317739-64	177.39	3.53	FKM	SIH-319

Part No.	d	c/s	Material	Mould No.
OR35317739-08	177.39	3.53	NBR	SIH-193
OR35317739-59	177.39	3.53	PU	POD-135
OR35317739-28	177.39	3.53	EPDM	SIH-756
OR35317740-11	177.40	3.53	NBR	SIH-415
OR26217747-66	177.47	2.62	FKM	SIH-278
OR26217747-09	177.47	2.62	NBR	SIH-677
OR26217747-R1	177.47	2.62	FVMQ	SIH-790
OR25017750-08	177.50	2.50	NBR	SIH-599
OR17817752-08	177.52	1.78	NBR	SIH-848
OR31717780-08	177.80	3.17	NBR	SIH-239
OR31717780-43	177.80	3.17	VMQ	SIH-625
OR47617780-08	177.80	4.76	NBR	SIH-408
OR60017780-08	177.80	6.00	NBR	SIH-128
OR63517780-11	177.80	6.35	NBR	SIH-847
OR63517780-64	177.80	6.35	FKM	SIH-531
OR30218113-64	177.80	6.35	FKM	SIH-713
OR63517780-08	177.80	6.35	NBR	SIH-845
OR95217780-22	177.80	9.52	CR	SIH-297
OR12717780-D6	177.80	12.70	HNBR	SIJ-255
OR190517780-D6	177.80	19.05	HNBR	SIJ-256
OR25017800-32	178.00	2.50	EPDM	SIH-368
OR25017800-08	178.00	2.50	NBR	SIH-122
OR25017800-64	178.00	2.50	FKM	SIH-179
OR30017800-D5	178.00	3.00	HNBR	SIH-573
OR30017800-08	178.00	3.00	NBR	SIH-159
OR30017800-08	178.00	3.00	NBR	SIH-775
OR35017800-08	178.00	3.50	NBR	SIH-382
OR40017800-08	178.00	4.00	NBR	SIH-343
OR50017800-08	178.00	5.00	NBR	SIH-560
OR50017800-65	178.00	5.00	FKM	SIH-732
OR57517800-10	178.00	5.75	NBR	SIH-315
OR60017800-64	178.00	6.00	FKM	SIH-583
OR70017800-64	178.00	7.00	FKM	SIH-532
OR70017800-08	178.00	7.00	NBR	SIH-651
OR10217800-38	178.00	10.20	VMQ	SIH-772
OR12017800-08	178.00	12.00	NBR	SIJ-250
OR35017850-D6	178.50	3.50	HNBR	SIH-365
OR60618519-64	178.50	9.00	FKM	SIJ-710
OR30017852-39	178.52	3.00	VMQ	SIH-846
OR57017860-43	178.60	5.70	VMQ	SIH-679
OR27017882-08	178.82	2.70	NBR	SIH-482
OR16217900-08	179.00	1.62	NBR	SIH-768
OR22017900-08	179.00	2.20	NBR	SIH-636
OR24017900-64	179.00	2.40	FKM	SIH-461
OR30017900-64	179.00	3.00	FKM	SIH-456
OR38017900-64	179.00	3.80	FKM	SIH-723
OR40017900-64	179.00	4.00	FKM	SIH-445
OR41017900-65	179.00	4.10	FKM	SIH-805
OR45017900-08	179.00	4.50	NBR	SIH-299
OR55017900-08	179.00	5.50	NBR	SIH-806
OR70017900-08	179.00	7.00	NBR	SIH-680
OR75017900-08	179.00	7.50	NBR	SIH-204
OR12017900-32	179.00	12.00	EPDM	SIJ-674
OR65017910-08	179.10	6.50	NBR	SIH-164
OR65017910-64	179.10	6.50	FKM	SIH-545
OR84017910-43	179.10	8.40	VMQ	SIH-552
OR57017920-64	179.20	5.70	FKM	SIH-316
OR10017920-08	179.20	10.00	NBR	SIH-182
OR57017930-64	179.30	5.70	FKM	SIH-326
OR57017930-32	179.30	5.70	EPDM	SIH-526
OR57017930-08	179.30	5.70	NBR	SIH-588
OR53317934-64	179.34	5.33	FKM	SIH-631
OR84017940-43	179.40	8.40	VMQ	SIH-402
OR30017950-R1	179.50	3.00	FVMQ	SIH-818
OR30017950-08	179.50	3.00	NBR	SIH-850
OR57017950-08	179.50	5.70	NBR	SIH-167
OR84017950-08	179.50	8.40	NBR	SIH-201
OR26217980-08	179.80	2.62	NBR	SIH-590
OR36317980-64	179.80	3.63	FKM	SIH-396
OR18017990-08	179.90	1.80	NBR	SIH-300
OR15018000-04	180.00	1.50	NBR	SIH-736
OR17818000-08	180.00	1.78	NBR	SIH-765
OR17818000-R1	180.00	1.78	FVMQ	SIH-827

Bold sizes are readily available in stock.
 Other material are available on request.

Part No.	d	c/s	Material	Mould No.
OR20018000-08	180.00	2.00	NBR	SIH-291
OR24018000-08	180.00	2.40	NBR	SIH-372
OR25018000-08	180.00	2.50	NBR	SIH-487
OR30018000-08	180.00	3.00	NBR	SIH-146
OR30018000-42	180.00	3.00	VMQ	SIH-660
OR30018000-L5	180.00	3.00	PU	POD-171
OR32018000-08	180.00	3.20	NBR	SIH-718
OR35018000-64	180.00	3.50	FKM	SIH-397
OR35018000-08	180.00	3.50	NBR	SIH-587
OR35518000-11	180.00	3.55	NBR	SIH-375
OR35518000-64	180.00	3.55	FKM	SIH-645
OR35518000-32	180.00	3.55	EPDM	SIH-735
OR38018000-64	180.00	3.80	FKM	SIH-689
OR40018000-T2	180.00	4.00	VMQ	SIH-539
OR40018000-08	180.00	4.00	NBR	SIH-112
OR45018000-08	180.00	4.50	NBR	SIH-247
OR50018000-64	180.00	5.00	FKM	SIH-271
OR50018000-08	180.00	5.00	NBR	SIH-184
OR50018000-L5	180.00	5.00	PU	POD-152
OR53018000-64	180.00	5.30	FKM	SIH-312
OR53018000-08	180.00	5.30	NBR	SIH-236
OR55018000-08	180.00	5.50	NBR	SIH-259
OR60018000-64	180.00	6.00	FKM	SIH-318
OR60018000-08	180.00	6.00	NBR	SIH-334
OR60018000-08	180.00	6.00	NBR	SIH-369
OR60018000-08	180.00	6.00	NBR	SIH-262
OR70018000-T5	180.00	7.00	EPDM	SIH-547
OR70018000-43	180.00	7.00	VMQ	SIH-476
OR70018000-08	180.00	7.00	NBR	SIH-708
OR75018000-08	180.00	7.50	NBR	SIH-139
OR75018000-64	180.00	7.50	FKM	SIH-494
OR80018000-89	180.00	8.00	PU	POD-131
OR80018000-08	180.00	8.00	NBR	SIH-249
OR80018000-43	180.00	8.00	VMQ	SIH-292
OR85018000-64	180.00	8.50	FKM	SIH-443
OR86018000-08	180.00	8.60	NBR	SIH-550
OR90018000-08	180.00	9.00	NBR	SIH-385
OR10018000-08	180.00	10.00	NBR	SIH-336
OR10018000-41	180.00	10.00	VMQ	SIH-325
OR13018000-08	180.00	13.00	NBR	SIJ-527
OR72018010-08	180.10	7.20	NBR	SIH-733
OR72018010-64	180.10	7.20	FKM	SIH-830
OR26218030-64	180.30	2.62	FKM	SIH-483
OR36018030-43	180.30	3.60	VMQ	SIH-543
OR17818034-08	180.34	1.78	NBR	SIH-486
OR17818034-08	180.34	1.78	NBR	SIH-366
OR70018060-08	180.60	7.00	NBR	SIH-191
OR35318097-64	180.97	3.53	FKM	SIH-704
OR53318097-64	180.97	5.33	FKM	SIH-748
OR35018098-08	180.98	3.50	NBR	SIH-514
OR35018100-08	181.00	3.50	NBR	SIH-214
OR35018100-32	181.00	3.50	EPDM	SIH-517
OR50018100-08	181.00	5.00	NBR	SIH-491
OR60018100-64	181.00	6.00	FKM	SIH-615
OR10018100-43	181.00	10.00	VMQ	SIJ-584
OR10218100-43	181.00	10.20	VMQ	SIJ-782
OR30218113-D5	181.13	3.02	HNBR	SIH-496
OR30218113-08	181.13	3.02	NBR	SIH-693
OR35318160-08	181.60	3.53	NBR	SIH-348
OR53018190-11	181.90	5.30	NBR	SIH-592
OR20018200-08	182.00	2.00	NBR	SIH-405
OR24018200-64	182.00	2.40	FKM	SIH-715
OR25018200-08	182.00	2.50	NBR	SIH-556
OR30018200-67	182.00	3.00	FKM	SIH-267
OR30018200-08	182.00	3.00	NBR	SIH-586
OR35018200-08	182.00	3.50	NBR	SIH-566
OR40018200-08	182.00	4.00	NBR	SIH-151
OR45018200-08	182.00	4.50	NBR	SIH-555
OR50018200-08	182.00	5.00	NBR	SIH-225
OR60018200-08	182.00	6.00	NBR	SIH-527
OR65018200-67	182.00	6.50	FKM	SIH-659
OR70018200-08	182.00	7.00	NBR	SIH-709
OR84018200-64	182.00	8.40	FKM	SIH-616

Part No.	d	c/s	Material	Mould No.
OR90018200-08	182.00	9.00	NBR	SIH-226
OR95018200-64	182.00	9.50	FKM	SIJ-525
OR10218200-43	182.00	10.20	VMQ	SIJ-221
OR10218200-08	182.00	10.20	NBR	SIJ-390
OR90118211-54	182.11	9.01	HNBR	SIJ-595
OR70018217-64	182.17	7.00	FKM	SIH-449
OR26218242-64	182.42	2.62	FKM	SIH-340
OR17018250-08	182.50	1.70	NBR	SIH-475
OR23818256-66	182.56	2.38	FKM	SIH-799
OR56018280-43	182.80	5.60	VMQ	SIH-323
OR45218281-08	182.81	4.52	NBR	SIH-694
OR25018300-64	183.00	2.50	FKM	SIH-459
OR26218300-08	183.00	2.62	NBR	SIH-230
OR30018300-08	183.00	3.00	NBR	SIH-458
OR30018300-R1	183.00	3.00	FVMQ	SIH-600
OR35018300-64	183.00	3.50	FKM	SIH-721
OR55018300-08	183.00	5.50	NBR	SIH-218
OR65018300-08	183.00	6.50	NBR	SIH-194
OR75018300-08	183.00	7.50	NBR	SIH-612
OR85018300-08	183.00	8.50	NBR	SIH-420
OR90018300-06	183.00	9.00	NBR	SIJ-392
OR10018300-08	183.00	10.00	NBR	SIJ-653
OR10018300-64	183.00	10.00	FKM	SIJ-713
OR47518320-64	183.20	4.75	FKM	SIH-634
OR46018350-64	183.50	4.60	FKM	SIH-763
OR53318352-64	183.50	5.33	FKM	SIH-282
OR63518351-08	183.51	6.35	NBR	SIH-220
OR47418352-20	183.52	4.74	CR	SIH-424
OR53318352-08	183.52	5.33	NBR	SIH-352
OR53318352-64	183.52	5.33	FKM	SIH-598
OR69918352-08	183.52	6.99	NBR	SIH-400
OR69918352-08	183.52	6.99	NBR	SIH-165
OR75018352-08	183.52	7.50	NBR	SIH-523
OR32018360-08	183.60	3.20	NBR	SIH-609
OR57018360-64	183.60	5.70	FKM	SIH-479
OR35318374-66	183.74	3.53	FKM	SIH-362
OR35318374-08	183.74	3.53	NBR	SIH-109
OR35318374-64	183.74	3.53	FKM	SIH-773
OR26218382-64	183.82	2.62	FKM	SIH-518
OR26218382-08	183.82	2.62	NBR	SIH-610
OR26218382-43	183.82	2.62	VMQ	SIH-675
OR26218382-28	183.82	2.62	EPDM	SIH-738
OR10018400-08	184.00	1.00	NBR	SIH-629
OR20018400-08	184.00	2.00	NBR	SIH-231
OR20018400-08	184.00	2.00	NBR	SIH-784
OR35018400-08	184.00	3.50	NBR	SIH-240
OR35018400-64	184.00	3.50	FKM	SIH-464
OR40018400-08	184.00	4.00	NBR	SIH-442
OR40018400-08	184.00	4.00	NBR	SIH-511
OR50018400-10	184.00	5.00	NBR	SIH-398
OR55018400-65	184.00	5.50	FKM	SIJ-156
OR60018400-L5	184.00	6.00	PU	POD-133
OR60018400-64	184.00	6.00	FKM	SIH-416
OR60018400-08	184.00	6.00	NBR	SIH-264
OR62018400-06	184.00	6.20	NBR	SIH-480
OR80018400-08	184.00	8.00	NBR	SIH-181
OR84018400-64	184.00	8.40	FKM	SIJ-682
OR10018400-45	184.00	10.00	VMQ	SIJ-764
OR15018410-08	184.10	1.50	NBR	SIH-485
OR84018410-08	184.10	8.40	NBR	SIJ-191
OR70017415-08	184.15	7.00	NBR	SIH-245
OR57018430-08	184.30	5.70	NBR	SIH-138
OR57018430-R1	184.30	5.70	FVMQ	SIH-700
OR60318447-08	184.47	6.03	NBR	SIH-692
OR30018450-08	184.50	3.00	NBR	SIH-441
OR84018450-08	184.50	8.40	NBR	SIJ-210
OR84018450-08	184.50	8.40	NBR	SIJ-484
OR17818500-O3	185.00	1.78	NBR	SIH-785
OR18018500-64	185.00	1.80	FKM	SIH-426
OR20018500-08	185.00	2.00	NBR	SIH-564
OR20018500-64	185.00	2.00	FKM	SIH-585
OR25018500-08	185.00	2.50	NBR	SIH-285
OR25018500-64	185.00	2.50	FKM	SIH-640

Bold sizes are readily available in stock.
Other material are available on request.

Part No.	d	c/s	Material	Mould No.
OR26518500-D5	185.00	2.65	HNBR	SIH-507
OR30018500-64	185.00	3.00	FKM	SIH-431
OR30018500-08	185.00	3.00	NBR	SIH-222
OR35018500-08	185.00	3.50	NBR	SIH-500
OR35518500-08	185.00	3.55	NBR	SIH-211
OR40018500-08	185.00	4.00	NBR	SIH-111
OR42018500-66	185.00	4.20	FKM	SIH-793
OR45018500-08	185.00	4.50	NBR	SIH-110
OR50018500-08	185.00	5.00	NBR	SIH-195
OR50018500-D5	185.00	5.00	HNBR	SIH-727
OR50018500-L5	185.00	5.00	PU	POD-165
OR53018500-64	185.00	5.30	FKM	SIH-791
OR55018500-08	185.00	5.50	NBR	SIH-275
OR57018500-08	185.00	5.70	NBR	SIH-384
OR57018500-64	185.00	5.70	FKM	SIH-803
OR64018500-06	185.00	6.40	NBR	SIH-502
OR69918500-11	185.00	6.99	NBR	SIH-418
OR69918500-08	185.00	6.99	NBR	SIH-454
OR70018500-64	185.00	7.00	FKM	SIH-578
OR70018500-30	185.00	7.00	EPDM	SIH-481
OR75018500-08	185.00	7.50	NBR	SIH-168
OR78018500-64	185.00	7.80	FKM	SIJ-778
OR80018500-08	185.00	8.00	NBR	SIJ-280
OR86018500-08	185.00	8.60	NBR	SIJ-236
OR10018500-08	185.00	10.00	NBR	SIJ-292
OR12718500-06	185.00	12.70	NBR	SIJ-555
OR12718500-64	185.00	12.70	FKM	SIJ-732
OR35000187-08	185.10	2.00	NBR	SIH-495
OR47518525-64	185.25	4.75	FKM	SIH-686
OR50018530-11	185.30	5.00	NBR	SIH-378
OR16218600-08	186.00	1.62	NBR	SIH-769
OR18018600-08	186.00	1.80	NBR	SIH-825
OR20018600-08	186.00	2.00	NBR	SIH-425
OR30018600-43	186.00	3.00	VMQ	SIH-620
OR35018600-08	186.00	3.50	NBR	SIH-391
OR35318600-64	186.00	3.53	FKM	SIH-266
OR40018600-43	186.00	4.00	VMQ	SIH-311
OR53301860-08	186.00	5.30	NBR	SIH-155
OR60018600-06	186.00	6.00	NBR	SIH-427
OR60018600-08	186.00	6.00	NBR	SIH-114
OR60018600-06	186.00	6.00	NBR	SIH-652
OR67018600-08	186.00	6.70	NBR	SIH-548
OR69018600-T3	186.00	6.90	EPDM	SIH-776
OR76018600-43	186.00	7.60	VMQ	SIJ-295
OR80018600-08	186.00	8.00	NBR	SIJ-474
OR80018600-L3	186.00	8.00	AFLAS	SIJ-729
OR82518600-08	186.00	8.25	NBR	SIJ-159
OR90018600-08	186.00	9.00	NBR	SIJ-475
OR95018600-08	186.00	9.50	NBR	SIJ-735
OR10018600-66	186.00	10.00	FKM	SIJ-453
OR13018600-08	186.00	13.00	NBR	SIJ-504
OR32018615-08	186.15	3.20	NBR	SIH-192
OR35018620-64	186.20	3.50	FKM	SIH-410
OR50018630-08	186.30	5.00	NBR	SIH-646
OR69918644-64	186.44	6.99	FKM	SIJ-641
OR70018670-08	186.70	7.00	NBR	SIJ-129
OR30018690-64	186.90	3.00	FKM	SIH-690
OR20018700-08	187.00	2.00	NBR	SIH-563
OR25018700-08	187.00	2.50	NBR	SIH-256
OR30018700-08	187.00	3.00	NBR	SIH-557
OR35018700-06	187.00	3.50	NBR	SIH-473
OR35318700-64	187.00	3.53	FKM	SIH-540
OR35318700-08	187.00	3.53	NBR	SIH-448
OR35318700-43	187.00	3.53	VMQ	SIH-794
OR37018700-08	187.00	3.70	NBR	SIH-177
OR40018700-08	187.00	4.00	NBR	SIH-162
OR45018700-08	187.00	4.50	NBR	SIH-558
OR55018700-08	187.00	5.50	NBR	SIH-561
OR65018700-08	187.00	6.50	NBR	SIH-304
OR58018710-08	187.10	5.80	NBR	SIH-801
OR17818725-O3	187.25	1.78	NBR	SIH-789
OR70018730-08	187.30	7.00	NBR	SIJ-585
OR84018730-11	187.30	8.40	NBR	SIJ-605

Part No.	d	c/s	Material	Mould No.
OR31818732-08	187.32	3.18	NBR	SIH-840
OR35318732-34	187.32	3.53	EPDM	SIH-750
OR69918733-CM	187.33	6.99	FKM	SIJ-652
OR53318743-08	187.43	5.33	NBR	SIH-621
OR26518750-08	187.50	2.65	NBR	SIH-691
OR300187.50-D5	187.50	3.00	HNBR	SIH-380
OR30018750-08	187.50	3.00	NBR	SIH-143
OR55018750-66	187.50	5.50	FKM	SIH-413
OR63518750-34	187.50	6.35	EPDM	SIJ-224
OR11218760-64	187.60	11.20	FKM	SIJ-618
OR20018800-08	188.00	2.00	NBR	SIH-559
OR30018800-64	188.00	3.00	FKM	SIH-242
OR30018800-20	188.00	3.00	CR	SIH-662
OR30018800-75	188.00	3.00	AFLAS	SIH-782
OR35018800-08	188.00	3.50	NBR	SIH-173
OR39018800-66	188.00	3.90	FKM	SIH-602
OR40018800-08	188.00	4.00	NBR	SIH-121
OR40018800-20	188.00	4.00	CR	SIH-596
OR40018800-64	188.00	4.00	FKM	SIH-787
OR45018800-64	188.00	4.50	FKM	SIH-685
OR50018800-64	188.00	5.00	FKM	SIH-575
OR50018800-08	188.00	5.00	NBR	SIH-390
OR53318800-64	188.00	5.33	FKM	SIH-628
OR55018800-08	188.00	5.50	NBR	SIH-238
OR60018800-10	188.00	6.00	NBR	SIH-287
OR60018800-08	188.00	6.00	NBR	SIH-639
OR60018800-34	188.00	6.00	EPDM	SIH-754
OR72518800-32	188.00	7.25	EPDM	SIJ-609
OR80018800-20	188.00	8.00	CR	SIJ-197
OR80018800-08	188.00	8.00	NBR	SIJ-712
OR90018800-08	188.00	9.00	NBR	SIJ-193
OR10018800-08	188.00	10.00	NBR	SIJ-711
OR35318825-07	188.25	3.53	NBR	SIH-452
OR35318825-07	188.25	3.53	NBR	SIH-472
OR86018837-11	188.37	8.60	NBR	SIJ-590
OR27018850-08	188.50	2.70	NBR	SIH-484
OR35018850-08	188.50	3.50	NBR	SIH-549
OR35318850-43	188.50	3.53	VMQ	SIH-730
OR35518850-L5	188.50	3.55	PU	POD-112
OR56018850-64	188.50	5.60	FKM	SIH-423
OR62018850-09	188.50	6.20	NBR	SIJ-376
OR70018850-08	188.50	7.00	NBR	SIJ-719
OR37518875-08	188.75	3.75	NBR	SIH-834
OR48018890-08	188.90	4.80	NBR	SIH-160
OR31718891-08	188.91	3.17	NBR	SIH-124
OR71418891-L5	188.91	7.14	PU	POD-107
OR25018900-08	189.00	2.50	NBR	SIH-565
OR26018900-08	189.00	2.60	NBR	SIH-489
OR35018900-08	189.00	3.50	NBR	SIH-174
OR35018900-66	189.00	3.50	FKM	SIH-614
OR50018900-08	189.00	5.00	NBR	SIH-180
OR57018900-08	189.00	5.70	NBR	SIJ-211
OR57018900-08	189.00	5.70	NBR	SIJ-409
OR58018900-08	189.00	5.80	NBR	SIJ-339
OR60018900-08	189.00	6.00	NBR	SIJ-417
OR60018900-64	189.00	6.00	FKM	SIJ-438
OR80018900-08	189.00	8.00	NBR	SIJ-184
OR80018900-64	189.00	8.00	FKM	SIJ-697
OR16018900-08	189.00	16.00	NBR	SIJ-330
OR45218916-10	189.16	4.52	NBR	SIH-347
OR57018920-08	189.20	5.70	NBR	SIJ-154
OR31018930-64	189.30	3.10	FKM	SIH-687
OR57018930-08	189.30	5.70	NBR	SIJ-603
OR57018940-64	189.40	5.70	FKM	SIJ-415
OR10018940-43	189.40	10.00	VMQ	SIJ-741
OR30018950-08	189.50	3.00	NBR	SIH-505
OR70018950-32	189.50	7.00	EPDM	SIJ-781
OR84018950-08	189.50	8.40	NBR	SIJ-352
OR53018980-08	189.80	5.30	NBR	SIJ-143
OR53318987-08	189.87	5.33	NBR	SIJ-247
OR53318987-64	189.87	5.33	FKM	SIJ-306
OR53318987-T5	189.87	5.33	EPDM	SIJ-563
OR55018987-08	189.87	5.50	NBR	SIJ-572

Bold sizes are readily available in stock.
 Other material are available on request.

Part No.	d	c/s	Material	Mould No.
OR57018987-67	189.87	5.70	FKM	SIJ-275
OR69918987-08	189.87	6.99	NBR	SIJ-125
OR69918987-08	189.87	6.99	NBR	SIJ-372
OR69918987-27	189.87	6.99	FKM	SIJ-747
OR69918987-34	189.87	6.99	EPDM	SIJ-235
OR69918990-39	189.90	6.99	VMQ	SIJ-553
OR15019000-08	190.00	1.50	NBR	SIH-743
OR20019000-08	190.00	2.00	NBR	SIH-371
OR20019000-44	190.00	2.00	VMQ	SIH-792
OR25019000-08	190.00	2.50	NBR	SIH-157
OR25019000-D5	190.00	2.50	HNBR	SIH-572
OR25019000-64	190.00	2.50	FKM	SIH-642
OR26219000-64	190.00	2.62	FKM	SIH-671
OR27019000-04	190.00	2.70	NBR	SIH-726
OR30019000-64	190.00	3.00	FKM	SIH-387
OR30019000-11	190.00	3.00	NBR	SIH-199
OR30019000-64	190.00	3.00	FKM	SIH-630
OR36019000-11	190.00	3.60	NBR	SIH-290
OR40019000-66	190.00	4.00	FKM	SIH-358
OR40019000-08	190.00	4.00	NBR	SIH-227
OR42519000-08	190.00	4.25	NBR	SIH-838
OR45019000-62	190.00	4.50	FKM	SIH-533
OR47019000-L4	190.00	4.70	PU	POD-137
OR50019000-64	190.00	5.00	FKM	SIH-251
OR50019000-08	190.00	5.00	NBR	SIH-130
OR50019000-L4	190.00	5.00	PU	POD-138
OR25019200-08	190.00	8.50	NBR	SIH-667
OR55019000-08	190.00	5.50	NBR	SIJ-625
OR60019000-08	190.00	6.00	NBR	SIJ-264
OR60019000-64	190.00	6.00	FKM	SIJ-700
OR63019000-64	190.00	6.30	FKM	SIJ-473
OR65019000-64	190.00	6.50	FKM	SIJ-593
OR70019000-08	190.00	7.00	NBR	SIJ-128
OR75019000-08	190.00	7.50	NBR	SIJ-105
OR75019000-64	190.00	7.50	FKM	SIJ-699
OR80019000-64	190.00	8.00	FKM	SIJ-622
OR85019000-08	190.00	8.50	NBR	SIJ-119
OR85019000-06	190.00	8.50	NBR	SIJ-513
OR90019000-64	190.00	9.00	FKM	SIJ-531
OR90019000-08	190.00	9.00	NBR	SIJ-772
OR10019000-08	190.00	10.00	NBR	SIJ-150
OR10019000-43	190.00	10.00	VMQ	SIJ-299
OR12519000-08	190.00	12.50	NBR	SIJ-265
OR35319009-64	190.09	3.53	FKM	SIH-354
OR35319009-08	190.09	3.53	NBR	SIH-119
OR35319009-T5	190.09	3.53	EPDM	SIH-815
OR26219017-08	190.17	2.62	NBR	SIH-283
OR79419049-08	190.49	7.94	NBR	SIJ-182
OR31719050-64	190.50	3.17	FKM	SIH-309
OR35319050-08	190.50	3.53	NBR	SIH-320
OR39619050-64	190.50	3.96	FKM	SIH-386
OR55019050-08	190.50	5.50	NBR	SIJ-139
OR63519050-64	190.50	6.35	FKM	SIJ-282
OR63519050-L5	190.50	6.35	PU	POD-110
OR64019050-08	190.50	6.40	NBR	SIJ-112
OR95219050-08	190.50	9.52	NBR	SIJ-228
OR17419050-97	190.50	17.40	SBR	SIK-676
OR85019087-64	190.87	8.50	FKM	SIJ-783
OR25019100-32	191.00	2.50	EPDM	SIH-749
OR35319100-64	191.00	3.53	FKM	SIH-796
OR45019100-08	191.00	4.50	NBR	SIH-237
OR50019100-08	191.00	5.00	NBR	SIJ-411
OR60019100-08	191.00	6.00	NBR	SIJ-195
OR39719130-08	191.30	3.97	NBR	SIH-842
OR18019140-64	191.40	1.80	FKM	SIH-758
OR24019150-43	191.50	2.40	VMQ	SIH-637
OR12519200-64	192.00	1.25	FKM	SIH-762
OR17819200-08	192.00	1.78	NBR	SIH-783
OR20019200-08	192.00	2.00	NBR	SIH-504
OR25019200-D5	192.00	2.50	HNBR	SIH-571
OR30019200-64	192.00	3.00	FKM	SIH-216
OR30019200-08	192.00	3.00	NBR	SIH-217
OR35019200-64	192.00	3.50	FKM	SIH-430

Part No.	d	c/s	Material	Mould No.
OR35019200-08	192.00	3.50	NBR	SIH-137
OR40019200-08	192.00	4.00	NBR	SIH-207
OR40019200-08	192.00	4.00	NBR	SIH-120
OR40019200-41	192.00	4.00	VMQ	SIH-844
OR47519200-08	192.00	4.75	NBR	SIJ-441
OR50019200-08	192.00	5.00	NBR	SIJ-499
OR50019200-T5	192.00	5.00	EPDM	SIJ-577
OR57019200-64	192.00	5.70	FKM	SIJ-705
OR60019200-08	192.00	6.00	NBR	SIJ-151
OR65019200-67	192.00	6.50	FKM	SIJ-615
OR70019200-08	192.00	7.00	NBR	SIJ-107
OR80019200-08	192.00	8.00	NBR	SIJ-118
OR80019200-D5	192.00	8.00	HNBR	SIJ-733
OR86019200-08	192.00	8.60	NBR	SIJ-482
OR90019200-08	192.00	9.00	NBR	SIJ-149
OR95019200-64	192.00	9.50	FKM	SIJ-702
OR10019200-08	192.00	10.00	NBR	SIJ-278
OR90119202-11	192.02	9.01	NBR	SIJ-574
OR90119202-54	192.02	9.01	HNBR	SIJ-594
OR12719202-08	192.02	12.70	NBR	SIJ-766
OR63519208-07	192.08	6.35	NBR	SIJ-534
OR27019250-39	192.50	2.70	VMQ	SIH-617
OR53319260-08	192.60	5.33	NBR	SIJ-321
OR15019300-08	193.00	1.50	NBR	SIH-399
OR20019300-64	193.00	2.00	FKM	SIH-744
OR22019300-08	193.00	2.20	NBR	SIH-722
OR24019300-11	193.00	2.40	NBR	SIH-525
OR26219300-64	193.00	2.62	FKM	SIH-605
OR26219300-08	193.00	2.62	NBR	SIH-764
OR30019300-08	193.00	3.00	NBR	SIH-361
OR30019300-64	193.00	3.00	FKM	SIH-432
OR35019300-08	193.00	3.50	NBR	SIJ-388
OR40019300-08	193.00	4.00	NBR	SIJ-538
OR42019300-20	193.00	4.20	CR	SIJ-401
OR50019300-11	193.00	5.00	NBR	SIJ-234
OR53519300-08	193.00	5.35	NBR	SIJ-190
OR60019300-08	193.00	6.00	NBR	SIJ-726
OR85019300-06	193.00	8.50	NBR	SIJ-514
OR10019350-40	193.50	10.00	VMQ	SIJ-422
OR26219367-64	193.67	2.62	FKM	SIH-795
OR53319367-64	193.67	5.33	FKM	SIJ-737
OR12719367-D6	193.67	12.70	HNBR	SIJ-252
OR12719367-10	193.67	12.70	NBR	SIJ-544
OR30219383-08	193.83	3.02	NBR	SIH-696
OR18019400-08	194.00	1.80	NBR	SIH-828
OR20019400-10	194.00	2.00	NBR	SIH-305
OR20019400-64	194.00	2.00	FKM	SIH-377
OR20019400-64	194.00	2.00	FKM	SIH-252
OR25019400-64	194.00	2.50	FKM	SIH-460
OR25019400-08	194.00	2.50	NBR	SIH-788
OR30019400-08	194.00	3.00	NBR	SIH-186
OR35019400-64	194.00	3.50	FKM	SIJ-366
OR35319400-08	194.00	3.53	NBR	SIJ-123
OR40019400-64	194.00	4.00	FKM	SIJ-455
OR40019400-08	194.00	4.00	NBR	SIJ-599
OR60019400-08	194.00	6.00	NBR	SIJ-136
OR60019400-64	194.00	6.00	FKM	SIJ-382
OR70019400-08	194.00	7.00	NBR	SIJ-114
OR80019400-08	194.00	8.00	NBR	SIJ-113
OR10019400-08	194.00	10.00	NBR	SIJ-135
OR12019400-67	194.00	12.00	FKM	SIJ-742
OR16019410-08	194.10	1.60	NBR	SIH-422
OR57019420-64	194.20	5.70	FKM	SIJ-329
OR31019430-05	194.30	3.10	NBR	SIJ-549
OR57019430-08	194.30	5.70	NBR	SIJ-226
OR57019430-R1	194.30	5.70	FVMQ	SIJ-597
OR30019450-08	194.50	3.00	NBR	SIJ-360
OR30019450-43	194.50	3.00	VMQ	SIJ-701
OR30019450-R1	194.50	3.00	FVMQ	SIJ-665
OR84019450-67	194.50	8.40	FKM	SIJ-664
OR26219469-64	194.69	2.62	FKM	SIH-606
OR53319470-64	194.70	5.33	FKM	SIJ-657
OR16819500-66	195.00	1.68	FKM	SIH-294

Bold sizes are readily available in stock.
Other material are available on request.

Part No.	d	c/s	Material	Mould No.
OR25019500-11	195.00	2.50	NBR	SIH-276
OR40020500-64	195.00	2.65	FKM	SIJ-240
OR26519500-D5	195.00	2.65	HNBR	SIJ-495
OR30019500-64	195.00	3.00	FKM	SIJ-286
OR30019500-08	195.00	3.00	NBR	SIJ-432
OR35019500-D5	195.00	3.50	HNBR	SIJ-786
OR35319500-04	195.00	3.53	NBR	SIJ-395
OR35519500-64	195.00	3.55	FKM	SIJ-338
OR40019500-04	195.00	4.00	NBR	SIJ-185
OR40019500-D7	195.00	4.00	HNBR	SIJ-604
OR50019500-08	195.00	5.00	NBR	SIJ-177
OR50019500-43	195.00	5.00	VMQ	SIJ-332
OR50019500-64	195.00	5.00	FKM	SIJ-462
OR50019500-64	195.00	5.00	FKM	SIJ-310
OR50019500-08	195.00	5.00	NBR	SIJ-485
OR50019500-L5	195.00	5.00	PU	POD-168
OR55019500-08	195.00	5.50	NBR	SIJ-433
OR60019500-08	195.00	6.00	NBR	SIJ-410
OR65019500-08	195.00	6.50	NBR	SIJ-491
OR64019500-08	195.00	6.50	FKM	SIJ-111
OR75019500-64	195.00	7.50	FKM	SIJ-213
OR85019500-08	195.00	8.50	NBR	SIJ-261
OR90019500-08	195.00	9.00	NBR	SIJ-248
OR90019500-D6	195.00	9.00	HNBR	SIJ-745
OR10019500-43	195.00	10.00	VMQ	SIJ-754
OR10219500-39	195.00	10.20	VMQ	SIJ-693
OR70019520-08	195.20	7.00	NBR	SIJ-442
OR72019520-08	195.20	7.20	NBR	SIJ-215
OR45319550-08	195.50	4.53	NBR	SIJ-647
OR62519580-11	195.80	6.25	NBR	SIJ-536
OR17019600-32	196.00	1.70	EPDM	SIH-853
OR18019600-08	196.00	1.80	NBR	SIH-706
OR20019600-08	196.00	2.00	NBR	SIH-786
OR30019600-08	196.00	3.00	NBR	SIJ-145
OR35019600-11	196.00	3.50	NBR	SIJ-132
OR35019600-08	196.00	3.50	NBR	SIJ-425
OR40019600-64	196.00	4.00	FKM	SIJ-279
OR40019600-U2	196.00	4.00	FKM	SIJ-580
OR45019600-08	196.00	4.50	NBR	SIJ-283
OR50019600-65	196.00	5.00	FKM	SIJ-676
OR51019600-65	196.00	5.10	FKM	SIJ-749
OR40019600-U4	196.00	4.00	EPDM	SIJ-578
OR60019600-08	196.00	6.00	NBR	SIJ-435
OR60019600-64	196.00	6.00	FKM	SIJ-762
OR75019600-08	196.00	7.50	NBR	SIJ-448
OR80019600-08	196.00	8.00	NBR	SIJ-336
OR84019600-08	196.00	8.40	NBR	SIJ-669
OR34019620-08	196.20	3.40	NBR	SIJ-470
OR70019620-66	196.20	7.00	FKM	SIJ-289
OR47619621-X4	196.21	4.76	PU	POD-162
OR17819622-O3	196.22	1.78	NBR	SIH-817
OR53319622-64	196.22	5.33	FKM	SIJ-165
OR53319622-08	196.22	5.33	NBR	SIJ-285
OR53319622-D5	196.22	5.33	HNBR	SIJ-420
OR53419622-R1	196.22	5.34	FVMQ	SIJ-550
OR69919622-08	196.22	6.99	NBR	SIJ-130
OR69919622-64	196.22	6.99	FKM	SIJ-437
OR35319644-64	196.44	3.53	FKM	SIJ-308
OR35319644-64	196.44	3.53	FKM	SIJ-319
OR35319644-08	196.44	3.53	NBR	SIJ-257
OR40019650-08	196.50	4.00	NBR	SIJ-471
OR26219652-66	196.52	2.62	FKM	SIJ-383
OR26219652-08	196.52	2.62	NBR	SIJ-258
OR26219652-43	196.52	2.62	VMQ	SIJ-633
OR79419672-08	196.72	7.94	NBR	SIJ-181
OR32019680-08	196.80	3.20	NBR	SIJ-466
OR23819685-66	196.85	2.38	FKM	SIJ-715
OR31719685-08	196.85	3.17	NBR	SIJ-183
OR31719685-64	196.85	3.17	FKM	SIJ-169
OR63519685-08	196.85	6.35	NBR	SIJ-309
OR95019685-08	196.85	9.50	NBR	SIJ-180
OR12719685-D6	196.85	12.70	HNBR	SIJ-253
OR17819690-O3	196.90	1.78	NBR	SIJ-728

Part No.	d	c/s	Material	Mould No.
OR20019700-08	197.00	2.00	NBR	SIJ-458
OR25019700-08	197.00	2.50	NBR	SIJ-529
OR30019700-08	197.00	3.00	NBR	SIJ-449
OR45019700-64	197.00	4.50	FKM	SIJ-269
OR50019700-08	197.00	5.00	NBR	SIJ-494
OR55019700-08	197.00	5.50	NBR	SIJ-507
OR60019700-08	197.00	6.00	NBR	SIJ-231
OR80019700-08	197.00	8.00	NBR	SIJ-454
OR10019700-43	197.00	10.00	VMQ	SIJ-755
OR60319717-08	197.17	6.03	NBR	SIJ-646
OR97019722-32	197.22	9.70	EPDM	SIJ-552
OR84019750-08	197.50	8.40	NBR	SIJ-209
OR35019754-08	197.54	3.50	NBR	SIJ-426
OR57019760-08	197.60	5.70	NBR	SIJ-406
OR57519780-08	197.80	5.75	NBR	SIJ-361
OR15019800-08	198.00	1.50	NBR	SIJ-371
OR17819800-08	198.00	1.78	NBR	SIJ-672
OR20019800-08	198.00	2.00	NBR	SIJ-644
OR30019800-08	198.00	3.00	NBR	SIJ-300
OR30019800-44	198.00	3.00	VMQ	SIJ-695
OR30019800-32	198.00	3.00	EPDM	SIJ-373
OR32019800-08	198.00	3.20	NBR	SIJ-104
OR35319800-64	198.00	3.53	FKM	SIJ-739
OR40019800-08	198.00	4.00	NBR	SIJ-109
OR50019800-64	198.00	5.00	FKM	SIJ-414
OR57019800-08	198.00	5.70	NBR	SIJ-451
OR69019800-41	198.00	6.90	VMQ	SIJ-403
OR70019800-08	198.00	7.00	NBR	SIJ-397
OR90019800-D6	198.00	9.00	HNBR	SIJ-744
OR95019800-06	198.00	9.50	NBR	SIJ-547
OR10219800-39	198.00	10.20	VMQ	SIJ-660
OR26219812-08	198.12	2.62	NBR	SIJ-452
OR48019840-08	198.40	4.80	NBR	SIJ-162
OR48019840-08	198.40	4.80	NBR	SIJ-621
OR35319844-08	198.44	3.53	NBR	SIJ-761
OR42019850-08	198.50	4.20	NBR	SIJ-316
OR57019860-43	198.60	5.70	VMQ	SIJ-635
OR10719860-64	198.60	10.70	FKM	SIJ-696
OR38019880-08	198.80	3.80	NBR	SIJ-229
OR21019900-08	199.00	2.10	NBR	SIJ-407
OR25019900-08	199.00	2.50	NBR	SIJ-359
OR30019900-R1	199.00	3.00	FVMQ	SIJ-602
OR35019900-64	199.00	3.50	FKM	SIJ-502
OR35319960-10	199.00	3.53	NBR	SIJ-354
OR40019900-43	199.00	4.00	VMQ	SIJ-370
OR55019900-08	199.00	5.50	NBR	SIJ-298
OR60019900-08	199.00	6.00	NBR	SIJ-530
OR60020000-08	199.00	6.00	FKM	SIJ-385
OR75019900-08	199.00	7.50	NBR	SIJ-467
OR75019900-64	199.00	7.50	FKM	SIJ-600
OR80019900-08	199.00	8.00	NBR	SIJ-365
OR80019900-64	199.00	8.00	FKM	SIJ-752
OR25019910-64	199.10	2.50	FKM	SIJ-656
OR58019910-08	199.10	5.80	NBR	SIJ-204
OR84019910-43	199.10	8.40	VMQ	SIJ-242
OR57019920-08	199.20	5.70	NBR	SIJ-311
OR57019920-66	199.20	5.70	FKM	SIJ-345
OR28019930-08	199.30	2.80	NBR	SIJ-137
OR53319939-11	199.39	5.33	NBR	SIJ-704
OR30019950-08	199.50	3.00	NBR	SIJ-208
OR30019950-41	199.50	3.00	VMQ	SIJ-757
OR84019950-64	199.50	8.40	FKM	SIJ-457
OR84019950-10	199.50	8.40	NBR	SIJ-477
OR25019960-64	199.60	2.50	FKM	SIJ-391
OR15020000-08	200.00	1.50	NBR	SIJ-103
OR17820000-08	200.00	1.78	NBR	SIJ-663
OR20020000-08	200.00	2.00	NBR	SIJ-429
OR20020000-64	200.00	2.00	FKM	SIJ-267
OR25020000-08	200.00	2.50	NBR	SIJ-691
OR26020000-06	200.00	2.60	NBR	SIJ-456
OR26020000-08	200.00	2.60	NBR	SIJ-480
OR36520000-64	200.00	2.65	FKM	SIJ-709
OR28020000-08	200.00	2.80	NBR	SIJ-387

Bold sizes are readily available in stock.
 Other material are available on request.

Part No.	d	c/s	Material	Mould No.
OR30020000-08	200.00	3.00	NBR	SIJ-155
OR30020000-08	200.00	3.00	NBR	SIJ-369
OR30020000-64	200.00	3.00	FKM	SIJ-249
OR31002000-08	200.00	3.10	NBR	SIJ-413
OR35020000-08	200.00	3.50	NBR	SIJ-171
OR35520000-64	200.00	3.55	FKM	SIJ-408
OR37020000-08	200.00	3.70	NBR	SIJ-446
OR40020000-08	200.00	4.00	NBR	SIJ-153
OR40020000-64	200.00	4.00	FKM	SIJ-303
OR40020000-32	200.00	4.00	EPDM	SIJ-573
OR50020000-08	200.00	5.00	NBR	SIJ-124
OR50020000-D7	200.00	5.00	HNBR	SIJ-305
OR50020000-43	200.00	5.00	VMQ	SIJ-568
OR50020000-67	200.00	5.00	FKM	SIJ-561
OR50020000-18	200.00	5.00	CR	SIJ-667
OR50020000-64	200.00	5.00	FKM	SIJ-776
OR53020000-08	200.00	5.30	NBR	SIJ-405
OR53320000-64	200.00	5.33	FKM	SIJ-533
OR55020000-08	200.00	5.50	NBR	SIJ-399
OR57020000-43	200.00	5.70	VMQ	SIJ-528
OR60020000-08	200.00	6.00	NBR	SIJ-326
OR60020000-T3	200.00	6.00	EPDM	SIJ-763
OR63020000-08	200.00	6.30	NBR	SIJ-444
OR63520000-32	200.00	6.35	EPDM	SIJ-223
OR65020000-08	200.00	6.50	NBR	SIJ-624
OR69920000-08	200.00	6.99	NBR	SIJ-108
OR70020000-T5	200.00	7.00	EPDM	SIJ-521
OR70020000-43	200.00	7.00	VMQ	SIJ-483
OR75020000-08	200.00	7.50	NBR	SIJ-200
OR80020000-16	200.00	8.00	CR	SIJ-134
OR80020000-64	200.00	8.00	FKM	SIJ-335
OR85020000-08	200.00	8.50	NBR	SIJ-731
OR10020000-08	200.00	10.00	NBR	SIJ-122
OR10020000-64	200.00	10.00	FKM	SIJ-501
OR10020000-04	200.00	10.00	NBR	SIJ-565
OR12520000-09	200.00	12.50	NBR	SIJ-260
OR13020000-08	200.00	13.00	NBR	SIK-243
OR15020000-08	200.00	15.00	NBR	SIK-152
OR23010600-11	200.00	23.00	NBR	SIK-436
OR30220018-08	200.18	3.02	NBR	SIJ-648
OR24020050-08	200.50	2.40	NBR	SIJ-423
OR26220090-08	200.90	2.62	NBR	SIJ-393
OR35020090-32	200.90	3.50	EPDM	SIJ-548
OR32020100-08	201.00	3.20	NBR	SIJ-560
OR50020100-64	201.00	5.00	FKM	SIJ-168
OR50020100-T5	201.00	5.00	EPDM	SIJ-381
OR55020100-08	201.00	5.50	NBR	SIJ-297
OR57020100-08	201.00	5.70	NBR	SIJ-725
OR60020100-08	201.00	6.00	NBR	SIJ-222
OR70020100-08	201.00	7.00	NBR	SIJ-192
OR17820116-03	201.16	1.78	NBR	SIJ-730
OR55020140-64	201.40	5.50	FKM	SIJ-606
OR47620161-08	201.61	4.76	NBR	SIJ-238
OR40020190-43	201.90	4.00	VMQ	SIJ-518
OR20020200-08	202.00	2.00	NBR	SIJ-556
OR25020200-64	202.00	2.50	FKM	SIJ-497
OR25020200-08	202.00	2.50	NBR	SIJ-567
OR26220200-64	202.00	2.62	FKM	SIJ-404
OR38020200-17	202.00	3.80	CR	SIJ-327
OR40020200-08	202.00	4.00	NBR	SIJ-176
OR50020200-08	202.00	5.00	NBR	SIJ-447
OR55020200-08	202.00	5.50	NBR	SIJ-233
OR70020200-08	202.00	7.00	NBR	SIJ-545
OR80020200-08	202.00	8.00	NBR	SIJ-121
OR95320256-64	202.56	9.53	FKM	SIJ-304
OR53320257-08	202.57	5.33	NBR	SIJ-219
OR53320257-64	202.57	5.33	FKM	SIJ-375
OR53320257-11	202.57	5.33	NBR	SIJ-559
OR69920257-08	202.57	6.99	NBR	SIJ-217
OR69920257-64	202.57	6.99	FKM	SIJ-344
OR69920257-S4	202.57	6.99	HNBR	SIJ-416
OR35320279-08	202.79	3.53	NBR	SIJ-164
OR35320279-N8	202.79	3.53	NBR	SIJ-290

Part No.	d	c/s	Material	Mould No.
OR35320279-64	202.79	3.53	FKM	SIJ-259
OR35320279-T5	202.79	3.53	EPDM	SIJ-558
OR35320279-BN	202.79	3.53	FKM	SIJ-566
OR35320280-34	202.80	3.53	EPDM	SIJ-670
OR35520280-64	202.80	3.55	FKM	SIJ-302
OR17820287-R1	202.87	1.78	FVMQ	SIJ-756
OR20020287-08	202.87	2.00	NBR	SIJ-274
OR20020287-64	202.87	2.00	FKM	SIJ-592
OR26220287-08	202.87	2.62	NBR	SIJ-218
OR26220287-39	202.87	2.62	VMQ	SIJ-557
OR17820292-R1	202.92	1.78	FVMQ	SIJ-601
OR30020300-64	203.00	3.00	FKM	SIJ-460
OR45020300-64	203.00	4.50	FKM	SIJ-619
OR50020300-08	203.00	5.00	NBR	SIJ-685
OR60020300-64	203.00	6.00	FKM	SIJ-167
OR60020300-08	203.00	6.00	NBR	SIJ-272
OR60020300-31	203.00	6.00	EPDM	SIJ-490
OR65020300-08	203.00	6.50	NBR	SIJ-212
OR65020300-67	203.00	6.50	FKM	SIJ-616
OR70020300-08	203.00	7.00	NBR	SIJ-131
OR75020300-08	203.00	7.50	NBR	SIJ-106
OR11020300-64	203.00	11.00	FKM	SIJ-554
OR11020300-32	203.00	11.00	EPDM	SIJ-576
OR17820320-64	203.20	1.78	FKM	SIJ-673
OR22820320-64	203.20	2.28	FKM	SIJ-334
OR31720320-08	203.20	3.17	NBR	SIJ-479
OR32020320-08	203.20	3.20	NBR	SIJ-178
OR53320320-34	203.20	5.33	EPDM	SIJ-661
OR63020320-08	203.20	6.30	NBR	SIJ-152
OR26020330-66	203.30	2.62	FKM	SIJ-356
OR25020350-08	203.50	2.50	NBR	SIJ-522
OR85020350-08	203.50	8.50	NBR	SIJ-148
OR57020360-08	203.60	5.70	NBR	SIJ-637
OR20020400-08	204.00	2.00	NBR	SIJ-492
OR25020400-10	204.00	2.50	NBR	SIJ-291
OR25020400-D5	204.00	2.50	HNBR	SIJ-703
OR30020400-08	204.00	3.00	NBR	SIJ-115
OR35320400-64	204.00	3.53	FKM	SIJ-738
OR40020400-08	204.00	4.00	NBR	SIJ-634
OR40020400-L3	204.00	4.00	AFLAS	SIJ-758
OR42020400-08	204.00	4.20	NBR	SIJ-243
OR55020400-08	204.00	5.50	NBR	SIJ-296
OR60020400-32	204.00	6.00	EPDM	SIJ-581
OR70020400-08	204.00	7.00	NBR	SIJ-357
OR75020400-08	204.00	7.50	NBR	SIJ-459
OR80020400-08	204.00	8.00	NBR	SIJ-524
OR80020400-64	204.00	8.00	FKM	SIJ-743
OR13020400-06	204.00	13.00	NBR	SIK-472
OR26120419-64	204.19	2.61	FKM	SIJ-629
OR57020430-08	204.30	5.70	NBR	SIJ-244
OR84020450-64	204.50	8.40	FKM	SIJ-268
OR84020450-08	204.50	8.40	NBR	SIJ-281
OR14020450-08	204.50	14.00	NBR	SIK-330
OR15020500-64	205.00	1.50	FKM	SIJ-692
OR16020500-64	205.00	1.60	FKM	SIJ-707
OR22020500-08	205.00	2.20	NBR	SIJ-160
OR25020500-08	205.00	2.50	NBR	SIJ-583
OR28020500-08	205.00	2.80	NBR	SIJ-386
OR30020500-11	205.00	3.00	NBR	SIJ-347
OR30020500-64	205.00	3.00	FKM	SIJ-498
OR30020500-64	205.00	3.00	FKM	SIJ-587
OR30020500-08	205.00	3.00	NBR	SIJ-706
OR30020500-32	205.00	3.00	EPDM	SIJ-668
OR35320500-08	205.00	3.53	NBR	SIJ-515
OR40020500-08	205.00	4.00	NBR	SIJ-239
OR50020500-08	205.00	5.00	NBR	SIJ-170
OR50020500-64	205.00	5.00	FKM	SIJ-353
OR53320500-66	205.00	5.33	FKM	SIJ-430
OR55020500-T5	205.00	5.50	EPDM	SIJ-564
OR55320500-45	205.00	5.53	VMQ	SIJ-543
OR57020500-64	205.00	5.70	FKM	SIJ-519
OR60020500-64	205.00	6.00	FKM	SIJ-214
OR60020500-08	205.00	6.00	NBR	SIJ-245

Bold sizes are readily available in stock.
Other material are available on request.

Part No.	d	c/s	Material	Mould No.
OR60020500-32	205.00	6.00	EPDM	SIJ-579
OR60020500-D5	205.00	6.00	HNBR	SIJ-617
OR61020500-10	205.00	6.10	NBR	SIJ-690
OR62020500-64	205.00	6.20	FKM	SIJ-610
OR63520500-10	205.00	6.35	NBR	SIJ-631
OR65020500-08	205.00	6.50	NBR	SIJ-263
OR70020500-08	205.00	7.00	FKM	SIJ-273
OR70020500-08	205.00	7.00	FKM	SIJ-591
OR75020500-64	205.00	7.50	FKM	SIJ-476
OR10020500-10	205.00	10.00	NBR	SIJ-246
OR15020500-64	205.00	15.00	FKM	SIK-116
OR13020513-P8	205.13	13.00	HNBR	SIK-448
OR47520525-66	205.25	4.75	FKM	SIJ-623
OR30020541-64	205.41	3.00	FKM	SIJ-586
OR40620548-64	205.48	4.06	FKM	SIJ-569
OR30020550-43	205.50	3.00	VMQ	SIJ-632
OR57020570-64	205.70	3.00	FKM	SIJ-355
OR12520580-63	205.80	12.50	FKM	SIK-654
OR20020600-08	206.00	2.00	NBR	SIJ-505
OR21020600-08	206.00	2.10	NBR	SIJ-620
OR25020600-32	206.00	2.50	EPDM	SIJ-784
OR30020600-08	206.00	3.00	NBR	SIJ-751
OR36020600-08	206.00	3.60	NBR	SIJ-651
OR45020600-08	206.00	4.50	NBR	SIJ-237
OR50920600-20	206.00	5.09	CR	SIJ-720
OR53320600-32	206.00	5.33	EPDM	SIJ-571
OR60020600-08	206.00	6.00	NBR	SIJ-508
OR60020600-32	206.00	6.00	EPDM	SIJ-765
OR65020600-08	206.00	12.00	NBR	SIJ-468
OR70020600-08	206.00	7.00	NBR	SIJ-266
OR80020600-64	206.00	8.00	FKM	SIJ-400
OR18020600-08	206.00	18.00	NBR	SIK-182
OR53320637-64	206.37	5.33	FKM	SIJ-643
OR38120638-10	206.38	38.10	NBR	SIN-398
OR29720648-64	206.48	2.97	FKM	SIJ-727
OR30020650-42	206.50	3.00	VMQ	SIJ-262
OR95020650-32	206.50	9.50	EPDM	SIK-413
OR30220653-64	206.53	3.02	FKM	SIJ-546
OR30220653-08	206.53	3.02	NBR	SIJ-649
OR53320653-08	206.53	5.33	NBR	SIJ-377
OR10020680-43	206.80	10.00	VMQ	SIK-569
OR17820688-43	206.88	1.78	VMQ	SIJ-645
OR15020700-08	207.00	1.50	NBR	SIJ-225
OR26220700-64	207.00	2.62	FKM	SIJ-367
OR26220700-08	207.00	2.62	NBR	SIJ-570
OR34020700-08	207.00	3.40	NBR	SIJ-379
OR35020700-08	207.00	3.50	NBR	SIJ-174
OR40020700-08	207.00	4.00	NBR	SIJ-683
OR55020700-10	207.00	5.50	NBR	SIJ-510
OR70020700-32	207.00	7.00	EPDM	SIJ-718
OR75020700-10	207.00	7.50	NBR	SIJ-271
OR75020700-34	207.00	7.50	EPDM	SIJ-760
OR80020700-08	207.00	8.00	NBR	SIJ-187
OR10020700-08	207.00	10.00	NBR	SIK-589
OR12020700-08	207.00	12.00	NBR	SIK-286
OR25020700-10	207.00	25.00	NBR	SIM-249
OR17820701-43	207.01	1.78	VMQ	SIJ-638
OR90120726-11	207.26	9.01	NBR	SIK-490
OR90120726-54	207.26	9.01	HNBR	SIK-503
OR35320742-08	207.42	3.53	NBR	SIJ-540
OR50020750-08	207.50	5.00	NBR	SIJ-541
OR13020770-06	207.70	13.00	NBR	SIK-270
OR20020800-20	208.00	2.00	CR	SIJ-341
OR20020800-41	208.00	2.00	VMQ	SIJ-675
OR27520800-L5	208.00	2.75	PU	POD-170
OR30020800-08	208.00	3.00	NBR	SIJ-424
OR30020800-67	208.00	3.00	FKM	SIJ-251
OR35320800-43	208.00	3.53	VMQ	SIJ-516
OR38020800-17	208.00	3.80	CR	SIJ-328
OR40020800-08	208.00	4.00	NBR	SIJ-166
OR40020800-64	208.00	4.00	FKM	SIJ-374
OR50020800-65	208.00	5.00	FKM	SIJ-677
OR51020800-65	208.00	5.10	FKM	SIJ-748

Part No.	d	c/s	Material	Mould No.
OR53020800-64	208.00	5.30	FKM	SIJ-688
OR56020800-66	208.00	5.60	FKM	SIJ-389
OR58020800-43	208.00	5.80	VMQ	SIJ-517
OR60020800-08	208.00	6.00	NBR	SIJ-216
OR62020800-08	208.00	6.20	VMQ	SIJ-317
OR62020800-06	208.00	6.20	NBR	SIJ-472
OR62020800-41	208.00	6.20	VMQ	SIJ-465
OR62020800-67	208.00	6.20	FKM	SIJ-650
OR65020800-08	208.00	6.50	NBR	SIJ-746
OR69902080-08	208.00	6.99	NBR	SIJ-445
OR69902080-64	208.00	6.99	FKM	SIJ-434
OR80020800-08	208.00	8.00	NBR	SIJ-186
OR10020800-08	208.00	10.00	NBR	SIK-401
OR13020800-64	208.00	13.00	FKM	SIK-195
OR20020800-64	208.00	20.00	FKM	SIK-267
OR45320820-08	208.20	4.53	NBR	SIJ-582
OR83020840-11	208.40	8.30	NBR	SIJ-314
OR57020860-08	208.60	5.70	NBR	SIJ-343
OR57020860-43	208.60	5.70	VMQ	SIJ-636
OR69920890-08	208.90	6.99	NBR	SIJ-348
OR53320892-08	208.92	5.33	NBR	SIJ-163
OR53320892-64	208.92	5.33	FKM	SIJ-351
OR35320900-64	209.00	3.53	FKM	SIJ-349
OR53320900-64	209.00	5.33	FKM	SIJ-322
OR53320900-08	209.00	5.33	NBR	SIJ-427
OR55020900-08	209.00	5.50	NBR	SIJ-126
OR60020900-43	209.00	6.00	VMQ	SIJ-315
OR60020900-30	209.00	6.00	EPDM	SIJ-503
OR65020900-08	209.00	6.50	NBR	SIJ-147
OR70020900-16	209.00	7.00	CR	SIJ-120
OR80020900-S4	209.00	8.00	HNBR	SIJ-627
OR10220900-08	209.00	10.20	NBR	SIK-429
OR10220900-43	209.00	10.20	VMQ	SIK-668
OR35320910-11	209.10	3.53	NBR	SIJ-346
OR84020910-08	209.10	8.40	NBR	SIJ-194
OR35320914-08	209.14	3.53	NBR	SIJ-205
OR35320914-64	209.14	3.53	FKM	SIJ-539
OR27020920-20	209.20	2.70	CR	SIJ-378
OR26220922-64	209.22	2.62	FKM	SIJ-207
OR26220922-08	209.22	2.62	NBR	SIJ-418
OR26220922-39	209.22	2.62	VMQ	SIJ-750
OR57020930-08	209.30	5.70	NBR	SIJ-157
OR57020930-R1	209.30	5.70	FVMQ	SIJ-714
OR63520930-11	209.30	6.35	NBR	SIJ-270
OR30020950-64	209.50	3.00	FKM	SIJ-301
OR30020950-08	209.50	3.00	NBR	SIJ-596
OR30020950-R1	209.50	3.00	FVMQ	SIJ-640
OR40020950-08	209.50	4.00	NBR	SIJ-141
OR84020950-64	209.50	8.40	FKM	SIK-283
OR31720955-08	209.55	3.17	NBR	SIJ-496
OR237520955-18	209.55	23.75	CR	SIM-458
OR50820955-10	209.55	50.80	NBR	SIP-344
OR15021000-41	210.00	1.50	VMQ	SIJ-684
OR20021000-08	210.00	2.00	NBR	SIJ-364
OR25021000-66	210.00	2.50	FKM	SIJ-589
OR30021000-08	210.00	3.00	NBR	SIJ-199
OR30021000-08	210.00	3.00	NBR	SIJ-350
OR35321000-08	210.00	3.53	NBR	SIJ-431
OR36021000-64	210.00	3.60	FKM	SIJ-288
OR38021000-64	210.00	3.80	FKM	SIJ-639
OR40021000-08	210.00	4.00	NBR	SIJ-487
OR40021000-64	210.00	4.00	FKM	SIJ-614
OR45021000-08	210.00	4.50	NBR	SIJ-486
OR45021000-64	210.00	4.50	FKM	SIJ-686
OR48021000-64	210.00	4.80	FKM	SIJ-687
OR50021000-42	210.00	5.00	VMQ	SIJ-144
OR50021000-08	210.00	5.00	NBR	SIJ-320
OR50021000-18	210.00	5.00	CR	SIJ-666
OR50021000-32	210.00	5.00	EPDM	SIJ-779
OR51021000-66	210.00	5.10	FKM	SIJ-740
OR53300210-08	210.00	5.33	NBR	SIJ-488
OR53321000-T5	210.00	5.33	EPDM	SIJ-671
OR57021000-64	210.00	5.70	FKM	SIJ-324

Bold sizes are readily available in stock.
 Other material are available on request.

Part No.	d	c/s	Material	Mould No.
OR57521000-08	210.00	5.75	NBR	SIJ-362
OR60021000-64	210.00	6.00	FKM	SIJ-532
OR60021000-T5	210.00	6.00	EPDM	SIJ-520
OR60021000-L5	210.00	6.00	PU	POD-150
OR60021000-08	210.00	6.00	NBR	SIJ-626
OR70021000-08	210.00	7.00	NBR	SIJ-138
OR70021000-08	210.00	7.00	NBR	SIJ-196
OR7002100-64	210.00	7.00	FKM	SIJ-535
OR75021000-08	210.00	7.50	NBR	SIJ-188
OR80021000-08	210.00	8.00	NBR	SIK-103
OR85021000-64	210.00	8.50	FKM	SIK-609
OR86021000-64	210.00	8.60	FKM	SIK-534
OR90021000-D5	210.00	9.00	HNBR	SIK-659
OR95021000-06	210.00	9.50	NBR	SIK-316
OR95021000-41	210.00	9.50	VMQ	SIK-455
OR10021000-08	210.00	10.00	NBR	SIK-238
OR10021000-43	210.00	10.00	VMQ	SIK-219
OR10521000-45	210.00	10.50	VMQ	SIK-357
OR12021000-T2	210.00	12.00	VMQ	SIK-669
OR69921024-08	210.24	6.99	NBR	SIJ-294
OR69921024-64	210.24	6.99	FKM	SIJ-439
OR35021028-08	210.28	3.50	NBR	SIJ-440
OR25021100-67	211.00	2.50	FKM	SIJ-689
OR25021100-08	211.00	2.50	NBR	SIJ-767
OR40021100-08	211.00	4.00	NBR	SIJ-140
OR45021100-08	211.00	4.50	NBR	SIJ-116
OR55521100-08	211.00	5.55	NBR	SIJ-333
OR30021120-08	211.20	3.00	NBR	SIJ-694
OR50021120-08	211.20	5.00	NBR	SIJ-276
OR80021150-08	211.50	8.00	NBR	SIK-390
OR36021160-08	211.60	3.60	NBR	SIJ-419
OR10021190-64	211.90	1.00	FKM	SIJ-736
OR25021200-10	212.00	2.50	NBR	SIJ-293
OR25021200-43	212.00	2.50	VMQ	SIJ-313
OR26221200-08	212.00	2.62	NBR	SIJ-551
OR30021200-08	212.00	3.00	NBR	SIJ-173
OR30021200-64	212.00	3.00	FKM	SIJ-511
OR30021200-08	212.00	3.00	NBR	SIJ-478
OR35021200-08	212.00	3.50	NBR	SIJ-158
OR35021200-08	212.00	3.50	NBR	SIJ-142
OR35321200-66	212.00	3.53	FKM	SIJ-402
OR40021200-64	212.00	4.00	FKM	SIJ-307
OR40021200-08	212.00	4.00	NBR	SIJ-659
OR45021200-08	212.00	4.50	NBR	SIJ-287
OR50021200-64	212.00	5.00	FKM	SIJ-464
OR50021200-32	212.00	5.00	EPDM	SIJ-722
OR53021200-08	212.00	5.30	NBR	SIJ-232
OR53321200-64	212.00	5.33	FKM	SIJ-588
OR60021200-08	212.00	6.00	NBR	SIJ-230
OR62521200-08	212.00	6.25	NBR	SIJ-358
OR63021200-66	212.00	6.30	FKM	SIJ-642
OR65021200-08	212.00	6.50	NBR	SIJ-368
OR70021200-64	212.00	7.00	FKM	SIK-360
OR70021200-08	212.00	7.00	NBR	SIK-321
OR80021200-64	212.00	8.00	FKM	SIK-440
OR80021200-T5	212.00	8.00	EPDM	SIK-658
OR85021200-08	212.00	8.50	NBR	SIK-564
OR10021200-08	212.00	10.00	NBR	SIK-647
OR12021200-08	212.00	12.00	NBR	SIK-304
OR50021220-28	212.20	5.00	EPDM	SIJ-721
OR35021250-08	212.50	3.50	NBR	SIJ-469
OR24021260-08	212.60	2.40	NBR	SIJ-506
OR63521270-08	212.70	6.35	NBR	SIK-135
OR31821272-08	212.72	3.18	NBR	SIJ-775
OR53321272-34	212.72	5.33	EPDM	SIJ-662
OR30021300-32	213.00	3.00	EPDM	SIJ-337
OR35021300-08	213.00	3.50	NBR	SIJ-277
OR55021300-64	213.00	5.50	FKM	SIJ-562
OR60021300-08	213.00	6.00	NBR	SIJ-198
OR75021300-08	213.00	7.50	NBR	SIK-474
OR85021300-08	213.00	8.50	NBR	SIK-224
OR93021300-08	213.00	9.30	NBR	SIK-132
OR57021310-10	213.10	5.70	NBR	SIJ-678

Part No.	d	c/s	Material	Mould No.
OR57021337-66	213.37	5.70	FKM	SIJ-598
OR55021350-08	213.50	5.50	NBR	SIJ-773
OR69902135-67	213.50	6.99	FKM	SIK-519
OR40021360-08	213.60	4.00	NBR	SIJ-396
OR70021397-08	213.97	7.00	NBR	SIK-306
OR20021400-08	214.00	2.00	NBR	SIJ-206
OR20021400-43	214.00	2.00	VMQ	SIJ-611
OR30021400-08	214.00	3.00	NBR	SIJ-133
OR30021400-66	214.00	3.00	FKM	SIJ-461
OR30021400-08	214.00	3.00	NBR	SIJ-724
OR40021400-08	214.00	4.00	NBR	SIJ-146
OR40021400-65	214.00	4.00	FKM	SIJ-630
OR45021400-08	214.00	4.50	NBR	SIJ-658
OR50021400-08	214.00	5.00	NBR	SIJ-189
OR53300214-08	214.00	5.33	NBR	SIJ-489
OR60021400-07	214.00	6.00	NBR	SIK-667
OR65021400-64	214.00	6.50	FKM	SIK-370
OR80021400-08	214.00	8.00	NBR	SIK-104
OR80021400-66	214.00	8.00	FKM	SIK-562
OR10021400-08	214.00	10.00	NBR	SIK-244
OR57021430-08	214.30	5.70	FKM	SIK-191
OR47621432-08	214.32	4.76	NBR	SIJ-774
OR30021450-08	214.50	3.00	NBR	SIJ-450
OR57021450-64	214.50	5.70	FKM	SIK-441
OR84021450-08	214.50	8.40	NBR	SIK-262
OR90021450-08	214.50	9.00	NBR	SIK-424
OR95021470-08	214.70	9.50	NBR	SIK-387
OR15021500-08	215.00	1.50	NBR	SIJ-608
OR16021500-64	215.00	1.60	FKM	SIJ-708
OR17821500-08	215.00	1.78	NBR	SIJ-759
OR25002150-08	215.00	2.50	NBR	SIJ-523
OR30021500-08	215.00	3.00	NBR	SIJ-127
OR30021500-64	215.00	3.00	FKM	SIJ-654
OR40021500-43	215.00	4.00	VMQ	SIJ-509
OR40021500-U4	215.00	4.00	EPDM	SIJ-500
OR40021500-08	215.00	4.00	NBR	SIJ-493
OR40021500-U4	215.00	4.00	EPDM	SIJ-500
OR40021500-U2	215.00	4.00	FKM	SIJ-613
OR50021500-08	215.00	5.00	NBR	SIJ-526
OR50021500-66	215.00	5.00	FKM	SIJ-443
OR55021500-64	215.00	5.50	FKM	SIK-485
OR56021500-65	215.00	5.60	FKM	SIK-599
OR57021500-08	215.00	5.70	NBR	SIK-310
OR60021500-08	215.00	6.00	NBR	SIK-222
OR60021500-64	215.00	6.00	FKM	SIK-326
OR62021500-10	215.00	6.20	NBR	SIK-690
OR63521500-10	215.00	6.35	NBR	SIK-115
OR69921500-66	215.00	6.99	FKM	SIK-336
OR75021500-64	215.00	7.50	FKM	SIK-317
OR75021500-08	215.00	7.50	NBR	SIK-124
OR80021500-37	215.00	8.00	VMQ	SIK-435
OR80021500-64	215.00	8.00	FKM	SIJ-325
OR80021500-08	215.00	8.00	NBR	SIK-608
OR84021500-64	215.00	8.40	FKM	SIK-303
OR85021500-08	215.00	8.50	NBR	SIK-679
OR90021500-08	215.00	9.00	NBR	SIK-469
OR10021500-08	215.00	10.00	NBR	SIK-150
OR11021500-T3	215.00	11.00	EPDM	SIK-557
OR13021500-08	215.00	13.00	NBR	SIK-418
OR15521500-08	215.00	15.50	NBR	SIK-320
OR67521520-08	215.20	6.75	NBR	SIK-161
OR53321527-N8	215.27	5.33	NBR	SIK-282
OR53321527-08	215.27	5.33	NBR	SIK-227
OR53321527-64	215.27	5.33	FKM	SIK-230
OR53321527-64	215.27	5.33	FKM	SIK-194
OR69921527-08	215.27	6.99	NBR	SIK-170
OR69921527-O4	215.27	6.99	FKM	SIK-480
OR70021530-34	215.30	7.00	EPDM	SIK-252
OR35321549-08	215.49	3.53	NBR	SIJ-254
OR35321549-08	215.49	3.53	NBR	SIJ-363
OR35321549-64	215.49	3.53	FKM	SIJ-380
OR35021550-64	215.50	3.50	FKM	SIJ-734
OR35321550-43	215.50	3.53	VMQ	SIJ-284

Bold sizes are readily available in stock.
Other material are available on request.

Part No.	d	c/s	Material	Mould No.
OR26221557-08	215.57	2.62	NBR	SIJ-436
OR26221557-22	215.57	2.62	CR	SIJ-771
OR26221558-D5	215.58	2.62	HNBR	SIJ-769
OR22021560-64	215.60	2.20	FKM	SIJ-537
OR26221570-64	215.70	2.62	FKM	SIJ-421
OR47621590-08	215.90	4.76	NBR	SIK-376
OR63521590-10	215.90	6.35	NBR	SIK-488
OR12721590-08	215.90	12.70	NBR	SIK-677
OR15021600-08	216.00	1.50	NBR	SIJ-681
OR24021600-08	216.00	2.40	NBR	SIJ-679
OR28021600-43	216.00	2.80	VMQ	SIJ-542
OR30021600-08	216.00	3.00	NBR	SIJ-110
OR32021600-08	216.00	3.20	NBR	SIJ-102
OR40021600-10	216.00	4.00	NBR	SIJ-220
OR45021600-08	216.00	4.50	NBR	SIJ-331
OR46021600-R1	216.00	4.60	FVMQ	SIK-630
OR50021600-L5	216.00	5.00	PU	POD-132
OR50021600-T3	216.00	5.00	EPDM	SIK-561
OR57021600-43	216.00	5.70	VMQ	SIK-512
OR70021600-64	216.00	7.00	FKM	SIK-366
OR80021600-64	216.00	8.00	FKM	SIK-491
OR18021600-08	216.00	18.00	NBR	SIM-118
OR20021600-08	216.00	20.00	NBR	SIM-338
OR92021620-08	216.20	9.20	NBR	SIK-148
OR15021650-08	216.50	1.50	NBR	SIJ-698
OR55021680-66	216.80	5.50	FKM	SIK-234
OR30021700-32	217.00	3.00	EPDM	SIJ-512
OR30021700-64	217.00	3.00	FKM	SIJ-398
OR35021700-08	217.00	3.50	NBR	SIJ-117
OR40021700-08	217.00	4.00	NBR	SIJ-201
OR50021700-08	217.00	5.00	NBR	SIK-145
OR50021700-T5	217.00	5.00	EPDM	SIK-591
OR10221700-43	217.00	10.20	VMQ	SIK-502
OR22021750-08	217.50	2.20	NBR	SIJ-101
OR27021750-39	217.50	2.70	VMQ	SIJ-575
OR50021750-64	217.50	5.00	FKM	SIK-498
OR10021759-08	217.59	10.00	NBR	SIK-565
OR40021760-64	217.60	4.00	FKM	SIK-463
OR20021800-43	218.00	2.00	VMQ	SIJ-612
OR20021800-08	218.00	2.00	NBR	SIJ-723
OR25021800-32	218.00	2.50	EPDM	SIJ-227
OR25021800-08	218.00	2.50	NBR	SIJ-428
OR30021800-08	218.00	3.00	NBR	SIJ-161
OR30021800-64	218.00	3.00	FKM	SIJ-481
OR35021800-08	218.00	3.50	NBR	SIJ-179
OR35521800-64	218.00	3.55	FKM	SIJ-463
OR40021800-20	218.00	4.00	CR	SIK-371
OR40021800-08	218.00	4.00	NBR	SIK-530
OR53021800-08	218.00	5.30	NBR	SIK-406
OR53021800-64	218.00	5.30	FKM	SIK-636
OR55021800-10	218.00	5.50	NBR	SIK-305
OR58021800-08	218.00	5.80	NBR	SIK-278
OR58021800-64	218.00	5.80	FKM	SIK-623
OR60021800-64	218.00	6.00	FKM	SIK-339
OR60021800-08	218.00	6.00	NBR	SIK-165
OR65021800-64	218.00	6.50	FKM	SIK-603
OR65021800-08	218.00	6.50	NBR	SIK-653
OR70021800-08	218.00	7.00	NBR	SIK-155
OR70021800-64	218.00	7.00	FKM	SIK-547
OR95021800-06	218.00	9.50	NBR	SIK-478
OR10021800-08	218.00	10.00	NBR	SIK-452
OR35321819-32	218.19	3.53	EPDM	SIK-584
OR45021850-08	218.50	4.50	NBR	SIK-256
OR45021850-08	218.50	4.50	NBR	SIK-213
OR62021850-09	218.50	6.20	NBR	SIK-335
OR57021860-64	218.60	5.70	FKM	SIK-333
OR20021900-08	219.00	2.00	NBR	SIJ-753
OR25021900-20	219.00	2.50	CR	SIJ-342
OR26021900-08	219.00	2.60	NBR	SIJ-412
OR35021900-11	219.00	3.50	NBR	SIK-417
OR40021900-08	219.00	4.00	NBR	SIK-225
OR40021900-64	219.00	4.00	FKM	SIK-226
OR80021900-08	219.00	8.00	NBR	SIK-652

Part No.	d	c/s	Material	Mould No.
OR10312190-08	219.00	10.31	FKM	SIK-189
OR22021900-06	219.00	22.00	NBR	SIM-241
OR31821907-08	219.07	3.18	NBR	SIK-685
OR69921907-64	219.07	6.99	FKM	SIK-601
OR222221907-08	219.07	22.22	NBR	SIM-426
OR84021910-64	219.10	8.40	FKM	SIK-483
OR84021910-R1	219.10	8.40	FVMQ	SIK-558
OR84021910-08	219.10	8.40	NBR	SIK-674
OR57021930-R1	219.30	5.70	FVMQ	SIK-375
OR57021930-08	219.30	5.70	NBR	SIK-149
OR64521930-06	219.30	6.45	NBR	SIK-347
OR64521930-06	219.30	6.45	NBR	SIK-348
OR53021940-64	219.40	5.30	FKM	SIK-411
OR30021950-R1	219.50	3.00	FVMQ	SIK-580
OR30021950-06	219.50	3.00	NBR	SIK-687
OR40021950-08	219.50	4.00	NBR	SIK-525
OR84021950-08	219.50	8.40	NBR	SIK-204
OR15022000-08	220.00	1.50	NBR	SIJ-655
OR17822000-08	220.00	1.78	NBR	SIJ-770
OR20022000-10	220.00	2.00	NBR	SIJ-241
OR20022000-32	220.00	2.00	EPDM	SIJ-777
OR23422000-10	220.00	2.34	NBR	SIJ-785
OR26222000-64	220.00	2.62	FKM	SIK-541
OR30022000-08	220.00	3.00	NBR	SIK-337
OR30022000-43	220.00	3.00	VMQ	SIK-410
OR31122000-08	220.00	3.00	NBR	SIK-162
OR30022000-64	220.00	3.00	FKM	SIK-556
OR31722000-11	220.00	3.17	NBR	SIK-414
OR32002200-67	220.00	3.20	FKM	SIK-217
OR35022000-64	220.00	3.50	FKM	SIK-331
OR40022000-64	220.00	4.00	FKM	SIK-257
OR40022000-08	220.00	4.00	NBR	SIK-521
OR45022000-64	220.00	4.50	FKM	SIK-538
OR50022000-64	220.00	5.00	FKM	SIK-385
OR50022000-08	220.00	5.00	NBR	SIK-128
OR55022000-08	220.00	5.50	NBR	SIK-183
OR55022000-64	220.00	5.50	FKM	SIK-430
OR56022000-08	220.00	5.60	NBR	SIK-522
OR60022000-08	220.00	6.00	NBR	SIK-198
OR60022000-64	220.00	6.00	FKM	SIK-368
OR65022000-08	220.00	6.50	NBR	SIK-102
OR65022000-64	220.00	6.50	FKM	SIK-629
OR67522000-08	220.00	6.75	NBR	SIK-130
OR70022000-T5	220.00	7.00	EPDM	SIK-451
OR70022000-08	220.00	7.00	NBR	SIK-114
OR70022000-64	220.00	7.00	FKM	SIK-364
OR75022000-64	220.00	7.50	FKM	SIK-264
OR80022000-64	220.00	8.00	FKM	SIK-433
OR80022000-08	220.00	8.00	NBR	SIK-388
OR80022000-T5	220.00	8.00	EPDM	SIK-657
OR85022000-08	220.00	8.50	NBR	SIK-346
OR90022900-64	220.00	9.00	FKM	SIK-447
OR10022000-63	220.00	10.00	FKM	SIK-664
OR10222000-38	220.00	10.20	VMQ	SIK-107
OR12022000-08	220.00	12.00	NBR	SIK-218
OR15022000-08	220.00	15.00	NBR	SIK-680
OR84022050-66	220.50	8.40	FKM	SIK-236
OR26222100-08	221.00	2.62	NBR	SIK-486
OR35022100-64	221.00	3.50	FKM	SIK-266
OR55022100-64	221.00	5.50	FKM	SIK-496
OR80022100-08	221.00	8.00	NBR	SIK-192
OR53322134-66	221.34	5.33	FKM	SIK-635
OR57022150-11	221.50	5.70	NBR	SIK-309
OR57022150-64	221.50	5.70	FKM	SIK-425
OR75022150-64	221.50	7.50	FKM	SIK-515
OR69922160-35	221.60	6.99	EPDM	SIK-672
OR70022160-64	221.60	7.00	FKM	SIK-121
OR75022160-S4	221.60	7.50	HNBR	SIK-500
OR53322162-32	221.62	5.33	EPDM	SIK-437
OR53322162-08	221.62	5.33	NBR	SIK-206
OR53322162-64	221.62	5.33	FKM	SIK-327
OR69922162-64	221.62	6.99	FKM	SIK-453
OR35322184-64	221.84	3.53	FKM	SIK-260

Bold sizes are readily available in stock.
 Other material are available on request.

Part No.	d	c/s	Material	Mould No.
OR35322184-08	221.84	3.53	NBR	SIK-123
OR35322184-D5	221.84	3.53	HNBR	SIK-570
OR35322184-34	221.84	3.53	EPDM	SIK-575
OR35322184-59	221.84	3.53	PU	POD-169
OR26222192-64	221.92	2.62	FKM	SIK-389
OR28022192-66	221.92	2.80	FKM	SIK-622
OR25022200-08	222.00	2.50	NBR	SIK-499
OR40022200-08	222.00	4.00	NBR	SIK-207
OR50022200-64	222.00	5.00	FKM	SIK-508
OR53322200-66	222.00	5.33	FKM	SIK-220
OR55022200-64	222.00	5.50	FKM	SIK-434
OR60022200-64	222.00	6.00	FKM	SIK-402
OR70022200-08	222.00	7.00	FKM	SIK-249
OR10222200-39	222.00	10.20	VMQ	SIK-594
OR35322225-08	222.25	3.53	NBR	SIK-279
OR63522225-08	222.25	6.35	NBR	SIK-681
OR32022230-08	222.30	3.20	NBR	SIK-109
OR21722230-08	222.30	12.70	NBR	SIK-138
OR12722237-06	222.37	12.70	NBR	SIM-272
OR10022240-39	222.40	10.00	VMQ	SIK-382
OR12722240-06	222.40	12.70	NBR	SIK-400
OR12722240-64	222.40	12.70	FKM	SIK-586
OR95022250-08	222.50	9.50	NBR	SIK-167
OR10022300-08	223.00	1.00	NBR	SIJ-780
OR15022300-08	223.00	1.50	NBR	SIK-384
OR20022300-08	223.00	2.00	NBR	SIK-363
OR20022300-41	223.00	2.00	VMQ	SIK-583
OR20022300-32	223.00	2.00	EPDM	SIK-675
OR26222300-66	223.00	2.62	FKM	SIK-377
OR30022300-08	223.00	3.00	NBR	SIK-211
OR30022300-D5	223.00	3.00	HNBR	SIK-458
OR30022300-64	223.00	3.00	FKM	SIK-353
OR30022300-32	223.00	3.00	EPDM	SIK-560
OR30022300-08	223.00	3.00	NBR	SIK-663
OR40022300-08	223.00	4.00	NBR	SIK-568
OR40022300-64	223.00	4.00	FKM	SIK-633
OR45022300-08	223.00	4.50	NBR	SIK-175
OR50022300-08	223.00	5.00	NBR	SIK-163
OR60022300-08	223.00	6.00	NBR	SIK-156
OR10022300-20	223.00	10.00	CR	SIK-275
OR15022300-06	223.00	15.00	NBR	SIM-240
OR16022300-08	223.00	16.00	NBR	SIM-433
OR47522314-43	223.14	4.75	VMQ	SIK-590
OR84022320-64	223.20	8.40	FKM	SIK-443
OR26022340-08	223.40	2.60	NBR	SIK-158
OR37022360-08	223.60	3.70	NBR	SIK-232
OR10222360-45	223.60	10.20	VMQ	SIK-465
OR12022370-66	223.70	12.00	FKM	SIK-678
OR17822400-08	224.00	1.78	NBR	SIK-643
OR25022400-08	224.00	2.50	NBR	SIK-403
OR30022400-06	224.00	3.00	NBR	SIK-341
OR35322400-66	224.00	3.53	FKM	SIK-359
OR35522400-32	224.00	3.55	EPDM	SIK-598
OR38022400-08	224.00	3.80	NBR	SIK-688
OR40022400-U4	224.00	4.00	EPDM	SIK-494
OR40022400-U2	224.00	4.00	FKM	SIK-520
OR53022400-08	224.00	5.30	NBR	SIK-210
OR55022400-08	224.00	5.50	NBR	SIK-416
OR63022400-64	224.00	6.30	FKM	SIK-464
OR70022400-08	224.00	7.00	NBR	SIK-118
OR75022400-08	224.00	7.50	NBR	SIK-106
OR80022400-43	224.00	8.00	VMQ	SIK-449
OR80022400-08	224.00	8.00	NBR	SIK-164
OR95022400-06	224.00	9.50	NBR	SIK-461
OR10022400-42	224.00	10.00	VMQ	SIK-301
OR12722400-41	224.00	12.70	VMQ	SIK-446
OR84022410-08	224.10	8.40	NBR	SIK-605
OR31022430-08	224.30	3.10	NBR	SIK-473
OR57022430-11	224.30	5.70	NBR	SIK-240
OR57022430-64	224.30	5.70	FKM	SIK-644
OR84022450-08	224.50	8.40	NBR	SIK-125
OR84022450-08	224.50	8.40	VMQ	SIK-349
OR35022486-08	224.86	3.50	NBR	SIK-386

Part No.	d	c/s	Material	Mould No.
OR30022500-08	225.00	3.00	NBR	SIK-334
OR30022500-64	225.00	3.00	FKM	SIK-497
OR33022500-64	225.00	3.30	FKM	SIK-550
OR35522500-08	225.00	3.55	NBR	SIK-295
OR40022500-64	225.00	4.00	FKM	SIK-298
OR40022500-08	225.00	4.00	NBR	SIK-196
OR40022500-20	225.00	4.00	CR	SIK-466
OR50022500-08	225.00	5.00	NBR	SIK-117
OR50022500-64	225.00	5.00	FKM	SIK-379
OR50022500-18	225.00	5.00	CR	SIK-567
OR55022500-64	225.00	5.50	FKM	SIK-203
OR57022500-11	225.00	5.70	NBR	SIK-477
OR60022500-08	225.00	6.00	NBR	SIK-137
OR60022500-43	225.00	6.00	VMQ	SIK-345
OR60022500-32	225.00	6.00	EPDM	SIK-602
OR65022500-08	225.00	6.50	NBR	SIK-253
OR70022500-66	225.00	7.00	FKM	SIK-312
OR80022500-S9	225.00	8.00	VMQ	SIK-660
OR90022500-08	225.00	9.00	NBR	SIK-460
OR13022500-08	225.00	13.00	NBR	SIM-231
OR57022530-64	225.30	5.70	FKM	SIK-438
OR80022540-08	225.40	8.00	NBR	SIK-122
OR96522543-64	225.43	9.65	FKM	SIK-528
OR30222558-D5	225.58	3.02	HNBR	SIK-618
OR73022590-08	225.90	7.30	NBR	SIK-471
OR26222600-08	226.00	2.62	NBR	SIK-510
OR55022600-17	226.00	5.50	CR	SIK-277
OR55322600-08	226.00	5.53	NBR	SIK-269
OR60022600-08	226.00	6.00	NBR	SIK-691
OR65022600-08	226.00	6.50	NBR	SIK-177
OR65022600-64	226.00	6.50	FKM	SIK-544
OR70022600-08	226.00	7.00	NBR	SIK-180
OR75022600-08	226.00	7.50	NBR	SIK-671
OR77022600-06	226.00	7.70	NBR	SIK-442
OR83022600-64	226.00	8.30	FKM	SIK-268
OR16022600-08	226.00	16.00	NBR	SIM-293
OR35322629-66	226.29	3.53	FKM	SIK-526
OR40022632-32	226.32	4.00	EPDM	SIK-579
OR35322647-08	226.47	3.53	NBR	SIK-126
OR22022670-08	226.70	2.20	NBR	SIK-548
OR55022670-64	226.70	5.50	FKM	SIK-233
OR17822700-32	227.00	1.78	EPDM	SIK-628
OR30022700-08	227.00	3.00	FKM	SIK-184
OR35022700-66	227.00	3.50	FKM	SIK-492
OR40022700-66	227.00	4.00	FKM	SIK-614
OR50022700-08	227.00	5.00	NBR	SIK-380
OR55022700-67	227.00	5.50	FKM	SIK-517
OR55022700-06	227.00	5.50	NBR	SIK-509
OR57022700-08	227.00	5.70	NBR	SIK-475
OR80022700-66	227.00	8.00	FKM	SIK-405
OR80022700-16	227.00	8.00	CR	SIK-181
OR90022700-08	227.00	9.00	NBR	SIK-166
OR10222700-37	227.00	10.20	VMQ	SIK-142
OR12522700-08	227.00	12.50	NBR	SIM-378
OR47722701-08	227.01	4.77	NBR	SIK-683
OR35022740-08	227.40	3.50	NBR	SIK-113
OR60022760-08	227.60	6.00	NBR	SIK-276
OR47622780-08	227.80	4.76	NBR	SIK-216
OR69822796-64	227.96	6.98	FKM	SIK-294
OR53322797-43	227.97	5.33	VMQ	SIK-296
OR53322797-64	227.97	5.33	FKM	SIK-259
OR53322797-08	227.97	5.33	NBR	SIK-174
OR53322797-Z1	227.97	5.33	HNBR	SIK-611
OR53322797-67	227.97	5.33	FKM	SIK-642
OR53322797-D6	227.97	5.33	HNBR	SIK-638
OR69922797-08	227.97	6.99	NBR	SIK-254
OR69922797-08	227.97	6.99	NBR	SIK-140
OR69922797-T9	227.97	6.99	FKM	SIK-470
OR17822800-64	228.00	1.78	FKM	SIK-482
OR20022800-08	228.00	2.00	NBR	SIK-147
OR25022800-08	228.00	2.50	NBR	SIK-476
OR30022800-64	228.00	3.00	FKM	SIK-354
OR30022800-34	228.00	3.00	EPDM	SIK-319

Bold sizes are readily available in stock.
Other material are available on request.

Part No.	d	c/s	Material	Mould No.
OR40022800-66	228.00	4.00	FKM	SIK-356
OR40022800-43	228.00	4.00	VMQ	SIK-412
OR40022800-08	228.00	4.00	NBR	SIK-153
OR45022800-32	228.00	4.50	EPDM	SIK-554
OR50022800-08	228.00	5.00	NBR	SIK-350
OR51022800-65	228.00	5.10	FKM	SIK-600
OR55022800-67	228.00	5.50	FKM	SIK-514
OR69922800-10	228.00	6.99	NBR	SIK-358
OR72522800-66	228.00	7.25	FKM	SIK-215
OR75022800-08	228.00	7.50	NBR	SIK-670
OR85022800-08	228.00	8.50	NBR	SIK-432
OR11022800-10	228.00	11.00	NBR	SIK-338
OR12022800-08	228.00	12.00	NBR	SIM-289
OR13022800-08	228.00	13.00	NBR	SIM-355
OR35322819-38	228.19	3.53	VMQ	SIK-261
OR35322819-08	228.19	3.53	NBR	SIK-151
OR35322819-64	228.19	3.53	FKM	SIK-610
OR26222827-08	228.27	2.62	NBR	SIK-185
OR26222827-S4	228.27	2.62	HNBR	SIK-468
OR17822850-O3	228.50	1.78	NBR	SIK-665
OR31722860-20	228.60	3.17	CR	SIK-190
OR57022860-08	228.60	5.70	NBR	SIK-307
OR63522860-08	228.60	6.35	NBR	SIK-229
OR63522860-64	228.60	6.35	FKM	SIK-540
OR65022860-08	228.60	6.50	NBR	SIK-495
OR69922860-64	228.60	6.99	FKM	SIK-395
OR84022860-D5	228.60	8.40	HNBR	SIK-273
OR95222860-08	228.60	9.52	NBR	SIK-529
OR30022900-08	229.00	3.00	NBR	SIK-408
OR35022900-64	229.00	3.50	FKM	SIK-288
OR35322900-11	229.00	3.53	NBR	SIK-248
OBUE2300803-08	229.00	5.50	NBR	SIK-421
OR55022900-67	229.00	5.50	FKM	SIK-518
OR60022900-08	229.00	6.00	NBR	SIK-237
OR60022900-64	229.00	6.00	FKM	SIK-396
OR65022900-08	229.00	6.50	NBR	SIK-655
OR70022900-08	229.00	7.00	NBR	SIK-169
OR80022900-L5	229.00	8.00	PU	POD-156
OR10222900-39	229.00	10.20	VMQ	SIK-378
OR31022930-08	229.30	3.10	NBR	SIK-393
OR57022930-08	229.30	5.70	NBR	SIK-297
OR57022930-64	229.30	5.70	FKM	SIK-205
OR57022930-R1	229.30	5.70	FVMQ	SIK-552
OR30022950-67	229.50	3.00	FKM	SIK-235
OR30022950-64	229.50	3.00	FKM	SIK-322
OR30022950-08	229.50	3.00	NBR	SIK-487
OR30022950-R1	229.50	3.00	VMQ	SIK-533
OR84022950-08	229.50	8.40	NBR	SIK-284
OR17822980-08	229.80	1.78	NBR	SIK-582
OR17823000-64	230.00	1.78	FKM	SIK-634
OR20023000-08	230.00	2.00	NBR	SIK-545
OR25023000-08	230.00	2.50	NBR	SIK-392
OR27023000-64	230.00	2.70	FKM	SIK-555
OR30023000-08	230.00	3.00	NBR	SIK-445
OR30023000-08	230.00	3.00	NBR	SIK-323
OR30023000-08	230.00	3.00	NBR	SIK-131
OR30023000-64	230.00	3.00	FKM	SIK-615
OR33023000-43	230.00	3.30	VMQ	SIK-597
OR40023000-08	230.00	4.00	NBR	SIK-139
OR40023000-64	230.00	4.00	FKM	SIK-524
OR40023000-39	230.00	4.00	VMQ	SIK-621
OR45023000-08	230.00	4.50	NBR	SIK-383
OR50023000-64	230.00	5.00	FKM	SIK-313
OR50023000-08	230.00	5.00	NBR	SIK-101
OR50023000-L3	230.00	5.00	AFLAS	SIK-612
OBUE2320801-08	230.00	5.33	NBR	SIK-420
OR60023000-32	230.00	6.00	EPDM	SIK-627
OR65023000-08	230.00	6.50	NBR	SIK-157
OR65023000-64	230.00	6.50	FKM	SIK-604
OR70023000-08	230.00	7.00	NBR	SIK-111
OR70023000-64	230.00	7.00	FKM	SIK-369
OR80023000-66	230.00	8.00	FKM	SIK-172
OR80023000-08	230.00	8.00	NBR	SIK-624

Part No.	d	c/s	Material	Mould No.
OR85023000-08	230.00	8.50	NBR	SIK-136
OR90023000-08	230.00	9.00	NBR	SIK-221
OR10023000-42	230.00	10.00	VMQ	SIK-302
OR10023000-08	230.00	10.00	NBR	SIK-108
OR25023000-32	230.00	25.00	EPDM	SIN-457
OR35023048-08	230.48	3.50	NBR	SIK-355
OR30023100-41	231.00	3.00	VMQ	SIK-342
OR32023100-08	231.00	3.20	NBR	SIK-577
OR35023100-08	231.00	3.50	NBR	SIK-311
OR65023100-08	231.00	6.50	NBR	SIK-650
OR17823150-64	231.50	1.78	FKM	SIK-661
OR70023150-L5	231.50	7.00	PU	POD-134
OR17823177-64	231.77	1.78	FKM	SIK-639
OR35323177-64	231.77	3.53	FKM	SIK-553
OR53323177-08	231.77	5.33	NBR	SIK-542
OR53323177-64	231.77	5.33	FKM	SIK-531
OR63523180-08	231.80	6.35	NBR	SIK-127
OR25323200-08	232.00	2.53	NBR	SIK-456
OR27023200-08	232.00	2.70	NBR	SIK-444
OR30023200-43	232.00	3.00	VMQ	SIK-246
OR30023200-08	232.00	3.00	NBR	SIK-119
OR35023200-08	232.00	3.50	NBR	SIK-171
OR40023200-64	232.00	4.00	FKM	SIK-332
OR40023200-32	232.00	4.00	EPDM	SIK-489
OR40023200-08	232.00	4.00	NBR	SIK-527
OR45023200-08	232.00	4.50	NBR	SIK-551
OR50023200-08	232.00	5.00	NBR	SIK-340
OR53023200-42	232.00	5.30	VMQ	SIK-632
OR55023200-64	232.00	5.50	FKM	SIK-625
OR60023200-08	232.00	6.00	NBR	SIK-212
OR65023200-64	232.00	6.50	FKM	SIK-422
OR70023200-32	232.00	7.00	EPDM	SIK-617
OR75002320-08	232.00	7.50	NBR	SIK-404
OR83523200-66	232.00	8.35	FKM	SIK-223
OR83523200-08	232.00	8.35	NBR	SIK-656
OR90023200-08	232.00	9.00	NBR	SIK-159
OR12023200-06	232.00	12.00	NBR	SIM-381
OR26223230-08	232.30	2.62	NBR	SIK-626
OR57023250-43	232.50	5.70	VMQ	SIK-606
OR17823300-64	233.00	1.78	FKM	SIK-662
OR25023300-32	233.00	2.50	EPDM	SIK-300
OR25023300-64	233.00	2.50	FKM	SIK-178
OR25023300-08	233.00	2.50	NBR	SIK-133
OR30023300-08	233.00	3.00	NBR	SIK-543
OR35023300-08	233.00	3.50	NBR	SIK-291
OR40023300-D5	233.00	4.00	HNBR	SIK-372
OR50023300-08	233.00	5.00	NBR	SIK-143
OR50023300-08	233.00	5.00	NBR	SIK-593
OR70023300-08	233.00	7.00	NBR	SIK-201
OR80023300-08	233.00	8.00	NBR	SIK-314
OR30023330-64	233.30	3.00	FKM	SIK-285
OR47723336-08	233.36	4.77	NBR	SIK-686
OR35323364-11	233.64	3.53	NBR	SIK-179
OR05023400-08	234.00	0.50	NBR	SIK-160
OR30023400-20	234.00	3.00	CR	SIK-362
OR40023400-64	234.00	4.00	FKM	SIK-199
OR50023400-08	234.00	5.00	NBR	SIK-415
OR55023400-64	234.00	5.50	FKM	SIK-431
OR60023400-08	234.00	6.00	NBR	SIK-154
OR65023400-08	234.00	6.50	NBR	SIK-651
OR70023400-87	234.00	7.00	PU	POD-149
OR72023400-08	234.00	7.20	NBR	SIK-574
OR75023400-08	234.00	7.50	NBR	SIK-573
OR78023400-08	234.00	7.80	NBR	SIK-572
OR90023400-08	234.00	9.00	NBR	SIM-431
OR12723400-06	234.00	12.70	NBR	SIK-327
OR14023400-64	234.00	14.00	FKM	SIM-444
OR84023410-08	234.10	8.40	NBR	SIK-315
OR65023410-08	234.10	6.50	NBR	SIK-539
OR57023430-11	234.30	5.70	NBR	SIK-239
OR53323432-64	234.32	5.33	FKM	SIK-287
OR53323432-08	234.32	5.33	NBR	SIK-251
OR53323432-O4	234.32	5.33	FKM	SIK-202

Bold sizes are readily available in stock.
 Other material are available on request.

Part No.	d	c/s	Material	Mould No.
OR69923432-D5	234.32	6.99	HNBR	SIK-507
OR78023440-64	234.40	7.80	FKM	SIM-429
OR30023450-04	234.50	3.00	NBR	SIK-549
OR35323454-T9	234.54	3.53	FKM	SIK-292
OR35323454-08	234.54	3.53	NBR	SIK-228
OR26223462-08	234.62	2.62	NBR	SIK-186
OR26223462-64	234.62	2.62	FKM	SIK-481
OR26223462-D5	234.62	2.62	HNBR	SIK-619
OR47623495-08	234.95	4.76	NBR	SIK-242
OR63523495-08	234.95	6.35	NBR	SIK-684
OR15023500-08	235.00	1.50	NBR	SIK-588
OR25023500-D5	235.00	2.50	HNBR	SIK-457
OR30023500-08	235.00	3.00	NBR	SIK-120
OR32023500-08	235.00	3.20	NBR	SIK-200
OR40023500-08	235.00	4.00	NBR	SIK-607
OR48023500-08	235.00	4.80	NBR	SIK-258
OR50023500-08	235.00	5.00	NBR	SIK-173
OR50023500-64	235.00	5.00	FKM	SIK-373
OR50023500-T3	235.00	5.00	EPDM	SIK-559
OR55023500-67	235.00	5.50	FKM	SIK-516
OR60023500-08	235.00	6.00	NBR	SIK-581
OR62023500-64	235.00	6.20	FKM	SIK-511
OR65023500-11	235.00	6.50	NBR	SIK-231
OR70023500-64	235.00	7.00	FKM	SIK-454
OR70023500-08	235.00	7.00	NBR	SIK-397
OR75023500-08	235.00	7.50	NBR	SIK-144
OR75023500-64	235.00	7.50	FKM	SIK-536
OR80023500-43	235.00	8.00	VMQ	SIM-362
OR10023500-08	235.00	10.00	NBR	SIM-110
OR12723500-64	235.00	12.70	FKM	SIM-382
OR12723500-P8	235.00	12.70	HNBR	SIM-336
OR68023520-64	235.20	6.80	FKM	SIK-506
OR72023560-64	235.60	7.20	NBR	SIK-535
OR20023600-08	236.00	2.00	NBR	SIK-245
OR20023600-64	236.00	2.00	FKM	SIK-592
OR26223600-08	236.00	2.62	NBR	SIK-374
OR30023600-64	236.00	3.00	FKM	SIK-576
OR35023600-08	236.00	3.50	NBR	SIK-648
OR53023600-64	236.00	5.30	FKM	SIK-394
OR60023600-64	236.00	6.00	FKM	SIK-146
OR60023600-08	236.00	6.00	NBR	SIK-105
OR65023600-08	236.00	6.50	NBR	SIK-324
OR65023600-66	236.00	6.50	FKM	SIK-563
OR70023600-08	236.00	7.00	NBR	SIK-209
OR70023600-64	236.00	7.00	FKM	SIK-365
OR80023600-08	236.00	8.00	NBR	SIM-135
OR90023600-64	236.00	9.00	FKM	SIM-468
OR10023600-08	236.00	10.00	NBR	SIM-318
OR44924106-08	236.10	16.00	NBR	SIM-351
OR36023620-64	236.20	3.60	FKM	SIK-462
OR55023660-64	236.60	5.50	FKM	SIK-308
OR26023680-08	236.80	2.60	NBR	SIK-110
OR75423694-08	236.94	7.54	NBR	SIM-419
OR30023700-43	237.00	3.00	VMQ	SIK-247
OR35023700-10	237.00	3.50	NBR	SIK-289
OR35023700-10	237.00	3.50	NBR	SIK-381
OR40023700-64	237.00	4.00	FKM	SIK-367
OR50023700-64	237.00	5.00	FKM	SIK-428
OR57023700-08	237.00	5.70	NBR	SIK-532
OR60023700-08	237.00	6.00	NBR	SIK-290
OR68023700-43	237.00	6.80	VMQ	SIM-497
OR85023700-08	237.00	8.50	NBR	SIM-442
OR17823720-64	237.20	1.78	FKM	SIK-595
OR53323723-R1	237.23	5.33	FVMQ	SIK-427
OR53323723-08	237.23	5.33	NBR	SIK-208
OR17823744-08	237.44	1.78	NBR	SIK-631
OR35023776-08	237.76	3.50	NBR	SIK-391
OR35323780-32	237.80	3.53	EPDM	SIK-616
OR71323787-64	237.87	7.13	FKM	SIM-392
OR16023800-08	238.00	1.60	NBR	SIK-168
OR20023800-08	238.00	2.00	NBR	SIK-318
OR35023800-08	238.00	3.50	NBR	SIK-280
OR50023800-08	238.00	5.00	NBR	SIK-112

Part No.	d	c/s	Material	Mould No.
OR50023800-43	238.00	5.00	VMQ	SIK-587
OR53023800-64	238.00	5.30	FKM	SIK-255
OR57023800-08	238.00	5.70	NBR	SIK-329
OR60023800-66	238.00	6.00	FKM	SIK-493
OR68023800-08	238.00	6.80	NBR	SIM-389
OR70023800-64	238.00	7.00	FKM	SIM-104
OR70023800-08	238.00	7.00	NBR	SIK-307
OR80023800-20	238.00	8.00	CR	SIM-260
OR90023800-64	238.00	9.00	FKM	SIM-388
OR10023800-66	238.00	10.00	FKM	SIM-314
OR24023800-43	238.00	24.00	VMQ	SIM-297
OR26223812-64	238.12	2.62	FKM	SIK-640
OR10023830-T5	238.30	10.00	EPDM	SIM-430
OR15023840-08	238.40	1.50	NBR	SIK-571
OR32023850-08	238.50	3.00	NBR	SIK-423
OR32523850-08	238.50	3.25	NBR	SIK-398
OR35023850-64	238.50	3.50	FKM	SIK-537
OR37523850-08	238.50	3.75	NBR	SIK-399
OR40023850-08	238.50	4.00	NBR	SIK-352
OR57023860-64	238.60	5.70	FKM	SIK-323
OR57023860-11	238.60	5.70	NBR	SIK-344
OR56023880-64	238.80	5.60	FKM	SIK-407
OR50023900-64	239.00	5.00	NBR	SIK-504
OR87023910-64	239.10	8.70	FKM	SIM-513
OR57023920-67	239.20	5.70	FKM	SIM-286
OR57023930-R1	239.20	5.70	FVMQ	SIM-437
OR57023930-08	239.30	5.70	NBR	SIM-189
OR53323934-11	239.34	5.33	NBR	SIK-613
OR57423940-20	239.40	5.74	CR	SIM-238
OR30023950-20	239.50	3.00	CR	SIK-479
OR30023950-O4	239.50	3.00	FKM	SIK-649
OR84023950-08	239.50	8.40	NBR	SIM-248
OR47723971-08	239.71	4.77	NBR	SIK-682
OR20024000-08	240.00	2.00	NBR	SIK-673
OR25024000-08	240.00	2.50	NBR	SIK-241
OR30024000-08	240.00	3.00	NBR	SIK-141
OR30024000-BX	240.00	3.00	NBR	SIK-513
OR31024000-64	240.00	3.10	FKM	SIK-646
OR35024000-08	240.00	3.50	NBR	SIK-281
OR40024000-64	240.00	4.00	FKM	SIK-299
OR40024000-08	240.00	4.00	NBR	SIK-134
OR45024000-08	240.00	4.50	NBR	SIK-325
OR50024000-08	240.00	5.00	NBR	SIK-250
OR50024000-64	240.00	5.00	FKM	SIK-272
OR50024000-18	240.00	5.00	CR	SIK-689
OR51024000-65	240.00	8.00	FKM	SIM-455
OR51524000-11	240.00	5.15	NBR	SIM-390
OR55024000-32	240.00	5.50	EPDM	SIM-282
OR60024000-64	240.00	6.00	FKM	SIM-257
OR60024000-08	240.00	6.00	NBR	SIM-158
OR70024000-64	240.00	7.00	FKM	SIM-322
OR73024000-08	240.00	7.30	NBR	SIM-366
OR75024000-08	240.00	7.50	NBR	SIM-175
OR80024000-64	240.00	8.00	FKM	SIM-457
OR90024000-64	240.00	9.00	FKM	SIM-370
OR10024000-08	240.00	10.00	NBR	SIM-263
OR10024000-43	240.00	10.00	VMQ	SIM-115
OR23024000-64	240.00	23.00	FKM	SIN-385
OR190524053-08	240.53	19.05	NBR	SIN-436
OR53324067-12	240.67	5.33	NBR	SIM-245
OR53324067-64	240.67	5.33	FKM	SIM-226
OR53324067-08	240.67	5.33	NBR	SIM-184
OR69924067-64	240.67	6.99	FKM	SIM-191
OR69924067-08	240.67	6.99	NBR	SIM-105
OR69924067-08	240.67	6.99	NBR	SIM-339
OR35324089-45	240.89	3.53	VMQ	SIK-274
OR35324089-64	240.89	3.53	FKM	SIK-263
OR35324089-32	240.89	3.53	EPDM	SIK-361
OR35324089-08	240.89	3.53	NBR	SIK-193
OR26224097-64	240.97	2.62	FKM	SIK-426
OR26224097-08	240.97	2.62	NBR	SIK-328
OR26224097-D5	240.97	2.62	HNBR	SIK-620
OR17824100-08	241.00	1.78	NBR	SIK-484

Bold sizes are readily available in stock.
Other material are available on request.

Part No.	d	c/s	Material	Mould No.
OR30024100-64	241.00	3.00	FKM	SIK-523
OR45024100-08	241.00	4.50	NBR	SIK-214
OR50024100-08	241.00	5.00	NBR	SIM-103
OR58024100-59	241.00	5.80	PU	POD-143
OR65024100-08	241.00	6.50	NBR	SIM-359
OR70024100-64	241.00	7.00	FKM	SIM-298
OR10024100-08	241.00	10.00	NBR	SIM-147
OR31724130-08	241.30	3.17	NBR	SIK-459
OR47624130-08	241.30	4.76	NBR	SIM-440
OR80024130-08	241.30	8.00	NBR	SIM-138
OR95224130-08	241.30	9.52	NBR	SIM-498
OR12724130-08	241.30	12.70	NBR	SIM-406
OR31824158-43	241.58	3.18	VMQ	SIK-585
OR17824200-64	242.00	1.78	FKM	SIK-596
OR17824200-32	242.00	1.78	EPDM	SIK-666
OR20024200-08	242.00	2.00	NBR	SIK-271
OR20024200-08	242.00	2.00	NBR	SIK-187
OR20024200-64	242.00	2.00	FKM	SIK-501
OR20024200-32	242.00	2.00	EPDM	SIK-637
OR27524200-08	242.00	2.75	NBR	SIK-409
OR30024200-08	242.00	3.00	NBR	SIK-176
OR35024200-08	242.00	3.50	NBR	SIK-343
OR35324200-64	242.00	3.53	FKM	SIK-641
OR40024200-08	242.00	4.00	NBR	SIK-505
OR40024200-D5	242.00	4.00	HNBR	SIK-645
OR53424200-08	242.00	5.34	NBR	SIM-145
OR60024200-64	242.00	6.00	FKM	SIM-192
OR60024200-08	242.00	6.00	NBR	SIM-280
OR65024200-08	242.00	6.50	NBR	SIM-490
OR75024200-08	242.00	7.50	NBR	SIM-401
OR90024200-08	242.00	9.00	NBR	SIM-222
OR12324200-06	242.00	12.30	NBR	SIM-369
OR190524208-08	242.08	19.05	NBR	SIN-340
OR37724229-64	242.29	3.77	FKM	SIK-450
OR37724229-08	242.29	3.77	NBR	SIK-566
OR69824257-D6	242.57	6.98	HNBR	SIM-273
OR35024300-T9	243.00	3.50	FKM	SIK-439
OR53024300-08	243.00	5.30	NBR	SIM-268
OR53024300-T9	243.00	5.30	FKM	SIM-399
OR60024300-43	243.00	6.00	VMQ	SIM-243
OR63024300-29	243.00	6.30	EPDM	SIM-218
OR70024300-10	243.00	7.00	NBR	SIM-198
OR12024300-08	243.00	12.00	NBR	SIM-122
OR13024300-06	243.00	13.00	NBR	SIM-372
OR13024300-P8	243.00	13.00	HNBR	SIM-373
OR57024350-32	243.50	5.70	EPDM	SIM-461
OR26024380-08	243.80	2.60	NBR	SIK-197
OR31024388-08	243.88	3.10	NBR	SIM-360
OR31024388-64	243.88	3.10	FKM	SIK-351
OR20024400-64	244.00	2.00	FKM	SIK-419
OR25024400-08	244.00	2.50	NBR	SIK-467
OR35324400-32	244.00	3.53	EPDM	SIM-304
OR40024400-08	244.00	4.00	NBR	SIM-325
OR50024400-08	244.00	5.00	NBR	SIM-208
OR60024400-08	244.00	6.00	NBR	SIM-296
OR65024400-08	244.00	6.50	NBR	SIM-311
OR70024400-08	244.00	7.00	NBR	SIM-303
OR70024400-64	244.00	7.00	FKM	SIM-471
OR55024424-10	244.24	5.50	NBR	SIM-236
OR57024430-08	244.30	5.70	NBR	SIM-413
OR84024440-08	244.40	8.40	NBR	SIM-212
OR31824447-08	244.47	3.18	NBR	SIM-508
OR30024450-65	244.50	3.00	FKM	SIM-269
OR35024460-08	244.60	3.50	NBR	SIM-141
OR47024460-08	244.60	4.70	NBR	SIM-424
OR20024500-08	245.00	2.00	NBR	SIK-188
OR25024500-66	245.00	2.50	FKM	SIK-265
OR28024500-66	245.00	2.80	FKM	SIM-503
OR30024500-08	245.00	3.00	NBR	SIM-161
OR35024500-08	245.00	3.50	NBR	SIM-374
OR35024500-64	245.00	3.50	FKM	SIM-420
OR40024500-64	245.00	4.00	FKM	SIM-279
OR44024500-43	245.00	4.40	VMQ	SIM-330

Part No.	d	c/s	Material	Mould No.
OR45024500-32	245.00	4.50	EPDM	SIM-422
OR50024500-43	245.00	5.00	VMQ	SIM-340
OR50024500-L5	245.00	5.00	PU	POD-167
OR55024500-64	245.00	5.50	FKM	SIM-328
OR65024500-08	245.00	6.50	NBR	SIM-411
OR69924500-64	245.00	6.99	FKM	SIM-182
OR10024500-43	245.00	10.00	VMQ	SIM-356
OR10024500-08	245.00	10.00	NBR	SIM-276
OR15524500-32	245.00	15.50	EPDM	SIN-409
OR18024500-08	245.00	18.00	NBR	SIN-324
OR53324570-06	245.70	5.33	NBR	SIM-106
OR95224599-L5	245.99	9.52	PU	POD-146
OR10024599-L5	245.99	10.00	PU	POD-147
OR103124599-L5	245.99	10.31	PU	POD-148
OR20024600-08	246.00	2.00	NBR	SIK-293
OR35024600-11	246.00	3.50	NBR	SIM-324
OR57024600-08	246.00	5.70	NBR	SIM-152
OR80024600-20	246.00	8.00	CR	SIM-432
OR11024600-41	246.00	11.00	VMQ	SIM-479
OR47724606-08	246.06	4.77	NBR	SIM-510
OR20024625-32	246.25	2.00	EPDM	SIM-414
OR70024680-30	246.80	7.00	EPDM	SIM-107
OR25024700-64	247.00	2.50	FKM	SIM-277
OR30024700-20	247.00	3.00	CR	SIM-368
OR45024700-10	247.00	4.50	NBR	SIM-207
OR60024700-08	247.00	6.00	NBR	SIM-134
OR65024700-08	247.00	6.50	NBR	SIM-405
OR69924700-08	247.00	6.99	NBR	SIM-247
OR53324702-08	247.02	5.33	NBR	SIM-213
OR53324702-64	247.02	5.33	FKM	SIM-225
OR69924702-64	247.02	6.99	FKM	SIM-456
OR17824724-64	247.24	1.78	FKM	SIM-425
OR35324724-66	247.24	3.53	FKM	SIM-387
OR35324724-08	247.24	3.53	NBR	SIM-154
OR35324724-H8	247.24	3.53	Natural Rubber	SIM-423
OR35324724-41	247.24	3.53	VMQ	SIM-482
OR35324730-32	247.30	3.53	EPDM	SIM-385
OR26224732-08	247.32	2.62	NBR	SIM-217
OR31724765-20	247.65	3.17	CR	SIM-205
OR63524765-08	247.65	6.35	NBR	SIM-367
OR12724765-10	247.65	12.70	NBR	SIM-274
OR25024800-08	248.00	2.50	NBR	SIM-335
OR32024800-64	248.00	3.20	FKM	SIM-486
OR40024800-08	248.00	4.00	NBR	SIM-174
OR44024800-43	248.00	4.40	VMQ	SIM-291
OR50024800-64	248.00	5.00	FKM	SIM-302
OR50024800-08	248.00	5.00	NBR	SIM-190
OR55024800-10	248.00	5.50	NBR	SIM-333
OR60024800-43	248.00	6.00	VMQ	SIM-504
OR40024850-08	248.50	4.00	NBR	SIM-262
OR57024860-08	248.60	5.70	NBR	SIM-266
OR22024900-08	249.00	2.20	NBR	SIM-434
OR37024900-08	249.00	3.70	NBR	SIM-321
OR45024900-64	249.00	4.50	FKM	SIM-244
OR45024900-08	249.00	4.50	NBR	SIM-332
OR57024930-08	249.30	5.70	NBR	SIM-124
OR57024930-R1	249.30	5.70	FVMQ	SIM-395
OR30024950-O3	249.50	3.00	NBR	SIM-394
OR84024950-08	249.50	8.40	NBR	SIM-197
OR57024970-08	249.70	5.70	NBR	SIM-101
OR19025000-08	250.00	1.90	NBR	SIM-301
OR20025000-43	250.00	2.00	VMQ	SIM-347
OR25025000-11	250.00	2.50	NBR	SIM-202
OR26525000-08	250.00	2.65	NBR	SIM-404
OR26525000-64	250.00	2.65	FKM	SIM-476
OR30025000-08	250.00	3.00	NBR	SIM-164
OR30025000-65	250.00	3.00	FKM	SIM-354
OR35025000-08	250.00	3.50	NBR	SIM-459
OR35325000-08	250.00	3.53	NBR	SIM-278
OR40025000-08	250.00	4.00	NBR	SIM-256
OR40025000-10	250.00	4.00	NBR	SIM-117
OR40025000-41	250.00	4.00	VMQ	SIM-483
OR50025000-08	250.00	5.00	NBR	SIM-165

Bold sizes are readily available in stock.
 Other material are available on request.

Part No.	d	c/s	Material	Mould No.
OR53025000-10	250.00	5.30	NBR	SIM-215
OR53325000-08	250.00	5.33	FKM	SIM-224
OR55025000-08	250.00	5.50	NBR	SIM-415
OR57525000-64	250.00	5.75	FKM	SIM-254
OR60025000-20	250.00	6.00	CR	SIM-171
OR60025000-64	250.00	6.00	FKM	SIM-407
OR60025000-08	250.00	6.00	NBR	SIM-393
OR63025000-65	250.00	6.30	FKM	SIM-421
OR70025000	250.00	7.00	NBR	SIM-137
OR75025000-64	250.00	7.50	FKM	SIM-500
OR80025000-08	250.00	8.00	NBR	SIM-173
OR95025000-62	250.00	9.50	FKM	SIM-365
OR95025000-06	250.00	9.50	NBR	SIM-398
OR10025000-64	250.00	10.00	FKM	SIM-237
OR10025000-08	250.00	10.00	NBR	SIM-149
OR12025000-08	250.00	12.00	NBR	SIM-409
OR32525050-08	250.50	3.25	NBR	SIM-353
OR58025050-R1	250.50	5.80	FVMQ	SIM-469
OR12725082-D5	250.82	12.70	HNBR	SIN-446
OR30225098-67	250.98	3.02	FKM	SIM-460
OR65025100-08	251.00	6.50	NBR	SIM-112
OR70025100-08	251.00	7.00	NBR	SIM-126
OR70025100-64	251.00	7.00	FKM	SIM-285
OR80025100-64	251.00	8.00	FKM	SIM-150
OR90025100-11	251.00	9.00	NBR	SIM-162
OR16225200-08	252.00	1.62	NBR	SIM-493
OR20025200-08	252.00	2.00	NBR	SIM-364
OR25025200-39	252.00	2.50	VMQ	SIM-334
OR35025200-32	252.00	3.50	EPDM	SIM-494
OR35025200-D5	252.00	3.50	HNBR	SIM-489
OR40025200-08	252.00	4.00	NBR	SIM-113
OR50025200-66	252.00	5.00	FKM	SIM-315
OR80025200-20	252.00	8.00	CR	SIM-250
OR80025200-64	252.00	8.00	FKM	SIM-230
OR35025214-10	252.14	3.50	NBR	SIM-235
OR47625242-08	252.42	4.76	NBR	SIM-509
OR40025250-66	252.50	4.00	FKM	SIM-290
OR35325260-08	252.60	3.53	NBR	SIM-233
OR45225266-D5	252.66	4.52	HNBR	SIM-386
OR45225266-08	252.66	4.52	NBR	SIM-492
OR70025270-34	252.70	7.00	EPDM	SIM-172
OR17825300-64	253.00	1.78	FKM	SIM-452
OR26225300-08	253.00	2.62	NBR	SIM-447
OR27525300-39	253.00	2.75	VMQ	SIM-454
OR30025300-64	253.00	3.00	FKM	SIM-255
OR35025300-66	253.00	3.50	FKM	SIM-410
OR53325300-45	253.00	5.33	VMQ	SIM-246
OR55025300-08	253.00	5.50	NBR	SIM-179
OR60025300-64	253.00	6.00	FKM	SIM-169
OR60025300-08	253.00	6.00	NBR	SIM-133
OR10025300-64	253.00	10.00	FKM	SIM-450
OR69925336-O3	253.36	6.99	NBR	SIM-265
OR53325337-O3	253.37	5.33	NBR	SIM-194
OR69925337-64	253.37	6.99	FKM	SIM-199
OR69925337-67	253.37	6.99	FKM	SIM-204
OR69925337-S4	253.37	6.99	HNBR	SIM-310
OR69925337-08	253.37	6.99	NBR	SIM-439
OR70025340-08	253.40	7.00	NBR	SIM-151
OR35325359-08	253.59	3.53	NBR	SIM-139
OR35325359-N8	253.59	3.53	NBR	SIM-239
OR35325359-O4	253.59	3.53	FKM	SIM-214
OR35325359-64	253.59	3.53	FKM	SIM-427
OR35325400-08	254.00	3.53	NBR	SIM-275
OR35325400-08	254.00	3.53	NBR	SIM-186
OR40025400-S8	254.00	4.00	NBR	SIM-506
OR45025400-08	254.00	4.50	NBR	SIM-200
OR47625400-08	254.00	4.76	NBR	SIM-465
OR55025400-64	254.00	5.50	FKM	SIM-446
OR63525400-11	254.00	6.35	NBR	SIM-163
OR87325400-32	254.00	8.73	EPDM	SIM-195
OR95025400-08	254.00	9.50	NBR	SIM-144
OR10025400-08	254.00	10.00	NBR	SIM-167
OR10025400-43	254.00	10.00	VMQ	SIM-287

Part No.	d	c/s	Material	Mould No.
OR11025400-04	254.00	11.00	NBR	SIN-218
OR12725400-08	254.00	12.70	NBR	SIN-200
OR13025100-08	254.00	13.00	NBR	SIN-375
OR50825400-10	254.00	50.80	NBR	SIR-536
OR31025420-10	254.20	3.10	NBR	SIM-319
OR84025450-11	254.50	8.40	NBR	SIM-281
OR80025490-08	254.90	8.00	NBR	SIM-116
OR37725499-08	254.99	3.77	NBR	SIM-438
OR20025500-08	255.00	2.00	NBR	SIM-120
OR20025500-66	255.00	2.00	FKM	SIM-491
OR25025500-08	255.00	2.50	NBR	SIM-436
OR30025500-08	255.00	3.00	NBR	SIM-136
OR31725500-11	255.00	3.17	NBR	SIM-349
OR35025500-10	255.00	3.50	NBR	SIM-228
OR40025500-08	255.00	4.00	NBR	SIM-131
OR50025500-08	255.00	5.00	NBR	SIM-157
OR50025500-64	255.00	5.00	FKM	SIM-474
OR50025500-08	255.00	5.00	NBR	SIM-499
OR50025500-18	255.00	5.00	CR	SIM-480
OR53325500-08	255.00	5.33	NBR	SIM-464
OR57025500-08	255.00	5.70	NBR	SIM-264
OR60025500-64	255.00	6.00	FKM	SIM-316
OR60025500-08	255.00	6.00	NBR	SIM-234
OR75025500-08	255.00	7.50	NBR	SIM-216
OR80025500-64	255.00	8.00	FKM	SIM-342
OR12725500-06	255.00	12.70	NBR	SIN-358
OR79425559-08	255.59	7.94	NBR	SIM-507
OR17825600-08	256.00	1.78	NBR	SIM-481
OR30025600-06	256.00	3.00	NBR	SIM-242
OR30025600-64	256.00	3.00	FKM	SIM-495
OR45025600-64	256.00	4.50	FKM	SIM-379
OR50025600-64	256.00	5.00	FKM	SIM-383
OR57025600-64	256.00	5.70	FKM	SIM-176
OR70025600-43	256.00	7.00	VMQ	SIM-344
OR27025600-28	256.00	27.00	EPDM	SIP-383
OR70025670-11	256.70	7.00	NBR	SIM-283
OR28025700-64	257.00	2.80	FKM	SIM-371
OR30025700-40	257.00	3.00	VMQ	SIM-502
OR40025700-32	257.00	4.00	EPDM	SIM-288
OR55025700-08	257.00	5.50	NBR	SIM-270
OR60025700-64	257.00	6.00	FKM	SIM-496
OR65025700-08	257.00	6.50	NBR	SIM-109
OR80025700-T5	257.00	8.00	EPDM	SIM-396
OR31825717-08	257.17	3.18	NBR	SIM-505
OR35025800-08	258.00	3.50	NBR	SIM-156
OR35025800-43	258.00	3.50	VMQ	SIM-305
OR40025800-08	258.00	4.00	NBR	SIM-203
OR40025800-64	258.00	4.00	FKM	SIM-466
OR49025800-08	258.00	4.90	NBR	SIM-345
OR50025800-08	258.00	5.00	NBR	SIM-220
OR50025800-L3	258.00	5.00	AFLAS	SIM-463
OR53025800-32	258.00	5.30	EPDM	SIM-223
OR60025800-08	258.00	6.00	NBR	SIM-155
OR60025800-64	258.00	6.00	FKM	SIM-337
OR85025800-08	258.00	8.50	NBR	SIM-357
OR90025800-08	258.00	9.00	NBR	SIN-442
OR10025800-11	258.00	10.00	NBR	SIN-305
OR10025800-67	258.00	10.00	FKM	SIN-369
OR12025800-08	258.00	12.00	NBR	SIN-141
OR35325847-08	258.47	3.53	NBR	SIM-377
OR35325869-BA	258.69	3.53	FKM	SIM-448
OR47725876-08	258.76	4.77	NBR	SIM-511
OR40025900-08	259.00	4.00	NBR	SIM-352
OR45025900-08	259.00	4.50	NBR	SIM-380
OR65025900-64	259.00	6.50	FKM	SIM-306
OR80025900-08	259.00	8.00	NBR	SIM-128
OR54025930-08	259.30	5.40	NBR	SIM-111
OR57025930-08	259.30	5.70	NBR	SIM-219
OR57025930-64	259.30	5.70	FKM	SIM-376
OR57025930-20	259.30	5.70	CR	SIM-501
OR30025950-R1	259.50	3.00	FVMQ	SIM-462
OR84025950-64	259.50	8.40	FKM	SIN-395
OR69925960-66	259.60	6.99	FKM	SIM-125

Bold sizes are readily available in stock.
Other material are available on request.

Part No.	d	c/s	Material	Mould No.
OR70025960-08	259.60	7.00	NBR	SIM-108
OR69925970-D5	259.70	6.99	HNBR	SIM-312
OR69925970-O3	259.70	6.99	NBR	SIM-412
OR69925970-L3	259.70	6.99	AFLAS	SIM-416
OR69825971-08	259.71	6.98	NBR	SIM-267
OR69925972-64	259.72	6.99	FKM	SIM-467
OR53326600-08	260.00	5.33	NBR	SIN-154
OR60026000-64	260.00	6.00	FKM	SIN-219
OR20026000-08	260.00	2.00	NBR	SIM-428
OR20026000-64	260.00	2.00	FKM	SIM-477
OR25026000-08	260.00	2.50	NBR	SIM-299
OR26826000-08	260.00	2.68	NBR	SIM-252
OR30026000-64	260.00	3.00	FKM	SIM-284
OR30026000-08	260.00	3.00	NBR	SIM-317
OR31726000-11	260.00	3.17	NBR	SIM-350
OR32026000-64	260.00	3.20	FKM	SIM-485
OR35026000-11	260.00	3.50	NBR	SIM-253
OR35326000-O4	260.00	3.53	FKM	SIM-300
OR50026000-64	260.00	5.00	FKM	SIM-308
OR50026000-08	260.00	5.00	NBR	SIM-185
OR50026000-32	260.00	5.00	EPDM	SIM-512
OR53026000-08	260.00	5.30	NBR	SIM-114
OR55026000-64	260.00	5.50	FKM	SIM-391
OR60026000-08	260.00	6.00	NBR	SIM-206
OR60026000-T5	260.00	6.00	EPDM	SIM-346
OR70026000-T5	260.00	7.00	EPDM	SIM-375
OR70026000-T9	260.00	7.00	FKM	SIM-397
OR75026000-08	260.00	7.50	NBR	SIM-160
OR80026000-08	260.00	8.00	NBR	SIN-103
OR80026000-43	260.00	8.00	VMQ	SIN-288
OR84026000-08	260.00	8.40	NBR	SIN-130
OR10026000-42	260.00	10.00	VMQ	SIN-191
OR12026000-08	260.00	12.00	NBR	SIN-397
OR63526035-08	260.35	6.35	NBR	SIM-102
OR94026060-08	260.60	9.40	NBR	SIN-382
OR45026100-08	261.00	4.50	NBR	SIM-119
OR68026100-39	261.00	6.80	VMQ	SIM-470
OR80026100-08	261.00	8.00	NBR	SIN-104
OR81226194-11	261.94	8.12	NBR	SIN-439
OR20025000-43	262.00	2.00	VMQ	SIM-348
OR28026200-08	262.00	2.80	NBR	SIM-475
OR30026200-08	262.00	3.00	NBR	SIM-127
OR30002620-64	262.00	3.00	FKM	SIM-417
OR30026200-43	262.00	3.00	VMQ	SIM-403
OR40026200-08	262.00	4.00	NBR	SIM-123
OR52326200-08	262.00	5.23	NBR	SIM-329
OR60026200-64	262.00	6.00	FKM	SIM-294
OR60026200-08	262.00	6.00	NBR	SIM-259
OR80026200-43	262.00	8.00	VMQ	SIN-314
OR90026200-64	262.00	9.00	FKM	SIN-214
OR12726200-06	262.00	12.70	NBR	SIN-354
OR24026229-08	262.29	2.40	NBR	SIM-488
OR40026270-08	262.70	4.00	NBR	SIM-129
OR35026300-11	263.00	3.50	NBR	SIM-178
OR45026300-08	263.00	4.50	NBR	SIM-187
OR55026300-64	263.00	5.50	FKM	SIM-408
OR78026300-64	263.00	7.80	FKM	SIN-336
OR84026300-08	263.00	8.40	NBR	SIN-128
OR70026320-75	263.20	7.00	NBR	SIN-135
OR31726352-64	263.52	3.17	FKM	SIM-341
OR63526353-20	263.53	6.35	CR	SIN-287
OR15026400-08	264.00	1.50	NBR	SIM-441
OR30026400-43	264.00	3.00	VMQ	SIM-181
OR35026400-20	264.00	3.50	CR	SIM-400
OR40026400-08	264.00	4.00	NBR	SIM-177
OR80026400-08	264.00	8.00	NBR	SIN-163
OR53326410-67	264.10	5.33	FKM	SIM-484
OR31026430-08	264.30	3.10	NBR	SIM-449
OR57026430-10	264.30	5.70	NBR	SIN-331
OR64026430-43	264.30	6.40	VMQ	SIN-406
OR84026450-08	264.50	8.40	NBR	SIN-183
OR19326456-03	264.56	19.30	NBR	SIP-322
OR19326456-03	264.56	19.30	NBR	SIP-322

Part No.	d	c/s	Material	Mould No.
OR57026489-64	264.89	5.70	FKM	SIN-285
OR53326500-08	265.00	5.33	NBR	SIM-309
OR55026500-08	265.00	5.50	NBR	SIM-130
OR17826500-D5	265.00	1.78	HNBR	SIM-445
OR22026500-08	265.00	2.20	NBR	SIM-435
OR25026500-08	265.00	2.50	NBR	SIM-121
OR30026500-11	265.00	3.00	NBR	SIM-384
OR30026500-43	265.00	3.00	VMQ	SIM-313
OR35026500-43	265.00	3.50	VMQ	SIM-295
OR35026500-08	265.00	3.50	NBR	SIM-261
OR35026500-08	265.00	3.50	NBR	SIM-170
OR35026500-66	265.00	3.50	FKM	SIM-443
OR40026500-64	265.00	4.00	FKM	SIM-229
OR40026500-08	265.00	4.00	NBR	SIM-343
OR40026500-41	265.00	4.00	VMQ	SIM-402
OR50026500-64	265.00	5.00	FKM	SIM-326
OR50026500-08	265.00	5.00	NBR	SIM-193
OR55026500-43	265.00	5.50	VMQ	SIN-462
OR60026500-08	265.00	6.00	NBR	SIN-181
OR65026500-08	265.00	6.50	NBR	SIN-124
OR65026500-64	265.00	6.50	FKM	SIN-447
OR70026500-08	265.00	7.00	NBR	SIN-361
OR90026500-34	265.00	9.00	EPDM	SIN-220
OR90026500-66	265.00	9.00	FKM	SIN-221
OR12026500-T2	265.00	12.00	VMQ	SIN-435
OR12026500-32	265.00	12.00	EPDM	SIN-411
OR45426531-08	265.31	4.54	NBR	SIM-297
OR45426531-11	265.31	4.54	NBR	SIM-258
OR45226536-08	265.36	4.52	NBR	SIM-418
OR60026550-64	265.50	6.00	FKM	SIN-226
OR56026587-20	265.87	5.60	CR	SIN-269
OR30026600-43	266.00	3.00	VMQ	SIM-221
OR30026600-08	266.00	3.00	NBR	SIM-292
OR50026600-43	266.00	5.00	VMQ	SIN-356
OR56026600-08	266.00	5.60	NBR	SIN-153
OR60026600-32	266.00	6.00	EPDM	SIN-389
OR67026600-08	266.00	6.70	NBR	SIN-242
OR70026600-08	266.00	7.00	NBR	SIN-105
OR75026600-08	266.00	7.50	NBR	SIN-140
OR78026600-64	266.00	7.80	FKM	SIN-455
OR10026600-08	266.00	10.00	NBR	SIN-241
OR12026600-06	266.00	12.00	NBR	SIN-351
OR53326607-08	266.07	5.33	NBR	SIN-223
OR53326607-N8	266.07	5.33	NBR	SIN-234
OR53326607-64	266.07	5.33	FKM	SIN-207
OR53326607-32	266.07	5.33	EPDM	SIN-451
OR69926607-O4	266.07	6.99	FKM	SIN-210
OR69926607-08	266.07	6.99	NBR	SIN-215
OR91026610-61	266.10	9.10	FKM	SIN-428
OR35326629-08	266.29	3.53	NBR	SIM-232
OR35326629-64	266.29	3.53	FKM	SIM-196
OR35326629-04	266.29	3.53	NBR	SIM-487
OR26226654-64	266.54	2.62	FKM	SIM-331
OR32026660-08	266.60	3.20	NBR	SIM-142
OR63526670-08	266.70	6.35	NBR	SIN-355
OR26526700-08	267.00	2.65	NBR	SIM-451
OR30026700-08	267.00	3.00	NBR	SIM-271
OR60026700-08	267.00	6.00	NBR	SIN-185
OR80026700-08	267.00	8.00	NBR	SIN-161
OR80026700-08	267.00	8.00	NBR	SIN-258
OR35026800-66	268.00	3.50	FKM	SIM-227
OR30026800-08	268.00	3.50	NBR	SIM-358
OR40026800-43	268.00	4.00	VMQ	SIN-205
OR50026800-08	268.00	5.00	NBR	SIN-352
OR50026800-64	268.00	5.00	FKM	SIN-310
OR52526800-08	268.00	5.25	NBR	SIN-271
OR55026800-64	268.00	5.50	FKM	SIN-270
OR60026800-43	268.00	6.00	VMQ	SIN-298
OR65026800-10	268.00	6.50	NBR	SIN-335
OR70026800-08	268.00	7.00	NBR	SIN-276
OR12726800-06	268.00	12.70	NBR	SIN-250
OR12726800-41	268.00	12.70	VMQ	SIN-333
OR12726800-P8	268.00	12.70	HNBR	SIN-345

Bold sizes are readily available in stock.
 Other material are available on request.

Part No.	d	c/s	Material	Mould No.
OR12726800-62	268.00	12.70	FKM	SIN-312
OR65026870-08	268.70	6.50	NBR	SIN-401
OR55026900-08	269.00	5.50	NBR	SIM-320
OR57026930-08	269.30	5.70	NBR	SIN-199
OR57026930-64	269.30	5.70	FKM	SIN-228
OR57026930-T5	269.30	5.70	EPDM	SIN-405
OR41026940-08	269.40	4.10	NBR	SIN-150
OR84026950-08	269.50	8.40	NBR	SIN-209
OR79226987-08	269.87	7.92	NBR	SIN-387
OR20027000-08	270.00	2.00	NBR	SIM-363
OR30027000-64	270.00	3.00	FKM	SIN-229
OR30027000-08	270.00	3.00	NBR	SIN-126
OR32002700-67	270.00	3.20	FKM	SIN-174
OR40027000-43	270.00	4.00	VMQ	SIN-136
OR50027000-64	270.00	5.00	FKM	SIN-323
OR50027000-08	270.00	5.00	NBR	SIN-179
OR50027000-D5	270.00	5.00	HNBR	SIN-282
OR53327000-64	270.00	5.33	FKM	SIN-289
OR54027000-28	270.00	5.40	EPDM	SIN-431
OR60027000-64	270.00	6.00	FKM	SIN-262
OR60027000-08	270.00	6.00	NBR	SIN-109
OR65027000-08	270.00	6.50	NBR	SIN-424
OR70027000-64	270.00	7.00	FKM	SIN-132
OR70027000-08	270.00	7.00	NBR	SIN-266
OR75027000-08	270.00	7.50	NBR	SIN-321
OR80027000-64	270.00	8.00	FKM	SIN-115
OR86027000-64	270.00	8.60	FKM	SIN-419
OR10027000-43	270.00	10.00	VMQ	SIN-227
OR15027000-08	270.00	15.00	NBR	SIN-341
OR54627100-64	271.00	5.46	FKM	SIN-175
OR97027100-08	271.00	9.70	NBR	SIN-400
OR25027100-06	271.00	25.00	NBR	SIP-203
OR17827105-64	271.05	1.78	FKM	SIM-478
OR17827120-64	271.20	1.78	FKM	SIM-453
OR35327166-64	271.66	3.53	FKM	SIN-304
OR70027170-08	271.70	7.00	NBR	SIN-167
OR10027170-08	271.70	10.00	NBR	SIN-408
OR15027200-08	272.00	1.50	NBR	SIM-251
OR25027200-08	272.00	2.50	NBR	SIN-116
OR40027200-11	272.00	4.00	NBR	SIN-281
OR35327200-08	272.00	3.53	NBR	SIN-155
OR40027200-65	272.00	4.00	FKM	SIN-445
OR50027200-67	272.00	5.00	FKM	SIN-453
OR80027200-64	272.00	8.00	FKM	SIN-357
OR69927240-41	272.40	6.99	VMQ	SIN-388
OR69927242-04	272.42	6.99	NBR	SIM-473
OR25027300-64	273.00	2.50	FKM	SIN-454
OR26227300-08	273.00	2.62	NBR	SIN-366
OR32027300-64	273.00	3.20	FKM	SIN-426
OR35027300-08	273.00	3.50	NBR	SIN-247
OR54027300-66	273.00	5.40	FKM	SIN-290
OR60027300-08	273.00	6.00	NBR	SIN-232
OR70027300-08	273.00	7.00	NBR	SIN-350
OR12027300-08	273.00	12.00	NBR	SIN-396
OR53327303-64	273.03	5.33	FKM	SIN-216
OR26227305-64	273.05	2.62	FKM	SIN-277
OR35327305-64	273.05	3.53	FKM	SIN-421
OR68827305-45	273.05	6.88	VMQ	SIN-317
OR95227305-08	273.05	9.52	NBR	SIN-441
OR12727305-20	273.05	12.70	NBR	SIN-265
OR65027350-64	273.50	6.50	FKM	SIN-325
OR21027370-D5	273.70	2.10	HNBR	SIN-415
OR20027400-64	274.00	2.00	FKM	SIN-404
OR30027400-64	274.00	3.00	FKM	SIN-343
OR40027400-D5	274.00	4.00	HNBR	SIN-249
OR40027400-64	274.00	4.00	FKM	SIN-170
OR65027400-08	274.00	6.50	NBR	SIN-151
OR57027430-08	274.30	5.70	NBR	SIN-347
OR20027500-08	275.00	2.00	NBR	SIN-259
OR30027500-08	275.00	3.00	NBR	SIN-127
OR35027500-11	275.00	3.53	NBR	SIN-148
OR45027500-35	275.00	4.50	EPDM	SIN-144
OR50027500-08	275.00	5.00	NBR	SIN-231

Part No.	d	c/s	Material	Mould No.
OR55027500-08	275.00	5.50	NBR	SIN-173
OR55027500-64	275.00	5.50	FKM	SIN-423
OR60027500-08	275.00	6.00	NBR	SIN-194
OR65027500-64	275.00	6.50	FKM	SIN-337
OR70027500-08	275.00	7.00	NBR	SIN-113
OR75027500-64	275.00	7.50	FKM	SIN-244
OR75027500-11	275.00	7.50	NBR	SIN-460
OR90027500-08	275.00	9.00	NBR	SIN-302
OR90027500-30	275.00	9.00	EPDM	SIN-192
OR10227500-38	275.00	10.20	VMQ	SIN-379
OR10527500-32	275.00	10.50	EPDM	SIN-448
OR22027500-08	275.00	22.00	NBR	SIP-382
OR84027520-08	275.20	8.40	NBR	SIN-306
OR58027540-64	275.40	5.80	FKM	SIN-332
OR30027600-43	276.00	3.00	VMQ	SIN-334
OR53327600-T9	276.00	5.33	FKM	SIN-373
OR70027600-08	276.00	7.00	NBR	SIN-233
OR11027600-08	276.00	11.00	NBR	SIN-365
OR63527622-08	276.22	6.35	NBR	SIN-239
OR40027700-08	277.00	4.00	NBR	SIN-299
OR40027700-64	277.00	4.00	FKM	SIN-359
OR50027700-08	277.00	5.00	NBR	SIN-272
OR10227700-43	277.00	10.20	VMQ	SIN-433
OR20027700-06	277.00	20.00	NBR	SIP-202
OR69927750-08	277.50	6.99	NBR	SIN-303
OR69927750-08	277.50	6.99	NBR	SIN-213
OR26227780-35	277.80	2.62	EPDM	SIN-402
OR20027800-64	278.00	2.00	FKM	SIN-403
OR25027800-D5	278.00	2.50	HNBR	SIN-311
OR30027800-66	278.00	3.00	FKM	SIN-463
OR31527800-08	278.00	3.15	NBR	SIN-180
OR50027800-08	278.00	5.00	NBR	SIN-217
OR50027800-64	278.00	5.00	FKM	SIN-370
OR51027800-66	278.00	5.10	FKM	SIN-458
OR55027800-64	278.00	5.50	FKM	SIN-327
OR20067800-08	278.00	6.00	NBR	SIN-129
OR65027800-08	278.00	6.50	NBR	SIN-412
OR70027800-64	278.00	7.00	FKM	SIN-171
OR80027800-64	278.00	8.00	FKM	SIN-182
OR90027800-08	278.00	9.00	NBR	SIN-363
OR12727800-06	278.00	12.70	NBR	SIP-251
OR14027830-67	278.30	14.00	FKM	SIP-381
OR80027848-05	278.48	8.00	NBR	SIN-364
OR10227850-09	278.50	10.20	NBR	SIN-264
OR57027860-08	278.60	5.70	NBR	SIN-263
OR57027860-43	278.60	5.70	VMQ	SIN-197
OR53327877-D5	278.77	5.33	HNBR	SIN-261
OR53327877-08	278.77	5.33	NBR	SIN-319
OR63327877-10	278.77	6.33	NBR	SIN-344
OR69927877-08	278.77	6.99	NBR	SIN-252
OR69927877-43	278.77	6.99	VMQ	SIN-274
OR69927877-BN	278.77	6.99	FKM	SIN-380
OR55327878-08	278.78	5.53	NBR	SIN-452
OR53327880-08	278.80	5.33	NBR	SIN-165
OR70027880-08	278.80	7.00	NBR	SIN-139
OR35327899-64	278.99	3.53	FKM	SIN-342
OR35327899-08	278.99	3.53	NBR	SIN-178
OR35327899-45	278.99	3.53	VMQ	SIN-237
OR35327899-32	278.99	3.53	EPDM	SIN-245
OR35327899-64	278.99	3.53	FKM	SIN-368
OR35327899-04	278.99	3.53	NBR	SIN-416
OR86027900-08	279.00	8.60	NBR	SIN-162
OR90027900-64	279.00	9.00	FKM	SIN-353
OR57027930-66	279.30	5.70	FKM	SIN-248
OR57027930-08	279.30	5.70	NBR	SIN-230
OR31727940-64	279.40	3.17	FKM	SIN-296
OR47527940-08	279.40	4.75	NBR	SIN-393
OR63527940-08	279.40	6.30	NBR	SIN-131
OR68027940-11	279.40	6.80	NBR	SIN-106
OR96527940-64	279.40	9.65	FKM	SIN-391
OR198127940-08	279.40	19.81	NBR	SIP-358
OR84027950-11	279.50	8.40	NBR	SIN-243
OR84027950-43	279.50	8.40	VMQ	SIN-268

Bold sizes are readily available in stock.
Other material are available on request.

Part No.	d	c/s	Material	Mould No.
OR57027930-65	279.60	5.70	FKM	SIN-459
OR25028000-T9	280.00	2.50	FKM	SIN-367
OR30028000-08	280.00	3.00	NBR	SIN-145
OR30028000-64	280.00	3.00	FKM	SIN-384
OR35028000-66	280.00	3.50	FKM	SIN-260
OR37028000-64	280.00	3.70	FKM	SIN-417
OR40028000-10	280.00	4.00	CR	SIN-438
OR45028000-64	280.00	4.50	FKM	SIN-186
OR45028000-08	280.00	4.50	NBR	SIN-360
OR50028000-08	280.00	5.00	NBR	SIN-246
OR50028000-64	280.00	5.00	FKM	SIN-294
OR52028000-64	280.00	5.20	FKM	SIN-390
OR53028000-10	280.00	5.30	NBR	SIN-235
OR55028000-08	280.00	5.50	NBR	SIN-295
OR55028000-32	280.00	5.50	EPDM	SIN-278
OR55028000-64	280.00	5.50	FKM	SIN-420
OR60028000-08	280.00	6.00	NBR	SIN-160
OR65028000-08	280.00	6.50	NBR	SIN-320
OR69928000-66	280.00	6.99	FKM	SIN-114
OR70028000-T5	280.00	7.00	EPDM	SIN-349
OR70028000-08	280.00	7.00	NBR	SIN-301
OR75028000-08	280.00	7.50	NBR	SIN-195
OR80028000-67	280.00	8.00	FKM	SIN-346
OR80028000-08	280.00	8.00	NBR	SIN-212
OR85028000-64	280.00	8.50	FKM	SIN-328
OR86028000-08	280.00	8.60	NBR	SIN-307
OR90028000-08	280.00	9.00	NBR	SIN-257
OR95028000-11	280.00	9.50	NBR	SIN-283
OR10028000-08	280.00	10.00	NBR	SIN-169
OR12028000-08	280.00	12.00	NBR	SIP-197
OR14028000-64	280.00	14.00	FKM	SIP-339
OR16028000-28	280.00	16.00	EPDM	SIP-224
OR25028000-32	280.00	25.00	EPDM	SIR-575
OR20028100-08	281.00	2.00	NBR	SIN-157
OR53428100-08	281.00	5.34	NBR	SIN-158
OR57028100-08	281.00	5.70	NBR	SIN-189
OR85028100-64	281.00	8.50	FKM	SIN-326
OR30028200-64	282.00	3.00	FKM	SIN-376
OR30028200-08	282.00	3.00	NBR	SIN-253
OR35028200-08	282.00	3.50	NBR	SIN-138
OR40028200-08	282.00	4.00	NBR	SIN-255
OR65028200-08	282.00	6.50	NBR	SIN-293
OR70028200-43	282.00	7.00	VMQ	SIN-202
OR10228200-43	282.00	10.20	VMQ	SIP-184
OR10528200-08	282.00	10.50	NBR	SIP-154
OR31728250-66	282.50	3.17	FKM	SIN-449
OR80028260-08	282.60	8.00	NBR	SIN-118
OR50028300-08	283.00	5.00	NBR	SIN-108
OR60028300-08	283.00	6.00	NBR	SIN-201
OR85028300-08	283.00	8.50	NBR	SIN-275
OR25028400-64	284.00	2.50	FKM	SIN-222
OR25028400-08	284.00	2.50	NBR	SIN-172
OR25028400-31	284.00	2.50	EPDM	SIN-313
OR25028400-63	284.00	2.50	FKM	SIN-315
OR25028400-11	284.00	2.50	EPDM	SIN-316
OR30028400-64	284.00	3.00	FKM	SIN-280
OR30028400-08	284.00	3.00	NBR	SIN-147
OR62028400-10	284.00	6.20	NBR	SIN-450
OR53028440-08	284.40	5.30	NBR	SIN-322
OR84028450-64	284.50	8.40	FKM	SIP-187
OR84028450-08	284.50	8.40	NBR	SIP-212
OR40028460-08	284.60	4.00	NBR	SIN-339
OR15028500-08	285.00	1.50	NBR	SIN-273
OR26228500-08	285.00	2.62	NBR	SIN-362
OR30028500-08	285.00	3.00	NBR	SIN-119
OR35028500-08	285.00	3.50	NBR	SIN-110
OR40028500-06	285.00	4.00	NBR	SIN-399
OR50028500-08	285.00	5.00	NBR	SIN-143
OR53328500-11	285.00	5.33	NBR	SIN-184
OR53328500-64	285.00	5.33	FKM	SIN-372
OR57028500-08	285.00	5.70	NBR	SIN-427
OR60028500-43	285.00	6.00	VMQ	SIN-286
OR60028500-32	285.00	6.00	EPDM	SIN-383

Part No.	d	c/s	Material	Mould No.
OR70028500-64	285.00	7.00	FKM	SIN-224
OR70028500-10	285.00	7.00	NBR	SIN-125
OR75028500-08	285.00	7.50	NBR	SIN-107
OR80028500-08	285.00	8.00	NBR	SIP-237
OR85028500-08	285.00	8.50	NBR	SIP-210
OR85028500-59	285.00	8.50	PU	POD-142
OR90028500-08	285.00	9.00	NBR	SIP-292
OR10028500-08	285.00	10.00	NBR	SIP-122
OR20285000-08	285.00	20.00	NBR	SIP-376
OR60028570-08	285.70	6.00	NBR	SIN-137
OR63528575-09	285.75	6.35	NBR	SIN-146
OR16028600-08	286.00	16.00	NBR	SIN-386
OR16028600-08	286.00	1.60	NBR	SIN-377
OR20028600-08	286.00	2.00	NBR	SIN-204
OR25028600-08	286.00	2.50	NBR	SIN-206
OR40028600-08	286.00	4.00	NBR	SIN-190
OR43028600-08	286.00	4.30	NBR	SIN-348
OR60028600-08	286.00	6.00	NBR	SIN-461
OR67528600-08	286.00	6.75	NBR	SIN-437
OR75028600-67	286.00	7.50	FKM	SIP-297
OR80028600-64	286.00	8.00	FKM	SIP-266
OR11028600-08	286.00	11.00	NBR	SIP-294
OR65028700-08	287.00	6.50	NBR	SIN-122
OR53328710-D5	287.10	5.33	HNBR	SIN-381
OR54028750-64	287.50	5.40	FKM	SIN-225
OR30028760-64	287.60	3.00	FKM	SIN-414
OR30028800-20	288.00	3.00	CR	SIN-413
OR35028800-10	288.00	3.50	NBR	SIN-374
OR40028800-08	288.00	4.00	NBR	SIN-338
OR50027500-08	288.00	5.00	NBR	SIN-251
OR50028800-64	288.00	5.00	FKM	SIN-309
OR53428800-17	288.00	5.34	CR	SIN-291
OR60028800-08	288.00	6.00	NBR	SIN-422
OR70028800-08	288.00	7.00	NBR	SIP-110
OR70028800-64	288.00	7.00	FKM	SIP-353
OR10028800-S9	288.00	10.00	VMQ	SIP-319
OR12028800-32	288.00	12.00	EPDM	SIP-307
OR50028810-64	288.10	5.00	FKM	SIN-240
OR32028850-08	288.50	3.20	NBR	SIN-236
OR12728892-08	288.92	12.70	NBR	SIP-166
OR40028900-08	289.00	4.00	NBR	SIN-267
OR60028900-08	289.00	6.00	NBR	SIP-117
OR65028900-64	289.00	6.50	FKM	SIP-279
OR80028900-T5	289.00	8.00	EPDM	SIP-350
OR57028920-43	289.20	5.70	VMQ	SIP-305
OR31028930-08	289.30	3.10	NBR	SIN-410
OR57028930-08	289.30	5.70	NBR	SIN-164
OR57028930-64	289.30	5.70	FKM	SIP-199
OR57028930-08	289.30	5.70	NBR	SIP-278
OR84028950-08	289.50	8.40	NBR	SIP-280
OR20029000-08	290.00	2.00	NBR	SIN-329
OR25029000-30	290.00	2.50	EPDM	SIN-430
OR26229000-08	290.00	2.62	NBR	SIN-308
OR30029000-11	290.00	3.00	NBR	SIN-177
OR30029000-64	290.00	3.00	FKM	SIN-112
OR35029000-08	290.00	3.50	NBR	SIN-211
OR40029000-08	290.00	4.00	NBR	SIN-256
OR40029000-34	290.00	4.00	EPDM	SIN-432
OR40029000-39	290.00	4.00	VMQ	SIN-418
OR45029000-11	290.00	4.50	NBR	SIN-284
OR50029000-08	290.00	5.00	NBR	SIN-238
OR50029000-64	290.00	5.00	FKM	SIN-120
OR53329000-08	290.00	5.33	NBR	SIP-182
OR55029000-10	290.00	5.50	NBR	SIP-227
OR57529000-08	290.00	5.75	NBR	SIP-205
OR60029000-08	290.00	6.00	NBR	SIP-201
OR60029000-64	290.00	6.00	FKM	SIP-222
OR70029000-64	290.00	7.00	FKM	SIP-302
OR75029000-08	290.00	7.50	NBR	SIP-112
OR80029000-64	290.00	8.00	FKM	SIP-175
OR45329075-08	290.75	4.53	NBR	SIN-254
OR45329075-64	290.75	4.53	FKM	SIN-407
OR15029100-04	291.00	1.50	NBR	SIN-444

Bold sizes are readily available in stock.
 Other material are available on request.

Part No.	d	c/s	Material	Mould No.
OR26529100-D5	291.00	2.65	HNBR	SIN-318
OR30029100-64	291.00	3.00	FKM	SIN-279
OR55029100-64	291.00	5.50	FKM	SIP-282
OR57029100-43	291.00	5.70	VMQ	SIP-298
OR35329147-64	291.47	3.53	FKM	SIN-440
OR53329147-64	291.47	5.33	FKM	SIP-150
OR53329147-08	291.47	5.33	NBR	SIP-232
OR69929147-08	291.47	6.99	NBR	SIP-103
OR69929147-43	291.47	6.99	VMQ	SIP-126
OR69929147-64	291.47	6.99	FKM	SIP-220
OR69929147-CL	291.47	6.99	FKM	SIP-325
OR70029150-08	291.50	7.00	NBR	SIP-289
OR62029160-64	291.60	6.20	FKM	SIP-328
OR35329169-08	291.69	3.53	NBR	SIN-208
OR35329169-64	291.69	3.53	FKM	SIN-168
OR35329170-08	291.70	3.53	NBR	SIN-392
OR20029200-08	292.00	2.00	NBR	SIN-101
OR40029200-08	292.00	4.00	NBR	SIN-121
OR60029200-08	292.00	6.00	NBR	SIP-116
OR70029200-08	292.00	7.00	NBR	SIP-129
OR30229210-08	292.10	3.02	NBR	SIN-456
OR31829210-08	292.10	3.18	NBR	SIN-434
OR47629210-08	292.10	4.76	NBR	SIP-359
OR30229543-08	292.10	3.02	NBR	SIP-225
OR63529210-08	292.10	6.35	NBR	SIP-125
OR63529210-66	292.10	6.35	FKM	SIP-389
OR20029300-08	293.00	2.00	NBR	SIN-429
OR30029300-43	293.00	3.00	VMQ	SIN-371
OR50029300-08	293.00	5.00	NBR	SIP-104
OR80029300-08	293.00	8.00	NBR	SIP-308
OR12529300-08	293.00	12.50	NBR	SIP-256
OR69929305-08	293.05	6.99	NBR	SIS-204
OR57029350-64	293.50	5.70	FKM	SIP-293
OR142829369-08	293.69	14.28	NBR	SIP-180
OR55029380-08	293.80	5.50	NBR	SIP-296
OR85029380-64	293.80	8.50	FKM	SIP-263
OR15029400-08	294.00	1.50	NBR	SIN-394
OR25029400-09	294.00	2.50	NBR	SIN-330
OR26229400-T2	294.00	2.62	VMQ	SIN-378
OR30029400-08	294.00	3.00	NBR	SIN-111
OR35029400-08	294.00	3.50	NBR	SIP-147
OR40029400-10	294.00	4.00	NBR	SIP-262
OR53329400-66	294.00	5.33	FKM	SIP-204
OR57029430-R1	294.30	5.70	FVMQ	SIP-329
OR60029450-08	294.50	6.00	NBR	SIP-123
OR84029450-08	294.50	8.40	NBR	SIP-229
OR84029450-65	294.50	8.40	FKM	SIP-387
OR60029500-64	295.00	6.00	FKM	SIR-397
OR15029500-08	295.00	1.50	NBR	SIN-386
OR18029500-08	295.00	1.80	NBR	SIN-443
OR32029500-64	295.00	3.20	FKM	SIP-245
OR40029500-08	295.00	4.00	NBR	SIP-226
OR45029500-08	295.00	4.50	NBR	SIP-196
OR50029500-64	295.00	5.00	FKM	SIP-195
OR53329500-08	295.00	5.33	NBR	SIP-300
OR57029500-08	295.00	5.70	NBR	SIP-163
OR60029500-08	295.00	6.00	NBR	SIP-355
OR70029500-64	295.00	7.00	FKM	SIP-264
OR75029500-08	295.00	7.50	NBR	SIP-140
OR80029500-41	295.00	8.00	VMQ	SIP-258
OR90029500-08	295.00	9.00	NBR	SIP-257
OR10029500-64	295.00	10.00	FKM	SIP-327
OR16029500-08	295.00	16.00	NBR	SIR-338
OR30129545-08	295.45	3.01	NBR	SIP-321
OR87029550-10	295.50	8.70	NBR	SIR-389
OR17029600-32	296.00	1.70	EPDM	SIN-464
OR49029600-08	296.00	4.90	NBR	SIP-269
OR50029600-06	296.00	5.00	NBR	SIP-208
OR60029600-08	296.00	6.00	NBR	SIP-119
OR62029600-64	296.00	6.20	FKM	SIP-194
OR70029600-08	296.00	7.00	NBR	SIP-138
OR80029600-64	296.00	8.00	FKM	SIP-160
OR94029636-34	296.36	9.40	EPDM	SIP-371

Part No.	d	c/s	Material	Mould No.
OR40029700-08	297.00	4.00	NBR	SIP-137
OR40029700-08	297.00	4.00	NBR	SIP-135
OR40029700-64	297.00	4.00	FKM	SIP-242
OR65029700-11	297.00	6.50	NBR	SIP-216
OR69929750-08	297.50	6.99	NBR	SIP-260
OR53329784-08	297.84	5.33	NBR	SIP-209
OR26029800-08	298.00	2.60	NBR	SIP-247
OR31729800-11	298.00	3.17	NBR	SIP-272
OR35029800-08	298.00	3.50	NBR	SIP-270
OR60029800-08	298.00	6.00	NBR	SIP-246
OR61529800-07	298.00	6.15	NBR	SIP-323
OR80029800-38	298.00	8.00	VMQ	SIP-235
OR97029800-08	298.00	9.70	NBR	SIP-360
OR10029800-39	298.00	10.00	VMQ	SIP-254
OR125029800-06	298.00	12.50	NBR	SIP-287
OR200029800-08	298.00	20.00	NBR	SIR-528
OR300029900-08	299.00	3.00	NBR	SIP-133
OR300029900-08	299.00	3.00	NBR	SIP-131
OR84029900-64	299.00	8.40	FKM	SIP-347
OR57029930-08	299.30	5.70	NBR	SIP-124
OR57029930-64	299.30	5.70	FKM	SIP-152
OR57029930-43	299.30	5.70	VMQ	SIP-309
OR57029930-08	299.30	5.70	NBR	SIP-306
OR57029930-L3	299.30	5.70	AFLAS	SIP-341
OR84029950-08	299.50	8.40	NBR	SIP-346
OR20030000-08	300.00	2.00	NBR	SIR-286
OR25030000-09	300.00	2.50	NBR	SIR-379
OR40030000-64	300.00	4.00	FKM	SIR-345
OR80030000	300.00	8.00	NBR	SIR-337
OR95030000-08	300.00	9.50	NBR	SIR-388
OR10030000-08	300.00	1.00	NBR	SIP-324
OR17830000-08	300.00	1.78	NBR	SIP-372
OR17830000-64	300.00	1.78	FKM	SIP-380
OR20030000-08	300.00	2.00	NBR	SIR-286
OR25030000-09	300.00	2.50	NBR	SIR-379
OR30030000-08	300.00	3.00	NBR	SIP-354
OR35030000-66	300.00	3.50	FKM	SIP-156
OR40030000-64	300.00	4.00	FKM	SIR-345
OR40030000-08	300.00	4.00	NBR	SIP-219
OR45030000-10	300.00	4.50	NBR	SIP-128
OR50030000-08	300.00	5.00	NBR	SIP-134
OR50030000-08	300.00	5.00	NBR	SIP-136
OR57030000-08	300.00	5.70	NBR	SIP-169
OR60030000-08	300.00	6.00	NBR	SIP-111
OR60030000-64	300.00	6.00	FKM	SIP-241
OR63030000-08	300.00	6.30	NBR	SIP-236
OR69930000-08	300.00	6.99	NBR	SIP-139
OR70030000-64	300.00	7.00	FKM	SIP-243
OR75030000-08	300.00	7.50	NBR	SIP-304
OR80030000	300.00	8.00	NBR	SIR-337
OR80030000-08	300.00	8.00	NBR	SIP-338
OR81030000-08	300.00	8.10	NBR	SIP-167
OR85030000-64	300.00	8.50	FKM	SIP-369
OR86030000-64	300.00	8.60	FKM	SIP-340
OR95030000-08	300.00	9.50	NBR	SIR-388
OR10003000-64	300.00	10.00	FKM	SIP-274
OR100030000-43	300.00	10.00	VMQ	SIP-105
OR125030000-64	300.00	12.50	FKM	SIP-288
OR26230048-66	300.48	2.62	FKM	SIP-356
OR35030100-07	301.00	3.50	NBR	SIP-348
OR53330100-64	301.00	5.33	FKM	SIP-331
OR53330100-08	301.00	5.33	NBR	SIP-351
OR80030100-20	301.00	8.00	CR	SIR-322
OR80030100-64	301.00	8.00	FKM	SIR-324
OR85030100-08	301.00	8.50	NBR	SIP-334
OR26230150-08	301.50	2.62	NBR	SIP-310
OR26230150-64	301.50	2.62	FKM	SIP-357
OR25030200-64	302.00	2.50	FKM	SIP-255
OR30030200-08	302.00	3.00	NBR	SIP-330
OR35030200-08	302.00	3.50	NBR	SIP-267
OR40030200-08	302.00	4.00	NBR	SIP-165
OR40030200-66	302.00	4.00	FKM	SIP-362
OR60030200-08	302.00	6.00	NBR	SIR-290

Bold sizes are readily available in stock.
Other material are available on request.

Part No.	d	c/s	Material	Mould No.
OR65030200-08	302.00	6.50	NBR	SIP-109
OR70030200-64	302.00	7.00	FKM	SIP-213
OR80030200-64	302.00	8.00	FKM	SIP-293
OR70030270	302.70	7.00	NBR	SIP-132
OR70030270-08	302.70	7.00	NBR	SIP-130
OR26230300-32	303.00	2.62	EPDM	SIP-301
OR53430300	303.00	5.34	NBR	SIP-146
OR57030300-08	303.00	5.70	NBR	SIP-265
OR60030300-32	303.00	6.00	EPDM	SIP-271
OR60030300-08	303.00	6.00	NBR	SIP-181
OR18030300-08	303.00	18.00	NBR	SIR-430
OR40030330-64	303.30	4.00	FKM	SIP-352
OR20030400-08	304.00	2.00	NBR	SIP-285
OR30030400-64	304.00	3.00	FKM	SIP-277
OR40030400-32	304.00	4.00	EPDM	SIP-215
OR40030400-08	304.00	4.00	NBR	SIP-231
OR50030400-64	304.00	5.00	FKM	SIP-179
OR50030400-08	304.00	5.00	NBR	SIP-365
OR80030400-64	304.00	8.00	FKM	SIP-192
OR80030400-08	304.00	8.00	NBR	SIP-214
OR53330417-08	304.17	5.33	NBR	SIP-276
OR53330417-43	304.17	5.33	VMQ	SIP-218
OR53330417-20	304.17	5.33	CR	SIP-250
OR53330417-64	304.17	5.33	FKM	SIP-176
OR53330417-66	304.17	5.33	FKM	SIP-155
OR69930417-D5	304.17	6.99	HNBR	SIP-244
OR69930417-O3	304.17	6.99	NBR	SIP-385
OR70030417-08	304.17	7.00	NBR	SIP-335
OR35330439-08	304.39	3.53	NBR	SIP-161
OR35330439-N8	304.39	3.53	NBR	SIP-189
OR35330439-N3	304.39	3.53	FKM	SIP-183
OR35330440-43	304.40	3.53	VMQ	SIP-345
OR84030450-43	304.50	8.40	VMQ	SIP-193
OR69930470	304.70	6.99	NBR	SIP-107
OR18030480-08	304.80	1.80	NBR	SIP-248
OR63530480-10	304.80	6.35	NBR	SIP-153
OR68830480-45	304.80	6.88	VMQ	SIR-424
OR26530500-08	305.00	2.65	NBR	SIP-312
OR26530500-64	305.00	2.65	FKM	SIP-366
OR30030500-08	305.00	3.00	NBR	SIP-159
OR40030500-64	305.00	4.00	FKM	SIP-388
OR50030500-08	305.00	5.00	NBR	SIP-200
OR57030500-08	305.00	5.70	NBR	SIP-162
OR60030500-11	305.00	6.00	NBR	SIP-143
OR70030500-08	305.00	7.00	NBR	SIP-336
OR80030500-43	305.00	8.00	VMQ	SIP-223
OR95030500-08	305.00	9.50	NBR	SIP-230
OR100030500-08	305.00	10.00	NBR	SIP-261
OR102030500-38	305.00	10.20	VMQ	SIR-520
OR12030500-08	305.00	12.00	NBR	SIR-497
OR127030500-06	305.00	12.70	NBR	SIR-354
OR40630600-R1	306.00	4.06	VMQ	SIP-326
OR57030600-32	306.00	5.70	EPDM	SIP-378
OR70030600-38	306.00	7.00	VMQ	SIP-320
OR80030600-64	306.00	8.00	FKM	SIP-211
OR82530650-20	306.50	8.25	CR	SIP-342
OR70030670-11	306.70	7.00	NBR	SIP-173
OR53330673-04	306.73	5.33	NBR	SIP-170
OR26230700-64	307.00	2.62	FKM	SIP-168
OR35030700-08	307.00	3.50	NBR	SIP-252
OR40030700-08	307.00	4.00	NBR	SIP-240
OR50030700-08	307.00	5.00	NBR	SIP-108
OR70030700-64	307.00	7.00	FKM	SIP-374
OR72530700-08	307.00	7.25	NBR	SIP-118
OR80030700-43	307.00	8.00	VMQ	SIP-268
OR90030700-08	307.00	9.00	NBR	SIP-291
OR35330439-64	308.00	3.53	FKM	SIP-151
OR40030800-64	308.00	4.00	FKM	SIR-376
OR40030800	308.00	4.00	NBR	SIP-102
OR55030800-08	308.00	5.50	NBR	SIP-290
OR60030800-08	308.00	6.00	NBR	SIP-333
OR63530800-10	308.00	6.35	NBR	SIP-295
OR65030800-08	308.00	6.50	NBR	SIP-177

Part No.	d	c/s	Material	Mould No.
OR69930800-64	308.00	6.99	FKM	SIP-332
OR75030800-32	308.00	7.50	EPDM	SIP-120
OR80030800-08	308.00	8.00	NBR	SIR-305
OR12730800	308.00	12.70	NBR	SIR-165
OR35330859-08	308.59	3.53	NBR	SIR-385
OR30030900-43	309.00	3.00	VMQ	SIP-149
OR35030900-64	309.00	3.50	FKM	SIP-221
OR57030930-08	309.30	5.70	NBR	SIP-186
OR35030950-08	309.50	3.50	NBR	SIP-253
OR84030950-08	309.50	8.40	NBR	SIR-508
OR90030950-43	309.50	9.00	VMQ	SIR-240
OR20031000-08	310.00	2.00	NBR	SIP-350
OR25031000-08	310.00	2.50	NBR	SIP-283
OR25031000-64	310.00	2.50	FKM	SIP-315
OR30031000-08	310.00	3.00	NBR	SIP-228
OR32031000-08	310.00	3.20	NBR	SIP-363
OR40031000-08	310.00	4.00	NBR	SIP-207
OR40031000-64	310.00	4.00	FKM	SIP-233
OR42531000-08	310.00	4.25	NBR	SIP-275
OR50031000-11	310.00	5.00	NBR	SIP-115
OR50031000-64	310.00	5.00	FKM	SIP-217
OR50031000-L5	310.00	5.00	PU	POD-166
OR50031000-18	310.00	5.00	CR	SIP-375
OR53331000-64	310.00	5.33	FKM	SIP-185
OR57031000	310.00	5.70	NBR	SIP-141
OR57031000	310.00	5.70	NBR	SIP-142
OR60031000	310.00	6.00	NBR	SIP-114
OR60031000-32	310.00	6.00	EPDM	SIP-384
OR69931000-67	310.00	6.99	FKM	SIP-395
OR80031000-08	310.00	8.00	NBR	SIR-327
OR10031000-64	310.00	10.00	FKM	SIR-569
OR30031080-T5	310.80	3.00	EPDM	SIP-311
OR45031100-64	311.00	4.50	FKM	SIP-198
OR70031100	311.00	7.00	NBR	SIP-101
OR69931153-64	311.53	6.99	FKM	SIR-608
OR15031200-04	312.00	1.50	NBR	SIP-377
OR17831200-66	312.00	1.78	FKM	SIP-361
OR30031200-08	312.00	3.00	NBR	SIP-145
OR35331200-66	312.00	3.53	FKM	SIP-239
OR40031200-08	312.00	4.00	NBR	SIP-234
OR45031200-D6	312.00	4.50	HNBR	SIP-379
OR60031200-08	312.00	6.00	NBR	SIP-386
OR70031200-08	312.00	7.00	NBR	SIR-359
OR200031200-06	312.00	20.00	NBR	SIR-255
OR25031250-08	312.50	2.50	NBR	SIP-191
OR40031300-64	313.00	4.00	FKM	SIP-303
OR50031300-L3	313.00	5.00	AFLAS	SIP-373
OR70031300-64	313.00	7.00	FKM	SIR-433
OR76031300-64	313.00	7.60	FKM	SIR-524
OR86031300-64	313.00	8.60	FKM	SIR-574
OR53331349-64	313.49	5.33	FKM	SIP-113
OR53331349-N8	313.49	5.33	NBR	SIP-188
OR84031350-08	313.50	8.40	NBR	SIR-438
OR30031400-08	314.00	3.00	NBR	SIP-299
OR32531400-08	314.00	3.25	NBR	SIP-364
OR35031400-64	314.00	3.50	FKM	SIP-349
OR47031400-08	314.00	4.70	NBR	SIP-370
OR69932798-08	314.00	6.99	NBR	SIR-409
OR80031400-08	314.00	8.00	NBR	SIR-188
OR84031410-R1	314.10	8.40	FVMQ	SIR-523
OR57031430-08	314.30	5.70	NBR	SIP-365
OR84031450-64	314.50	8.40	FKM	SIR-469
OR120631496-10	314.96	12.06	NBR	SIR-321
OR15031500-08	315.00	1.50	NBR	SIP-286
OR20031500-08	315.00	2.00	NBR	SIP-285
OR26531500-08	315.00	2.65	NBR	SIP-313
OR26531500-64	315.00	2.65	FKM	SIP-367
OR35031500-32	315.00	3.50	EPDM	SIR-357
OR35331500-10	315.00	3.53	NBR	SIP-164
OR35531500-64	315.00	3.55	FKM	SIP-190
OR40031500	315.00	4.00	NBR	SIP-106
OR40031500-64	315.00	4.00	FKM	SIP-259
OR40031500-08	315.00	4.00	NBR	SIP-368

Bold sizes are readily available in stock.
 Other material are available on request.

Part No.	d	c/s	Material	Mould No.
OR50031500-64	315.00	5.00	FKM	SIP-281
OR50031500-08	315.00	5.00	NBR	SIP-148
OR55031500-65	315.00	5.50	FKM	SIR-431
OR60031500-08	315.00	6.00	NBR	SIR-183
OR60031500-43	315.00	6.00	VMQ	SIR-349
OR75031500-64	315.00	7.50	FKM	SIR-495
OR80031500-S8	315.00	8.00	NBR	SIR-548
OR85031500-32	315.00	8.50	EPDM	SIR-373
OR10031500-43	315.00	10.00	VMQ	SIR-298
OR127031500-P8	315.00	12.70	HNBR	SIR-383
OR127031500-06	315.00	12.70	NBR	SIR-478
OR140031500-08	315.00	14.00	NBR	SIR-558
OR25031600-08	316.00	2.50	NBR	SIP-318
OR30031600-08	316.00	3.00	NBR	SIR-362
OR26031660-08	316.60	2.60	NBR	SIP-249
OR69931687-08	316.87	6.99	NBR	SIR-103
OR70031687-O3	316.87	6.99	NBR	SIR-132
OR69931687-64	316.87	6.99	FKM	SIR-351
OR70031687-66	316.87	7.00	FKM	SIR-272
OR40031700-08	317.00	4.00	NBR	SIP-206
OR50031700-64	317.00	5.00	FKM	SIR-289
OR53331700-08	317.00	5.33	NBR	SIR-190
OR53331700-64	317.00	5.33	FKM	SIR-414
OR32031750-10	317.50	3.20	NBR	SIP-343
OR63531750-64	317.50	6.35	FKM	SIR-149
OR63531750-08	317.50	6.35	NBR	SIR-380
OR16031800-08	318.00	1.60	NBR	SIP-314
OR25031800-08	318.00	2.50	NBR	SIP-238
OR53331800-64	318.00	5.33	FKM	SIR-142
OR95031800-28	318.00	9.50	EPDM	SIR-512
OR11031800-08	318.00	11.00	NBR	SIR-594
OR127031800-06	318.00	12.70	NBR	SIR-302
OR26231900-08	319.00	2.62	NBR	SIP-317
OR55031900-32	319.00	5.50	EPDM	SIR-370
OR60031900-08	319.00	6.00	NBR	SIR-472
OR125031900-06	319.00	12.50	NBR	SIR-568
OR57031930-08	319.30	5.70	NBR	SIR-221
OR57031930-38	319.30	5.70	VMQ	SIR-339
OR57031930-64	319.30	5.70	FKM	SIR-248
OR57031930-R1	319.30	5.70	FVMQ	SIR-547
OR57031930-D5	319.30	5.70	HNBR	SIR-576
OR84031950-08	319.50	8.40	NBR	SIR-466
OR30032000-08	320.00	3.00	NBR	SIR-210
OR30032000-64	320.00	3.00	FKM	SIR-151
OR35332000-64	320.00	3.53	FKM	SIR-458
OR35532000-08	320.00	3.55	NBR	SIR-439
OR40032000-08	320.00	4.00	NBR	SIR-369
OR40032000-64	320.00	4.00	FKM	SIR-587
OR45032000-64	320.00	4.50	FKM	SIR-342
OR50032000-67	320.00	5.00	FKM	SIR-445
OR50032000-08	320.00	5.00	NBR	SIR-117
OR53332000-08	320.00	5.33	NBR	SIR-218
OR53332000-64	320.00	5.33	FKM	SIR-274
OR60032000-08	320.00	6.00	NBR	SIR-182
OR65032000-64	320.00	6.50	FKM	SIR-428
OR70032000-08	320.00	7.00	NBR	SIR-162
OR75032000-64	320.00	7.50	FKM	SIR-261
OR80032000-64	320.00	8.00	FKM	SIR-444
OR80032000-08	320.00	8.00	NBR	SIR-121
OR86032000-64	320.00	8.60	FKM	SIR-573
OR90032000-64	320.00	9.00	FKM	SIR-448
OR123032000-08	320.00	12.30	NBR	SIR-500
OR200032000-43	320.00	20.00	VMQ	SIR-544
OR20032100-08	321.00	2.00	NBR	SIP-284
OR53332100-08	321.00	5.33	NBR	SIR-310
OR57032100	321.00	5.70	NBR	SIR-141
OR12032100-08	321.00	12.00	NBR	SIR-319
OR35332200-O4	322.00	3.53	FKM	SIR-119
OR70032200-64	322.00	7.00	FKM	SIR-252
OR25032250-66	322.50	2.50	FKM	SIR-582
OR6003280-65	322.80	6.00	FKM	SIR-590
OR61032280-13	322.80	6.10	NBR	SIR-612
OR40032300-64	323.00	4.00	FKM	SIR-382

Part No.	d	c/s	Material	Mould No.
OR40032300-08	323.00	4.00	NBR	SIR-559
OR80032300-64	323.00	8.00	FKM	SIR-488
OR250032300-06	323.00	25.00	NBR	SIR-256
OR35332340-64	323.40	3.53	FKM	SIR-615
OR18032350-43	323.50	1.80	VMQ	SIR-541
OR25032364-08	323.64	2.50	NBR	SIR-482
OR222232385-08	323.85	22.22	NBR	SIR-515
OR30032400-08	324.00	3.00	NBR	SIR-315
OR35032400-08	324.00	3.50	NBR	SIR-475
OR80032400-08	324.00	8.00	NBR	SIR-236
OR200032400-08	324.00	20.00	NBR	SIR-527
OR61032410-67	324.10	6.10	FKM	SIR-539
OR60032420-08	324.20	6.00	NBR	SIR-514
OR57032430-08	324.30	5.70	NBR	SIR-599
OR17832450-08	324.50	1.78	NBR	SIR-557
OR20032500-04	325.00	2.00	NBR	SIR-610
OR28032500-66	325.00	2.80	FKM	SIR-618
OR35332500-08	325.00	3.53	NBR	SIR-279
OR35332500-BQ	325.00	3.53	FKM	SIR-496
OR40032500-64	325.00	4.00	FKM	SIR-237
OR40032500-08	325.00	4.00	NBR	SIR-106
OR50032500-08	325.00	5.00	NBR	SIR-249
OR50032500-64	325.00	5.00	FKM	SIR-416
OR53032500	325.00	5.30	NBR	SIR-163
OR53032500-32	325.00	5.30	EPDM	SIR-595
OR55032500-08	325.00	5.50	NBR	SIR-300
OR60032500-64	325.00	6.00	FKM	SIR-216
OR65032500-08	325.00	6.50	NBR	SIR-511
OR69932500-08	325.00	6.99	NBR	SIR-242
OR75032500-08	325.00	7.50	NBR	SIR-378
OR100032500-D5	325.00	10.00	HNBR	SIR-147
OR130032500-08	325.00	13.00	NBR	SIR-263
OR15032500	325.00	15.00	NBR	SIR-148
OR84032560-64	325.60	8.40	FKM	SIR-396
OR31032500-08	325.80	3.10	NBR	SIR-228
OR53332600-23	326.00	5.33	CR	SIR-215
OR60032600-08	326.00	6.00	NBR	SIR-453
OR70032600-22	326.00	7.00	CR	SIR-484
OR100032600-40	326.00	10.00	VMQ	SIR-403
OR533326424-64	326.24	5.33	FKM	SIR-410
OR17832700-32	327.00	1.78	EPDM	SIR-556
OR30032700-08	327.00	3.00	NBR	SIR-510
OR40032700-08	327.00	4.00	NBR	SIR-552
OR55032700-08	327.00	5.50	NBR	SIR-318
OR70032700-11	327.00	7.00	NBR	SIR-129
OR80032700-64	327.00	8.00	FKM	SIR-399
OR80032700-08	327.00	8.00	NBR	SIR-607
OR100032700-64	327.00	10.00	FKM	SIR-418
OR35332702-65	327.02	3.53	FKM	SIR-540
OR47632702-64	327.02	4.76	FKM	SIR-191
OR35032800-64	328.00	3.50	FKM	SIR-262
OR40032800-66	328.00	4.00	FKM	SIR-477
OR67532800-08	328.00	6.75	NBR	SIR-435
OR67532800-64	328.00	6.75	FKM	SIR-102
OR75032800-08	328.00	7.50	NBR	SIR-371
OR57032900-08	329.00	5.70	NBR	SIR-171
OR60032900	329.00	6.00	NBR	SIR-157
OR57032930	329.30	5.70		SIR-172
OR57032930-67	329.30	5.70	FKM	SIR-250
OR43032940-08	329.40	4.30	NBR	SIR-554
OR71032950	329.50	7.10	NBR	SIR-110
OR84032950-08	329.50	8.40	NBR	SIR-506
OR53332957-11	329.57	5.33	NBR	SIR-194
OR53332957-63	329.57	5.33	FKM	SIR-275
OR53332957-43	329.57	5.33	VMQ	SIR-281
OR53332957-08	329.57	5.33	NBR	SIR-529
OR53332957-32	329.57	5.33	EPDM	SIR-579
OR69932957-64	329.57	6.99	FKM	SIR-208
OR69932957-08	329.57	6.99	NBR	SIR-340
OR35332979-07	329.79	3.53	NBR	SIR-193
OR35332979-63	329.79	3.53	FKM	SIR-276
OR35332979-08	329.79	3.53	NBR	SIR-561
OR35332979-64	329.79	3.53	FKM	SIR-567

Bold sizes are readily available in stock.
Other material are available on request.

Part No.	d	c/s	Material	Mould No.
OR35332979-BA	329.79	3.53	FKM	SIR-627
OR15033000-04	330.00	1.50	NBR	SIR-616
OR20033000-08	330.00	2.00	NBR	SIR-555
OR22033000-08	330.00	2.20	NBR	SIR-499
OR25033000-08	330.00	2.50	NBR	SIR-234
OR25033000-32	330.00	2.50	EPDM	SIR-108
OR25033000-63	330.00	2.50	FKM	SIR-422
OR26533000-08	330.00	2.65	NBR	SIR-553
OR30033000-08	330.00	3.00	NBR	SIR-125
OR30033000-64	330.00	3.00	FKM	SIR-531
OR37033000-08	330.00	3.70	NBR	SIR-145
OR40033000-08	330.00	4.00	NBR	SIR-295
OR40033000-64	330.00	4.00	FKM	SIR-624
OR50033000-08	330.00	5.00	NBR	SIR-150
OR50033000-D5	330.00	5.00	HNBR	SIR-366
OR50033000-08	330.00	5.00	NBR	SIR-114
OR60033000-64	330.00	6.00	FKM	SIR-205
OR60033000-08	330.00	6.00	NBR	SIR-425
OR70033000-32	330.00	7.00	EPDM	SIR-326
OR80033000-43	330.00	8.00	VMQ	SIR-405
OR80033000-08	330.00	8.00	NBR	SIR-112
OR90033000-43	330.00	9.00	VMQ	SIS-1096
OR10033000	330.00	10.00	NBR	SIR-140
OR10003300-43	330.00	10.00	VMQ	SIR-412
OR125033000-10	330.00	12.50	NBR	SIR-266
OR635633020-10	330.20	6.35	NBR	SIR-124
OR63533020-64	330.20	6.35	FKM	SIR-537
OR67833020-45	330.20	6.78	VMQ	SIR-423
OR75033020-11	330.20	7.50	NBR	SIR-491
OR70033055	330.55	7.00	NBR	SIR-135
OR25033100-08	331.00	2.50	NBR	SIR-597
OR55033100-08	331.00	5.50	NBR	SIR-401
OR75033100-64	331.00	7.50	FKM	SIR-284
OR85033100	331.00	8.50	NBR	SIR-146
OR90033100-08	331.00	9.00	NBR	SIR-603
OR40033200	332.00	4.00	NBR	SIR-138
OR50033200-08	332.00	5.00	NBR	SIR-402
OR80033200-08	332.00	8.00	NBR	SIR-118
OR90033200	332.00	9.00	NBR	SIR-105
OR10033200-64	332.00	10.00	FKM	SIR-406
OR47633280-43	332.80	4.76	VMQ	SIR-419
OR55033300-64	333.00	5.50	FKM	SIR-247
OR60033300-64	333.00	6.00	FKM	SIR-381
OR131033300-06	333.00	13.10	NBR	SIR-417
OR14033300	333.00	14.00	NBR	SIR-113
OR69933337-64	333.37	6.99	FKM	SIR-571
OR127033337-08	333.37	12.70	NBR	SIR-546
OR40033300-64	333.70	4.00	FKM	SIR-323
OR400333700-08	333.70	4.00	NBR	SIR-490
OR16033380-64	333.80	1.60	FKM	SIR-542
OR20033400-08	334.00	2.00	NBR	SIR-223
OR25033400-08	334.00	2.50	NBR	SIR-225
OR30033400-08	334.00	3.00	NBR	SIR-224
OR31033400	334.00	3.10	NBR	SIR-158
OR55033400-08	334.00	5.50	NBR	SIR-320
OR57033400-08	334.00	5.70	NBR	SIR-257
OR58033400-59	334.00	5.80	PU	POD-141
OR70033400	334.00	7.00	NBR	SIR-144
OR95033400-06	334.00	9.50	NBR	SIR-474
OR84033450-08	334.50	8.40	NBR	SIR-235
OR26233500-T2	335.00	2.62	VMQ	SIR-494
OR30033500-64	335.00	3.00	FKM	SIR-333
OR35033500-08	335.00	3.50	NBR	SIR-209
OR400335000-64	335.00	4.00	FKM	SIR-578
OR50033500-08	335.00	5.00	NBR	SIR-462
OR53333500-08	335.00	5.33	NBR	SIR-168
OR60033500	335.00	6.00	NBR	SIR-136
OR60033500-64	335.00	6.00	FKM	SIR-621
OR70033500-64	335.00	7.00	FKM	SIR-432
OR73033500-08	335.00	7.30	NBR	SIR-280
OR75033500-64	335.00	7.50	FKM	SIR-244
OR86033500-64	335.00	8.60	FKM	SIR-535
OR90033500-08	335.00	9.00	NBR	SIR-609

Part No.	d	c/s	Material	Mould No.
OR100033500-08	335.00	10.00	NBR	SIR-204
OR140033500-08	335.00	14.00	NBR	SIR-606
OR69933592-M3	335.92	6.99	NBR	SIR-195
OR40033600-64	336.00	4.00	FKM	SIR-408
OR51033600-41	336.00	5.10	VMQ	SIR-271
OR55033600-64	336.00	5.50	FKM	SIR-267
OR75033600-08	336.00	7.50	NBR	SIR-605
OR80033600-08	336.00	8.00	NBR	SIR-123
OR70033625	336.25	7.00	NBR	SIR-107
OR127033655-64	336.55	12.70	FKM	SIR-516
OR26033660-08	336.60	2.60	NBR	SIR-589
OR70033670	336.70	7.00	NBR	SIR-173
OR70033670-08	336.70	7.00	NBR	SIR-170
OR20033700-08	337.00	2.00	NBR	SIR-331
OR40033700-08	337.00	4.00	NBR	SIR-246
OR50033700-T2	337.00	5.00	VMQ	SIR-440
OR58033700-13	337.00	5.80	NBR	SIR-243
OR70033700-64	337.00	7.00	FKM	SIR-313
OR72033700-10	337.00	7.20	NBR	SIR-291
OR84033730-64	337.30	8.40	FKM	SIR-468
OR32033750-43	337.50	3.20	VMQ	SIR-532
OR20033800-64	338.00	2.00	FKM	SIR-600
OR30033800-08	338.00	3.00	NBR	SIR-443
OR35333800-O4	338.00	3.53	FKM	SIR-299
OR53033800-32	338.00	5.30	EPDM	SIR-545
OR60033800-66	338.00	6.00	FKM	SIR-335
OR60033800-08	338.00	6.00	NBR	SIR-364
OR69933800-11	338.00	6.99	NBR	SIR-565
OR131033800-P	338.00	13.10	HNBR	SIR-452
OR57033860-64	338.60	5.70	FKM	SIR-407
OR51033900	339.00	5.10	NBR	SIR-160
OR80033900-43	339.00	8.00	VMQ	SIR-308
OR85033900-10	339.00	8.50	NBR	SIR-294
OR120033900-08	339.00	12.00	NBR	SIR-231
OR50033920-64	339.20	5.00	FKM	SIR-253
OR31033930-08	339.30	3.10	NBR	SIR-550
OR57033930-R1	339.30	5.70	FSL	SIR-251
OR57033930-08	339.30	5.70	NBR	SIR-330
OR57033930-64	339.30	5.70	FKM	SIR-584
OR84033950-10	339.50	8.40	NBR	SIR-180
OR84033950-08	339.50	8.40	NBR	SIR-530
OR30033960-T5	339.60	3.00	EPDM	SIR-485
OR30033960-18	339.60	3.00	CR	SIR-522
OR53333973-64	339.73	5.33	FKM	SIR-211
OR53333973-N8	339.73	5.33	NBR	SIR-356
OR25034000-64	340.00	2.50	FKM	SIR-258
OR25034000-08	340.00	2.50	NBR	SIR-492
OR26234000-08	340.00	2.62	NBR	SIR-487
OR30034000-64	340.00	3.00	FKM	SIR-126
OR30034000-08	340.00	3.00	NBR	SIR-109
OR40034000-08	340.00	4.00	NBR	SIR-434
OR45034000-08	340.00	4.50	NBR	SIR-504
OR50034000-67	340.00	5.00	FKM	SIR-446
OR50034000-08	340.00	5.00	NBR	SIR-297
OR53334000-66	340.00	5.33	FKM	SIR-268
OR53334000-08	340.00	5.33	NBR	SIR-566
OR55034000-08	340.00	5.50	NBR	SIR-265
OR55034000-64	340.00	5.50	FKM	SIR-238
OR57034000-08	340.00	5.70	NBR	SIR-181
OR60034000-08	340.00	6.00	NBR	SIR-120
OR70034000-64	340.00	7.00	FKM	SIR-457
OR70034000-08	340.00	7.00	NBR	SIR-203
OR80034000-08	340.00	8.00	NBR	SIR-122
OR80034000-S9	340.00	8.00	VMQ	SIR-483
OR80034000-64	340.00	8.00	FKM	SIR-498
OR85034000-11	340.00	8.50	NBR	SIR-277
OR90034000-08	340.00	9.00	NBR	SIR-232
OR10034000-08	340.00	10.00	NBR	SIR-128
OR53334066-08	340.66	5.33	NBR	SIR-489
OR90034100-64	341.00	9.00	FKM	SIR-467
OR10034100-64	341.00	10.00	FKM	SIR-465
OR65034140-08	341.40	6.50	NBR	SIR-355
OR40034200-08	342.00	4.00	NBR	SIR-229

Bold sizes are readily available in stock.
 Other material are available on request.

Part No.	d	c/s	Material	Mould No.
OR45034200-08	342.00	4.50	NBR	SIR-501
OR50034200-08	342.00	5.00	NBR	SIR-198
OR69934200-64	342.00	6.99	FKM	SIR-241
OR69934200-D6	342.00	6.99	HNBR	SIR-343
OR80034200-43	342.00	8.00	VMQ	SIR-404
OR12034200-20	342.00	12.00	CR	SIR-437
OR69934220-O4	342.20	6.99	FKM	SIR-471
OR53334225-67	342.25	5.33	FKM	SIR-583
OR70034230-10	342.30	7.00	NBR	SIR-137
OR63534290-64	342.90	6.35	FKM	SIR-377
OR20034300-09 IMI	343.00	2.00	NBR	SIR-461
OR30034300-08	343.00	3.00	NBR	SIR-560
OR35334300-64	343.00	3.53	FKM	SIR-581
OR105034380-43	343.80	10.50	VMQ	SIR-296
OR36034400-08	344.00	3.60	NBR	SIR-344
OR65034400-08	344.00	6.50	NBR	SIR-273
OR80034400-64	344.00	8.00	FKM	SIR-360
OR10034400-11	344.00	10.00	NBR	SIR-505
OR35334427-64	344.27	3.53	FKM	SIR-189
OR31034430-08	344.30	3.10	NBR	SIR-551
OR57034430-08	344.30	5.70	NBR	SIR-507
OR84034450-11	344.50	8.40	NBR	SIR-390
OR30034500-08	345.00	3.00	NBR	SIR-312
OR40034500-66	345.00	4.00	FKM	SIR-227
OR50034500-08	345.00	5.00	NBR	SIR-278
OR50034500-L3	345.00	5.00	AFLAS	SIR-604
OR53034500-08	345.00	5.30	NBR	SIR-104
OR53334500-S5	345.00	5.33	FKM	SIR-201
OR60034500-08	345.00	6.00	NBR	SIR-202
OR60034500-64	345.00	6.00	FKM	SIR-307
OR69934500-D5	345.00	6.99	HNBR	SIR-367
OR69934500-08	345.00	6.99	NBR	SIR-111
OR75034500-11	345.00	7.50	NBR	SIR-625
OR80034500-08	345.00	8.00	NBR	SIR-192
OR90034500-64	345.00	9.00	FKM	SIR-517
OR106034500-64	345.00	10.60	FKM	SIR-598
OR120034500-06	345.00	12.00	NBR	SIR-384
OR40034600-66	346.00	4.00	FKM	SIR-230
OR12034600-06	346.00	12.00	NBR	SIR-426
OR70034690-08	346.90	7.00	NBR	SIR-167
OR25034700-08	347.00	2.50	NBR	SIR-352
OR28034700-08	347.00	2.80	NBR	SIR-580
OR40034700-08	347.00	4.00	NBR	SIR-570
OR160034700-11	347.00	16.00	NBR	SIS-1446
OR53331750-64	347.50	5.33	FKM	SIR-186
OR25034800-D5	348.00	2.50	HNBR	SIR-526
OR50034800-08	348.00	5.00	NBR	SIR-455
OR50034800-64	348.00	5.00	FKM	SIR-413
OR60034800-64	348.00	6.00	FKM	SIR-164
OR65034800-08	348.00	6.50	NBR	SIR-450
OR69934800-64	348.00	6.99	FKM	SIR-533
OR85034800-08	348.00	8.50	NBR	SIR-449
OR85034800-64	348.00	8.50	FKM	SIR-493
OR95034800-64	348.00	9.50	FKM	SIR-222
OR100034800-08	348.00	10.00	NBR	SIR-473
OR70034820-08	348.20	7.00	NBR	SIR-314
OR140034830-08	348.30	14.00	NBR	SIR-429
OR190034840-08	348.40	19.00	NBR	SIS-1214
OR190034840-64	348.40	19.00	FKM	SIS-1670
OR35334884-08	348.84	3.53	NBR	SIR-503
OR20034900-64	349.00	2.00	FKM	SIR-534
OR33034900-08	349.00	3.30	NBR	SIR-199
OR57034930-64	349.30	5.70	FKM	SIR-358
OR15035000-04	350.00	1.50	NBR	SIR-611
OR20035000-08	350.00	2.00	NBR	SIR-513
OR25035000-08	350.00	2.50	NBR	SIR-292
OR30035000-08	350.00	3.00	NBR	SIR-325
OR35035000-08	350.00	3.50	NBR	SIR-398
OR40035000-08	350.00	4.00	NBR	SIR-153
OR50035000-08	350.00	5.00	NBR	SIR-152
OR50035000-L3	350.00	5.00	AFLAS	SIR-601
OR53303500-08	350.00	5.33	NBR/PTFE	SIR-464
OR57035000-11	350.00	5.70	NBR	SIR-391

Part No.	d	c/s	Material	Mould No.
OR6003500-66	350.00	6.00	FKM	SIR-347
OR69935000-08	350.00	6.99	NBR	SIS-863
OR70035000-64	350.00	6.99	FKM	SIR-525
OR70035000-08	350.00	7.00	NBR	SIR-270
OR80035000-08	350.00	8.00	NBR	SIR-588
OR84035000-08	350.00	8.40	NBR	SIR-502
OR10035000-64	350.00	10.00	FKM	SIR-245
OR100035000-08	350.00	10.00	NBR	SIR-133
OR12035000	350.00	12.00	NBR	SIR-155
OR200035000-05	350.00	20.00	NBR	SIS-1351
OR250035000-08	350.00	25.00	NBR	SIS-1357
OR53335100-08	351.00	5.33	NBR	SIR-441
OR53335100-64	351.00	5.33	FKM	SIR-620
OR10035100-T5	351.00	10.00	EPDM	SIR-585
OR68631541-64	351.41	6.86	FKM	SIR-456
OR40035200-64	352.00	4.00	FKM	SIR-303
OR50035200-08	352.00	5.00	NBR	SIR-329
OR50035200-BF	352.00	5.00	VMQ	SIR-626
OR65035200-08	352.00	6.50	NBR	SIR-470
OR73335200-08	352.00	7.33	NBR	SIR-288
OR80035200-08	352.00	8.00	NBR	SIR-131
OR12003500-10	352.00	12.00	NBR	SIS-1091
OR127035242-08	352.42	12.70	NBR	SIS-1208
OR63535243-08	352.43	6.35	NBR	SIR-451
OR40035300-43	353.00	4.00	VMQ	SIR-392
OR86035380-08	353.80	8.60	NBR	SIR-254
OR30035400-67	354.00	3.00	FKM	SIR-101
OR40035400-08	354.00	4.00	NBR	SIR-304
OR60035400	354.00	6.00	NBR	SIR-130
OR70035400-CM	354.00	7.00	FKM	SIR-521
OR80035400-08	354.00	8.00	NBR	SIR-436
OR10235400-38	354.00	10.20	VMQ	SIR-481
OR57035430-11	354.30	5.70	NBR	SIR-184
OR84035450-10	354.50	8.40	NBR	SIR-233
OR84035450-08	354.50	8.40	NBR	SIR-628
OR13235478-87	354.78	13.20	PU	POD-154
OR69935490-08	354.90	6.99	NBR	SIR-115
OR53335497-66	354.97	5.33	FKM	SIR-169
OR53335497-08	354.97	5.33	NBR	SIR-411
OR53335497-N2	354.97	5.33	FKM	SIR-476
OR53335497-08	354.97	5.33	NBR	SIR-562
OR69935497-N8	354.97	6.99	NBR	SIR-287
OR69935497-64	354.97	6.99	FKM	SIR-346
OR69935497-O3	354.97	6.99	NBR	SIR-623
OR25035500-08	355.00	2.50	NBR	SIR-596
OR30035500-43	355.00	3.00	VMQ	SIR-486
OR34035500-64	355.00	3.40	FKM	SIR-549
OR35335500-66	355.00	3.53	FKM	SIR-509
OR40035500-08	355.00	4.00	NBR	SIR-161
OR50035500-08	355.00	5.00	NBR	SIR-154
OR50035500-64	355.00	5.00	FKM	SIR-393
OR55035500-64	355.00	5.50	FKM	SIR-479
OR60035500-66	355.00	6.00	FKM	SIR-226
OR69935500-67	355.00	6.99	FKM	SIR-394
OR75035500-64	355.00	7.50	FKM	SIR-518
OR86035500-64	355.00	8.60	FKM	SIR-572
OR127035500-41	355.00	12.70	VMQ	SIS-1198
OR127035500-06	355.00	12.70	NBR	SIS-1295
OR127035500-06	355.00	12.70	NBR	SIS-1290
OR35335519-08	355.19	3.53	NBR	SIR-166
OR35335519-66	355.19	3.53	FKM	SIR-269
OR35335519-07	355.19	3.53	NBR	SIR-282
OR47635560-64	355.60	4.76	FKM	SIR-239
OR63535560-08	355.60	6.35	NBR	SIR-454
OR87335560	355.60	8.73	NBR	SIR-174
OR190535560-08	355.60	19.05	NBR	SIS-1486
OR60035600-08	356.00	6.00	NBR	SIR-283
OR61035600-13	356.00	6.10	NBR	SIR-614
OR70035600-08	356.00	7.00	NBR	SIR-116
OR80035600-43	356.00	8.00	VMQ	SIR-309
OR87035600-08	356.00	8.70	NBR	SIR-420
OR53335606-08	356.06	5.33	NBR	SIR-480
OR54635660-64	356.60	5.46	FKM	SIR-176

Bold sizes are readily available in stock.
Other material are available on request.

Part No.	d	c/s	Material	Mould No.
OR30035700-08	357.00	3.00	NBR	SIR-372
OR40035700-08	357.00	4.00	NBR	SIR-334
OR53335700-65	357.00	5.33	FKM	SIR-591
OR70035797-08	357.97	7.00	FKM	SIR-207
OR53335800-08	358.00	5.33	NBR	SIR-442
OR60035800-08	358.00	6.00	NBR	SIR-374
OR70035800-64	358.00	7.00	FKM	SIR-427
OR79535877-08	358.77	7.95	NBR	SIR-353
OR96535878-20	358.78	9.65	CR	SIS-1418
OR30035900-08	359.00	3.00	NBR	SIR-459
OR51035900	359.00	5.10	NBR	SIR-159
OR57035930-08	359.30	5.70	NBR	SIR-301
OR57035930-08	359.30	5.70	NBR	SIR-400
OR57035930-75	359.30	5.70	AFLAS	SIR-617
OR127035940-06	359.40	12.70	NBR	SIS-1081
OR84035950-64	359.50	8.40	FKM	SIS-534
OR84035950-08	359.50	8.40	NBR	SIS-806
OR127035950-06	359.50	12.70	NBR	SIS-1275
OR12735950-62	359.50	12.70	FKM	SIS-1172
OR12735950-41	359.50	12.70	VMQ	SIS-1206
OR100035970-42	359.70	10.00	VMQ	SIS-812
OR25036000-08	360.00	2.50	NBR	SIR-259
OR26236000-08	360.00	2.62	NBR	SIR-421
OR28036000-04	360.00	2.80	FKM	SIR-538
OR30036000-68	360.00	3.00	NBR	SIR-260
OR34036000-08	360.00	3.40	NBR	SIR-363
OR35036000-08	360.00	3.50	NBR	SIR-127
OR40036000-64	360.00	4.00	FKM	SIR-447
OR40036000-08	360.00	4.00	NBR	SIR-316
OR50036000-08	360.00	5.00	NBR	SIR-311
OR50036000-64	360.00	5.00	FKM	SIR-577
OR53336000-08	360.00	5.33	NBR	SIR-219
OR54336000-13	360.00	5.43	NBR	SIR-613
OR63036000-08	360.00	6.30	NBR	SIR-341
OR65036000-07	360.00	6.50	NBR	SIR-602
OR75036000-08	360.00	7.50	NBR	SIR-348
OR80036000-64	360.00	8.00	FKM	SIS-1182
OR80036000-08	360.00	8.00	NBR	SIS-537
OR10036000-08	360.00	10.00	NBR	SIS-911
OR140036000-43	360.00	14.00	VMQ	SIS-1298
OR84036010-64	360.10	8.40	FKM	SIS-1054
OR63536036-08	360.36	6.35	NBR	SIR-563
OR35336180-32	361.80	3.53	EPDM	SIR-564
OR22036200-04	362.00	2.20	NBR	SIR-519
OR30036200-06	362.00	3.00	NBR	SIR-317
OR50036200	362.00	5.00	NBR	SIR-156
OR55036200-34	362.00	5.50	EPDM	SIR-619
OR57036200-08	362.00	5.70	NBR	SIS-876
OR60036200-10	362.00	6.00	NBR	SIR-415
OR70036200-08	362.00	7.00	NBR	SIS-502
OR100036200-08	362.00	10.00	NBR	SIS-722
OR15036200-64	362.00	15.00	FKM	SIS-1046
OR35036300-08	363.00	3.50	NBR	SIR-460
OR53336300-08	363.00	5.33	NBR	SIR-543
OR57036300-64	363.00	5.70	FKM	SIR-622
OR70036300-64	363.00	7.00	FKM	SIS-1541
OR105036340-43	363.40	10.50	VMQ	SIS-817
OR53336370-65	363.70	5.33	FKM	SIR-592
OR35036400-64	364.00	3.50	FKM	SIR-306
OR57036430-08	364.30	5.70	NBR	SIS-905
OR57036430-64	364.30	5.70	FKM	SIR-375
OR84036450-08	364.50	8.40	NBR	SIS-1407
OR85036450-08	364.50	8.50	NBR	SIS-1354
OR30036500-08	365.00	3.00	NBR	SIR-368
OR40036500-08	365.00	4.00	NBR	SIR-134
OR50036500-08	365.00	5.00	NBR	SIR-463
OR50036500-08	365.00	5.00	NBR	SIR-361
OR53036500-11	365.00	5.30	NBR	SIS-557
OR57036500-08	365.00	5.70	NBR	SIS-398
OR69936500-08	365.00	6.99	NBR	SIS-763
OR80036500-08	365.00	8.00	NBR	SIS-356
OR25036500-20	365.00	25.00	CR	SIS-1434
OR114036600-08	366.00	11.40	NBR	SIS-1611

Part No.	d	c/s	Material	Mould No.
OR12036600-08	366.00	12.00	NBR	SIS-1453
OR35036700-T9	367.00	3.50	FKM	SIR-586
OR40036700-08	367.00	4.00	NBR	SIR-264
OR40036700-04	367.00	4.00	NBR	SIR-593
OR50036700-08	367.00	5.00	NBR	SIS-750
OR50036700-66	367.00	5.00	FKM	SIS-1553
OR55036700-64	367.00	5.50	FKM	SIS-1374
OR70036700-66	367.00	7.00	FKM	SIS-665
OR70036700	367.00	7.00	NBR	SIS-165
OR69936767-63	367.67	6.99	FKM	SIS-760
OR69936767-43	367.67	6.99	VMQ	SIS-772
OR69936767-B7	367.67	6.99	FKM	SIS-1596
OR58036780-T9	367.80	5.80	FKM	SIS-1646
OR35336800-08	368.00	3.53	FKM	SIS-1083
OR40036800-08	368.00	4.00	NBR	SIS-1188
OR53436800-10	368.00	5.34	NBR	SIS-938
OR60036800-32	368.00	6.00	EPDM	SIS-811
OR65036800-42	368.00	6.50	VMQ	SIS-1061
OR70036800	368.00	7.00	NBR	SIS-101
OR80036800-43	368.00	8.00	VMQ	SIS-1563
OR35336830-64	368.30	3.53	FKM	SIS-961
OR53336830-64	368.30	5.33	FKM	SIS-566
OR63536830-08	368.30	6.35	NBR	SIS-282
OR84036830-D5	368.30	8.40	HNBR	SIS-736
OR57036930-66	369.30	5.70	FKM	SIS-831
OR57036930-11	369.30	5.70	NBR	SIS-400
OR70036940-08	369.40	7.00	NBR	SIS-1008
OR30037000-08	370.00	3.00	NBR	SIS-560
OR40037000-64	370.00	4.00	FKM	SIS-1166
OR40037000-08	370.00	4.00	NBR	SIS-1348
OR45037000-08	370.00	4.50	NBR	SIS-1607
OR50037000-08	370.00	5.00	NBR	SIS-317
OR69937000-08	370.00	6.99	NBR	SIS-739
OR70037000-08	370.00	7.00	NBR	SIS-146
OR75037000-08	370.00	7.50	NBR	SIS-1014
OR80037000-08	370.00	8.00	NBR	SIS-567
OR100037000-10	370.00	10.00	NBR	SIS-428
OR127037000-06	370.00	12.70	NBR	SIS-1386
OR127037000-41	370.00	12.70	VMQ	SIS-1388
OR200037000-02	370.00	20.00	NBR	SIS-1327
OR60037020-08	370.20	6.00	NBR	SIS-775
OR70037100-08	371.00	7.00	NBR	SIS-822
OR70037100-64	371.00	7.00	FKM	SIS-1066
OR80037100-38	371.00	8.00	VMQ	SIS-1402
OR95037150-08	371.50	9.50	NBR	SIS-137
OR3203720-64	372.00	3.20	FKM	SIS-660
OR50037200-64	372.00	5.00	FKM	SIS-861
OR50037200-08	372.00	5.00	NBR	SIS-1068
OR84037200-67	372.00	8.40	FKM	SIS-922
OR120037200-43	372.00	12.00	VMQ	SIS-1227
OR79237258-65	372.58	7.92	FKM	SIS-726
OR70037270-08	372.70	7.00	NBR	SIS-980
OR53337300-64	373.00	5.33	FKM	SIS-1145
OR70037300-64	373.00	7.00	FKM	SIS-879
OR85037300-59	373.00	8.50	PU	POD-140
OR86037300-08	373.00	8.60	NBR	SIS-780
OR35037370-10	373.70	3.50	NBR	SIS-692
OR69937400-08	374.00	6.99	NBR	SIS-1466
OR80037400-64	374.00	8.00	FKM	SIS-311
OR79237409-08	374.09	7.92	NBR	SIS-1618
OR560374400-08	374.40	5.60	NBR	SIS-1130
OR84037450-64	374.50	8.40	FKM	SIS-972
OR84037450-11	374.50	8.40	NBR	SIS-1042
OR17837500-32	375.00	1.78	EPDM	SIS-1641
OR25037500-08	375.00	2.50	NBR	SIS-1288
OR26237500-08	375.00	2.62	NBR	SIS-624
OR26537500-64	375.00	2.65	FKM	SIS-1583
OR30037500-64	375.00	3.00	FKM	SIS-668
OR30037500-08	375.00	3.00	NBR	SIS-617
OR40037500-64	375.00	4.00	FKM	SIS-1518
OR49037500-62	375.00	4.90	FKM	SIS-1253
OR50037500-08	375.00	5.00	NBR	SIS-580
OR50037500-64	375.00	5.00	FKM	SIS-682

Bold sizes are readily available in stock.
 Other material are available on request.

Part No.	d	c/s	Material	Mould No.
OR50037500-62	375.00	5.00	FKM	SIS-1448
OR52037500-62	375.00	5.20	FKM	SIS-765
OR53337500-08	375.00	5.33	NBR	SIS-630
OR53337500-64	375.00	5.33	FKM	SIS-777
OR53337500-08	375.00	5.33	NBR	SIS-805
OR55037500-64	375.00	5.50	FKM	SIS-1273
OR70037500-08	375.00	7.00	NBR	SIS-509
OR70037500-64	375.00	7.00	FKM	SIS-1282
OR80037500-64	375.00	8.00	FKM	SIS-960
OR85037500-64	375.00	8.50	FKM	SIS-1569
OR10037500-08	375.00	10.00	NBR	SIS-970
OR35037600-08	376.00	3.50	NBR	SIS-1012
OR57037600-43	376.00	5.70	VMQ	SIS-1269
OR60037600-64	376.00	6.00	FKM	SIS-680
OR60037600-08	376.00	6.00	NBR	SIS-304
OR70037600-08	376.00	7.00	NBR	SIS-978
OR25037700-66	377.00	2.50	FKM	SIS-1664
OR27037700-39	377.00	2.70	VMQ	SIS-1616
OR55037700-64	377.00	5.50	FKM	SIS-1350
OR60037700-08	377.00	6.00	NBR	SIS-862
OR120037700-06	377.00	12.00	NBR	SIS-1170
OR120037700-41	377.00	12.00	VMQ	SIS-1343
OR79037710-S8	377.10	7.90	NBR	SIS-1623
OR17837800-32	378.00	1.78	EPDM	SIS-1647
OR50037800-08	378.00	5.00	NBR	SIS-1271
OR50037800-64	378.00	5.00	FKM	SIS-1542
OR50037800-67	378.00	5.00	FKM	SIS-1526
OR55037800-08	378.00	5.50	NBR	SIS-797
OR55037800-CH	378.00	5.50	FKM	SIS-1438
OR69937800-08	378.00	6.99	NBR	SIS-222
OR69937800-64	378.00	6.99	FKM	SIS-1459
OR110037800-T5	378.00	11.00	EPDM	SIS-1651
OR120037800-32	378.00	12.00	EPDM	SIS-687
OR33037800-64	378.40	3.30	FKM	SIS-1578
OR53337850-45	378.50	5.33	VMQ	SIS-1277
OR65037850	378.50	6.50	NBR	SIS-103
OR53337900-08	379.00	5.33	NBR	SIS-1581
OR140037900-08	379.00	14.00	NBR	SIS-776
OR57037930-08	379.30	5.70	NBR	SIS-1259
OR57037930-67	379.30	5.70	FKM	SIS-1609
OR30037950-08	379.50	3.00	NBR	SIS-885
OR40038000-64	380.00	4.00	FKM	SIS-839
OR40038000-08	380.00	4.00	NBR	SIS-305
OR50038000-67	380.00	5.00	FKM	SIS-403
OR50038000-08	380.00	5.00	NBR	SIS-664
OR55038000-32	380.00	5.50	EPDM	SIS-963
OR57038000-08	380.00	5.70	NBR	SIS-887
OR60038000-08	380.00	6.00	NBR	SIS-253
OR65038000-07	380.00	6.50	NBR	SIS-828
OR75038000-10	380.00	7.50	NBR	SIS-1162
OR75038000-64	380.00	7.50	FKM	SIS-1612
OR80038000-08	380.00	8.00	NBR	SIS-496
OR84038000-08	380.00	8.40	NBR	SIS-1187
OR86038000-08	380.00	8.60	NBR	SIS-1139
OR88038000-64	380.00	8.80	FKM	SIS-608
OR90038000-08	380.00	9.00	NBR	SIS-1093
OR95038000-20	380.00	9.50	CR	SIS-758
OR95238000-43	380.00	9.52	VMQ	SIS-1411
OR1003800-08	380.00	10.00	NBR	SIS-648
OR10038000	380.00	10.00	NBR	SIS-293
OR110038000-32	380.00	11.00	EPDM	SIS-1687
OR120038000-43	380.00	12.00	VMQ	SIS-1085
OR63538007-39	380.07	6.35	VMQ	SIS-1260
OR35338009-63	380.09	3.53	FKM	SIS-754
OR70038030-39	380.30	7.00	VMQ	SIS-1004
OR70038030-08	380.30	7.00	NBR	SIS-113
OR53438036-32	380.36	5.34	EPDM	SIS-1127
OR17838037-10	380.37	1.78	NBR	SIS-728
OR53338037-N8	380.37	5.33	NBR	SIS-848
OR53338037-64	380.37	5.33	FKM	SIS-525
OR53338037-08	380.37	5.33	NBR	SIS-345
OR79038040-64	380.40	7.90	FKM	SIS-1619
OR85038050-67	380.50	8.50	FKM	SIS-402

Part No.	d	c/s	Material	Mould No.
OR35338059-08	380.59	3.53	NBR	SIS-397
OR35338059-43	380.59	3.53	VMQ	SIS-755
OR35338059-64	380.59	3.53	FKM	SIS-795
OR38038059-08	380.59	3.80	NBR	SIS-1658
OR50038060	380.60	5.00	NBR	SIS-114
OR63538100-08	381.00	6.35	NBR	SIS-1027
OR65038100-64	381.00	6.50	FKM	SIS-1682
OR80038100-43	381.00	8.00	VMQ	SIS-967
OR952040004-36	381.00	9.52	EPDM	SIS-1141
OR12038100-D5	381.00	12.00	HNBR	SIS-1599
OR35338180-32	381.80	3.53	EPDM	SIS-1560
OR68038200-S4	382.00	6.80	HNBR	SIS-1656
OR80038200-66	382.00	8.00	FKM	SIS-893
OR30038300-64	383.00	3.00	FKM	SIS-436
OR55038300-64	383.00	5.50	FKM	SIS-1024
OR30038400-08	384.00	3.00	NBR	SIS-1280
OR60038400-20	384.00	6.00	CR	SIS-741
OR67538400-11	384.00	6.75	NBR	SIS-1200
OR70038400-11	384.00	7.00	NBR	SIS-440
OR75038400-41	384.00	7.50	VMQ	SIS-1034
OR80038400-64	384.00	8.00	FKM	SIS-1237
OR80038400	384.00	8.00	NBR	SIS-117
OR12038400-20	384.00	12.00	CR	SIS-968
OR84038410-R1	384.10	8.40	FVMQ	SIS-1447
OR35338420-04	384.20	3.53	NBR	SIS-1567
OR866038430-10	384.30	8.60	NBR	SIS-896
OR26238450-D5	384.50	2.62	HNBR	SIS-1464
OR84038450-11	384.50	8.40	NBR	SIS-1196
OR84038450-43	384.50	8.40	VMQ	SIS-1591
OR17838500-10	385.00	1.78	NBR	SIS-1099
OR35538500-08	385.00	3.55	NBR	SIS-1527
OR50038500-62	385.00	5.00	FKM	SIS-574
OR50038500-18	385.00	5.00	CR	SIS-1497
OR53338500-08	385.00	5.33	NBR	SIS-1336
OR54338500-13	385.00	5.43	NBR	SIS-1672
OR60038500-64	385.00	6.00	FKM	SIS-1366
OR65038500-08	385.00	6.50	NBR	SIS-1264
OR69938500-08	385.00	6.99	NBR	SIS-804
OR75038500-08	385.00	7.50	NBR	SIS-1156
OR85038500-64	385.00	8.50	FKM	SIS-1570
OR11038500-10	385.00	11.00	NBR	SIS-1413
OR127038500-64	385.00	12.70	FKM	SIS-994
OR127038500-06	385.00	12.70	NBR	SIS-1184
OR140038500-64	385.00	14.00	FKM	SIS-1165
OR35338509-63	385.09	3.53	FKM	SIS-230
OR53038540-64	385.40	5.30	FKM	SIS-1087
OR40038600-64	386.00	4.00	FKM	SIS-1274
OR45038600-08	386.00	4.50	NBR	SIS-1265
OR60038600	386.00	6.00	FKM	SIS-149
OR10038600-64	386.00	10.00	FKM	SIS-1111
OR128038600-06	386.00	12.80	NBR	SIS-1665
OR25038700-08	387.00	2.50	NBR	SIS-1674
OR40038700-08	387.00	4.00	NBR	SIS-1125
OR60038700-28	387.00	6.00	EPDM	SIS-1181
OR70038700	387.00	7.00	NBR	SIS-111
OR80038700-08	387.00	8.00	NBR	SIS-1680
OR134638735-18	387.35	13.46	CR	SIS-1653
OR63038740-64	387.40	6.30	FKM	SIS-1667
OR40038750-08	387.50	4.00	NBR	SIS-713
OR5338760-64	387.60	5.33	FKM	SIS-701
OR53338760-N8	387.60	5.33	NBR	SIS-751
OR53338760-11	387.60	5.33	NBR	SIS-569
OR57038790-08	387.90	5.70	NBR	SIS-610
OR35038800-32	388.00	3.50	EPDM	SIS-1575
OR45038800-08	388.00	4.50	NBR	SIS-1681
OR60038800-64	388.00	6.00	FKM	SIS-643
OR65038816-64	388.16	6.50	FKM	SIS-870
OR65038816-10	388.16	6.50	NBR	SIS-904
OR15038904-11	389.04	10.50	NBR	SIS-1432
OR53038930-08	389.30	5.30	NBR	SIS-1220
OR57038930-08	389.30	5.70	NBR	SIS-917
OR45038950-32	389.50	4.50	EPDM	SIS-993
OR50038950-D5	389.50	5.00	HNBR	SIS-1416

Bold sizes are readily available in stock.
Other material are available on request.

Part No.	d	c/s	Material	Mould No.
OR84038950-08	389.50	8.40	NBR	SIS-1408
OR68638951-64	389.51	6.86	FKM	SIS-1222
OR22039000	390.00	2.20	NBR	SIS-225
OR30039000-08	390.00	3.00	NBR	SIS-796
OR35339000-08	390.00	3.53	NBR	SIS-977
OR35339000-64	390.00	3.53	FKM	SIS-118
OR40039000-08	390.00	4.00	NBR	SIS-283
OR50039000-08	390.00	5.00	NBR	SIS-234
OR52039000-67	390.00	5.20	FKM	SIS-411
OR55039000-08	390.00	5.50	NBR	SIS-1561
OR60039000-64	390.00	6.00	FKM	SIS-465
OR70003900-64	390.00	7.00	FKM	SIS-1257
OR71039000-08	390.00	7.10	NBR	SIS-889
OR80039000-08	390.00	8.00	NBR	SIS-194
OR90039000-08	390.00	9.00	NBR	SIS-956
OR100039000-04	390.00	10.00	NBR	SIS-1617
OR12039000-08	390.00	12.00	NBR	SIS-415
OR150039000-32	390.00	15.00	EPDM	SIS-1539
OR70039050-08	390.50	7.00	NBR	SIS-975
OR63539053-64	390.53	6.35	FKM	SIS-1033
OR65039060-08	390.60	6.50	NBR	SIS-1417
OR20039120-08	391.20	2.00	NBR	SIS-762
OR110039150-64	391.50	11.00	FKM	SIS-637
OR60039200-08	392.00	6.00	NBR	SIR-336
OR80039200-08	392.00	8.00	NBR	SIS-602
OR70039262-64	392.62	7.00	FKM	SIS-871
OR30039300-08	393.00	3.00	NBR	SIS-856
OR50039300	393.00	5.00	NBR	SIS-142
OR53339300-64	393.00	5.33	FKM	SIS-845
OR69939307-N4	393.07	6.99	NBR	SIS-809
OR69939307-08	393.07	6.99	NBR	SIS-202
OR125039310-08	393.10	12.50	NBR	SIS-1029
OR35339370-06	393.70	3.53	NBR	SIS-1663
OR63539370-08	393.70	6.35	NBR	SIS-467
OR69839370-64	393.70	6.98	FKM	SIS-1028
OR127039370-64	393.70	12.70	FKM	SIS-1615
OR16039390-08	393.90	1.60	NBR	SIS-1614
OR35039400-66	394.00	3.50	FKM	SIS-734
OR55039400-08	394.00	5.50	NBR	SIS-1373
OR60039440-64	394.40	6.00	FKM	SIS-1491
OR84039450-08	394.50	8.40	NBR	SIS-1409
OR30039500-08	395.00	3.00	NBR	SIS-338
OR53339500-64	395.00	5.33	FKM	SIS-844
OR57039500-10	395.00	5.70	NBR	SIS-1110
OR60039500-64	395.00	6.00	FKM	SIS-592
OR60039500-08	395.00	6.00	NBR	SIR-328
OR60039500-08	395.00	6.00	NBR	SIS-875
OR60039500-08	395.00	6.00	NBR	SIS-1590
OR85039500-64	395.00	8.50	FKM	SIS-979
OR40039600-08	396.00	4.00	NBR	SIS-150
OR120039600-43	396.00	12.00	VMQ	SIS-1666
OR53339656-08	396.56	5.33	NBR	SIS-1090
OR70039670-10	396.70	7.00	NBR	SIS-694
OR80039700-08	397.00	8.00	NBR	SIS-1107
OR10039700-08	397.00	10.00	NBR	SIS-1423
OR250039700-06	397.00	25.00	NBR	SIS-697
OR57039770-08	397.70	5.70	NBR	SIS-784
OR20039800-08	398.00	2.00	NBR	SIS-1158
OR20039800-64	398.00	2.00	FKM	SIS-1534
OR37539800-04	398.00	3.75	NBR	SIS-1258
OR55039800-04	398.00	5.50	NBR	SIS-1499
OR60039800-08	398.00	6.00	NBR	SIS-1186
OR60039800-43	398.00	6.00	VMQ	SIS-1551
OR65039800-64	398.00	6.50	FKM	SIS-942
OR65039810-10	398.10	6.50	NBR	SIS-1112
OR64039900-64	399.00	6.40	FKM	SIS-258
OR70039900-64	399.00	7.00	FKM	SIS-910
OR57039930-64	399.30	5.70	FKM	SIS-666
OR57039930-08	399.30	5.70	NBR	SIS-836
OR31039940-08	399.40	3.10	NBR	SIS-918
OR84039950-64	399.50	8.40	FKM	SIS-971
OR25040000-64	400.00	2.50	FKM	SIS-576
OR30040000-32	400.00	3.00	EPDM	SIS-1645

Part No.	d	c/s	Material	Mould No.
OR32040000-64	400.00	3.20	FKM	SIS-990
OR40040000	400.00	4.00	NBR	SIS-104
OR40040000-64	400.00	4.00	FKM	SIS-1049
OR45040000-08	400.00	4.50	NBR	SIS-866
OR50040000-11	400.00	5.00	NBR	SIS-540
OR53040000-08	400.00	5.30	NBR	SIS-1106
OR53340000-32	400.00	5.33	EPDM	SIS-551
OR54340000-P4	400.00	5.43	NBR	SIS-1629
OR55040000-08	400.00	5.50	NBR	SIS-129
OR55040000-64	400.00	5.50	FKM	SIS-1292
OR60040000-08	400.00	6.00	NBR	SIS-548
OR60039500-64	400.00	6.00	FKM	SIS-167
OR69940000-67	400.00	6.99	FKM	SIS-1053
OR70040000-08	400.00	7.00	NBR	SIS-237
OR70040000	400.00	7.00	NBR	SIS-240
OR80040000-08	400.00	8.00	NBR	SIS-1205
OR84040000-08	400.00	8.40	NBR	SIS-417
OR85040000-08	400.00	8.50	NBR	SIS-768
OR100040000-02	400.00	10.00	NBR	SIS-474
OR100040000-39	400.00	10.00	VMQ	SIS-1003
OR12040000-08	400.00	12.00	NBR	SIS-1121
OR20004000-43	400.00	20.00	VMQ	SIS-586
OR127040005-08	400.05	12.70	NBR	SIS-1535
OR50040200-08	402.00	5.00	NBR	SIS-1092
OR55040200-64	402.00	5.50	FKM	SIS-1328
OR57040200-08	402.00	5.70	NBR	SIS-1586
OR20040300-08	403.00	2.00	NBR	SIS-1368
OR30040300-67	403.00	3.00	FKM	SIS-105
OR35040300-08	403.00	3.50	NBR	SIS-1242
OR40040352-08	403.52	4.00	NBR	SIS-865
OR60040400-64	404.00	6.00	FKM	SIS-1443
OR70040400-65	404.00	7.00	FKM	SIS-852
OR75040400-08	404.00	7.50	NBR	SIS-984
OR80040400-64	404.00	8.00	FKM	SIS-633
OR100040400-08	404.00	10.00	NBR	SIS-1040
OR30040500-08	405.00	3.00	NBR	SIS-1580
OR50040500-08	405.00	5.00	NBR	SIS-1134
OR50040500-64	405.00	5.00	FKM	SIS-1309
OR80040500-08	405.00	8.00	NBR	SIS-373
OR86040500-64	405.00	8.60	FKM	SIS-1529
OR100040500-40	405.00	10.00	VMQ	SIS-1078
OR56040520-11	405.20	5.60	FKM	SIS-265
OR35340526-08	405.26	3.53	NBR	SIS-108
OR35340526-64	405.26	3.53	FKM	SIS-872
OR53340526-20	405.26	5.33	CR	SIS-1254
OR53340526-64	405.26	5.33	FKM	SIS-328
OR53340526-43	405.26	5.33	VMQ	SIS-753
OR53340526-D6	405.26	5.33	HNBR	SIS-530
OR53340526-08	405.26	5.33	NBR	SIS-1548
OR53440526-08	405.26	5.34	NBR	SIS-1334
OR69940526-O4	405.26	6.99	FKM	SIS-499
OR69940577-08	405.77	6.99	NBR	SIS-921
OR50040600-08	406.00	5.00	NBR	SIS-815
OR31740640-08	406.40	3.17	NBR	SIS-1521
OR47640640-64	406.40	4.76	FKM	SIS-703
OR63540640	406.40	6.35	NBR	SIS-214
OR22240640-08	406.40	22.22	NBR	SIS-1435
OR55040700-08	407.00	5.50	NBR	SIS-903
OR65040700-10	407.00	6.50	NBR	SIS-1268
OR70040700	407.00	7.00	NBR	SIS-127
OR10040700-65	407.00	10.00	FKM	SIS-646
OR70040750-10	407.50	7.00	NBR	SIS-696
OR60040800-08	408.00	6.00	NBR	SIS-565
OR120040800-64	408.00	12.00	FKM	SIS-1643
OR30040900-08	409.00	3.00	NBR	SIS-1359
OR69940900-08	409.00	6.99	NBR	SIS-791
OR57040930-08	409.30	5.70	NBR	SIS-953
OR30041000-67	410.00	3.00	FKM	SIS-315
OR30041000-32	410.00	3.00	EPDM	SIS-888
OR40041000-08	410.00	4.00	NBR	SIS-456
OR40041000-64	410.00	4.00	FKM	SIS-1652
OR50041000-08	410.00	5.00	NBR	SIS-130
OR53341000-08	410.00	5.33	NBR	SIS-1566

Bold sizes are readily available in stock.
 Other material are available on request.

Part No.	d	c/s	Material	Mould No.
OR60041000-S8	410.00	6.00	NBR	SIS-1272
OR60041000-43	410.00	6.00	VMQ	SIS-941
OR70041000-08	410.00	7.00	NBR	SIS-1236
OR75041000-64	410.00	7.50	FKM	SIS-1530
OR80041000-64	410.00	8.00	FKM	SIS-991
OR85041000-64	410.00	8.50	FKM	SIS-1393
OR90041000-08	410.00	9.00	NBR	SIS-159
OR10041000-08	410.00	10.00	NBR	SIS-1217
OR12041000-32	410.00	12.00	EPDM	SIS-1120
OR35041100-08	411.00	3.50	NBR	SIS-1163
OR56041180-08	411.80	5.60	NBR/FABRIC	SIS-244
OR53441200-08	412.00	5.34	NBR	SIS-1018
OR70041200-08	412.00	7.00	NBR	SIS-441
OR90041280-08	412.80	9.00	NBR	SIS-1131
OR57041360-10	413.60	5.70	NBR	SIS-1452
OR35041400-64	414.00	3.50	FKM	SIS-1467
OR70041400-08	414.00	7.00	NBR	SIS-1064
OR84041450-10	414.50	8.40	NBR	SIS-1041
OR20041500-66	415.00	2.00	FKM	SIS-1302
OR40041500-08	415.00	4.00	NBR	SIS-1439
OR50041500-T2	415.00	5.00	VMQ	SIS-1190
OR50041500-08	415.00	5.00	NBR	SIS-320
OR50041500-64	415.00	5.00	FKM	SIS-670
OR69841500-43	415.00	6.98	VMQ	SIS-1410
OR75041500-08	415.00	7.50	NBR	SIS-769
OR80041500	415.00	8.00	NBR	SIS-255
OR85041500-64	415.00	8.50	FKM	SIS-1161
OR110041500-T3	415.00	11.00	EPDM	SIS-1478
OR53341592-66	415.92	5.33	FKM	SIS-1441
OR50041600-V7	416.00	5.00	EPDM	SIS-1679
OR70041600	416.00	7.00	NBR	SIS-110
OR80041600-11	416.00	8.00	NBR	SIS-1244
OR95041600-64	416.00	9.50	FKM	SIS-1503
OR13041600-08	416.00	13.00	NBR	SIS-1238
OR20041600-08	416.00	20.00	NBR	SIS-1385
OR55041700-64	417.00	5.50	FKM	SIS-1606
OR70041700-20	417.00	7.00	CR	SIS-902
OR57041760-08	417.60	5.70	NBR	SIS-613
OR58041760-P4	417.60	5.80	NBR	SIS-1630
OR69941796-08	417.96	6.99	NBR	SIS-380
OR69941796-64	417.96	6.99	FKM	SIS-810
OR80041800-08	418.00	8.00	NBR	SIS-1221
OR18041800-08	418.00	18.00	NBR	SIS-579
OR70041900	419.00	7.00	NBR	SIS-102
OR63541910-20	419.10	6.35	CR	SIS-1598
OR10041910-06	419.10	10.00	NBR	SIS-936
OR53341930-64	419.30	5.33	FKM	SIS-841
OR57041930-08	419.30	5.70	NBR	SIS-183
OR57041930-R1	419.30	5.70	FVMQ	SIS-1538
OR57041930-64	419.30	5.70	FKM	SIS-1533
OR30041950-10	419.50	3.00	NBR	SIS-1303
OR84041900-08	419.50	8.40	NBR	SIS-702
OR15042000-08	420.00	1.50	NBR	SIS-1485
OR20042000-09	420.00	2.00	NBR	SIS-1557
OR35342000-64	420.00	3.53	FKM	SIS-1624
OR40042000-08	420.00	4.00	NBR	SIS-301
OR50042000-08	420.00	5.00	NBR	SIS-1124
OR60042000-08	420.00	6.00	NBR	SIS-549
OR80042000-40	420.00	8.00	VMQ	SIS-1299
OR100042000-04	420.00	10.00	NBR	SIS-1683
OR127042000-41	420.00	12.70	VMQ	SIS-1255
OR127042000-06	420.00	12.70	NBR	SIS-1211
OR200042000-43	420.00	20.00	VMQ	SIS-1509
OR30042100-08	421.00	3.00	NBR	SIS-923
OR126042100-64	421.00	12.60	FKM	SIS-952
OR69842176-O4	421.76	6.98	FKM	SIS-1381
OR20042200-64	422.00	2.00	FKM	SIS-1525
OR35342200-L3	422.00	3.53	AFLAS	SIS-1684
OR76042200-08	422.00	7.60	NBR	SIS-884
OR50042300	423.00	5.00	NBR	SIS-164
OR13042300-08	423.00	13.00	NBR	SIS-1675
OR32542350-11	423.50	3.25	NBR	SIS-1659
OR70042352-10	423.52	7.00	NBR	SIS-259

Part No.	d	c/s	Material	Mould No.
OR70042400-43	424.00	7.00	VMQ	SIS-1648
OR80042400-43	424.00	8.00	VMQ	SIS-969
OR80042400-32	424.00	8.00	EPDM	SIS-1650
OR35342418-11	424.18	3.53	NBR	SIS-161
OR84042450-08	424.50	8.40	NBR	SIS-538
OR40042500-08	425.00	4.00	NBR	SIS-770
OR53342500-64	425.00	5.33	FKM	SIS-1164
OR55042500-08	425.00	5.50	NBR	SIS-1232
OR60042500-64	425.00	6.00	FKM	SIS-1119
OR60042500-08	425.00	6.00	NBR	SIS-1043
OR80042500-64	425.00	8.00	FKM	SIS-355
OR80042500-08	425.00	8.00	NBR	SIS-1038
OR80042500-39	425.00	8.00	VMQ	SIS-1644
OR10042500-08	425.00	10.00	NBR	SIS-1108
OR30042550-08	425.50	3.00	NBR	SIS-109
OR60342577-08	425.77	6.03	NBR	SIS-1390
OR17842600-32	426.00	1.78	EPDM	SIS-1628
OR26242600-08	426.00	2.62	NBR	SIS-1427
OR50042600-64	426.00	5.00	FKM	SIS-930
OR65042600-08	426.00	6.50	NBR	SIS-1558
OR70042600-08	426.00	7.00	NBR	SIS-455
OR250042600-06	426.00	25.00	NBR	SIS-708
OR55042700-08	427.00	5.50	NBR	SIS-891
OR53342749-64	427.49	5.33	FKM	SIS-572
OR20042755-08	427.55	2.00	NBR	SIS-1308
OR57042790-32	427.90	5.70	EPDM	SIS-611
OR20042800-64	428.00	2.00	FKM	SIS-1686
OR50042800-08	428.00	5.00	NBR	SIS-1060
OR60042800-64	428.00	6.00	FKM	SIS-1406
OR84042800-08	428.00	8.40	NBR	SIS-864
OR35042900-08	429.00	3.50	NBR	SIS-1462
OR60042900-08	429.00	6.00	NBR	SIS-645
OR60042900	429.00	6.00	NBR	SIS-286
OR80042900-43	429.00	8.00	VMQ	SIS-132
OR57042930-11	429.30	5.70	NBR	SIS-1044
OR17843000-08	430.00	1.78	NBR	SIS-1233
OR26243000-T2	430.00	2.62	VMQ	SIS-1550
OR30043000-08	430.00	3.00	NBR	SIS-869
OR35043000-08	430.00	3.50	NBR	SIS-1218
OR40043000-08	430.00	4.00	NBR	SIS-892
OR50043000-08	430.00	5.00	NBR	SIS-153
OR54043000-28	430.00	5.40	EPDM	SIS-1636
OR55343000-45	430.00	5.53	VMQ	SIS-1276
OR57043000-45	430.00	5.70	VMQ	SIS-1286
OR60043000-64	430.00	6.00	FKM	SIS-507
OR70043000-08	430.00	7.00	NBR	SIS-148
OR75043000-64	430.00	7.50	FKM	SIS-974
OR80043000-08	430.00	8.00	NBR	SIS-742
OR90043000-64	430.00	9.00	FKM	SIS-929
OR90043000-10	430.00	9.00	NBR	SIS-790
OR57043050-08	430.50	5.70	NBR	SIS-561
OR35343066-20	430.66	3.53	CR	SIS-829
OR35343066-43	430.66	3.53	VMQ	SIS-1506
OR53343066-64	430.66	5.33	FKM	SIS-683
OR53343066-08	430.66	5.33	NBR	SIS-527
OR69943066-64	430.66	6.99	FKM	SIS-452
OR840043100-64	431.00	8.40	FKM	SIS-1178
OR33043140-64	431.40	3.30	FKM	SIS-1579
OR57043160-08	431.60	5.70	NBR	SIS-1391
OR47643180-08	431.80	4.76	NBR	SIS-996
OR47743180-64	431.80	4.77	FKM	SIS-1380
OR63543180-08	431.80	6.35	NBR	SIS-1226
OR20043200-08	432.00	2.00	NBR	SIS-1400
OR25043200-08	432.00	2.50	NBR	SIS-1399
OR50043200-08	432.00	5.00	NBR	SIS-1035
OR57043200-43	432.00	5.70	VMQ	SIS-1270
OR60043200-08	432.00	6.00	NBR	SIS-192
OR80043200-64	432.00	8.00	FKM	SIS-1023
OR95043200	432.00	9.50	FKM	SIS-367
OR10043200-08	432.00	10.00	NBR	SIS-1202
OR40043250-08	432.50	4.00	NBR	SIS-640
OR86043280-08	432.80	8.60	NBR	SIS-965
OR30043300-08	433.00	3.00	NBR	SIS-867

Bold sizes are readily available in stock.
Other material are available on request.

Part No.	d	c/s	Material	Mould No.
OR35043300-08	433.00	3.50	NBR	SIS-107
OR40043300-64	433.00	4.00	FKM	SIS-1261
OR50043300-08	433.00	5.00	NBR	SIS-898
OR25043400-30	434.00	2.50	EPDM	SIS-1252
OR35043400-08	434.00	3.50	NBR	SIS-627
OR70043400-08	434.00	7.00	NBR	SIS-799
OR53343441-D7	434.41	5.33	HNBR	SIS-1605
OR30043500-64	435.00	3.00	FKM	SIS-671
OR53343500-08	435.00	5.33	NBR	SIS-946
OR69943500	435.00	6.99	FKM	SIS-295
OR84043500-08	435.00	8.40	NBR	SIS-1517
OR100043500-08	435.00	10.00	NBR	SIS-542
OR28043550-66	435.50	2.80	FKM	SIS-1311
OR49043560	435.60	4.90		SIS-276
OR12043600-08	436.00	12.00	NBR	SIS-1456
OR57046360-10	436.60	5.70	NBR	SIS-1454
OR60043700-08	437.00	6.00	NBR	SIS-1352
OR70043700-08	437.00	7.00	NBR	SIS-669
OR69943752-10	437.52	6.99	NBR	SIS-1123
OR20043800-08	438.00	2.00	NBR	SIS-1470
OR65043800-08	438.00	6.50	NBR	SIS-1463
OR10043800-08	438.00	10.00	NBR	SIS-1565
OR53343815-08	438.15	5.33	NBR	SIS-284
OR35443821-08	438.21	3.54	NBR	SIS-868
OR68343840-43	438.40	6.83	VMQ	SIS-1296
OR60043900	439.00	6.00	NBR	SIS-205
OR60043900	439.00	6.00	NBR	SIS-203
OR57043930-08	439.30	5.70	NBR	SIS-832
OR57043930-43	439.30	5.70	VMQ	SIS-1492
OR53343932-64	439.32	5.33	FKM	SIS-927
OR20044000-64	440.00	2.00	FKM	SIS-1620
OR25044000-64	440.00	2.50	FKM	SIS-672
OR30044000-08	440.00	3.00	NBR	SIS-1133
OR30044000-64	440.00	3.00	FKM	SIS-343
OR40044000-08	440.00	4.00	NBR	SIS-857
OR40044000-64	440.00	4.00	FKM	SIS-948
OR42044000-08	440.00	4.20	NBR	SIS-883
OR50044000-64	440.00	5.00	FKM	SIS-620
OR50044000-08	440.00	5.00	NBR	SIS-920
OR50044000-18	440.00	5.00	CR	SIS-1640
OR55044000-08	440.00	5.50	NBR	SIS-932
OR60044000-43	440.00	6.00	VMQ	SIS-1307
OR70044000-08	440.00	7.00	NBR	SIS-1147
OR75044000-43	440.00	7.50	VMQ	SIS-432
OR84044000-08	440.00	8.40	NBR	SIS-1100
OR10044000-02	440.00	10.00	NBR	SIS-342
OR100044000-39	440.00	10.00	VMQ	SIS-1002
OR150044000-31	440.00	15.00	EPDM	SIS-1520
OR35044036-64	440.36	3.50	FKM	SIS-1378
OR72544050-43	440.50	7.25	VMQ	SIS-431
OR40044100-67	441.00	4.00	FKM	SIS-1421
OR80044150-08	441.50	8.00	NBR	SIS-1193
OR80044150-43	441.50	8.00	VMQ	SIS-1058
OR20044200-08	442.00	2.00	NBR	SIS-1494
OR35344200-08	442.00	3.53	NBR	SIS-1088
OR40044200-64	442.00	4.00	FKM	SIS-673
OR60044200-08	442.00	6.00	NBR	SIS-199
OR68044200-08	442.00	6.80	NBR	SIS-943
OR1144200-08	442.00	11.00	NBR	SIS-1179
OR35044290-33	442.90	3.50	EPDM	SIS-106
OR75000443-08	443.00	7.50	NBR	SIS-1313
OR69944336-43	443.36	6.99	VMQ	SIS-771
OR69944336-64	443.36	6.99	FKM	SIS-752
OR70044336-08	443.36	7.00	NBR	SIS-393
OR30044400-43	444.00	3.00	VMQ	SIS-1528
OR55044400-08	444.00	5.50	NBR	SIS-1347
OR57004440-64	444.00	5.70	FKM	SIS-1036
OR80044400-43	444.00	8.00	VMQ	SIS-468
OR57044430-10	444.30	5.70	NBR	SIS-1177
OR58044430-P4	444.30	5.80	NBR	SIS-1632
OR63544450-08	444.50	6.35	NBR	SIS-590
OR84044450-08	444.50	8.40	NBR	SIS-846
OR45044500-67	445.00	4.50	FKM	SIS-112

Part No.	d	c/s	Material	Mould No.
OR50044500-20	445.00	5.00	CR	SIS-899
OR50044500-L3	445.00	5.00	AFLAS	SIS-1639
OR53344500-10	445.00	5.33	NBR	SIS-1168
OR53344500-64	445.00	5.33	FKM	SIS-1248
OR60044500-08	445.00	6.00	NBR	SIS-147
OR65044500-64	445.00	6.50	FKM	SIS-631
OR70044500-J3	445.00	7.00	BU4/B	SIS-919
OR95044500-28	445.00	9.50	EPDM	SIS-1382
OR10045500-29	445.00	10.00	EPDM	SIS-1326
OR10244500-38	445.00	10.20	VMQ	SIS-1573
OR140044500-65	445.00	14.00	FKM	SIS-601
OR32044560-08	445.60	3.20	NBR	SIS-1079
OR30044700-20	447.00	3.00	CR	SIS-1005
OR40044700-08	447.00	4.00	NBR	SIS-599
OR35044740-66	447.40	3.50	FKM	SIS-735
OR63544770-11	447.70	6.35	NBR	SIS-1474
OR57044800-08	448.00	5.70	NBR	SIS-882
OR80044800-08	448.00	8.00	NBR	SIS-1657
OR16044800-08	448.00	16.00	NBR	SIS-1375
OR84044910-20	449.10	8.40	CR	SIS-778
OR30044950-08	449.50	3.00	NBR	SIS-712
OR57044950-43	449.50	5.70	VMQ	SIS-928
OR57044950-64	449.50	5.70	FKM	SIS-1183
OR40045000-66	450.00	4.00	FKM	SIS-605
OR50045000-08	450.00	5.00	NBR	SIS-391
OR53345000-08	450.00	5.33	NBR	SIS-785
OR55045000-08	450.00	5.50	NBR	SIS-1511
OR6004500-10	450.00	6.00	NBR	SIS-849
OR60045000-64	450.00	6.00	FKM	SIS-764
OR70045000-008	450.00	7.00	NBR	SIS-824
OR70045000-64	450.00	7.00	FKM	SIS-207
OR75045000-08	450.00	7.50	NBR	SIS-1484
OR80045000-08	450.00	8.00	NBR	SIS-319
OR100045000-64	450.00	10.00	FKM	SIS-131
OR127045000-41	450.00	12.70	VMQ	SIS-1249
OR20045100-08	451.00	2.00	NBR	SIS-826
OR10045100-32	451.00	10.00	EPDM	SIS-1000
OR20045200-64	452.00	2.00	FKM	SIS-1685
OR40045200-64	452.00	4.00	FKM	SIS-674
OR60045200-08	452.00	6.00	NBR	SIS-447
OR65045200-10	452.00	6.50	NBR	SIS-1250
OR70045200-43	452.00	7.00	VMQ	SIS-125
OR42045280-43	452.80	4.20	VMQ	SIS-1203
OR30045300-08	453.00	3.00	NBR	SIS-1051
OR47045300-08	453.00	4.70	NBR	SIS-1267
OR70045500-T5	453.00	7.00	EPDM	SIS-1677
OR53345400-08	454.00	5.33	NBR	SIS-1337
OR53345400-66	454.00	5.33	FKM	SIS-1585
OR100045400-08	454.00	10.00	NBR	SIS-1230
OR16045400-06	454.00	16.00	NBR	SIS-121
OR160045400-39	454.00	16.00	VMQ	SIS-1445
OR30045450-64	454.50	3.00	FKM	SIS-1037
OR84045450-11	454.50	8.40	NBR	SIS-1287
OR45045480-34	454.80	4.50	EPDM	SIS-1671
OR40045500-08	455.00	4.00	NBR	SIS-833
OR45045500-08	455.00	4.50	NBR	SIS-957
OR50045500-08	455.00	5.00	NBR	SIS-120
OR50045500-T2	455.00	5.00	VMQ	SIS-1610
OR55045500-08	455.00	5.50	NBR	SIS-128
OR60045500-66	455.00	6.00	FKM	SIS-639
OR60045500-08	455.00	6.00	NBR	SIS-1279
OR75045500-10	455.00	7.50	NBR	SIS-915
OR80045500-08	455.00	8.00	NBR	SIS-1229
OR110045500-08	455.00	11.00	NBR	SIS-1021
OR30045600-64	456.00	3.00	FKM	SIS-1077
OR69945600-64	456.00	6.99	FKM	SIS-329
OR69945600-08	456.00	6.99	NBR	SIS-1549
OR35345606-08	456.06	3.53	NBR	SIS-1097
OR53345606-64	456.06	5.33	FKM	SIS-310
OR53345606-66	456.06	5.33	FKM	SIS-724
OR53345606-N8	456.06	5.33	NBR	SIS-621
OR69945610-08	456.10	6.99	NBR	SIS-1495
OR50045700-64	457.00	5.00	FKM	SIS-789

Bold sizes are readily available in stock.
 Other material are available on request.

Part No.	d	c/s	Material	Mould No.
OR11046950-10	457.20	11.00	NBR	SIS-1062
OR86045800-64	458.00	8.60	FKM	SIS-1395
OR100045800-11	458.00	10.00	NBR	SIS-1089
OR65045830-H5	458.30	6.50	NBR	SIS-900
OR35345900-64	459.00	3.53	FKM	SIS-641
OR35345900-67	459.00	3.53	FKM	SIS-151
OR50045900-64	459.00	5.00	FKM	SIS-783
OR69945907-20	459.07	6.99	CR	SIS-1115
OR57045930-08	459.30	5.70	NBR	SIS-583
OR57045930-39	459.30	5.70	VMQ	SIS-1001
OR86045990-64	459.90	8.60	FKM	SIS-1597
OR88045990-64	459.90	8.80	FKM	SIS-1593
OR90045990-64	459.90	9.00	FKM	SIS-1603
OR25046000-32	460.00	2.50	EPDM	SIS-1361
OR30046000-11	460.00	3.00	NBR	SIS-1545
OR40046000-08	460.00	4.00	NBR	SIS-1126
OR50046000-08	460.00	5.00	NBR	SIS-450
OR55046000-08	460.00	5.50	NBR	SIS-798
OR60046000-64	460.00	6.00	FKM	SIS-678
OR60046000	460.00	6.00	NBR	SIS-177
OR70046000-08	460.00	7.00	NBR	SIS-1086
OR80046000-08	460.00	8.00	NBR	SIS-781
OR80046000-40	460.00	8.00	VMQ	SIS-1301
OR100046000-08	460.00	10.00	NBR	SIS-501
OR126046000-11	460.00	12.00	NBR	SIS-573
OR127046000-06	460.00	12.70	NBR	SIS-1278
OR84046100-10	461.00	8.40	NBR	SIS-749
OR72046160-08	461.60	7.20	NBR	SIS-1371
OR70046200-34	462.00	7.00	EPDM	SIS-800
OR100046200-08	462.00	10.00	NBR	SIS-886
OR50004630-08	463.00	5.00	NBR	SIS-1584
OR100046300-10	463.00	10.00	NBR	SIS-939
OR69946440-08	463.40	6.99	NBR	SIS-895
OR69946355-64	463.55	6.99	FKM	SIS-689
OR508046355-10	463.55	50.80	NBR	SIS-1502
OR57046360-T9	463.60	5.70	FKM	SIS-1304
OR20046400-64	464.00	2.00	FKM	SIS-1483
OR60046400-08	464.00	6.00	NBR	SIS-997
OR100046460-43	464.60	10.00	VMQ	SIS-1516
OR25046500-08	465.00	2.50	NBR	SIS-1673
OR26246500-08	465.00	2.62	NBR	SIS-1067
OR53346500-08	465.00	5.33	NBR	SIS-392
OR60046500-40	465.00	6.00	VMQ	SIS-1300
OR70046500-64	465.00	7.00	FKM	SIS-429
OR80046500-08	465.00	8.00	NBR	SIS-1006
OR84046500-64	465.00	8.40	FKM	SIS-838
OR84046500-20	465.00	8.40	CR	SIS-1306
OR57046650-41	466.50	5.70	VMQ	SIS-1415
OR65046716-10	467.16	6.50	NBR	SIS-746
OR50046800-32	468.00	5.00	EPDM	SIS-916
OR17846850-32	468.50	1.78	EPDM	SIS-1627
OR50046850-64	468.50	5.00	FKM	SIS-729
OR69946876-64	468.76	6.99	FKM	SIS-453
OR69946876-08	468.76	6.99	NBR	SIS-288
OR72446927-08	469.27	7.24	NBR	SIS-759
OR57046930-64	469.30	5.70	FKM	SIS-1013
OR63546920-64	469.90	6.35	FKM	SIS-853
OR25047000-32	470.00	2.50	EPDM	SIS-1363
OR35347000-11	470.00	3.53	NBR	SIS-1493
OR40047000-07	470.00	4.00	NBR	SIS-141
OR50047000-64	470.00	5.00	FKM	SIS-334
OR50047000-10	470.00	5.00	NBR	SIS-1477
OR53347000-64	470.00	5.33	FKM	SIS-1209
OR57047000-11	470.00	5.70	NBR	SIS-515
OR60047000-08	470.00	6.00	NBR	SIS-667
OR60047000-64	470.00	6.00	FKM	SIS-340
OR80047000-08	470.00	8.00	NBR	SIS-1132
OR95047000-64	470.00	9.50	FKM	SIS-1504
OR10047000-08	470.00	10.00	NBR	SIS-409
OR53347009-08	470.09	5.33	NBR	SIS-587
OR79047054	470.54	7.90	FKM	SIS-269
OR20047100-08	471.00	2.00	NBR	SIS-1383
OR40047100-64	471.00	4.00	FKM	SIS-1256

Part No.	d	c/s	Material	Mould No.
OR46047200-08	472.00	4.60	NBR	SIS-1522
OR84047200-67	472.00	8.40	FKM	SIS-1405
OR80047300-43	473.00	8.00	VMQ	SIS-139
OR95247300-43	473.00	9.52	VMQ	SIS-1540
OR69947377-O4	473.77	6.99	FKM	SIS-1330
OR35547400-64	474.00	3.55	FKM	SIS-1144
OR10047400-08	474.00	10.00	NBR	SIS-1140
OR100047400-08	474.00	10.00	NBR	SIS-958
OR160047400-06	474.00	16.00	NBR	SIS-1105
OR35347500-08	475.00	3.53	NBR	SIS-951
OR60047500-20	475.00	6.00	CR	SIS-1637
OR70047500-08	475.00	7.00	NBR	SIS-719
OR80047500-08	475.00	8.00	NBR	SIS-279
OR100047500-08	475.00	10.00	NBR	SIS-807
OR14747500-08	475.00	14.70	NBR	SIS-1635
OR50047600-08	476.00	5.00	VMQ	SIS-1204
OR47647625-08	476.25	4.76	NBR	SIS-1223
OR127047625-08	476.25	12.70	NBR	SIS-1669
OR87047660-08	476.60	8.70	NBR	SIS-818
OR53347690-64	476.90	5.33	FKM	SIS-1210
OR53347690-08	476.90	5.33	NBR	SIS-1281
OR60047800-08	478.00	6.00	NBR	SIS-416
OR70047900-08	479.00	7.00	NBR	SIS-1146
OR70047900-08	479.00	7.00	FKM	SIS-1019
OR57047930-08	479.30	5.70	NBR	SIS-182
OR84047950-10	479.50	8.40	NBR	SIS-787
OR25048000-67	480.00	2.50	FKM	SIS-1424
OR30048000-64	480.00	3.00	FKM	SIS-933
OR30048000-11	480.00	3.00	NBR	SIS-1546
OR3554800-08	480.00	3.55	NBR	SIS-1189
OR40048000-08	480.00	4.00	NBR	SIS-786
OR45048000-08	480.00	4.50	NBR	SIS-1488
OR50048000-08	480.00	5.00	NBR	SIS-500
OR55048000-08	480.00	5.50	NBR	SIS-143
OR60048000-64	480.00	6.00	FKM	SIS-1231
OR60048000-08	480.00	6.00	NBR	SIS-679
OR80048000-43	480.00	8.00	VMQ	SIS-632
OR80048000-11	480.00	8.00	NBR	SIS-257
OR100048000-08	480.00	10.00	NBR	SIS-553
OR20048000	480.00	20.00	NBR	SIS-169
OR200048000-66	480.00	20.00	FKM	SIS-607
OR35048100-10	481.00	3.50	NBR	SIS-649
OR53348141-08	481.41	5.33	NBR	SIS-352
OR53348146-64	481.46	5.33	FKM	SIS-847
OR69948146-64	481.46	6.99	FKM	SIS-1199
OR69948146-08	481.46	6.99	NBR	SIS-420
OR75048146-08	481.46	7.50	NBR	SIS-1010
OR419148171-10	481.71	41.91	NBR	SIS-1531
OR150048250-41	482.50	1.50	VMQ	SIS-1444
OR12048250-39	482.50	12.00	VMQ	SIS-1017
OR47648260-64	482.60	4.76	FKM	SIS-582
OR63548260-08	482.60	6.35	NBR	SIS-995
OR71448260-08	482.60	7.14	NBR	SIS-1149
OR25048300	483.00	2.50	NBR	SIS-300
OR47648300-20	483.00	4.76	CR	SIS-1329
OR65048300-64	483.00	6.50	FKM	SIS-1338
OR95048300-28	483.00	9.50	EPDM	SIS-1436
OR80048400-11	484.00	8.00	NBR	SIS-658
OR84048400-08	484.00	8.40	NBR	SIS-1389
OR57048410-08	484.10	5.70	NBR	SIS-1353
OR50048500-08	485.00	5.00	NBR	SIS-858
OR70048500-08	485.00	7.00	NBR	SIS-292
OR80048500-08	485.00	8.00	NBR	SIS-656
OR86048537-64	485.37	8.60	FKM	SIS-1588
OR88048537-64	485.37	8.80	FKM	SIS-1589
OR60048600-08	486.00	6.00	NBR	SIS-1056
OR79048600-11	486.00	7.90	NBR	SIS-1015
OR65048700-08	487.00	6.50	NBR	SIS-524
OR35348800-64	488.00	3.53	FKM	SIS-747
OR70048800-08	488.00	7.00	NBR	SIS-976
OR80048800-08	488.00	8.00	NBR	SIS-1045
OR45048900-08	489.00	4.50	NBR	SIS-954
OR60048900-08	489.00	6.00	NBR	SIS-788

Bold sizes are readily available in stock.
Other material are available on request.

Part No.	d	c/s	Material	Mould No.
OR400048992-43	489.92	40.00	VMQ	SIS-1312
OR30049000-64	490.00	3.00	FKM	SIS-115
OR50049000-64	490.00	5.00	FKM	SIS-1050
OR50049000-08	490.00	5.00	NBR	SIS-218
OR52049000-66	490.00	5.20	FKM	SIS-1604
OR53349000-D6	490.00	5.33	HNBR	SIS-312
OR54349000-P4	490.00	5.43	NBR	SIS-1631
OR57040900-43	490.00	5.70	VMQ	SIS-464
OR80049000-20	490.00	8.00	CR	SIS-1297
OR84049000-08	490.00	8.40	NBR	SIS-644
OR10049000-08	490.00	10.00	NBR	SIS-372
OR70049100-08	491.00	7.00	NBR	SIS-291
OR40049200-32	492.00	4.00	EPDM	SIS-514
OR60049200-08	492.00	6.00	NBR	SIS-1180
OR47549235-64	492.35	4.75	FKM	SIS-1690
OR48049240-65	492.40	4.80	FKM	SIS-1113
OR12749300-64	493.00	12.70	FKM	SIS-1173
OR12749300-P8	493.00	12.70	HNBR	SIS-1192
OR12749300-43	493.00	12.70	VMQ	SIS-1396
OR79949344-08	493.44	7.99	NBR	SIS-706
OR63549371-08	493.71	6.35	NBR	SIS-313
OR40049400-T3	494.00	4.00	EPDM	SIS-1433
OR10049400-08	494.00	10.00	NBR	SIS-1216
OR10249400-38	494.00	10.20	VMQ	SIS-1572
OR69849415-BG	494.15	6.98	FKM	SIS-1582
OR69949416-O4	494.16	6.99	FKM	SIS-1320
OR70049416-08	494.16	7.00	NBR	SIS-531
OR35349500-T9	495.00	3.53	FKM	SIS-1515
OR55049500-10	495.00	5.50	NBR	SIS-135
OR60049500-08	495.00	6.00	NBR	SIS-1102
OR63549530-08	495.30	6.35	NBR	SIS-966
OR63549530-66	495.30	6.35	FKM	SIS-1678
OR68049600-T4	496.00	6.80	HNBR	SIS-1655
OR90049600-T5	496.00	9.00	EPDM	SIS-816
OR53349733-64	497.33	5.33	FKM	SIS-497
OR699497450-11	497.45	6.99	NBR	SIS-1376
OR51049750-08	497.50	5.10	NBR	SIS-405
OR35349800-64	498.00	3.53	FKM	SIS-140
OR53449800-10	498.00	5.34	NBR	SIS-940
OR69949832	498.32	6.99	NBR	SIS-224
OR127049847-08	498.47	12.70	NBR	SIS-1160
OR63549850	498.50	6.35	NBR	SIS-212
OR57049930-08	499.30	5.70	NBR	SIS-170
OR35050000-08	500.00	3.50	NBR	SIS-716
OR40050000-08	500.00	4.00	NBR	SIS-1150
OR50050000-64	500.00	5.00	FKM	SIS-1103
OR60050000-08	500.00	6.00	NBR	SIS-302
OR69950000-64	500.00	6.99	FKM	SIS-1070
OR70050000-08	500.00	7.00	NBR	SIS-152
OR80050000-08	500.00	8.00	NBR	SIS-469
OR84005000-08	500.00	8.40	NBR	SIS-1369
OR11050000	500.00	11.00	NBR	SIS-298
OR190550165-67	501.65	19.05	FKM	SIS-1414
OR60050200-S8	502.00	6.00	NBR	SIS-1246
OR80050200-T5	502.00	8.00	EPDM	SIS-1335
OR90050200	502.00	9.00	NBR	SIS-116
OR65050216-10	502.16	6.50	NBR	SIS-268
OR53350280-08-A	502.80	5.33	NBR	SIS-589
OR45350408-08	504.08	4.53	NBR	SIS-738
OR60050500-08	505.00	6.00	NBR	SIS-1403
OR70050500-64	505.00	7.00	FKM	SIS-1293
OR95250642-39	506.42	9.52	VMQ	SIS-1240
OR53350681-08	506.81	5.33	NBR	SIS-346
OR53350686-65	506.86	5.33	FKM	SIS-1048
OR60050686-07	506.86	6.00	NBR	SIS-584
OR69950687-67	506.87	6.99	FKM	SIS-264
OR50050800-08	508.00	5.00	NBR	SIS-1059
OR60050800-08	508.00	6.00	NBR	SIS-1688
OR63550800-08	508.00	6.35	NBR	SIS-488
OR63550800-64	508.00	6.35	FKM	SIS-1022
OR165150800-08	508.00	16.51	NBR	SIS-1676
OR70050900-08	509.00	7.00	NBR	SIS-1069
OR175050900-08	509.00	17.50	NBR	SIS-688

Part No.	d	c/s	Material	Mould No.
OR51050940-08	509.40	5.10	NBR	SIS-406
OR95250960-39	509.60	9.52	VMQ	SIS-1239
OR30051000-10	510.00	3.00	NBR	SIS-745
OR35051000-08	510.00	3.50	NBR	SIS-424
OR40051000-64	510.00	4.00	FKM	SIS-825
OR57051000-08	510.00	5.70	NBR	SIS-184
OR70051000-43	510.00	7.00	VMQ	SIS-1547
OR18051000-06	510.00	18.00	NBR	SIS-1171
OR18051000-41	510.00	18.00	VMQ	SIS-1342
OR60051100-30	511.00	6.00	EPDM	SIS-585
OR48051140-65	511.40	4.80	FKM	SIS-1114
OR50051200-08	512.00	5.00	NBR	SIS-1316
OR80051200-08	512.00	8.00	NBR	SIS-494
OR80051200-38	512.00	8.00	VMQ	SIS-1305
OR53351214-08	512.14	5.33	NBR	SIS-588
OR95251274-39	512.74	9.52	VMQ	SIS-1241
OR30051400-66	514.00	3.00	FKM	SIS-985
OR40051400-64	514.00	4.00	FKM	SIS-675
OR35351435-67	514.35	3.53	FKM	SIS-1310
OR56051480	514.80	5.60	NBR	SIS-245
OR60051500-64	515.00	6.00	FKM	SIS-676
OR70051500-11	515.00	7.00	NBR	SIS-427
OR100051500-64	515.00	10.00	FKM	SIS-652
OR127051500-08	515.00	12.70	NBR	SIS-1055
OR50051600-08	516.00	5.00	NBR	SIS-619
OR60051600-08	516.00	6.00	NBR	SIS-1032
OR80051600-08	516.00	8.00	NBR	SIS-1496
OR252051600-41	516.00	25.20	VMQ	SIS-1654
OR65051700-17	517.00	6.50	CR	SIS-1007
OR80051700-08	517.00	8.00	NBR	SLO-138
OR40051900-08	519.00	4.00	NBR	SIS-959
OR69951955-11	519.55	6.99	NBR	SIS-1219
OR25052000-32	520.00	2.50	EPDM	SIS-1364
OR26252000-08	520.00	2.62	NBR	SIS-1426
OR40052000-08	520.00	4.00	NBR	SIS-1129
OR53352000-08	520.00	5.33	NBR	SIS-1471
OR10052000	520.00	10.00	NBR	SIS-138
OR79052054-10	520.54	7.90	NBR	SIS-1016
OR46052100-08	521.00	4.60	NBR	SIS-1523
OR69952100-64	521.00	6.99	FKM	SIS-550
OR95252197-04	521.97	9.52	NBR	SIS-1207
OR166652197-04	521.97	16.66	NBR	SIS-1213
OR20052400-08	524.00	2.00	NBR	SIS-1552
OR40052500-64	525.00	4.00	FKM	SIS-1167
OR40052500-10	525.00	4.00	NBR	SIS-721
OR50052500-08	525.00	5.00	NBR	SIS-1294
OR100052500-32	525.00	10.00	EPDM	SIS-609
OR10052500-08	525.00	10.00	NBR	SIS-414
OR45252571-08	525.71	4.52	HNBR	SIS-622
OR70052670-10	526.70	7.00	NBR	SIS-693
OR40052800-64	528.00	4.00	FKM	SIS-1063
OR100052800-08	528.00	10.00	NBR	SIS-1080
OR100052800-64	528.00	10.00	FKM	SIS-1101
OR300053000-08	530.00	3.00	NBR	SIS-695
OR50053000-64	530.00	5.00	FKM	SIS-840
OR50053000-34	530.00	5.00	EPDM	SIS-307
OR57053000-08	530.00	5.70	NBR	SIS-388
OR60053000-64	530.00	6.00	FKM	SIS-949
OR79053000-11	530.00	7.90	NBR	SIS-877
OR80053000-64	530.00	8.00	FKM	SIS-647
OR100053000-08	530.00	10.00	NBR	SIS-1247
OR100053000-08	530.00	10.00	NBR	SIS-1065
OR12053000-08	530.00	12.00	NBR	SIS-1245
OR16053000-06	530.00	16.00	NBR	SIS-1084
OR16053000-41	530.00	16.00	VMQ	SIS-1387
OR35053100-66	531.00	3.50	FKM	SIS-1428
OR47053100-08	531.00	4.70	NBR	SIS-881
OR84053160-08	531.60	8.40	NBR	SIS-1283
OR40053200-64	532.00	4.00	FKM	SIS-677
OR40053200-08	532.00	4.00	NBR	SIS-834
OR53353200-08	532.00	5.33	NBR	SIS-316
OR80053200-08	532.00	8.00	NBR	SIS-748
OR120053200-20	532.00	12.00	CR	SIS-937

Bold sizes are readily available in stock.
 Other material are available on request.

Part No.	d	c/s	Material	Mould No.
OR69953226-08	532.26	6.99	NBR	SIS-256
OR47653340-64	533.40	4.76	FKM	SIS-715
OR75053400-08	534.00	7.50	NBR	SIS-756
OR20053500-64	535.00	2.00	FKM	SIS-1559
OR55053500-64	535.00	5.50	FKM	SIS-1185
OR80053500-08	535.00	8.00	NBR	SIS-600
OR100053500-28	535.00	10.00	EPDM	SIS-1262
OR127053500-41	535.00	12.70	VMQ	SIS-1174
OR95053700-28	537.00	9.50	EPDM	SIS-720
OR95053700-16	537.00	9.50	CR	SIS-1626
OR50053800-08	538.00	5.00	NBR	SIS-448
OR70053900-08	539.00	7.00	NBR	SIS-1039
OR30054000-08	540.00	3.00	NBR	SIS-835
OR50054000-64	540.00	5.00	FKM	SIS-1104
OR57054000-43	540.00	5.70	VMQ	SIS-1449
OR60054000-08	540.00	6.00	NBR	SIS-650
OR77054000-08	540.00	7.70	NBR	SIS-880
OR80054000-08	540.00	8.00	NBR	SIS-145
OR85054000-08	540.00	8.50	NBR	SIS-1082
OR100054000-08	540.00	10.00	NBR	SIS-545
OR69954047-64	540.47	6.99	FKM	SIS-562
OR40054200-08	542.00	4.00	NBR	SIS-843
OR53354200-08	542.00	5.33	NBR	SIS-1284
OR57054200-D7	542.00	5.70	HNBR	SIS-737
OR90054200-32	542.00	9.00	EPDM	SIS-1577
OR57054400-08	544.00	5.70	NBR	SIS-1072
OR10054400-08	544.00	10.00	NBR	SIS-1215
OR30054500-08	545.00	3.00	NBR	SIS-962
OR69954500-67	545.00	6.99	FKM	SIS-1052
OR69954547-08	545.47	6.99	NBR	SIS-820
OR35354586-66	545.86	3.53	FKM	SIS-707
OR50054600-64	546.00	5.00	FKM	SIS-1030
OR80054600-08	546.00	8.00	NBR	SIS-261
OR35354610-08	546.10	3.53	NBR	SIS-1118
OR60054700-64	547.00	6.00	FKM	SIS-964
OR50054900-64	549.00	5.00	FKM	SIS-337
OR105854920-43	549.20	10.58	VMQ	SIS-454
OR57054960-11	549.60	5.70	NBR	SIS-614
OR25055000-32	550.00	2.50	EPDM	SIS-1362
OR40055000-08	550.00	4.00	NBR	SIS-999
OR50055000-18	550.00	5.00	CR	SIS-1633
OR60055000-08	550.00	6.00	NBR	SIS-327
OR70055000-08	550.00	7.00	NBR	SIS-278
OR70005500-32	550.00	7.00	EPDM	SIS-1344
OR80005550-08	550.00	8.00	NBR	SIS-1367
OR82005500-08	550.00	8.20	NBR	SIS-1379
OR100055000-65	550.00	10.00	FKM	SIS-727
OR26155054-D5	550.54	2.61	HNBR	SIS-1465
OR17855100-08	551.00	1.78	NBR	SIS-1263
OR69855119-10	551.19	6.98	NBR	SIS-1398
OR20055200-64	552.00	2.00	FKM	SIS-773
OR80055200-64	552.00	8.00	FKM	SIS-901
OR90055300-64	553.00	9.00	FKM	SIS-655
OR63555380-10	553.80	6.35	NBR	SIS-1562
OR50055400-64	554.00	5.00	FKM	SIS-782
OR100055600-08	556.00	10.00	NBR	SIS-554
OR53355760-11	557.60	5.33	NBR	SIS-1191
OR53355761-64	557.61	5.33	FKM	SIS-612
OR69955761-11	557.61	6.99	NBR	SIS-483
OR53355766-N8	557.66	5.33	NBR	SIS-472
OR69955766-43	557.66	6.99	VMQ	SIS-757
OR45355780-08	557.80	4.53	NBR	SIS-740
OR80055800-08	558.00	8.00	NBR	SIS-1071
OR66055900-H5	559.00	6.60	NR	SIS-801
OR50056000-08	560.00	5.00	NBR	SIS-223
OR55056000-64	560.00	5.50	FKM	SIS-1455
OR70056000-08	560.00	7.00	NBR	SIS-1377
OR80056000-08	560.00	8.00	NBR	SIS-1194
OR95056000	560.00	9.50	FKM	SIS-364
OR140056000-32	560.00	14.00	EPDM	SIS-1325
OR50056150-64	561.50	5.00	FKM	SIS-730
OR80056200-38	562.00	8.00	VMQ	SIS-1401
OR57056460-08	564.60	5.70	NBR	SIS-819

Part No.	d	c/s	Material	Mould No.
OR10065600-08	565.00	10.00	NBR	SIS-236
OR57056800-08	568.00	5.70	NBR	SIS-1073
OR121956896-L5	568.96	12.19	PU	POD-164
OR127056896-L5	568.96	12.70	PU	POD-161
OR132056896-L5	568.96	13.20	PU	POD-163
OR30057000-08	570.00	3.00	NBR	SIS-710
OR80057000-08	570.00	8.00	NBR	SIS-1574
OR10057000-08	570.00	10.00	NBR	SIS-651
OR69957025-O4	570.25	6.99	FKM	SIS-1333
OR84057065-08	570.65	8.40	NBR	SIS-950
OR50057100-64	571.00	5.00	FKM	SIS-331
OR70057100-08	571.00	7.00	NBR	SIS-1430
OR53357150-08	571.50	5.33	NBR	SIS-1514
OR69957300-08	573.00	6.99	NBR	SIS-659
OR48057400-08	574.00	4.80	NBR	SIS-1668
OR20057500-64	575.00	2.00	FKM	SIS-1507
OR50057500-18	575.00	5.00	CR	SIS-1691
OR53057500-64	575.00	5.30	FKM	SIS-1480
OR98057500-H6	575.00	9.80	NBR	SIS-802
OR105057600-08	576.00	10.50	NBR	SIS-1487
OR84057620-08	576.20	8.40	NBR	SIS-944
OR96557660-06	576.60	9.65	NBR	SIS-842
OR80057900-08	579.00	8.00	NBR	SIS-508
OR55058000-64	580.00	5.50	FKM	SIS-1291
OR57058000-08	580.00	5.70	NBR	SIS-686
OR57058000-64	580.00	5.70	FKM	SIS-1512
OR60058000-64	580.00	6.00	FKM	SIS-457
OR70058000-08	580.00	7.00	NBR	SIS-628
OR70058000-43	580.00	7.00	VMQ	SIS-1536
OR100058000-08	580.00	10.00	NBR	SIS-470
OR14758000-08	580.00	14.70	NBR	SIS-625
OR66058100-H6	581.00	6.60	NBR	SIS-803
OR53458260-10	582.60	5.34	NBR	SIS-1349
OR53358268-64	582.68	5.33	FKM	SIS-341
OR69958298-64	582.98	6.99	FKM	SIS-532
OR80058300-64	583.00	8.00	FKM	SIS-1412
OR63558420-08	584.20	6.35	NBR	SLO-436
OR63558420-08	584.20	6.35	NBR	SIS-1537
OR30058450-08	584.50	3.00	NBR	SIS-931
OR80058500-43	585.00	8.00	VMQ	SIS-506
OR80058500-08	585.00	8.00	NYLON	SIS-1031
OR6505850-H5	585.70	6.50	NBR	SIS-897
OR82558800	588.00	8.25	NBR	SIS-425
OR84058800-08	588.00	8.40	NBR	SIS-1138
OR50029000-43	590.00	5.00	VMQ	SIN-425
OR50059000-64	590.00	5.00	FKM	SIS-1394
OR50059000-18	590.00	5.00	CR	SIS-1498
OR53359000-64	590.00	5.33	FKM	SIS-1094
OR57059000-64	590.00	5.70	FKM	SIS-698
OR100059000-08	590.00	10.00	NBR	SIS-629
OR127059055-66	590.55	12.70	FKM	SIS-1571
OR57059060-08	590.60	5.70	NBR	SIS-821
OR60059200-64	592.00	6.00	FKM	SIS-458
OR40059500-10	595.00	4.00	NBR	SIS-1404
OR50059500-08	595.00	5.00	NBR	SIS-1225
OR60059500-64	595.00	6.00	FKM	SIS-1568
OR160059500-06	595.00	16.00	NBR	SIS-1212
OR160059500-P8	595.00	16.00	HNBR	SIS-1157
OR70059600-08	596.00	7.00	NBR	SIS-296
OR30059700-08	597.00	3.00	NBR	SIS-1419
OR84059950-A08	599.50	8.40	ACM	SIS-389
OR50060000-10	600.00	5.00	NBR	SIS-731
OR50060000	600.00	5.00	NBR	SIS-215
OR53060000-08	600.00	5.30	NBR	SIS-684
OR70060000-64	600.00	7.00	FKM	SIS-581
OR70060000-08	600.00	7.00	NBR	SIS-1440
OR50060500-64	605.00	5.00	FKM	SIS-332
OR55060700-08	607.00	5.50	NBR	SIS-709
OR95060800-64	608.00	9.50	FKM	SIS-226
OR10060800-64	608.00	10.00	FKM	SIS-681
OR53360808-11	608.08	5.33	NBR	SIS-482
OR69960808-11	608.08	6.99	NBR	SIS-484
OR69960808-64	608.08	6.99	FKM	SIS-594

Bold sizes are readily available in stock.
Other material are available on request.

Part No.	d	c/s	Material	Mould No.
OR69960808-64	608.08	6.99	FKM	SIS-395
OR80060900-38	609.00	8.00	VMQ	SIS-1392
OR127060960-10	609.60	12.70	NBR	SIS-850
OR57061000-08	610.00	5.70	NBR	SIS-704
OR60061000	610.00	6.00	NBR	SIS-187
OR70061000-43	610.00	7.00	VMQ	SIS-603
OR3061050-32	610.50	3.00	EPDM	SIS-1634
OR80061400-08	614.00	8.00	NBR	SIS-1339
OR69961500-64	615.00	6.99	FKM	SIS-615
OR30061686-32	616.86	3.00	EPDM	SIS-1613
OR35361700-64	617.00	3.53	FKM	SIS-119
OR508061912-10	619.12	50.80	NBR	SIS-1501
OR80062000-08	620.00	8.00	NBR	SIS-471
OR10062000-08	620.00	10.00	NBR	SIS-1479
OR50062100-64	621.00	5.00	FKM	SIS-336
OR16062100-04	621.00	16.00	NBR	SIS-1482
OR190562180-D5	621.80	19.05	HNBR	SIS-1009
OR23006260-64	622.60	2.30	FKM	SIS-1105
OR80062300-64	623.00	8.00	FKM	SIS-616
OR69962400-08	624.00	6.99	NBR	SIS-505
OR70062400-66	624.00	7.00	FKM	SIS-661
OR85062400	624.00	8.50	NBR	SIS-208
OR20062500-32	625.00	2.00	EPDM	SIS-1661
OR10062500-67	625.00	10.00	FKM	SIS-475
OR10062500-08	625.00	10.00	NBR	SIS-407
OR85062700-59	627.00	8.50	PU	POD-139
OR60063000	630.00	6.00	NBR	SIS-216
OR70063000-43	630.00	7.00	VMQ	SIS-445
OR120063000-61	630.00	12.00	FKM	SIS-263
OR57063300-43	633.00	5.70	VMQ	SIS-1228
OR53363348-64	633.48	5.33	FKM	SIS-491
OR69963348-62	633.48	6.99	FKM	SIS-598
OR50063400-64	634.00	5.00	FKM	SIS-339
OR30063500-08	635.00	3.00	NBR	SIS-1420
OR47663500-08	635.00	4.76	NBR	SIS-1442
OR60063500-08	635.00	6.00	NBR	SIS-925
OR63563500	635.00	6.35	NBR	SIS-126
OR84063500-S4	635.00	8.40	HNBR	SIS-1460
OR25063700-67	637.00	2.50	FKM	SIS-1425
OR10063740-42	637.40	10.00	VMQ	SIS-437
OR50063800-64	638.00	5.00	FKM	SIS-299
OR57063930-R1	639.30	5.70	FVMQ	SIS-1556
OR55064000-08	640.00	5.50	NBR	SIS-1346
OR80064400-10	644.00	8.00	NBR	SIS-154
OR84064440-64	644.40	8.40	FKM	SIS-1266
OR70064487-08	644.87	7.00	NBR	SIS-262
OR57064500-08	645.00	5.70	NBR	SIS-541
OR47564550-08	645.50	4.75	NBR	SIS-1554
OR53364600-08	646.00	5.33	NBR	SIS-890
OR69964800-64	648.00	6.99	FKM	SIS-593
OR70064900-11	649.00	7.00	NBR	SIS-1564
OR84064950-55	649.50	8.40	ACM	SIS-280
OR35365000-T9	650.00	3.53	FKM	SIS-1513
OR40065000-64	650.00	4.00	FKM	SIS-914
OR75065000-08	650.00	7.50	NBR	SIS-1201
OR80065000-08	650.00	8.00	NBR	SIS-1122
OR85065000-08	650.00	8.50	NBR	SIS-1195
OR10065000-64	650.00	10.00	FKM	SIS-657
OR10065100-08	651.00	10.00	NBR	SIS-744
OR18065100-43	651.00	18.00	VMQ	SLO-516
OR80065300-43	653.00	8.00	VMQ	SIS-1662
OR57065430-08	654.30	5.70	NBR	SIS-1621
OR53365460-10	654.60	5.33	NBR	SIS-814
OR40065600-T3	656.00	4.00	EPDM	SIS-1429
OR80065600-43	656.00	8.00	VMQ	SIS-873
OR53365088-66	658.88	5.33	FKM	SIS-725
OR69965888-64	658.88	6.99	FKM	SIS-229
OR50066000-08	660.00	5.00	NBR	SIS-536
OR84066000-08	660.00	8.40	NBR	SIS-926
OR127066000-41	660.00	12.70	VMQ	SIS-1243
OR127066000-06	660.00	12.70	NBR	SIS-123
OR80066070-M4	660.70	8.00	PU	SIS-419
OR84066440-64	664.40	8.40	FKM	SIS-1175

Part No.	d	c/s	Material	Mould No.
OR160066500-06	665.00	16.00	NBR	SIS-1224
OR20066000-64	666.00	2.00	FKM	SIS-1461
OR70066600-11	666.00	7.00	NBR	SIS-539
OR70066630-08	666.30	7.00	NBR	SIS-595
OR53366800-08	668.00	5.33	NBR	SIS-1594
OR80067000-43	670.00	8.00	VMQ	SIS-1341
OR100067000-43	670.00	10.00	VMQ	SIS-638
OR18067000-08	670.00	18.00	NBR	SIS-1153
OR69967216-20	672.16	6.99	CR	SIS-1397
OR80067500-64	675.00	8.00	FKM	SIS-1642
OR12067500-08	675.00	12.00	NBR	SIS-1026
OR190567500-D5	675.00	19.05	HNBR	SIS-859
OR69967516-08	675.16	6.99	NBR	SIS-493
OR69867803-66	678.03	6.98	FKM	SIS-519
OR80067900-43	679.00	8.00	VMQ	SIS-874
OR84067950-64	679.50	8.40	FKM	SIS-281
OR35368000-64	680.00	3.53	FKM	SIS-654
OR53368000-08	680.00	5.33	NBR	SIS-1355
OR69968000-66	680.00	6.99	FKM	SIS-986
OR69968000-F1	680.00	6.99	NBR	SIS-1649
OR80068000-08	680.00	8.00	NBR	SIS-717
OR100068000-64	680.00	10.00	FKM	SIS-1128
OR84068280-64	682.80	8.40	FKM	SIS-1356
OR84068430-64	684.30	8.40	FKM	SIS-973
OR53368580-08	685.80	5.33	NBR	SIS-1370
OR63568580-06	685.80	6.35	NBR	SIS-1468
OR70068600-08	686.00	7.00	NBR	SIS-1315
OR70068670-08	686.70	7.00	NBR	SIS-297
OR60069000-08	690.00	6.00	NBR	SIS-144
OR10069000-08	690.00	10.00	NBR	SIS-711
OR70069100-08	691.00	7.00	NBR	SIS-823
OR84006920-64	692.00	8.40	FKM	SIS-1235
OR80069700-10	697.00	8.00	NBR	SIS-306
OR90069900-08	699.00	9.00	NBR	SIS-1025
OR35370000-08	700.00	3.53	NBR	SIS-1020
OR50070000-18	700.00	5.00	CR	SIS-1608
OR100070000-10	700.00	10.00	NBR	SIS-426
OR10070000-64	700.00	10.00	FKM	SIS-1437
OR14007000-32	700.00	14.00	EPDM	SIS-1323
OR220070000-D5	700.00	22.00	HNBR	SIS-435
OR69970168-M3	701.68	6.99	NBR	SIS-492
OR69970100-36	701.68	6.99	EPDM	SIS-1285
OR40070200-08	702.00	4.00	NBR	SIS-714
OR40070500-08	705.00	4.00	NBR	SIS-546
OR69970700-66	707.00	6.99	FKM	SIS-878
OR85070700-59	707.00	8.50	PU	POD-145
OR69970739-BN	707.39	6.99	FKM	SIS-1365
OR70070973-08	709.73	7.00	NBR	SIS-1431
OR53371000-N8	710.00	5.33	NBR	SIS-837
OR100071000-66	710.00	10.00	FKM	SIS-529
OR100071000-66	710.00	10.00	FKM	SIS-529
OR63571120-08	711.20	6.35	NBR	SIS-792
E087110801	711.20	25.40	NBR	CPU-140
OR69971200-64	712.00	6.99	FKM	SIS-1116
OR80071450-66	714.50	8.00	FKM	SIS-1450
OR75071740-08	717.40	7.50	NBR	SIS-1358
OR53371800-64	718.00	5.33	FKM	SIS-463
OR69971800-64	718.00	6.99	FKM	SIS-498
OR108271800-64	718.00	10.82	FKM	SIS-444
OR84071890-64	718.90	8.40	FKM	SIS-1176
OR50072000-08	720.00	5.00	NBR	SIS-350
OR70072000-08	720.00	7.00	NBR	SIS-1137
OR75072000-20	720.00	7.50	CR	SIS-1109
OR120072000-08	720.00	12.00	NBR	SIS-495
OR10072100	721.00	10.00	FKM	SIS-287
OR85072200-64	722.00	8.50	FKM	SIS-1159
OR70072300-11	723.00	7.00	NBR	SIS-322
OR84072450-08	724.50	8.40	ACM	SIS-383
OR60072600	726.00	6.00	NBR	SIS-188
OR70072600-66	726.00	7.00	FKM	SIS-723
OR10072600-06	726.00	10.00	NBR	SIS-934
OR60073000-64	730.00	6.00	FKM	SIS-604
OR86073000-08	730.00	8.60	NBR	SLO-434

Bold sizes are readily available in stock.
 Other material are available on request.

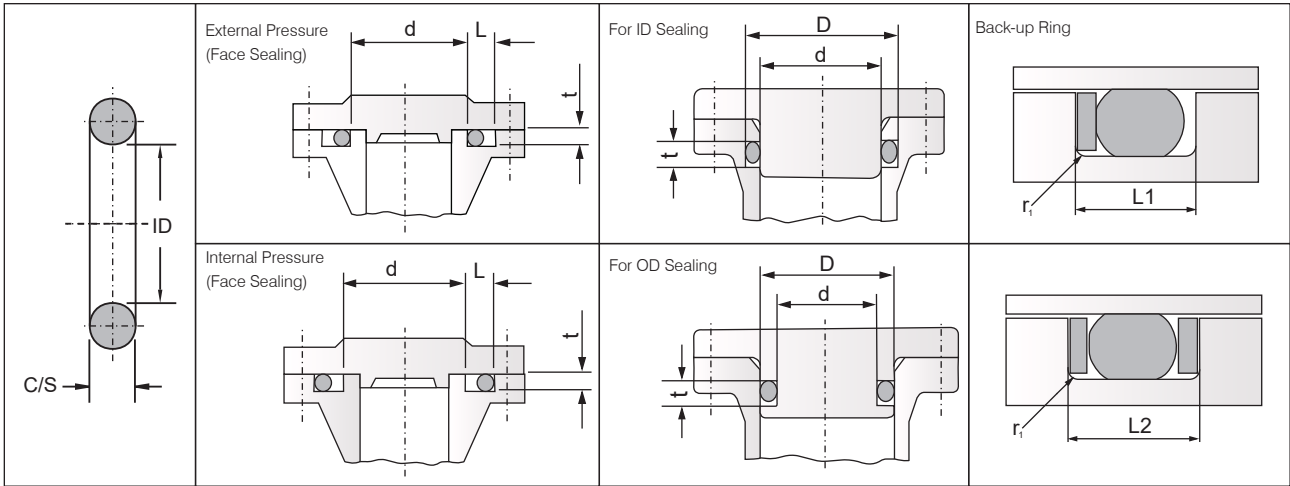
Part No.	d	c/s	Material	Mould No.
OR10073000-43	730.00	10.00	VMQ	SIS-691
OR70073100-66	731.00	7.00	FKM	SIS-700
OR75073152-04	731.52	7.50	NBR	SIS-1543
OR57073600-08	736.00	5.70	NBR	SIS-1075
OR120073650-42	736.50	12.00	VMQ	SIS-813
OR53373660-08	736.60	5.33	NBR	SIS-1601
OR84074000-32	740.00	8.40	EPDM	SIS-489
OR69974500-64	745.00	6.99	FKM	SIS-906
OR70074500-66	745.00	7.00	FKM	SIS-555
OR85074500-64	745.00	8.50	FKM	SIS-503
OR84074700-08	747.00	8.40	NBR	SIS-623
OR69974867	748.67	6.99	NBR	SIS-289
OR53374920-08	749.20	5.33	NBR	SIS-732
OR30075000-43	750.00	3.00	VMQ	SIS-1314
OR35375000	750.00	3.53	SIS-227	
OR55075000-64	750.00	5.50	FKM	SIS-1457
OR60075000-08	750.00	6.00	NBR	SIS-487
OR69975000-64	750.00	6.99	FKM	SIS-1587
OR84075000-03	750.00	8.40	NBR	SIS-705
OR53375500-66	755.00	5.33	FKM	SIS-987
OR57075800-64	758.00	5.70	FKM	SIS-1169
OR35376000-64	760.00	3.53	FKM	SIS-907
OR53376000-08	760.00	5.33	NBR	SIS-1660
OR60076100-06	761.00	6.00	NBR	SIS-486
OR84076450	764.50	8.40	NBR	SIS-271
OR53376500-10	765.00	5.33	NBR	SIS-662
OR70076600-L3	766.00	7.00	AFLAS	SIS-1473
OR40076700-10	767.00	4.00	NBR	SIS-422
OR100077000-66	770.00	10.00	FKM	SIS-522
OR190577080-D5	770.80	19.05	HNBR	SIS-851
OR100077100-66	771.00	10.00	FKM	SIS-1451
OR508077152-10	771.52	50.80	NBR	SIS-1500
OR78877162-66	771.62	7.88	FKM	SIS-618
OR88877162-66	771.62	8.88	FKM	SIS-653
OR84077260-64	772.60	8.40	FKM	SIS-1289
OR84077410-08	774.10	8.40	NBR	SIS-924
OR70077500-08	775.00	7.00	NBR	SIS-1458
OR127077500-41	775.00	12.70	VMQ	SIS-1197
OR98077600-H5	776.00	9.80	NBR	SIS-779
OR40078000-66	780.00	4.00	FKM	SIS-1234
OR55078000-08	780.00	5.50	NBR	SIS-1345
OR53378500-08	785.00	5.33	NBR	SIS-1592
OR55078500-08	785.00	5.50	NBR	SIS-634
OR63578500-07	785.00	6.35	NBR	SIS-733
OR100078500-64	785.00	10.00	FKM	SIS-577
OR69978740-11	787.40	6.99	NBR	SIS-513
OR84078740-08	787.40	8.40	NBR	SIS-133
OR139778938-11	789.38	13.97	NBR	SIS-1251
OR60079000-08	790.00	6.00	NBR	SIS-544
OR70079000-08	790.00	7.00	NBR	SIS-124
OR80079000-43	790.00	8.00	VMQ	SIS-1476
OR69979040-D5	790.40	6.99	HNBR	SIS-955
OR57079400-20	794.00	5.70	CR	SIS-1360
OR70079500-64	795.00	7.00	FKM	SIS-1510
OR53379700-T5	797.00	5.33	EPDM	SIS-1505
OR60080000-43	800.00	6.00	VMQ	SIS-1475
OR69980000-11	800.00	6.99	NBR	SIS-324
OR80080000-66	800.00	8.00	FKM	SIS-556
OR140080000-32	800.00	14.00	EPDM	SIS-1324
OR10080169-09	801.69	10.00	NBR	SIS-571
OR50080200-08	802.00	5.00	NBR	SIS-249
OR69980200-D5	802.00	6.99	HNBR	SIS-855
OR10080600-32	806.00	10.00	EPDM	SIS-998
OR69981000-66	810.00	6.99	FKM	SIS-988
OR57081040-08	810.40	5.70	NBR	SIS-568
OR84081100	811.00	8.40	NBR	SIS-273
OR63581280-23	812.80	6.35	CR	SIS-1317
OR70081500-43	815.00	7.00	VMQ	SIS-443
OR84081500	815.00	8.40	SIS-270	
OR10081820-08	818.20	10.00	NBR	SIS-371
OR127081900-P8	819.00	12.70	HNBR	SIS-1155
OR100082000-08	820.00	10.00	NBR	SIS-1576
OR10082500-08	825.00	10.00	NBR	SLO-148

Part No.	d	c/s	Material	Mould No.
OR240082500-64	825.00	24.00	FKM	SIS-685
OR98082700-H6	827.00	9.80	NBR	SIS-766
OR127083000-06	830.00	12.70	NBR	SIS-122
OR60083048-66	830.48	6.00	FKM	SIS-480
OR60083200-08	832.00	6.00	NBR	SIS-1151
OR70083300	833.00	7.00	VMQ	SIS-360
OR84083700	837.00	8.40	NBR	SIS-272
OR86084000-08	840.00	8.60	NBR	SIS-1011
OR80084200-08	842.00	8.00	NBR	SIS-377
OR69984600-O4	846.00	6.99	FKM	SIS-1331
OR533484800-08	848.00	5.33	NBR	SIS-1595
OR69984980-S5	850.00	6.99	FKM	SIS-520
OR80085200-08	852.00	8.00	NBR	SIS-718
OR56085300-08	853.00	5.60	NBR	SIS-635
OR93085694-66	856.94	9.30	FKM	SIS-1384
OR70086000	860.00	7.00	NBR	SIS-200
OR10086100-R1	861.00	10.00	FVMQ	SIS-1622
OR10086150-06	861.50	10.00	NBR	SIS-935
OR53386300-64	863.00	5.33	FKM	SIS-490
OR63586360-08	863.60	6.35	NBR	SIS-1148
OR84086450-64	864.50	8.40	FKM	SIS-1372
OR57586500-08	865.00	5.75	NBR	SIS-636
OR57086800-08	868.00	5.70	NBR	SIS-1136
OR69986800-64	868.00	6.99	FKM	SIS-1117
OR10086900-08	869.00	10.00	NBR	SIS-361
OR60087257-08	872.57	6.00	NBR	SIS-743
OR100087500-10	875.00	10.00	NBR	SIS-830
OR84087910-08	879.10	8.40	NBR	SIS-1638
OR53388000-66	880.00	5.33	FKM	SIS-989
OR100088200-67	882.00	10.00	FKM	SIS-134
OR69988500-64	885.00	6.99	FKM	SIS-606
OR69888903-66	889.03	6.98	FKM	SIS-521
OR80089000	890.00	8.00	SIS-238	
OR10089000-08	890.00	10.00	NBR	SIS-1519
OR69989500-64	895.00	6.99	FKM	SIS-1532
OR80089500-10	895.00	8.00	NBR	SIS-663
OR60089600-43	896.00	6.00	VMQ	SIS-442
OR26290000-08	900.00	2.62	NBR	SLO-340
OR95090000	900.00	9.50	FKM	SIS-362
OR15090000-28	900.00	15.00	EPDM	SIS-894
OR70090550-08	905.50	7.00	NBR	SIS-1135
OR55091000-08	910.00	5.50	NBR	SLO-172
OR69991000-64	910.00	6.99	FKM	SIS-909
OR80091000-08	910.00	8.40	NBR	SIS-412
OR84091350-08	913.50	8.40	NBR	SIS-596
OR35391500-64	915.00	3.53	FKM	SIS-908
OR70091630-08	916.30	7.00	NBR	SIS-597
OR48091700-08	917.00	4.80	NBR	SIS-446
OR60092000-08	920.00	6.00	NBR	SIS-1047
OR69992558-O4	925.58	6.99	FKM	SIS-1321
OR80092600-64	926.00	8.00	FKM	SIS-945
OR35392710-O4	927.10	3.53	FKM	SIS-1481
OR100093000-10	930.00	10.00	NBR	SIS-433
OR18093000-08	930.00	18.00	NBR	SIS-1152
OR20093000	930.00	20.00	NBR	SIS-172
OR105093200-08	932.00	10.50	NBR	SIS-1098
OR70093670-08	936.70	7.00	NBR	SIS-294
OR699093850-D5	938.50	6.99	HNBR	SIS-912
OR190593850-05	938.50	19.05	HNBR	SIS-854
OR57094000-08	940.00	5.70	NBR	SIS-385
OR10094200-64	942.00	10.00	FKM	SIS-1508
OR70094600-L3	946.00	7.00	AFLAS	SIS-1472
OR65095000-20	950.00	6.50	CR	SIS-1340
OR10095000-08	950.00	10.00	NBR	SIS-1095
OR10095000-64	950.00	10.00	FKM	SIS-1469
OR110095000-66	950.00	11.00	FKM	SIS-1602
OR200095000-08	950.00	20.00	NBR	SIS-578
OR78095500-T3	955.00	7.80	EPDM	SIS-1689
OR222095600-30	965.00	22.20	EPDM	SIS-1600
OR100097000-10	970.00	10.00	NBR	SIS-642
OR53397300-10	973.00	5.33	NBR	SIS-827
OR57097300-10	973.00	5.70	NBR	SIS-947
OR127098425-D5	984.25	12.70	HNBR	SLO-439

Bold sizes are readily available in stock.
Other material are available on request.

Part No.	d	c/s	Material	Mould No.
OR60099600-10	996.00	6.00	NBR	SIS-449
OR700100000-64	1000.00	7.00	FKM	SIS-1142
OR860100000-64	1000.00	8.60	FKM	SIS-699
OR105100000-08	1000.00	10.50	NBR	SLO-437
OR5700101200-08	1012.00	5.70	NBR	SIS-1074
OR60001030-08	1030.00	6.00	NBR	SIS-516
OR95001032-64	1032.00	9.50	FKM	SLO-155
OR60001036-06	1036.00	6.00	NBR	SIS-485
OR1550104000-64	1040.00	15.50	FKM	SLO-618
OR20501050-06	1050.00	20.50	NBR	SLO-547
OR980105300-H5	1053.00	9.80	FKM	SIS-992
OR699106000-O4	1060.00	6.99	FKM	SIS-1332
OR700107500-64	1075.00	7.00	FKM	SIS-1143
OR699010760-D5	1076.00	6.99	HNBR	SIS-913
OR1082108100-64	1081.00	10.82	FKM	SIS-982
OR1075108100-64	1081.00	10.82	FKM	SLO-392
OR127108100-43	1081.00	12.70	VMQ	SIS-1057
OR952109093-08	1090.93	9.52	NBR	SLO-191
OR1400113000-66	1130.00	14.00	FKM	SIS-460
OR699114097-O4	1140.97	6.99	FKM	SIS-1322
OR100114500-08	1145.00	10.00	NBR	SIS-1422
OR100114500-64	1145.00	10.00	FKM	SIS-1490
OR980114600-H5	1146.00	9.80	NBR	SIS-767
OR5700114900-08	1149.00	5.70	NBR	SIS-1076
OR953115940-O4	1159.40	9.53	FKM	SIS-1318
OR800116600-64	1166.00	8.00	FKM	SIS-510
OR1270116800-H6	1168.00	12.70	NBR	SIS-808

Part No.	d	c/s	Material	Mould No.
OR160117200-41	1175.00	16.00	VMQ	SLO-212
OR1082118191-BG	1181.91	10.82	FKM	SIS-1489
OR635119380-08	1193.80	6.35	NBR	SIS-793
OR127121285-08	1212.85	12.70	NBR	SIS-559
OR127122403-08	1224.03	12.70	NBR	SIS-591
OR635124460-08	1244.60	6.35	NBR	SIS-794
OR1082126100-64	1261.00	10.82	FKM	SIS-983
OR720126700-08	1267.00	7.20	NBR	SLO-473
OR1270127000-08	1270.00	12.70	NBR	SIS-543
OR1600128200-R1	1282.00	16.00	FVMQ	SIS-1625
OR1270131100-H6	1311.00	12.70	NBR	SIS-860
OR1020133000-64	1330.00	10.20	FKM	SLO-756
OR953136200-O4	1362.00	9.53	FKM	SIS-1319
OR2150136200-11	1362.00	21.50	NBR	SLO-623
OR2250136200-11	1362.00	22.50	NBR	SLO-622
OR5450136350-06	1363.50	54.50	NBR	SIS-981
OR3000139000-08	1390.00	30.00	NBR	SLO-255
OR1000145750-43	1457.50	10.00	VMQ	SIS-481
OR1250158500-64	1585.00	12.50	FKM	SLO-600
OR2400185600-62	1856.00	24.00	FKM	SLO-327
OR350019300-08	1930.00	35.00	NBR	SLO-304
OR4000193000-08	1930.00	40.00	NBR	SLO-293
OR1200194200-64	1942.00	12.00	FKM	SIS-626
OR50021780-64	2178.00	5.00	FKM	SLO-282
OR1100231500-T9	2315.00	11.00	FKM	SLO-633
OR3000258500-08	2585.00	30.00	NBR	SLO-305
OR3200713300-08	7133.00	32.00	NBR	SLO-498



O-Ring Part No.	C/S	ID		d		D		L	L1	L2	t	r ₁ max
		Size	Tol.	Size	Tol.	Size	Tol.					
P 3		2.8	± 0.14	3		6						
P 4		3.8	± 0.14	4		7						
P 5		4.8	± 0.15	5		8						
P 6	1.9 ± 0.08	5.8	± 0.15	6	0 - 0.05	9	+ 0.05 0	2.5	3.9	5.4	1.4	0.4
P 7		6.8	± 0.16	7		10						
P 8		7.8	± 0.16	8		11						
P 9		8.8	± 0.17	9		12						
P 10		9.8	± 0.17	10		13						
P 10A		9.8	± 0.17	10		14						
P 11		10.8	± 0.18	11		15						
P 11.2		11.0	± 0.18	11.2		15.2						
P 12		11.8	± 0.19	12		16						
P 12.5		12.3	± 0.19	12.5		16.5						
P 14	2.4 ± 0.09	13.8	± 0.19	14	0 - 0.05	18	+ 0.05 0	3.2	4.4	6.0	1.8	0.4
P 15		14.8	± 0.20	15		19						
P 16		15.8	± 0.20	16		20						
P 18		17.8	± 0.21	18		22						
P 20		19.8	± 0.22	20		24						
P 21		20.8	± 0.23	21		25						
P 22		21.8	± 0.24	22		26						
P 22A		21.7	± 0.24	22		28						
P 22.4		22.1	± 0.24	22.4		28.4						
P 24		23.7	± 0.24	24		30						
P 25		24.7	± 0.25	25		31						
P 25.5	3.5 ± 0.10	25.2	± 0.25	25.5	0 - 0.08	31.5	+ 0.08 0	4.7	6.0	7.8	2.7	0.8
P 26		25.7	± 0.26	26		32						
P 28		27.7	± 0.28	28		34						
P 29		28.7	± 0.29	29		35						
P 29.5		29.2	± 0.29	29.5		35.5						
P 30		29.7	± 0.29	30		36						

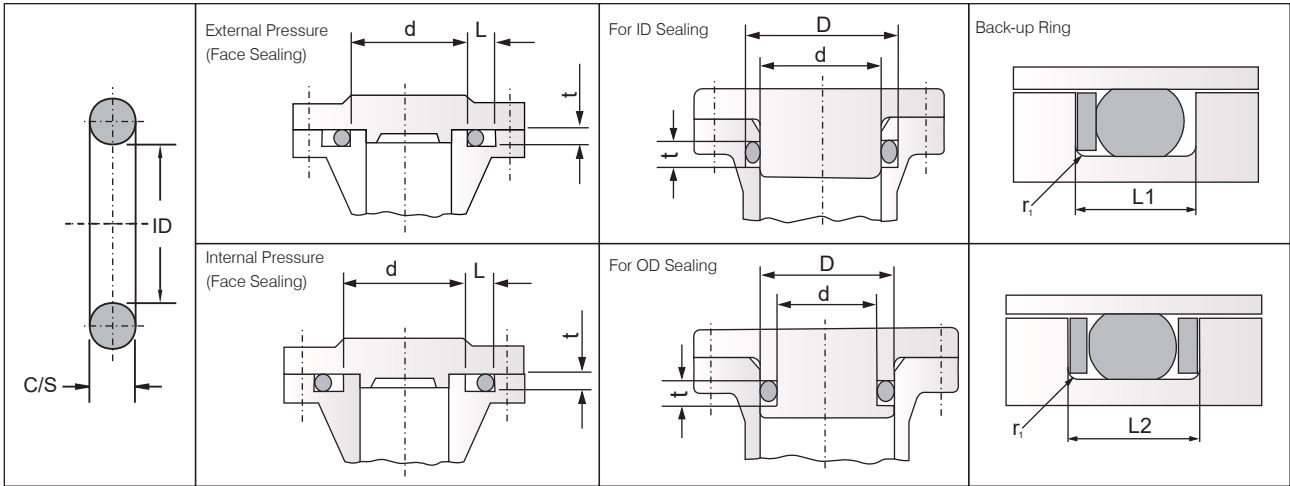
O-RING P JIS B 2401

O-Ring Part No.	C/S	ID		d		D		L	L1	L2	t	r ₁ max
		Size	Tol.	Size	Tol.	Size	Tol.					
P 31		30.7	± 0.30	31		37						
P 31.5		31.2	± 0.31	31.5		37.5						
P 32		31.7	± 0.31	32		38						
P 34		33.7	± 0.33	34		40						
P 35		34.7	± 0.34	35		41						
P 35.5		35.2	± 0.34	35.5		41.5						
P 36		35.7	± 0.34	36		42						
P 38		37.7	± 0.37	38		44						
P 39	3.5 ± 0.10	38.7	± 0.37	39	0	45	+ 0.08	4.7	6.0	7.8	2.7	0.8
P 40		39.7	± 0.37	40	- 0.08	46	0					
P 41		40.7	± 0.38	41		47						
P 42		41.7	± 0.39	42		48						
P 44		43.7	± 0.41	44		50						
P 45		44.7	± 0.41	45		51						
P 46		45.7	± 0.42	46		52						
P 48		47.7	± 0.44	48		54						
P 49		48.7	± 0.45	49		55						
P 50		49.7	± 0.45	50		56						
P 48A		47.6	± 0.44	48		58						
P 50A		49.6	± 0.45	50		60						
P 52		51.6	± 0.47	52		62						
P 53		52.6	± 0.48	53		63						
P 55		54.6	± 0.49	55		65						
P 56		55.6	± 0.50	56		66						
P 58		57.6	± 0.52	58		68						
P 60		59.6	± 0.53	60		70						
P 62		61.6	± 0.55	62		72						
P 63		62.6	± 0.56	63		73						
P 65		64.6	± 0.57	65		75						
P 67	5.7 ± 0.13	66.6	± 0.59	67	0	77	+ 0.10	7.5	9.0	11.5	4.6	0.8
P 70		69.6	± 0.61	70	- 0.10	80	0					
P 71		70.6	± 0.62	71		81						
P 75		74.6	± 0.65	75		85						
P 80		79.6	± 0.69	80		90						
P 85		84.6	± 0.73	85		95						
P 90		89.6	± 0.77	90		100						
P 95		94.6	± 0.81	95		105						
P 100		99.6	± 0.84	100		110						
P 102		101.6	± 0.85	102		112						
P 105		104.6	± 0.87	105		115						
P 110		109.6	± 0.91	110		120						
P 112		111.6	± 0.92	112		122						

O-Ring Part No.	C/S	ID		d		D		L	L1	L2	t	r ₁ max
		Size	Tol.	Size	Tol.	Size	Tol.					
P 115		114.6	± 0.94	115		125						
P 120		119.6	± 0.98	120		130						
P 125		124.6	± 1.01	125		135						
P 130	5.7 ± 0.13	129.6	± 1.05	130	0	140	+ 0.10	7.5	9.0	11.5	4.6	0.8
P 132		131.6	± 1.06	132	- 0.10	142	0					
P 135		134.6	± 1.09	135		145						
P 140		139.6	± 1.12	140		150						
P 145		144.6	± 1.16	145		155						
P 150		149.6	± 1.19	150		160						
P 150A		149.5	± 1.19	150		165						
P 155		154.5	± 1.23	155		170						
P 160		159.5	± 1.26	160		175						
P 165		164.5	± 1.30	165		180						
P 170		169.5	± 1.33	170		185						
P 175		174.5	± 1.37	175		190						
P 180		179.5	± 1.40	180		195						
P 185		184.5	± 1.44	185		200						
P 190		189.5	± 1.48	190		205						
P 195		194.5	± 1.51	195		210						
P 200		199.5	± 1.55	200		215						
P 205		204.5	± 1.58	205		220						
P 209		208.5	± 1.61	209		224						
P 210		209.5	± 1.62	210		225						
P 215		214.5	± 1.65	215		230						
P 220	8.4 ± 0.15	219.5	± 1.68	220		235		11.0	13.0	17.0	6.9	1.2
P 225		224.5	± 1.71	225		240						
P 230		229.5	± 1.75	230		245						
P 235		234.5	± 1.78	235		250						
P 240		239.5	± 1.81	240		255						
P 245		244.5	± 1.84	245		260						
P 250		249.5	± 1.88	250		265						
P 255		254.5	± 1.91	255		270						
P 260		259.5	± 1.94	260		275						
P 265		264.5	± 1.97	265		280						
P 270		269.5	± 2.01	270		285						
P 275		274.5	± 2.04	275		290						
P 280		279.5	± 2.07	280		295						
P 285		284.5	± 2.10	285		300						
P 290		289.5	± 2.14	290		305						
P 295		294.5	± 2.17	295	0	310	+ 0.10					
P 300		299.5	± 2.20	300	- 0.10	315	0					

O-RING P JIS B 2401

O-Ring Part No.	C/S	ID		d		D		L	L1	L2	t	r ₁ max
		Size	Tol.	Size	Tol.	Size	Tol.					
P 315		314.5	± 2.30	315		330						
P 320		319.5	± 2.33	320		335						
P 335		334.5	± 2.42	335		350						
P 340	8.4 ± 0.15	339.5	± 2.45	340	0	355	+ 0.10	11.0	13.0	17.0	6.9	1.2
P 355		354.5	± 2.54	355	- 0.10	370	0					
P 360		359.5	± 2.57	360		375						
P 375		374.5	± 2.67	375		390						
P 385		384.5	± 2.73	385		400						
P 400		399.5	± 2.82	400		415						



O-Ring Part No.	C/S	ID		d		D		L	L1	L2	t	r ₁ max
		Size	Tol.	Size	Tol.	Size	Tol.					
G 25		24.4	± 0.25	25		30						
G 30		29.4	± 0.29	30		35						
G 35		34.4	± 0.33	35		40						
G 40		39.4	± 0.37	40		45						
G 45		44.4	± 0.41	45		50						
G 50		49.4	± 0.45	50		55						
G 55		54.4	± 0.49	55		60						
G 60		59.4	± 0.53	60		65						
G 65		64.4	± 0.57	65		70						
G 70		69.4	± 0.61	70		75						
G 75		74.4	± 0.65	75		80						
G 80		79.4	± 0.69	80		85						
G 85	3.1 ± 0.10	84.4	± 0.73	85	0	90	+ 0.10	4.1	5.6	7.3	2.4	0.7
G 90		89.4	± 0.77	90	- 0.10	95	0					
G 95		94.4	± 0.81	95		100						
G 100		99.4	± 0.85	100		105						
G 105		104.4	± 0.87	105		110						
G 110		109.4	± 0.91	110		115						
G 115		114.4	± 0.94	115		120						
G 120		119.4	± 0.98	120		125						
G 125		124.4	± 1.01	125		130						
G 130		129.4	± 1.05	130		135						
G 135		134.4	± 1.08	135		140						
G 140		139.4	± 1.12	140		145						
G 145		144.4	± 1.16	145		150						

O-Ring Part No.	C/S	ID		d		D		L	L1	L2	t	r ₁ max
		Size	Tol.	Size	Tol.	Size	Tol.					
G 150		149.3	± 1.19	150		160						
G 155		154.3	± 1.23	155		165						
G 160		159.3	± 1.26	160		170						
G 165		164.3	± 1.30	165		175						
G 170		169.3	± 1.33	170		180						
G 175		174.3	± 1.37	175		185						
G 180		179.3	± 1.40	180		190						
G 185		184.3	± 1.44	185		195						
G 190		189.3	± 1.47	190		200						
G 195		194.3	± 1.51	195		205						
G 200	5.7 ± 0.13	199.3	± 1.55	200	0	210	+ 0.10	7.5	9.0	11.5	4.6	0.8
G 210		209.3	± 1.61	210	- 0.10	220	0					
G 220		219.3	± 1.68	220		230						
G 230		229.3	± 1.73	230		240						
G 240		239.3	± 1.81	240		250						
G 250		249.3	± 1.88	250		260						
G 260		259.3	± 1.94	260		270						
G 270		269.3	± 2.01	270		280						
G 280		279.3	± 2.07	280		290						
G 290		289.3	± 2.14	290		300						
G 300		299.3	± 2.20	300		310						

DETAILS

O-Ring cord is excellent for large diameter static and low-pressure dynamic applications, but they are not recommended for rotary movements. Because they take up less space and provide two-sided sealing compared to other sealing elements, O-ring cords make designing easier. Obtaining good results from Cord O-ring applications depends on suitable measurements, choosing correct materials, and suitable surface quality on metal parts.



COMPATIBILITY

Mineral oils, bio-oils, water-soluble & water-glycol fluids

APPLICATION

- Used in almost every industry but especially in non moving machinery and static sealing applications, e.g. as a flange or cover seals.
- For special dimensions, the O-ring cord has a clear advantage as the application can be customized to the solution in question while being a relatively low-cost solution.
- Good chemical resistance to mineral oils and greases and hydraulic oils. Not suitable for outside use because of poor resistance to ozone and UV rays.
- Medium precision seal requirement.
- Large diameter axial sealing.

FEATURES

- Can be used both for the hydraulic and pneumatic applications
- Can be used both for static and low-pressure dynamic applications.
- Used both rod and piston applications.
- Wide compound range.
- Wide range of dimensions.
- Easy installation and removal.
- Economical sealing solutions.

INSTALLATION

O-rings are fitted into the groove by hand. It is very important that the assembly tools must be of soft material and have no sharp edges. Before installation, all individual parts of the seal must be lubricated.

MATERIAL

NBR 65 to 90 Shore A
FKM 65 to 90 Shore A
Silicon 65 to 90 Shore A
PU 85 & 90 Shore A

OPERATING CONDITIONS

Temp. range : -30°C to +220°C
Pressure : 40 Bar (Depending on the joint)

TOLERANCES

The general tolerances permissible on O-ring cords are the following:

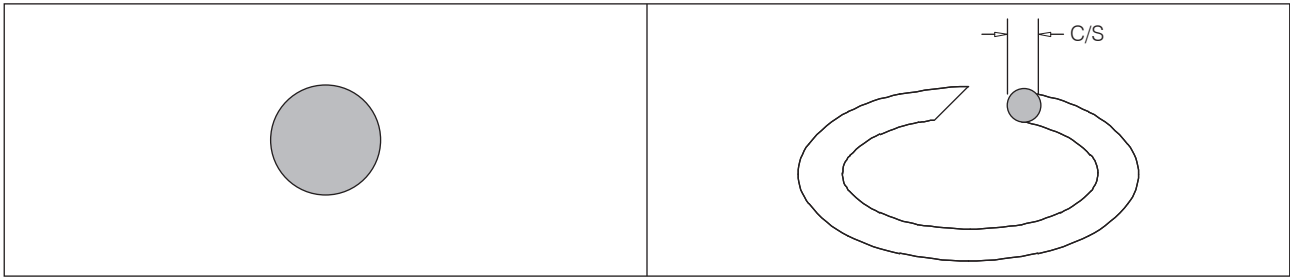
O-Ring Cord Diameter	Tolerance
1 – 5 mm	± 0.30 mm
5 – 10 mm	± 0.40 mm
10 – 15 mm	± 0.50 mm
15 – 20 mm	± 0.70 mm
20 <	± 0.50%

O-RING CORD KITS

We also supply O-ring cords in boxed sets. These boxes contain different sizes of cords each in 2-meter length.

ORC-KIT-101 for imperial sizes

ORC-KIT-102 for metric sizes



NBR CORD

Max Spare Part No.	C/S
CD0010803	1.00
CD0010802	1.50
CD0010801	1.78
CD0020806	2.00
CD0020802	2.50
CD0020813	2.62
CD0030801	3.00
CD0030803	3.53
CD0040801	4.00
CD0040802	4.50
CD0050801	5.00
CD0050805	5.33
CD0050803	5.50
CD0060801	6.00
CD0060802	6.50
CD0070801	7.00
CD0070802	7.50
CD0080801	8.00
CD0080803	8.50
CD0090801	9.00
CD0100801	10.00
CD0120801	12.00

FKM CORD

Max Spare Part No.	C/S
CD0016402	1.00
CD0016401	1.50
CD0016403	1.78
CD0026402	2.00
CD0026401	2.50
CD0026403	2.62
CD0036401	3.00
CD0036403	3.53
CD0046401	4.00
CD0046402	4.50
CD0056402	5.00
CD0056404	5.33
CD0056401	5.50
CD0066401	6.00
CD0066403	6.50
CD0076401	7.00
CD0076402	7.50
CD0086401	8.00
CD0086402	8.50
CD0076401	9.00
CD0106401	10.00
CD0126402	12.00

SILICON

Max Spare Part No.	C/S
CD0014302	1.00
CD0014301	1.50
CD0014303	1.78
CD0024301	2.00
CD0024302	2.50
CD0024303	2.62
CD0034301	3.00
CD0034304	3.53
CD0044301	4.00
CD0044302	4.50
CD0054301	5.00
CD0054303	5.33
CD0054302	5.50
CD0064301	6.00
CD0064302	6.50
CD0074301-A	7.00
CD0074302	7.50
CD0084301	8.00
CD0084302	8.50
CD0094301	9.00
CD0104302	10.00
CD0124301	12.00

PU GREEN

Max Spare Part No.	C/S
PRR2	2.00
PRR3	3.00
PRR4	4.00
PRR5	5.00
PRR6	6.00
PRR8	8.00
PRR10	10.00
PRR12	12.00
PRR15	15.00
Rough Surface Hardness 85A Colour Green	

PU ORANGE

Max Spare Part No.	C/S
PRS2	2.00
PRS3	3.00
PRS4	4.00
PRS5	5.00
PRS6	6.00
PRS8	8.00
PRS10	10.00
PRS12	12.00
Rough Surface Hardness 85A Colour Orange	



MATERIAL : NBR 70° / 75° shore 'A'
FKM 70° / 75° shore 'A'

MAX OPERATING CONDITIONS :

Temp. NBR -30° C to +100° C

Temp. FKM -30° C to +220° C

Pressure 100 BAR

Details : Ordering Information (dimensions in mm)

Imperial O-Ring Seal Kit No. : ORS.KIT.201		
Part No.	ID x C/S	Qty.
OR 178 00290	2.90 x 1.78	20
OR 178 00447	4.47 x 1.78	20
OR 178 00670	6.07 x 1.78	20
OR 178 00765	7.65 x 1.78	20
OR 178 00925	9.25 x 1.78	20
OR 178 01242	12.42 x 1.78	20
OR 262 00919	9.19 x 2.62	13
OR 262 01077	10.77 x 2.62	13
OR 262 01237	12.37 x 2.62	13
OR 262 01394	13.94 x 2.62	13
OR 262 01554	15.54 x 2.62	13
OR 262 01712	17.12 x 2.62	13
OR 262 01876	18.76 x 2.62	13
OR 262 02029	20.29 x 2.62	13
OR 262 02189	21.89 x 2.62	13
OR 353 01864	18.64 x 3.53	10
OR 353 02022	20.22 x 3.53	10
OR 353 02182	21.82 x 3.53	10
OR 353 02339	23.39 x 3.53	10
OR 353 02499	24.99 x 3.53	10
OR 353 02657	26.57 x 3.53	10
OR 353 02817	28.17 x 3.53	10
OR 353 02974	29.74 x 3.53	10
OR 353 03134	31.34 x 3.53	10
OR 353 03292	32.92 x 3.53	10
OR 353 03452	34.52 x 3.53	10
OR 353 03609	36.09 x 3.53	10
OR 353 03769	37.69 x 3.53	10
OR 353 04087	40.87 x 3.53	10
OR 353 04404	44.04 x 3.53	10
OR 353 04722	47.22 x 3.53	10
OR 353 05039	50.39 x 3.53	10
		407 Nos.

Metric O-Ring Seal Kit No. : ORS.KIT.202		
Part No.	ID x C/S	Qty.
OR 200 00300	3.00 x 2.00	20
OR 200 00500	5.00 x 2.00	20
OR 200 00600	6.00 x 2.00	18
OR 200 00800	8.00 x 2.00	18
OR 200 01000	10.00 x 2.00	18
OR 200 01300	13.00 x 2.00	18
OR 250 01000	10.00 x 2.50	14
OR 250 01200	12.00 x 2.50	14
OR 250 01400	14.00 x 2.50	14
OR 250 01500	15.00 x 2.50	14
OR 250 01600	16.00 x 2.50	14
OR 250 01800	18.00 x 2.50	14
OR 250 02000	20.00 x 2.50	14
OR 250 02100	21.00 x 2.50	14
OR 250 02200	22.00 x 2.50	14
OR 350 01800	18.00 x 3.50	10
OR 350 02000	20.00 x 3.50	10
OR 350 02200	22.00 x 3.50	10
OR 350 02300	23.00 x 3.50	10
OR 350 02500	25.00 x 3.50	10
OR 350 02700	27.00 x 3.50	10
OR 350 02800	28.00 x 3.50	10
OR 350 03000	30.00 x 3.50	10
OR 350 03100	31.00 x 3.50	10
OR 350 03200	32.00 x 3.50	10
OR 350 03400	34.00 x 3.50	10
OR 350 03600	36.00 x 3.50	10
OR 350 03800	38.00 x 3.50	10
OR 350 04100	41.00 x 3.50	10
OR 350 04400	44.00 x 3.50	10
OR 350 04600	46.00 x 3.50	10
OR 350 05000	50.00 x 3.50	10
		408 Nos.



MATERIAL : NBR 70° / 75° shore 'A'
FKM 70° / 75° shore 'A'

MAX OPERATING CONDITIONS :

Temp. NBR	-30° C to +100° C
Temp. FKM	-30° C to +220° C
Pressure	100 BAR

Details : Ordering Information (dimensions in mm)

Imperial O-Ring Seal Kit No. : ORS.KIT.203		
Part No.	ID x C/S	Qty.
OR 178 00290	2.90 x 1.78	32
OR 178 00368	3.68 x 1.78	32
OR 178 00447	4.47 x 1.78	32
OR 178 00528	5.28 x 1.78	32
OR 178 00607	6.07 x 1.78	32
OR 178 00765	7.65 x 1.78	32
OR 178 00925	9.25 x 1.78	32
OR 262 00919	9.19 x 2.62	13
OR 262 01077	10.77 x 2.62	13
OR 262 01237	12.37 x 2.62	13
OR 262 01394	13.94 x 2.62	13
OR 262 01554	15.54 x 2.62	13
OR 262 01712	17.12 x 2.62	13
OR 262 01872	18.72 x 2.62	13
OR 353 01864	18.64 x 3.53	9
OR 353 02022	20.22 x 3.53	9
OR 353 02182	21.82 x 3.53	9
OR 353 02339	23.39 x 3.53	9
OR 353 02499	24.99 x 3.53	9
OR 353 02657	26.57 x 3.53	9
OR 353 02817	28.17 x 3.53	9
OR 353 02974	29.74 x 3.53	9
OR 353 03134	31.34 x 3.53	9
OR 353 03292	32.92 x 3.53	9
OR 353 03452	34.52 x 3.53	9
OR 353 03609	36.09 x 3.53	9
OR 353 03769	37.69 x 3.53	9
OR 533 03747	37.47 x 5.33	6
OR 533 04064	40.64 x 5.33	6
OR 533 04382	43.82 x 5.33	6
OR 533 04699	46.99 x 5.33	6
OR 533 05017	50.17 x 5.33	6
OR 533 05334	53.34 x 5.33	6
OR 533 05652	56.52 x 5.33	6
OR 533 05969	59.69 x 5.33	6
OR 533 06287	62.87 x 5.33	6
OR 533 06604	66.04 x 5.33	6
		492 Nos.

Imperial O-Ring Seal Kit No. : ORS.KIT.204		
Part No.	ID x C/S	Qty.
OR 178 00290	2.90 x 1.78	20
OR 178 00368	3.68 x 1.78	20
OR 178 00447	4.47 x 1.78	20
OR 178 00528	5.28 x 1.78	20
OR 178 00607	6.07 x 1.78	20
OR 178 00765	7.65 x 1.78	20
OR 178 00925	9.25 x 1.78	20
OR 262 00919	9.19 x 2.62	13
OR 262 01077	10.77 x 2.62	13
OR 262 01237	12.37 x 2.62	13
OR 262 01394	13.94 x 2.62	13
OR 262 01554	15.54 x 2.62	13
OR 262 01712	17.12 x 2.62	13
OR 262 01876	18.76 x 2.62	13
OR 353 01864	18.64 x 3.53	10
OR 353 02022	20.22 x 3.53	10
OR 353 02182	21.82 x 3.53	10
OR 353 02339	23.39 x 3.53	10
OR 353 02499	24.99 x 3.53	10
OR 353 02657	26.57 x 3.53	10
OR 353 02817	28.17 x 3.53	10
OR 353 02974	29.74 x 3.53	10
OR 353 03134	31.34 x 3.53	10
OR 353 03292	32.92 x 3.53	10
OR 353 03452	34.52 x 3.53	10
OR 353 03609	36.09 x 3.53	10
OR 353 03769	37.69 x 3.53	10
OR 533 03747	37.47 x 5.33	7
OR 533 04064	40.64 x 5.33	7
OR 533 04382	43.82 x 5.33	7
		382 Nos.



MATERIAL : NBR 70° / 75° shore 'A'
FKM 70° / 75° shore 'A'

MAX OPERATING CONDITIONS :

Temp. NBR -30° C to +100° C

Temp. FKM -30° C to +220° C

Pressure 100 BAR

Details : Ordering Information (dimensions in mm)

Imperial O-Ring Seal Kit No. : ORS.KIT.205		
Part No.	ID x C/S	Qty.
OR 178 00257	2.57 x 1.78	15
OR 178 00290	2.90 x 1.78	15
OR 178 00368	3.68 x 1.78	15
OR 178 00447	4.47 x 1.78	15
OR 178 00528	5.28 x 1.78	15
OR 178 00607	6.07 x 1.78	15
OR 178 00765	7.65 x 1.78	15
OR 178 00925	9.25 x 1.78	15
OR 178 01082	10.82 x 1.78	15
OR 262 00919	9.19 x 2.62	10
OR 262 01077	10.77 x 2.62	10
OR 262 01237	12.37 x 2.62	10
OR 262 01394	13.94 x 2.62	10
OR 262 01554	15.54 x 2.62	10
OR 262 01712	17.12 x 2.62	10
OR 262 01872	18.72 x 2.62	10
OR 353 01864	18.64 x 3.53	10
OR 353 02022	20.22 x 3.53	10
OR 353 02182	21.82 x 3.53	10
OR 353 02339	23.39 x 3.53	10
OR 353 02499	24.99 x 3.53	10
OR 353 02657	26.57 x 3.53	10
OR 353 02817	28.17 x 3.53	5
OR 353 02974	29.74 x 3.53	5
OR 353 03134	31.34 x 3.53	5
OR 353 03292	32.92 x 3.53	5
OR 353 03452	34.52 x 3.53	5
OR 353 03609	36.09 x 3.53	5
OR 353 03769	37.69 x 3.53	5
OR 533 03747	37.47 x 5.33	5
OR 533 04064	40.64 x 5.33	5
OR 533 04382	43.82 x 5.33	5
		315 Nos.

Metric O-Ring Seal Kit No. : ORS.KIT.206		
Part No.	ID x C/S	Qty.
OR 200 00300	3.00 x 2.00	18
OR 200 00400	4.00 x 2.00	18
OR 200 00500	5.00 x 2.00	18
OR 200 00600	6.00 x 2.00	18
OR 200 00700	7.00 x 2.00	18
OR 200 00800	8.00 x 2.00	18
OR 200 01000	10.00 x 2.00	18
OR 250 01000	10.00 x 2.50	14
OR 250 01100	11.00 x 2.50	14
OR 250 01200	12.00 x 2.50	14
OR 250 01400	14.00 x 2.50	14
OR 250 01600	16.00 x 2.50	14
OR 250 01700	17.00 x 2.50	14
OR 250 01900	19.00 x 2.50	14
OR 300 01900	19.00 x 3.00	12
OR 300 02000	20.00 x 3.00	12
OR 300 02200	22.00 x 3.00	12
OR 300 02400	24.00 x 3.00	12
OR 300 02500	25.00 x 3.00	12
OR 300 02700	27.00 x 3.00	12
OR 300 02800	28.00 x 3.00	12
OR 300 03000	30.00 x 3.00	12
OR 300 03200	32.00 x 3.00	12
OR 300 03300	33.00 x 3.00	12
OR 300 03500	35.00 x 3.00	12
OR 300 03600	36.00 x 3.00	12
OR 300 03800	38.00 x 3.00	12
OR 400 03800	38.00 x 4.00	9
OR 400 04200	42.00 x 4.00	9
OR 400 04500	45.00 x 4.00	9
		407 Nos.

DETAILS

The quad-ring sealing principle is almost similar to O-Ring sealing. The initial sealing is obtained by the diametrical squeeze in right angle grooves and the pressure of the system only creates a positive seal force.

APPLICATION

Quad rings can be used for a wide range of applications e.g. reciprocating dynamic or rotary applications. Quad rings are suitable for all applications where operation under low pressure and low-temperature conditions.

Quad rings are used in a wide range of dynamic and static applications, including:

- Reciprocating rods and plungers.
- Rotating and spiral movements on shafts and spindles.
- Radial-static seal for bushings, pipes, etc.
- Axial-static seal for flanges, etc.

ADVANTAGES

- Due to its special profile, the seal does not tend to roll in the groove during reciprocating movements.
- With Quad-Rings the standard grooves are deeper in comparison with O-ring glands. So the diametrical squeeze is lower than with O-rings. This makes dynamic sealing possible with reduced friction.
- The four lips of the Quad-Ring create more sealing capacity and at the same time a groove for lubrication, which is very favourable for dynamic sealing.
- Quad-Ring has high stability for dynamic applications.
- The four-lobed design creates a more stable seal avoiding spiral twisting.
- Unlike an O-Ring, the mould line flash lies in the trough, between and away from the critical sealing lips.

METHOD OF OPERATION

Quad-Ring seals are a self-energizing double acting sealing element. The initial sealing is achieved by the diametrical squeeze in a right-angled groove. The system pressure itself creates a positive sealing force.

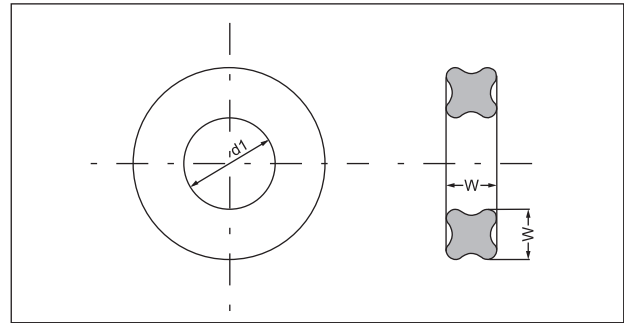


Fig. 13 : Quad Ring

MATERIAL

- NBR 65 to 90 Shore A
- FKM 65 to 90 Shore A
- Silicon 65 to 90 Shore A
- PU 70,80,85 & 90 Shore A

WORKING PRESSURE

Dynamic Application		
Working Type	Without Back-up Ring	With Back-up Ring
Reciprocating	50 Bar	300 Bar
Rotating	-	150 Bar
Static	50 Bar	400 Bar

SPEED

- Reciprocating 0.5 m/sec
- Rotating 2.0 m/s

SURFACE ROUGHNESS

- Static: 0.8 mRa
- Dynamic: 0.4 mRa

Temperature: -60°C up to +220°C

depending on the elastomer.

Quad-Ring seals are supplied under the American Standard AS 568.

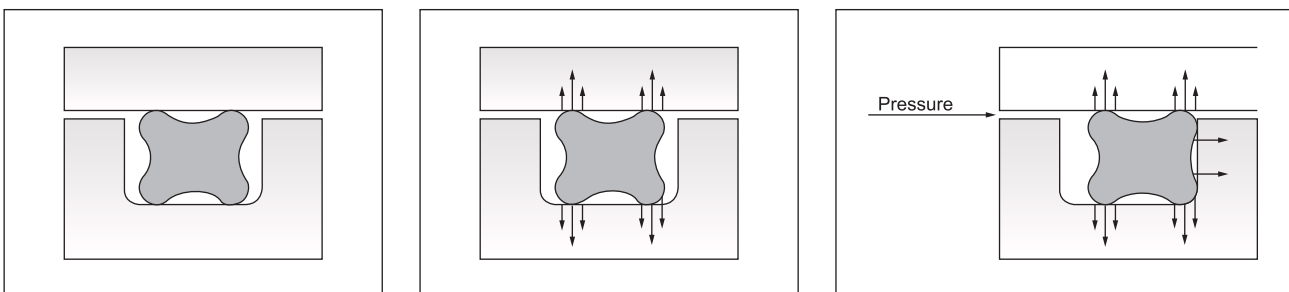


Fig. 14 : Quad ring sequence with or without pressure system.

SEAL HOUSING DIMENSIONS, TOLERANCES AND DESIGN CRITERIA FOR STANDARD APPLICATIONS

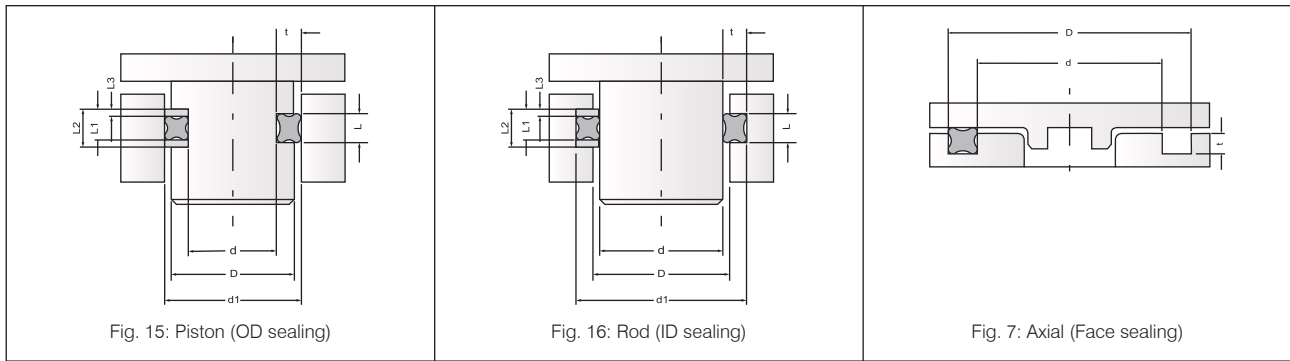


Table 8: Installation dimensions

Quad Ring Section	Groove Depth (t)			Groove Width		Backup Ring Width (L3)	Radius (r)	Extrusion Gap (E) Max.
	Dynamic	Static	No backup L (+0.20)	With 1 backup L1 (+0.25)	With 2 backups L2 (+0.25)			
1.78	1.50	1.40	2.00	3.40	4.80	1.00	0.22	0.05
2.62	2.30	2.25	3.00	4.40	5.80	1.50	0.30	0.08
3.53	3.20	3.10	4.00	5.40	6.80	1.50	0.40	0.08
5.33	4.90	4.75	6.00	7.70	9.40	2.00	0.40	0.10
7.00	6.40	6.20	8.00	10.50	13.00	2.50	0.60	0.10

LEAD-IN-CHAMFER

Quad-Rings are always fitted oversize therefore lead-in chamfers and rounded edges must be provided (Fig. 18 & 19) The length of lead-in chamfer (z) as shown in Table 9.

The permissible surface roughness of the Lead-in Chamfer is defined as $Rz < 6.3\mu m$ $Ra < 0.8\mu m$

Table 9: Lead-in-chamfers.

All dimensions in mm

O-Ring cross section (c/s)	Lead 'Z' min.
1.78	2.50
2.62	3.00
3.53	3.50
5.33	4.50
7.00	5.00



Table 10: INSIDE DIAMETER, CROSS-SECTION, AND TOLERANCES

ID (d)	Tol. ±	ID (d)	Tol. ±
0 - 5.0	± 0.13	100.1 - 120.0	± 0.94
5.1 - 10.0	± 0.17	120.1 - 150.0	± 1.25
10.1 - 20.0	± 0.23	150.1 - 180.0	± 1.38
20.1 - 30.0	± 0.28	180.1 - 230.0	± 1.75
30.1 - 40.0	± 0.33	230.1 - 280.0	± 2.02
40.1 - 50.0	± 0.38	280.1 - 325.0	± 2.30
50.1 - 60.0	± 0.46	325.1 - 400.0	± 2.76
60.1 - 70.0	± 0.51	400.1 - 475.0	± 3.22
70.1 - 80.0	± 0.61	475.1 - 530.0	± 3.54
80.1 - 90.0	± 0.69	530.1 - 600.0	± 3.93
90.1 - 100.0	± 0.76	600.1 - 670.0	± 4.34
		above 670.0	± 0.65%

Cross Section (mm) upto	1.78	2.62	3.53	5.33	6.99
Tolerance (mm)	± 0.08	± 0.08	± 0.10	± 0.13	± 0.15

Part No.	d	c/s	Material	Mould No.
QR17800290-32	2.90	1.78	EPDM	QR-1242
QR17000310-T9	3.10	1.70	FKM	QR-1423
QR17800330-08	3.30	1.78	NBR	QR-1260
QR17803680-10	3.68	1.78	NBR	QR-492
QR13000400-08	4.00	1.30	NBR	QR-907
QR17800440-08	4.40	1.78	NBR	QR-347
QR26200442-T9	4.42	2.62	FKM/FABRIC	QR-1373
QR17800447-64	4.47	1.78	FKM	QR-1494
QR17800450-64	4.50	1.78	FKM	QR-1222
QR25000450-64	4.50	2.50	FKM	QR-1477
QR17800460-08	4.60	1.78	NBR	QR-731
QR20000500-08	5.00	2.00	NBR	QR-918
QR17800533-08	5.33	1.78	NBR	QR-885
QR20000600-08	6.00	2.00	NBR	QR-1148
QR22000600-08	6.00	2.20	NBR	QR-1162
QR26200600-64	6.00	2.62	FKM	QR-648
QR26200602-08	6.02	2.62	NBR	QR-515
QR17800607-08	6.07	1.78	NBR	QR-765
QR17800607-20	6.07	1.78	CR	QR-740
QR17800607-T9	6.07	1.78	FKM	QR-1003
QR17806350-64	6.35	1.78	FKM	QR-1068
QR29000646-64	6.46	2.90	FKM	QR-516
QR29000646-08	6.46	2.90	NBR	QR-517
QR178800665-08	6.65	1.78	NBR	QR-1367
QR20000670-08	6.70	2.00	NBR	QR-1406
QR17800686-43	6.86	1.78	VMQ	QR-876
QR18000690-D5	6.90	1.80	HNBR	QR-1296
QR20000700-D5	7.00	2.00	HNBR	QR-1395
QR20000700-S4	7.00	2.00	HNBR	QR-752
QR20000700-08	7.00	2.00	NBR	QR-495
QR20000750-08	7.50	2.00	NBR	QR-1147
QR35300752-08	7.52	3.53	NBR	QR-1309
QR26200759-08	7.59	2.62	NBR	QR-229
QR17800765-08	7.65	1.78	NBR	QR-432
QR17800766-34	7.66	1.78	EPDM	QR-1046
QR17800780-64	7.80	1.78	FKM	QR-1078
QR20000800-64	8.00	2.00	FKM	QR-1292
QR20000800-08	8.00	2.00	NBR	QR-216
QR25000800-08	8.00	2.50	NBR	QR-815
QR17800820-08	8.20	1.78	NBR	QR-431
QR17800820-64	8.20	1.78	FKM	QR-617
QR26200840-08	8.40	2.62	NBR	QR-634
QR17800870-32	8.70	1.78	EPDM	QR-1443
QR17800870-08	8.70	1.78	NBR	QR-1023
QR20000870-64	8.70	2.00	FKM	QR-754
QR20000900-08	9.00	2.00	NBR	QR-973
QR25000900-08	9.00	2.50	NBR	QR-185
QR35300900-08	9.00	3.53	NBR	QR-1365
QR26200919-64	9.19	2.62	FKM	QR-1484
QR26200919-08	9.19	2.62	NBR	QR-1033
QR26200919-20	9.19	2.62	CR	QR-1166
QR17800925-64	9.25	1.78	FKM	QR-1386
QR17800925-08	9.25	1.78	NBR	QR-345
QR27000950-08	9.50	2.70	NBR	QR-1465
QR17800970-08	9.70	1.78	NBR	QR-326
QR17800975-08	9.75	1.78	NBR	QR-1065
QR26200980-08	9.80	2.62	NBR	QR-1226
QR26200980-64	9.80	2.62	FKM	QR-1283
QR26200992-08	9.92	2.62	NBR	QR-1141
QR18001000-08	10.00	1.80	NBR	QR-1089
QR20001000-S4	10.00	2.00	HNBR	QR-753
QR26201002-08	10.02	2.62	NBR	QR-720
QR26201020-64	10.20	2.62	FKM	QR-1052
QR20001040-08	10.40	2.00	NBR	QR-1231
QR35301069-08	10.69	3.53	NBR	QR-704
QR26201077-08	10.77	2.62	NBR	QR-430
QR26201077-64	10.77	2.62	FKM	QR-861
QR26201077-32	10.77	2.62	EPDM	QR-1123
QR26201078-32	10.78	2.62	EPDM	QR-1139
QR17801082-08	10.82	1.78	NBR	QR-429
QR20001100-08	11.00	2.00	NBR	QR-1483
QR25001100-64	11.00	2.50	FKM	QR-951
QR30001100-08	11.00	3.00	NBR	QR-1073

Part No.	d	c/s	Material	Mould No.
QR23001111-32	11.11	2.30	EPDM	QR-1318
QR25001120-T2	11.20	2.50	VMQ	QR-1361
QR26201170-64	11.70	2.62	FKM	QR-1285
QR26201170-32	11.70	2.62	EPDM	QR-1338
QR26201179-08	11.79	2.62	NBR	QR-842
QR25001200-08	12.00	2.50	NBR	QR-1481
QR26201200-08	12.00	2.62	NBR	QR-636
QR35301229-08	12.29	3.53	NBR	QR-818
QR26201237-08	12.37	2.62	NBR	QR-246
QR26201237-64	12.37	2.62	FKM	QR-671
QR17801242-08	12.42	1.78	NBR	QR-428
QR17801242-20	12.42	1.78	CR	QR-1185
QR15901270-08	12.70	1.59	NBR	QR-1159
QR23801270-08	12.70	2.38	NBR	QR-1158
QR26201280-08	12.80	2.62	NBR	QR-1026
QR20001300-11	13.00	2.00	NBR	QR-1219
QR77401333-64	13.33	7.74	FKM	QR-456
QR43001364-08	13.64	4.30	NBR	QR-1350
QR26201370-32	13.70	2.62	EPDM	QR-1480
QR35301387-08	13.87	3.53	NBR	QR-1438
QR26201394-32	13.94	2.62	EPDM	QR-1280
QR26201395-08	13.95	2.62	NBR	QR-265
QR15001400-T2	14.00	1.50	VMQ	QR-1302
QR15001400-08	14.00	1.50	NBR	QR-1303
QR17801400-64	14.00	1.78	FKM	QR-1387
QR17801400-32	14.00	1.78	EPDM	QR-1279
QR17801400-08	14.00	1.78	NBR	QR-427
QR25001400-08	14.00	2.50	NBR	QR-803
QR35001400-08	14.00	3.50	NBR	QR-168
QR40001400-08	14.00	4.00	NBR	QR-993
QR40001400-Q2	14.00	4.00	PU	PPA-2967
QR24001430-32	14.30	2.40	EPDM	QR-1259
QR26201470-32	14.70	2.62	EPDM	QR-1243
QR26201470-08	14.70	2.62	NBR	QR-358
QR26201480-08	14.80	2.62	NBR	QR-1324
QR26201480-64	14.80	2.62	FKM	QR-1081
QR20001500-08	15.00	2.00	NBR	QR-1399
QR30001500-08	15.00	3.00	NBR	QR-1194
QR26201500-08	15.00	2.62	NBR	QR-902
QR30001500-08	15.00	3.00	NBR	QR-1172
QR24001510-08	15.10	2.40	NBR	QR-1377
QR29001520-08	15.20	2.90	NBR	QR-1493
QR35301547-08	15.47	3.53	NBR	QR-224
QR35301547-T2	15.47	3.53	VMQ	QR-974
QR25001550-08	15.50	2.50	NBR	QR-812
QR26201554-43	15.54	2.62	VMQ	QR-1277
QR26201554-D5	15.54	2.62	HNBR	QR-1044
QR26201555-08	15.55	2.62	NBR	QR-504
QR17801560-08	15.60	1.78	NBR	QR-426
QR17801560-43	15.60	1.78	VMQ	QR-1436
QR23801587-08	15.87	2.38	NBR	QR-518
QR26201588-08	15.88	2.62	SB6/A	QR-834
QR20001600-08	16.00	2.00	NBR	QR-1385
QR26201620-32	16.20	2.62	EPDM	QR-1235
QR26201620-08	16.20	2.62	NBR	QR-425
QR26201620-T9	16.20	2.62	FKM	QR-568
QR25001650-08	16.50	2.50	NBR	QR-813
QR28001660-64	16.60	2.80	FKM	QR-1316
QR45001670-43	16.70	4.50	VMQ	QR-522
QR40001700-08	17.00	4.00	NBR	QR-990
QR55001700-08	17.00	5.50	NBR	QR-1298
QR57001700-08	17.00	5.70	NBR	QR-1380
QR26201712-32	17.12	2.62	EPDM	QR-1315
QR26201712-08	17.12	2.62	NBR	QR-424
QR26201712-64	17.12	2.62	FKM	QR-867
QR26201713-20	17.13	2.62	CR	QR-1165
QR17801717-32	17.17	1.78	EPDM	QR-1236
QR17801717-08	17.17	1.78	NBR	QR-423
QR43217270-08	17.27	4.32	NBR	QR-1329
QR23801745-08	17.45	2.38	NBR	QR-929
QR23801745-64	17.45	2.38	FKM	QR-1378
QR26201775-64	17.75	2.62	FKM	QR-1288
QR26201775-08	17.75	2.62	NBR	QR-462

Bold sizes are readily available in stock.

Other materials are available on request.

Part No.	d	c/s	Material	Mould No.
QR25001800-08	18.00	2.50	NBR	QR-820
QR35001800-64	18.00	3.50	FKM	QR-1101
QR35001800-08	18.00	3.50	NBR	QR-1048
QR40001800-08	18.00	4.00	NBR	QR-1379
QR40001800-08	18.00	4.00	NBR	QR-1062
QR35301820-64	18.20	3.53	FKM	QR-1435
QR35301820-08	18.20	3.53	NBR	QR-475
QR18301833-08	18.33	1.83	NBR	QR-1468
QR35001850-08	18.50	3.50	NBR	QR-764
QR40001860-08	18.60	4.00	NBR	QR-1079
QR35301864-T9	18.64	3.53	FKM	QR-701
QR35301866-08	18.66	3.53	NBR	QR-604
QR35301871-O4	18.71	3.53	FKM	QR-838
QR26201872-11	18.72	2.62	NBR	QR-160
QR26201872-64	18.72	2.62	FKM	QR-858
QR17801877-08	18.77	1.78	NBR	QR-351
QR20001900-08	19.00	2.00	NBR	QR-1240
QR30001900-08	19.00	3.00	NBR	QR-1131
QR35301900-08	19.00	3.53	NBR	QR-994
QR15801905-08	19.05	1.58	NBR	QR-1157
QR31701905-08	19.05	3.17	NBR	QR-210
QR38001930-08	19.30	3.80	NBR	QR-1021
QR30001950-08	19.50	3.00	NBR	QR-1040
QR38501950-08	19.50	3.85	NBR	QR-1009
QR26201960-32	19.60	2.62	EPDM	QR-1424
QR26201960-08	19.60	2.62	NBR	QR-738
QR26201960-08	19.60	2.62	NBR	QR-300
QR26201960-64	19.60	2.62	FKM	QR-804
QR20002000-08	20.00	2.00	NBR	QR-1458
QR25002000-06	20.00	2.50	NBR	QR-555
QR30002000-08	20.00	3.00	NBR	QR-1457
QR33002000-08	20.00	3.30	NBR	QR-1097
QR35002000-08	20.00	3.50	NBR	QR-819
QR35002000-64	20.00	3.50	FKM	QR-892
QR40002000-08	20.00	4.00	NBR	QR-1049
QR35302022-64	20.22	3.53	FKM	QR-860
QR35302022-08	20.22	3.53	NBR	QR-298
QR26202029-08	20.29	2.62	NBR	QR-500
QR35002030-66	20.30	3.50	FKM	QR-846
QR17802035-08	20.35	1.78	NBR	QR-422
QR17802053-08	20.53	1.78	NBR	QR-1214
QR35302090-32	20.90	3.53	EPDM	QR-1333
QR35302090-09	20.90	3.53	NBR	QR-1486
QR35302090-08	20.90	3.53	NBR	QR-977
QR26202160-08	21.60	2.62	NBR	QR-741
QR53302160-08	21.60	5.33	NBR	QR-768
QR35302182-08	21.82	3.53	NBR	QR-349
QR35302182-34	21.82	3.53	EPDM	QR-1274
QR35302182-43	21.82	3.53	SILICON	QR-1020
QR26202189-64	21.89	2.62	FKM	QR-1142
QR26202189-08	21.89	2.62	NBR	QR-315
QR17802195-08	21.95	1.78	NBR	QR-703
QR26202223-20	22.23	2.62	NEOPRENE	QR-1234
QR17002300-43	23.00	1.70	SILICON	QR-1372
QR35302300-08	23.00	3.53	NBR	QR-1432
QR53302316-08	23.16	5.33	NBR	QR-1462
QR35302340-08	23.40	3.53	NBR	QR-380
QR26202347-08	23.47	2.62	NBR	QR-324
QR26202347-64	23.47	2.62	FKM	QR-1247
QR17802352-08	23.52	1.78	NBR	QR-421
QR34002370-64	23.70	3.40	FKM	QR-1121
QR16002450-43	24.50	1.60	SILICON	QR-957
QR35302499-R1	24.99	3.53	FSL	QR-866
QR53302499-08	24.99	5.33	NBR	QR-936
QR20002500-08	25.00	2.00	NBR	QR-1456
QR25002500-08	25.00	2.50	NBR	QR-1455
QR30002500-08	25.00	3.00	NBR	QR-1083
QR35002500-08	25.00	3.50	NBR	QR-1459
QR35302500-T5	25.00	3.53	EPDM	QR-988
QR35302500-64	25.00	3.53	FKM	QR-949
QR35302500-08	25.00	3.53	NBR	QR-290
QR40002500-08	25.00	4.00	NBR	QR-827
QR50002500-08	25.00	5.00	NBR	QR-1029

Part No.	d	c/s	Material	Mould No.
QR60002500-08	25.00	6.00	NBR	QR-1437
QR26202507-32	25.07	2.62	EPDM	QR-1295
QR26202507-R1	25.07	2.62	FSL	QR-908
QR26202507-08	25.07	2.62	NBR	QR-350
QR17802512-08	25.12	1.78	NBR	QR-420
QR17802512-32	25.12	1.78	EPDM	QR-1004
QR23802540-08	25.40	2.38	NBR	QR-1160
QR55502540-08	25.40	5.55	NBR	QR-771
QR53302560-64	25.60	5.33	FKM	QR-944
QR35302590-08	25.90	3.53	NBR	QR-978
QR15002600-43	26.00	1.50	SILICON	QR-1376
QR35302600-08	26.00	3.53	NBR	QR-633
QR40002600-43	26.00	4.00	SILICON	QR-897
QR0260801	26.30	3.20	NBR	QR-1186
QR35302657-08	26.57	3.53	NBR	QR-332
QR26202664-08	26.64	2.62	NBR	QR-848
QR17802670-08	26.70	1.78	NBR	QR-419
QR17802620-20	26.70	1.78	NEOPRENE	QR-1189
QR40002692-D5	26.92	4.00	HNBR	QR-1007
QR35302750-08	27.50	3.53	NBR	QR-817
QR38502750-08	27.50	3.85	NBR	QR-1008
QR35302757-64	27.57	3.53	FKM	QR-1284
QR30002800-08	28.00	3.00	NBR	QR-1401
QR42002800-08	28.00	4.20	NBR	QR-1331
QR40002800-89	28.00	4.00	PU	PPA-2402
QR40002770-08	28.00	4.00	FKM	QR-293
QR17802812-08	28.12	1.78	NBR	QR-1213
QR35302817-T5	28.17	3.53	EPDM	QR-1067
QR35302817-R1	28.17	3.53	FSL-2	QR-755
QR35302817-32	28.17	3.53	EPDM	QR-779
QR35302817-08	28.17	3.53	NBR	QR-366
QR26202824-08	28.24	2.62	NBR	QR-382
QR17802830-08	28.30	1.78	NBR	QR-418
QR17802830-32	28.30	1.78	EPDM	QR-1167
QR32002840-64	28.40	3.20	FKM	QR-824
QR35302860-08	28.60	3.53	NBR	QR-1011
QR30002900-08	29.00	3.00	NBR	QR-640
QR57002920-08	29.20	5.70	NBR	QR-948
QR40029500-08	29.50	4.00	NBR	QR-244
QR35302951-D5	29.51	3.53	HNBR	QR-1111
QR53302951-D5	29.51	5.33	HNBR	QR-1120
QR35302974-T9	29.74	3.53	FKM	QR-1169
QR35302974-64	29.74	3.53	FKM	QR-1178
QR35302974-08	29.74	3.53	NBR	QR-299
QR26202982-08	29.82	2.62	NBR	QR-383
QR26202982-20	29.82	2.62	NEOPRENE	QR-1293
QR17802987-08	29.87	1.78	NBR	QR-417
QR20003000-08	30.00	2.00	NBR	QR-1453
QR25003000-64	30.00	2.50	FKM	QR-1429
QR25003000-08	30.00	2.50	NBR	QR-854
QR35003000-08	30.00	3.50	NBR	QR-942
QR40003000-08	30.00	4.00	NBR	QR-1322
QR35303000-T9	30.00	3.53	FKM	QR-1184
QR38003000-08	30.00	3.80	NBR	QR-594
QR50003000-08	30.00	5.00	NBR	QR-1193
QR0310801	31.20	4.50	NBR	QR-1187
QR35303134-08	31.34	3.53	NBR	QR-207
QR35303134-64	31.34	3.53	FKM	QR-744
QR26203142-08	31.42	2.62	NBR	QR-384
QR26203142-32	31.42	2.62	EPDM	QR-1080
QR17803147-08	31.47	1.78	NBR	QR-416
QR35303164-T5	31.64	3.53	EPDM	QR-1225
QR16003175-64	31.75	1.60	FKM	QR-1319
QR16503175-64	31.75	1.65	FKM	QR-597
QR31703175-08	31.75	3.17	NBR	QR-1232
QR37003190-64	31.90	3.70	FKM	QR-1085
QR30003200-64	32.00	3.00	FKM	QR-1218
QR30003200-08	32.00	3.00	NBR	QR-1400
QR40003200-08	32.00	4.00	NBR	QR-1366
QR35303200-08	32.00	3.53	NBR	QR-675
QR38003200-08	32.00	3.80	NBR	QR-766
QR40003200-08	32.00	4.00	NBR	QR-190
QR40003200-64	32.00	4.00	FKM	QR-1404

Bold sizes are readily available in stock.
 Other materials are available on request.

Part No.	d	c/s	Material	Mould No.
QR45003200-08	32.00	4.50	NBR	QR-1398
QR53303269-44	32.69	5.33	SILICON	QR-1337
QR35303292-64	32.92	3.53	FKM	QR-1153
QR35303292-08	32.92	3.53	NBR	QR-733
QR35303292-08	32.92	3.53	NBR	QR-287
QR35303292-R1	32.92	3.53	FSL-2	QR-667
QR26203299-08	32.99	2.62	NBR	QR-385
QR0330801	33.00	4.50	NBR	QR-1188
QR32003300-64	33.00	3.20	FKM	QR-1209
QR17803305-08	33.05	1.78	NBR	QR-415
QR43003320-10	33.20	4.30	NBR	QR-932
QR40003350-08	33.50	4.00	NBR	QR-1171
QR30003370-64	33.70	3.00	FKM	QR-915
QR35303380-09	33.80	3.53	NBR	QR-1025
QR53303429-08	34.29	5.33	NBR	QR-859
QR53303429-R1	34.29	5.33	FSL	QR-862
QR35303452-10	34.52	3.53	NBR	QR-493
QR26203459-08	34.59	2.62	NBR	QR-386
QR26203459-R1	34.59	2.62	FSL	QR-909
QR26203459-89	34.59	2.62	PU	PPA-2319
QR26203459-20	34.59	2.62	NEOPRENE	QR-1190
QR17803465-08	34.65	1.78	NBR	QR-414
QR47603492-64	34.92	4.76	FKM	QR-1299
QR20003500-08	35.00	2.00	NBR	QR-1454
QR25003500-08	35.00	2.50	NBR	QR-904
QR30003500-08	35.00	3.00	NBR	QR-1447
QR35003500-08	35.00	3.50	NBR	QR-682
QR40003500-08	35.00	4.00	NBR	QR-928
QR90403543-64	35.43	9.04	FKM	QR-784
QR25003555-08	35.55	2.50	NBR	QR-806
QR35303570-L5	35.70	3.53	PU	PPA-3052
QR42003600-08	36.00	4.20	NBR	QR-1330
QR35303600-64	36.00	3.53	FKM	QR-1346
QR35303600-32	36.00	3.53	EPDM	QR-1349
QR40003600-08	36.00	4.00	NBR	QR-291
QR60003600-43	36.00	6.00	SILICON	QR-985
QR35303606-64	36.06	3.53	FKM	QR-1352
QR35303609-08	36.09	3.53	NBR	QR-321
QR26203617-64	36.17	2.62	FKM	QR-1248
QR43003630-08	36.30	4.30	NBR	QR-1430
QR31803651-08	36.51	3.18	NBR	QR-1156
QR27703660-08	36.60	2.77	NBR	QR-1411
QR35003700-10	37.00	3.50	NBR	QR-1019
QR40003700-08	37.00	4.00	NBR	QR-1460
QR40003700-64	37.00	4.00	FKM	QR-1391
QR53303747-08	37.47	5.33	NBR	QR-708
QR53303747-64	37.47	5.33	FKM	QR-1425
QR35303769-T9	37.69	3.53	FKM	QR-1173
QR35303769-08	37.69	3.53	NBR	QR-273
QR26203777-08	37.77	2.62	NBR	QR-388
QR17803782-08	37.82	1.78	NBR	QR-217
QR20003800-L5	38.00	2.00	PU	POA-522
QR40003800-08	38.00	4.00	NBR	QR-1482
QR15903810-08	38.10	1.59	NBR	QR-1155
QR17703810-08	38.10	1.77	NBR	QR-1028
QR30003820-64	38.20	3.00	FKM	QR-747
QR40003820-64	38.20	4.00	FKM	QR-746
QR54003880-63	38.80	5.40	FKM	QR-1489
OR35303900-08	39.00	3.53	NBR	QR-1310
QR53303920-64	39.20	5.33	FKM	QR-943
QR53303920-08	39.20	5.33	NBR	QR-453
QBU0406903	39.20	5.50	FKM	QR-637
QR55003920-64	39.20	5.50	FKM	QR-886
QR26203934-08	39.34	2.62	NBR	QR-389
QR26203935-64	39.35	2.62	FKM	QR-632
QR50003950-64	39.50	5.00	FKM	QR-869
QR57003950-64	39.50	5.70	FKM	QR-1192
QR53303964-64	39.64	5.33	FKM	QR-1268
QR53303964-08	39.64	5.33	NBR	QR-1393
QR37503970-R1	39.70	3.75	FSL-2	QR-666
QR37503970-08-A	39.70	3.75	NBR	QR-520
QR20004000-08	40.00	2.00	NBR	QR-1446
QR25004000-08	40.00	2.50	NBR	QR-1434

Part No.	d	c/s	Material	Mould No.
QR30004000-08	40.00	3.00	NBR	QR-1390
QR32004000-64	40.00	3.20	FKM	QR-1230
QR35004000-08	40.00	3.50	NBR	QR-1043
QR40004000-08	40.00	4.00	NBR	QR-1445
QR45004000-S8	40.00	4.50	NBR	QR-1461
QR47004000-59	40.00	4.70	PU	PPA-3155
QR50004000-08	40.00	5.00	NBR	QR-264
QR53304000-08	40.00	5.33	NBR	QR-1431
QR26204012-08	40.12	2.62	NBR	QR-992
QR35004050-10	40.50	3.50	NBR	QR-775
QR53304064-64	40.64	5.33	FKM	QR-549
QR53304064-08	40.64	5.33	NBR	QR-360
QR35304087-08	40.87	3.53	NBR	QR-367
QR35304087-89	40.87	3.53	PU	PPA-2321
QR35304087-32	40.87	3.53	EPDM	QR-1487
QR26204094-32	40.94	2.62	EPDM	QR-950
QR26204095-08	40.95	2.62	NBR	QR-390
QR17804100-08	41.00	1.78	NBR	QR-413
QR30004100-08	41.00	3.00	NBR	QR-1496
QR35004100-08	41.00	3.50	NBR	QR-1327
QR55504127-08	41.27	5.55	NBR	QR-772
QR49004160-08	41.60	4.90	NBR	QR-760
QR17804171-08	41.71	1.78	NBR	QR-1215
QR90404178-64	41.78	9.04	FKM	QR-783
QR53304180-08	41.80	5.33	NBR	QR-1024
QR53304220-08	42.20	5.33	NBR	QR-774
QR26204252-08	42.52	2.62	NBR	QR-821
QR35004300-66	43.00	3.50	FKM	QR-1474
QR40004300-64	43.00	4.00	FKM	QR-1413
QR30004350-08	43.50	3.00	NBR	QR-1130
QR51004350-64	43.50	5.10	FKM	QR-1210
QR40004360-08	43.60	4.00	NBR	QR-935
QR21504370-08	43.70	2.15	NBR	QR-912
QR53304382-R1	43.80	5.33	FSL	QR-865
QR53304380-08	43.80	5.33	NBR	QR-368
QR53304382-32	43.82	5.33	EPDM	QR-1463
QR30004400-66	44.00	3.00	FKM	QR-537
QR50004400-08	44.00	5.00	NBR	QR-323
QR35304404-64	44.04	3.53	FKM	QR-857
QR35304404-08	44.04	3.53	NBR	QR-162
QR26204412-08	44.12	2.62	NBR	QR-735
QR26204412-08	44.12	2.62	NBR	QR-316
QR26204412-32	44.12	2.62	EPDM	QR-1125
QR17804417-08	44.17	1.78	NBR	QR-412
QR35004438-08	44.38	3.50	NBR	QR-1370
QR26204445-08	44.45	2.62	NBR	QR-1201
QR53004450-08	44.50	5.30	NBR	QR-256
QR49504495-64	44.95	4.95	FKM	QR-889
QR20004500-08	45.00	2.00	NBR	QR-1444
QR25004500-08	45.00	2.50	NBR	QR-939
QR35004500-08	45.00	3.50	NBR	QR-1452
QR40004500-08	45.00	4.00	NBR	QR-1412
QR45004500-08	45.00	4.50	NBR	QR-995
QR50004500-08	45.00	5.00	NBR	QR-641
QR53304504-T9	45.04	5.33	FKM	QR-1275
QR53304520-08	45.20	5.33	NBR	QR-182
QR30004550-08	45.50	3.00	NBR	QR-1127
QR26204569-08	45.69	2.62	NBR	QR-220
QR26204569-64	45.69	2.62	FKM	QR-1267
QR50004600-64	46.00	5.00	FKM	QR-930
QR35004700-63	47.00	3.50	FKM	QR-1470
QR35004700-20	47.00	3.53	NEOPRENE	QR-1305
QR40004700-64	47.00	4.00	FKM	QR-1195
QR53304700-67	47.00	5.33	FKM	QR-945
QR53304700-08	47.00	5.33	NBR	QR-294
QR35304722-08	47.22	3.53	NBR	QR-339
QR35304722-64	47.22	3.53	FKM	QR-1499
QR26204729-08	47.29	2.62	NBR	QR-391
QR17804735-08	47.35	1.78	NBR	QR-411
QR53304780-08	47.80	5.33	NBR	QR-584
QR40004800-64	48.00	4.00	FKM	QR-1347
QR17804850-08	48.50	1.78	NBR	QR-1212
QR26204890-32	48.90	2.62	EPDM	QR-1124

Bold sizes are readily available in stock.

Other materials are available on request.

Part No.	d	c/s	Material	Mould No.
QR26204890-08	48.90	2.62	NBR	QR-849
QR25004900-08	49.00	2.50	NBR	QR-1334
QR50004900-41	49.00	5.00	SILICON	QR-713
QR55004900-08	49.00	5.50	NBR	QR-1490
QR24004920-08	49.20	2.40	NBR	QR-1384
QR53304940-08	49.40	5.33	NBR	QR-1098
QR35004950-64	49.50	3.50	FKM	QR-955
QR48504990-06	49.90	4.85	NBR	QR-619
QR20005000-08	50.00	2.00	NBR	QR-1451
QR25005000-08	50.00	2.50	NBR	QR-1449
QR30005000-08	50.00	3.00	NBR	QR-1450
QR35005000-08	50.00	3.50	NBR	QR-1448
QR40005000-08	50.00	4.00	NBR	QR-357
QR45005000-08	50.00	4.50	NBR	QR-996
QR50005000-08	50.00	5.00	NBR	QR-259
QR60005000-08	50.00	6.00	NBR	QR-810
QR53305016-66	50.16	5.33	FKM	QR-800
QR53305016-T5	50.16	5.33	EPDM	QR-1440
QR53305017-R1	50.17	5.33	FSL-2	QR-833
QR35305040-08	50.40	3.53	NBR	QR-295
QR35305040-43	50.40	3.53	SILICON	QR-1018
QR26205047-08	50.47	2.62	NBR	QR-407
QR17805052-08	50.52	1.78	NBR	QR-808
QR35005100-64	51.00	3.50	FKM	QR-856
QR60005100-64	51.00	6.00	FKM	QR-1371
QR90405130-64	51.30	9.04	FKM	QR-786
QR40005200-08	52.00	4.00	NBR	QR-734
QR53305200-64	52.00	5.33	FKM	QR-1287
QR53305200-08	52.00	5.33	NBR	QR-1034
QR55005200-08	52.00	5.50	NBR	QR-469
QR26205207-08	52.07	2.62	NBR	QR-406
QR26205207-32	52.07	2.62	EPDM	QR-1383
QR23005230-08	52.30	2.30	NBR	QR-1257
QR35305237-08	52.37	3.53	NBR	QR-757
QR50005300-08	53.00	5.00	NBR	QR-1174
QR70005300-08	53.00	7.00	NBR	QR-1086
QR53305334-08	53.34	5.33	NBR	QR-270
QR35305357-08	53.57	3.53	NBR	QR-408
QR35305357-64	53.57	3.53	FKM	QR-1164
QR57005360-59	53.60	5.70	PU	POB-289
QR17805367-J3	53.67	1.78	BU	QR-1045
QR26205384-08	53.84	2.62	NBR	QR-405
QR31705397-08	53.97	3.17	NBR	QR-1095
QR30005400-64	54.00	3.00	FKM	QR-802
QR50005400-08	54.00	5.00	NBR	QR-587
QR57005430-64	54.30	5.70	FKM	QR-1087
QR17805450-08	54.50	1.78	NBR	QR-1228
QR35305450-08	54.50	3.53	NBR	QR-1262
QR53305450-64	54.50	5.33	FKM	QR-916
QR50005500-08	55.00	5.00	NBR	QR-1055
QR55005500-08	55.00	5.50	NBR	QR-914
QR61005500-08	55.00	6.10	NBR	QR-1051
QR26205525-64	55.25	2.62	FKM	QR-870
QR26205525-08	55.25	2.62	NBR	QR-404
QR36505550-08	55.50	3.65	NBR	QR-964
QR20005600-08	56.00	2.00	NBR	QR-1476
QR35305600-T9	56.00	3.53	FKM	QR-1183
QR55005600-64	56.00	5.50	FKM	QR-1369
QR26205642-08	56.42	2.62	NBR	QR-645
QR53305650-64	56.50	5.33	FKM	QR-864
QR53305650-08	56.50	5.33	NBR	QR-318
QR55005651	56.51	5.50	NBR	QR-687
QR40005660-08	56.60	4.00	NBR	QR-934
QR95205664-64	56.64	9.52	FKM	QR-788
QR38005670-L5	56.70	3.80	PU	PPA-597
QR35305675-08	56.75	3.53	NBR	QR-369
QR26205682-08	56.82	2.62	NBR	QR-403
QR17805687-O3	56.87	1.78	NBR	QR-642
QR17805687-64	56.87	1.78	FKM/BFT	QR-924
QR17805687-08	56.87	1.78	NBR	QR-792
QR50005700-08	57.00	5.00	NBR	QR-1170
QR35005720-64	57.20	3.50	FKM	QR-748

Part No.	d	c/s	Material	Mould No.
QR53305752-08	57.52	5.33	NBR	QR-1027
QR55005760-59	57.60	5.50	PU	POB-288
QR60405765-64	57.65	6.04	FKM	QR-791
QR17805800-08	58.00	1.78	NBR	QR-895
QR40005800-64	58.00	4.00	FKM	QR-1348
QR53005800-08	58.00	5.30	NBR	QR-816
QR26205842-08	58.42	2.62	NBR	QR-370
QR57005930-08	59.30	5.70	NBR	QR-551
QR53305969-08	59.69	5.33	NBR	QR-1119
QR53305969-T2	59.69	5.33	SILICON	QR-1154
QR53305970-08	59.70	5.33	NBR	QR-364
QR35305992-08	59.92	3.53	NBR	QR-958
QR35305992-08	59.92	3.53	NBR	QR-272
QR26205999-08	59.99	2.62	NBR	QR-402
QR45006000-08	60.00	4.50	NBR	QR-1105
QR50006000-08	60.00	5.00	NBR	QR-511
QR35006040-08	60.40	3.50	NBR	QR-527
QR53306154-11	61.54	5.33	NBR	QR-1351
QR26206160-08	61.60	2.62	NBR	QR-371
QR35006200-64	62.00	3.50	FKM	QR-750
QR40006200-64	62.00	4.00	FKM	QR-1405
QR53306286-08	62.86	5.33	NBR	QR-296
QR53306287-64	62.87	5.33	FKM	QR-1181
QR35306310-08-A	63.10	3.53	NBR	QR-794
QR26206317-08	63.17	2.62	NBR	QR-401
QR32006330-08	63.30	3.20	NBR	QR-1359
QR31706350-08	63.50	3.17	NBR	QR-743
QR54006350-08	63.50	5.40	NBR	QR-991
QR35306627-64	63.50	3.53	FKM	QR-829
QR90406400-64	64.00	9.04	FKM	QR-789
QR53306459-08	64.59	5.33	NBR	QR-850
QR53306459-64	64.59	5.33	FKM	QR-1282
QR26206477-08	64.77	2.62	NBR	QR-399
QR15006500-08	65.00	1.50	NBR	QR-899
QR30006500-08	65.00	3.00	NBR	QR-1336
QR30006530-64	65.30	3.00	FKM	QR-1039
QR53306600-08	66.00	5.33	NBR	QR-564
QR35306627-08	66.27	3.53	NBR	QR-398
QR35306627-64	66.27	3.53	FKM	QR-1099
QR26206634-08	66.34	2.62	NBR	QR-266
QR17806640-08	66.40	1.78	NBR	QR-793
QR25006750-08	67.50	2.50	NBR	QR-891
QR17806764-64	67.64	1.78	FKM	QR-1113
QR26206794-08	67.94	2.62	NBR	QR-372
QR26206795-75	67.95	2.62	AFLAS	QR-1488
QR36006800-08	68.00	3.60	NBR	QR-1341
QR50006800-08	68.00	5.00	NBR	QR-770
QR55006830-08	68.30	5.50	NBR	QR-1109
QR53306922-08	69.22	5.33	NBR	QR-1135
QR53306922-32	69.22	5.33	EPDM	QR-1118
QR53506922-08	69.22	5.35	NBR	QR-302
QR57006930-08	69.30	5.70	NBR	QR-519
QR57006930-64	69.30	5.70	FKM	QR-963
QR35306944-08	69.44	3.53	NBR	QR-219
QR26206952-08	69.52	2.62	NBR	QR-397
QR17807000-08	70.00	1.78	NBR	QR-1161
QR50007000-08	70.00	5.00	NBR	QR-102
QR55007000-08	70.00	5.50	NBR	QR-1168
QR60007000-08	70.00	6.00	NBR	QR-826
QR120607035-64	70.35	12.06	FKM	QR-905
QR53307064-64	70.64	5.33	FKM	QR-1281
QR53307064-08	70.64	5.33	NBR	QR-1094
QR57007130-08	71.30	5.70	NBR	QR-1249
QR35007200-08	72.00	3.50	NBR	QR-1308
QR53307240-08	72.40	5.33	NBR	QR-373
QR53307240-64	72.40	5.33	FKM	QR-931
QR35307262-08	72.62	3.53	NBR	QR-484
QR26207269-08	72.69	2.62	NBR	QR-478
QR53307285-64	72.85	5.33	FKM	QR-1108
QR26207300-08	73.00	2.62	NBR	QR-884
QR27007300-08	73.00	2.70	NBR	QR-890
QR35007300-64	73.00	3.50	FKM	QR-919
QR35007300-Q2	73.00	3.50	PU	PPA-2966

Bold sizes are readily available in stock.
 Other materials are available on request.

Part No.	d	c/s	Material	Mould No.
QR40007300-64	73.00	4.00	FKM	QR-1392
QR0736401	73.00	5.30	FKM	QR-1047
QR47607302-32	73.02	4.76	EPDM	QR-1163
QR60407353-64	73.53	6.04	FKM	QR-785
QR53307384-64	73.84	5.33	FKM	QR-1286
QR28007400-64	74.00	2.80	FKM	QR-1261
QR53307400-08	74.00	5.50	NBR	QR-927
QR7007460-L5	74.60	5.70	PU	PPA-701
QR53307463-08	74.63	5.33	NBR	QR-1492
QR40007500-64	75.00	4.00	FKM	QR-1364
QR53307556-64	75.56	5.33	FKM	QR-863
QR53307556-08	75.56	5.33	NBR	QR-267
QR69907556-08	75.56	6.99	NBR	QR-1263
QR35307579-D5	75.79	3.53	HNBR	QR-987
QR35307579-08	75.79	3.53	NBR	QR-223
QR26207587-08	75.87	2.62	NBR	QR-228
QR26207587-64	75.87	2.62	FKM	QR-877
QR17807592-08	75.92	1.78	NBR	QR-473
QR40007600-08	76.00	4.00	NBR	QR-1258
QR18007650-L5	76.50	1.80	PU	POB-305
QR27507700-08	77.00	2.75	NBR	QR-855
QR15007760-08	77.60	1.50	NBR	QR-901
QR53307874-08	78.74	5.33	NBR	QR-374
QR35307897-08-A	78.97	3.53	NBR	QR-797
QR35307897-64	78.97	3.53	FKM	QR-1251
QR26207900-64	79.00	2.62	FKM	QR-1203
QR35307980-08	79.80	3.53	NBR	QR-843
QR50008000-D5	80.00	5.00	HNBR	QR-968
QR50008000-08	80.00	5.00	NBR	QR-279
QR60008000-08	80.00	6.00	NBR	QR-292
QR55008000-08	80.00	5.50	NBR	QR-1332
QR53308009-08	80.09	5.33	NBR	QR-348
QR46008060-10	80.60	4.60	NBR	QR-841
QR36008114-67	81.14	3.60	FKM	QR-1245
QR26208173-08	81.73	2.62	NBR	QR-1054
QR53308190-08	81.90	5.33	NBR	QR-289
QR53308192-D5	81.92	5.33	HNBR	QR-947
QR69908192-08	81.92	6.99	NBR	QR-1290
QR47008200-08	82.00	4.70	NBR	QR-1000
QR35308214-08	82.14	3.53	NBR	QR-1076
QR35308214-64	82.14	3.53	FKM	QR-1253
QR26208222-O3	82.22	2.62	NBR	QR-222
QR53308339-66	83.39	5.33	FKM	QR-1223
QR53308339-08	83.39	5.33	NBR	QR-1103
QR15008500-L5	85.00	1.50	PU	POB-306
QR50008500-64	85.00	5.00	FKM	QR-1115
QR50008500-08	85.00	5.00	NBR	QR-839
QR53308509-08	85.09	5.33	NBR	QR-203
QR35308532-08	85.32	3.53	NBR	QR-221
QR17808550-08	85.50	1.78	NBR	QR-1408
QR32008560-08	85.60	3.20	NBR	QR-1360
QR31708572-08	85.72	3.17	NBR	QR-742
QR53308584-64	85.85	5.33	FKM	QR-1307
QR15008600-08	86.00	1.50	NBR	QR-900
QR35308600-08	86.00	3.53	NBR	QR-1042
QR30008700-64	87.00	3.00	FKM	QR-1064
QR35008750-08	87.50	3.50	NBR	QR-871
QR55008800-64	88.00	5.50	FKM	QR-1150
QR53308826-08	88.26	5.33	NBR	QR-268
QR53308827-64	88.27	5.33	FKM	QR-814
QR53308827-35	88.27	5.33	EPDM	QR-1345
QR35308849-08	88.49	3.53	NBR	QR-502
QR17808862-08	88.62	1.78	NBR	QR-837
QR17808862-D5	88.62	1.78	HNBR	QR-1394
QR63508890-08	88.90	6.35	NBR	QR-1058
QR35008900-64	89.00	3.50	FKM	QR-749
QR120608940-64	89.40	12.06	FKM	QR-790
QR53308959-64	89.59	5.33	FKM	QR-1306
QR57008960-L5	89.60	5.70	PU	PPA-745
QR50009000-08	90.00	5.00	NBR	QR-439
QR57009000-64	90.00	5.70	FKM	QR-1314
QR53309145-08	91.45	5.33	NBR	QR-375
QR35309167-32	91.67	3.53	EPDM	QR-455

Part No.	d	c/s	Material	Mould No.
QR35309167-64	91.67	3.53	FKM	QR-739
QR35309167-R1	91.67	3.53	FSL	QR-1093
QR17809200-08	92.00	1.78	NBR	QR-894
QR40009200-64	92.00	4.00	FKM	QR-1414
QR47009200-08	92.00	4.70	NBR	QR-1002
QR53009240-64	92.40	5.30	FKM	QR-759
QR30009300-08	93.00	3.00	NBR	QR-1479
QR35009300-64	93.00	3.50	FKM	QR-1205
QR35009300-08	93.00	3.50	NBR	QR-1206
QR20009400-64	94.00	2.00	FKM	QR-1416
QR53309440-L5	94.40	5.33	PU	PPA-3053
QR53309440-08	94.40	5.33	NBR	QR-777
QR53309460-08	94.60	5.33	NBR	QR-193
QR53309462-08	94.62	5.33	NBR	QR-508
QR53309462-D5	94.62	5.33	HNBR	QR-1439
QR53309462-64	94.62	5.33	FKM	QR-972
QR35309484-32	94.84	3.53	EPDM	QR-1344
QR35309485-64	94.85	3.53	FKM	QR-1291
QR26209492-39	94.92	2.62	SILICON	QR-1036
QR26209492-43	94.92	2.62	SILICON	QR-1037
QR50009500-D5	95.00	5.00	HNBR	QR-969
QR47609525-08	95.25	4.76	NBR	QR-525
QR17509550-08	95.50	1.75	PU	QR-286
QR17509550-64	95.50	1.75	FKM	QR-1074
QR26209600-08	96.00	2.62	NBR	QR-1117
QR53309700-08	97.00	5.33	NBR	QR-235
QR26209740-64	97.40	2.62	FKM	QR-1082
QR53309779-64	97.79	5.33	FKM	QR-981
QR53309780-08	97.80	5.33	NBR	QR-799
QR35309802-08	98.02	3.53	NBR	QR-607
QR35309900-08	99.00	3.53	NBR	QR-1060
QR57009950-64	99.50	5.70	FKM	QR-1191
QR53309960-64	99.60	5.33	FKM	QR-1368
QR26201000-08	100.00	2.62	FKM	QR-1133
QR50010000-08	100.00	5.00	NBR	QR-954
QR51710000-08	100.00	5.17	NBR	QR-526
QR69910096-08	100.96	6.99	NBR	QR-851
QR53310097-08	100.97	5.33	NBR	QR-258
QR53310097-43S	100.97	5.33	SILICON	QR-1059
QR53310097-32	100.97	5.33	EPDM	QR-1433
QR20010100-08	101.00	2.00	NBR	QR-926
QR35310119-08	101.19	3.53	NBR	QR-230
QR35310120-64-A	101.20	3.53	FKM	QR-805
QR35310120-08-A	101.20	3.53	NBR	QR-798
QR262010127-08	101.27	2.62	NBR	QR-745
QR53310234-08	102.34	5.33	NBR	QR-1417
QR53310300-08	103.00	5.33	NBR	QR-807
QR35301034-08	103.47	3.53	NBR	QR-625
QR28010400-08	104.00	2.80	NBR	QR-1355
QR55010400-64	104.00	5.50	FKM	QR-1323
QR53310414-D5	104.14	5.33	HNBR	QR-986
QR53310414-08	104.14	5.33	NBR	QR-257
QR35310437-08	104.37	3.53	NBR	QR-606
QR35010500-64	105.00	3.50	FKM	QR-887
QR31810500-08	105.00	3.18	NBR	QR-1294
QR70010600-64	106.00	7.00	FKM	QR-1312
QR55010731-08	107.31	5.50	NBR	QR-686
QR35310754-64	107.54	3.53	FKM	QR-1254
QR35310754-08	107.54	3.53	NBR	QR-1402
QR120610845-64	108.45	12.06	FKM	QR-787
QR30010900-08	109.00	3.00	NBR	QR-1354
QR63310900-08	109.00	6.33	NBR	QR-953
QR37011000-08	110.00	3.70	NBR	QR-980
QR50011000-08	110.00	5.00	NBR	QR-276
QR50011000-08	110.00	5.00	NBR	QR-1061
QR55011100-08	110.00	5.50	NBR	QR-306
QR53311049-08	110.49	5.33	NBR	QR-494
QR53311049-64	110.49	5.33	FKM	QR-1353
QR69011050-08	110.50	6.90	NBR	QR-1151
QR35311072-08	110.72	3.53	NBR	QR-1200
QR53311230-64	112.30	5.33	FKM	QR-828
QR77011240-08	112.40	7.70	NBR	QR-975
QR60011300-08	113.00	6.00	NBR	QR-261

Bold sizes are readily available in stock.

Other materials are available on request.

Part No.	d	c/s	Material	Mould No.
QR55811350-64	113.50	5.58	FKM	QR-1091
QR53311367-64	113.67	5.33	FKM	QR-830
QR69911367-08	113.67	6.99	NBR	QR-376
QR35311389-08	113.89	3.53	NBR	QR-501
QR35311389-64	113.89	3.53	FKM	QR-1246
QR26211392-64	113.92	2.62	FKM	QR-1132
QR26211397-D5	113.97	2.62	HNBR	QR-1325
QR26211397-08	113.97	2.62	NBR	QR-310
QR30011400-08	114.00	3.00	NBR	QR-1356
QR65011400-08	114.00	6.50	NBR	QR-913
QR17811402-64	114.02	1.78	FKM	QR-1075
QR53311450-08	114.50	5.33	NBR	QR-1221
QR40011500-64	115.00	4.00	FKM	QR-1415
QR53311684-43	116.84	5.33	SILICON	QR-1032
QR69911684-D5	116.84	6.99	HNBR	QR-970
QR53311685-08	116.85	5.33	NBR	QR-409
QR70011685-08	116.85	7.00	NBR	QR-363
QR35311694-64	116.94	3.53	FKM	QR-1100
QR35311707-20	117.07	3.53	NEOPRENE	QR-1464
QR85011870-08	118.70	8.50	NBR	QR-441
QR63011934-08	119.34	6.30	NBR	QR-952
QR25012000-08	120.00	2.50	NBR	QR-1110
QR50012000-66	120.00	5.00	FKM	QR-546
QR53011934-64	120.00	5.33	FKM	QR-361
QR53312000-R1	120.00	5.33	FSL	QR-1092
QR70012000-08	120.00	7.00	NBR	QR-377
QR70012002-64	120.02	7.00	FKM	QR-868
QR35312025-08-A	120.25	3.53	NBR	QR-796
QR53312034-08	120.34	5.33	NBR	QR-923
QR17812200-08	122.00	1.78	NBR	QR-1409
QR26200122-08	122.00	2.62	NBR	QR-1202
QR70012200-08	122.00	7.00	NBR	QR-683
QR70012320-08	123.20	7.00	NBR	QR-378
QR35312342-08	123.42	3.53	NBR	QR-227
QR50012400-64	124.00	5.00	FKM	QR-1265
QR50012400-08	124.00	5.00	NBR	QR-1342
QR70012400-64	124.00	7.00	FKM	QR-1207
QR57012430-64	124.50	5.70	FKM	QR-1220
QR35312470-08	124.70	3.53	NBR	QR-880
QR300125002-66	125.00	3.00	FKM	QR-1485
QR70012500-08-1	125.00	7.00	NBR	QR-1106
QR53312637-L5	126.37	5.33	PU	PPA-2739
QR53312637-65	126.37	5.33	FKM	QR-1358
QR69912637-08	126.37	6.99	NBR	QR-379
QR70012637-T9	126.37	7.00	FKM	QR-1491
QR53312645-08	126.45	5.33	NBR	QR-611
QR35312700-08	127.00	3.53	NBR	QR-583
QR53312954-08	129.54	5.33	NBR	QR-489
QR53312954-64	129.54	5.33	FKM	QR-1357
QR53312954-32	129.54	5.33	EPDM	QR-1278
QR70012955-08	129.55	7.00	NBR	QR-277
QR35312977-08	129.77	3.53	NBR	QR-610
QR10011300-08	130.00	10.00	NBR	QR-1407
QR69913272-32	132.72	6.99	EPDM	QR-984
QR65013400-64	134.00	6.50	FKM	QR-1140
QR57013450-64	134.50	5.70	FKM	QR-961
QR69913450-08	134.50	6.99	NBR	QR-1304
QR53313589-67	135.89	5.33	FKM	QR-1050
QR69913589-08	135.89	6.99	NBR	QR-509
QR69913589-64	135.89	6.99	FKM	QR-1180
QR70013590-08	135.90	7.00	NBR	QR-309
QR35313612-08	136.12	3.53	NBR	QR-459
QR77013740-08	137.40	7.70	NBR	QR-976
QR40001380-08	138.00	4.00	NBR	QR-979
QR70013906-08	139.06	7.00	NBR	QR-598
QR53313907-08	139.07	5.33	NBR	QR-1363
QR47613970-08	139.70	4.76	NBR	QR-1137
QR35302000-64	140.00	3.53	FKM	QR-906
QR55014000-64	140.00	5.50	FKM	QR-881
QR53314224-S4	142.24	5.33	HNBR	QR-1381
QR70014225-08	142.25	7.00	NBR	QR-395
QR35314347-08	143.47	3.53	NBR	QR-1297
QR53314400-08	144.00	5.33	NBR	QR-1126

Part No.	d	c/s	Material	Mould No.
QR53314450-64	144.50	5.33	FKM	QR-1038
QR17814500-08	145.00	1.78	NBR	QR-635
QR42014500-08	145.00	4.20	NBR	QR-1428
QR50014500-08	145.00	5.00	NBR	QR-773
QR70014540-08	145.40	7.00	NBR	QR-394
QR69914542-08	145.42	6.99	NBR	QR-758
QR70014542-08-A	145.42	7.00	NBR	QR-767
QR70014542-64-A	145.42	7.00	FKM	QR-840
QR26214572-64	145.72	2.62	FKM	QR-1138
QR63014800-08	148.00	6.30	NBR	QR-1001
QR53314849-08	148.49	5.33	NBR	QR-457
QR53314849-08-A	148.49	5.33	NBR	QR-795
QR70014860-08	148.60	7.00	NBR	QR-328
QR70014860-64	148.60	7.00	FKM	QR-997
QR35314882-64	148.82	3.53	FKM	QR-1388
QR55014960-08	149.60	5.50	NBR	QR-1441
QR65014980-08	149.80	6.50	NBR	QR-1478
QR42015000-08	150.00	4.20	NBR	QR-1427
QR70015000-08	150.00	7.00	NBR	QR-1035
QR70015176-08	151.76	7.00	NBR	QR-195
QR53315177-67	151.77	5.33	FKM	QR-1149
QR69915177-32	151.77	6.99	EPDM	QR-1389
QR35315199-64	151.99	3.53	FKM	QR-1339
QR35315199-08	151.99	3.53	NBR	QR-311
QR26215207-08	152.07	2.62	NBR	QR-879
QR450015500-08	155.00	4.50	NBR	QR-1272
QR53315500-08	155.00	5.33	NBR	QR-652
QR35315535-08	155.35	3.53	NBR	QR-1053
QR26215700-08	157.00	2.62	NBR	QR-692
QR70015800-08	158.00	7.00	NBR	QR-776
QR70015810-08	158.10	7.00	NBR	QR-340
QR53315812-08	158.12	5.33	NBR	QR-1175
QR69915812-32	158.12	6.99	EPDM	QR-1244
QR35316000-64	160.00	3.53	FKM	QR-852
QR55016000-08	160.00	5.50	NBR	QR-1340
QR70016050-08	160.50	7.00	NBR	QR-801
QR70016150-64	161.50	7.00	FKM	QR-1237
QR84016410-64	164.10	8.40	FKM	QR-962
QR70016446-08	164.46	7.00	NBR	QR-393
QR53316447-08	164.47	5.33	NBR	QR-1266
QR35016500-64	165.00	3.50	FKM	QR-878
QR53316500-08	165.00	5.33	NBR	QR-653
QR55016500-08	165.00	5.50	NBR	QR-714
QR70016500-64	165.00	7.00	FKM	QR-1112
QR35316600-08	166.00	3.53	NBR	QR-1475
QR60016700-08	167.00	6.00	NBR	QR-737
QR69916702-08	167.02	6.99	NBR	QR-1289
QR53316900-64	169.00	5.33	FKM	QR-883
QR53316920-04	169.20	5.33	NBR	QR-1273
QR57016950-64	169.50	5.70	FKM	QR-1241
QR50017000-08	170.00	5.00	NBR	QR-1256
QR70017000-64	170.00	7.00	FKM	QR-782
QR35317081-08	170.81	3.53	NBR	QR-191
QR70017081-08	170.81	7.00	NBR	QR-240
QR53317082-08	170.82	5.33	NBR	QR-875
QR53317082-64	170.82	5.33	FKM	QR-1252
QR69917082-08	170.82	6.99	NBR	QR-507
QR26217111-08	171.11	2.62	NBR	QR-941
QR35317200-64	172.00	3.53	FKM	QR-697
QR70017200-64	172.00	7.00	FKM	QR-1313
QR35317300-08	173.00	3.53	NBR	QR-1317
QR70017410-08	174.10	7.00	NBR	QR-1466
QR70017410-64	174.10	7.00	FKM	QR-1238
QR26217440-08	174.40	2.62	NBR	QR-940
QR70017716-08	177.16	7.00	NBR	QR-196
QR70017716-64	177.16	7.00	FKM	QR-998
QR53317717-08	177.17	5.33	NBR	QR-466
QR69917717-32	177.17	6.99	EPDM	QR-1116
QR26217747-61	177.47	2.62	FKM	QR-1107
QR47617780-08	177.80	4.76	NBR	QR-1136
P931797001	179.00	8.10	NBR/BFT	QR-809
QR84017910-64	179.10	8.40	FKM	QR-960
QR70018000-08	180.00	7.00	NBR	QR-1321

Bold sizes are readily available in stock.
 Other materials are available on request.

Part No.	d	c/s	Material	Mould No.
QR69918052-64	180.52	6.99	FKM	QR-1410
QR69918100-64	181.00	6.99	FKM	QR-1335
QR70018351-64-A	183.51	7.00	FKM	QR-811
QR53318352-32	183.52	5.33	EPDM	QR-1471
QR53318352-64	183.52	5.33	FKM	QR-1233
QR70018352-32	183.52	7.00	EPDM	QR-241
QR35318374-S4	183.74	3.53	HNBR	QR-1419
QR35318375-08	183.75	3.53	NBR	QR-647
QR70018481-08	184.81	7.00	NBR	QR-836
QR45000185-08	185.00	4.50	NBR	QR-1270
QR78018500-08	185.00	7.80	NBR	QR-1143
QR84018500-U2	185.00	8.40	FKM	QR-1264
QR84018500-10	185.00	8.40	NBR	QR-1276
QR69918602-08	186.02	6.99	NBR	QR-1326
QR53318684-08	186.84	5.33	NBR	QR-1176
QR70018700-08	187.00	7.00	NBR	QR-982
QR53318800-64	188.00	5.33	FKM	QR-882
QR70018800-08	188.00	7.00	NBR	QR-873
QR55018900-08	189.00	5.50	NBR	QR-1146
QR70018987-08	189.87	7.00	NBR	QR-158
QR70018987-64	189.87	7.00	FKM	QR-1056
QR53318997-08	189.97	5.33	NBR	QR-1224
QR35319010-08	190.10	3.53	NBR	QR-1177
QR50019200-08	192.00	5.00	NBR	QR-712
QR50019250-64	192.50	5.00	FKM	QR-1197
QR35301940-08	194.00	3.53	NBR	QR-1063
QR26219500-08	195.00	2.62	NBR	QR-853
QR70019500-08	195.00	7.00	NBR	QR-1084
QR180019500-08	195.00	18.00	NBR	QR-1467
QR35319600-08	196.00	3.53	NBR	QR-443
QR69919622-08	196.22	6.99	NBR	QR-461
QR69919622-64	196.22	6.99	FKM	QR-646
QR70019770-08	197.70	7.00	NBR	QR-1442
QR69919902-08	199.02	6.99	NBR	QR-938
QR35320050-08	200.50	3.53	NBR	QR-723
QR69920256-08	202.56	6.99	NBR	QR-483
QR70020257-66	202.57	7.00	FKM	QR-1057
QR60020600-08	206.00	6.00	NBR	QR-1271
QR70020600-64	206.00	7.00	FKM	QR-1311
QR69920680-10	206.80	6.99	NBR	QR-1362
QR53320892-08	208.92	5.33	NBR	QR-482
QR84020910-64	209.10	8.40	FKM	QR-1199
QR70021400-64	214.00	7.00	FKM	QR-1128
QR70021400-08	214.00	7.00	NBR	QR-874
QR70021526-08	215.26	7.00	NBR	QR-1403
QR53321527-11	215.27	5.33	NBR	QR-1066
QR69921527-64	215.27	6.99	FKM	QR-1179
QR69021530-08	215.30	6.90	NBR	QR-1006
QR35321549-64	215.49	3.53	FKM	QR-1217
QR50021800-08	218.00	5.00	NBR	QR-1005
QR55021900-08	219.00	5.50	NBR	QR-1145
QR70021900-08	219.00	7.00	NBR	QR-672
QR84021910-64	219.10	8.40	FKM	QR-1208
QR69922100-10	221.00	6.99	NBR	QR-1422
QR53322162-01	221.62	5.33	NBR	QR-933
QR26222225-08	222.25	2.62	NBR	QR-1134
QR69922350-08	223.50	6.99	NBR	QR-1071
QR55022500-10	225.00	5.50	NBR	QR-911
QR53322797-08	227.97	5.33	NBR	QR-463
QR53322797-D6	227.97	5.33	HNBR	QR-1374
QR69922797-08	227.97	6.99	NBR	QR-917
QR70022797-64	227.97	7.00	FKM	QR-314
QR69923102-08	231.02	6.99	NBR	QR-732
QR69923102-64	231.02	6.99	FKM	QR-130
QR69923102-R1	231.02	6.99	EPDM	QR-707
QR70023300-32	233.00	7.00	EPDM	QR-1301
QR70023300-66	233.00	7.00	FKM	QR-1250
QR70023400-D5	234.00	7.00	HNBR	QR-966
QR70023400-64	234.00	7.00	FKM	QR-1152
QR53323432-08	234.32	5.33	NBR	QR-464
QR35323454-S4	234.54	3.53	HNBR	QR-1420
QR70023500-08	235.00	7.00	NBR	QR-872
QR69923600-08	236.00	6.99	NBR	QR-1397

Part No.	d	c/s	Material	Mould No.
QR70023900-64	239.00	7.00	FKM	QR-1129
QR26202400-64	240.00	2.62	FKM	QR-1090
QR69924067-08	240.67	6.99	NBR	QR-1070
QR69024070-08	240.70	6.90	NBR	QR-343
QR35324090-08	240.90	3.53	NBR	QR-485
QR35324090-64	240.90	3.53	FKM	QR-1196
QR69924302-08	243.02	6.99	NBR	QR-910
QR28024500-08	245.00	2.80	NBR	QR-971
QR35324500-08	245.00	3.53	NBR	QR-1396
QR84024910-64	249.10	8.40	FKM	QR-1229
QR6524919-08	249.19	9.65	NBR	QR-1227
QR70024960-08	249.60	7.00	NBR	QR-1382
QR70025200-08	252.00	7.00	NBR	QR-1255
OR70025337-08	253.37	7.00	NBR	QR-319
QR26225750-08	257.50	2.62	NBR	QR-486
OR69925900-08	259.00	6.99	NBR	QR-450
QR70025970-32	259.70	7.00	EPDM	QR-1012
QR69926067-08	260.67	6.99	NBR	QR-1122
QR80026500-08	265.00	8.00	NBR	QR-1022
QR70026600-64	266.00	7.00	FKM	QR-1239
QR53326607-11	266.07	5.33	NBR	QR-567
QR35327300-08	273.00	3.53	NBR	QR-1216
QR69827343-08	273.43	6.98	NBR	QR-1072
QR53327877-08	278.77	5.33	NBR	QR-365
QR70027880-43	278.80	7.00	SILICON	QR-662
QR70027880-08-A	278.80	7.00	NBR	QR-107
QR70027880-32	278.80	7.00	EPDM	QR-778
QR70027880-R1	278.80	7.00	NBR	QR-762
QR70027880-64	278.80	7.00	FKM	QR-1198
QR57027930-64	279.30	5.70	FKM	QR-1269
QR80028200-64	282.00	8.00	FKM	QR-1114
QR70028400-D5	284.00	7.00	HNBR	QR-967
QR70028400-08	284.00	7.00	NBR	QR-531
QR75000290-08	290.00	7.50	NBR	QR-250
QR70029100-32	291.00	7.00	EPDM	QR-1013
QR53329147-08	291.47	5.33	NBR	QR-198
QR69929147-08	291.47	6.99	NBR	QR-1014
QR35329169-32	291.69	3.53	EPDM	QR-523
QR78029230-08	292.30	7.80	NBR	QR-1300
QR26229400-08	294.00	2.62	NBR	QR-920
QR70029500-64	295.00	7.00	FKM	QR-1472
QR70029500-11	295.00	7.00	NBR	QR-1144
QR70029800-64	298.00	7.00	FKM	QR-1497
QR70030000-08	300.00	7.00	NBR	QR-1104
QR35330100-08	301.00	3.53	NBR	QR-921
QR70030800-64	308.00	7.00	FKM	QR-1473
QR35303100-08	310.00	3.53	NBR	QR-888
QR75031200-08	312.00	7.50	PTFE	QR-822
QR69031687-08	316.87	6.90	NBR	QR-925
QR70032600-64	326.00	7.00	FKM	QR-1498
QR70032600-08	326.00	7.00	NBR	QR-1320
QR69932957-08 IMI	329.57	6.99	NBR	QR-922
QR70032960-64	329.60	7.00	FKM	QR-582
QR70032960-32	329.60	7.00	EPDM	QR-781
QR70032960-R1	329.60	7.00	FKM	QR-756
QR70033500-08	335.00	7.00	NBR	QR-1343
QR75003350-08	335.00	7.50	PTFE	QR-823
QR35303400-08	340.00	3.53	NBR	QR-1182
QR26234100-08	341.00	2.62	NBR	QR-965
QR69934227-08	342.27	6.99	NBR	QR-1069
QR70034820-08	348.20	6.99	NBR	QR-344
QR12035000-T5	350.00	12.00	EPDM	QR-1088
QR70035300-08	353.00	7.00	NBR	QR-1495
QR53335400-11	354.00	5.33	NBR	QR-593
QR53335497-64	354.97	5.33	FKM	QR-1077
QR35335519-32	355.19	3.53	EPDM	QR-524
QR70036770-08	367.70	7.00	NBR	QR-575
QR70036900-64	369.00	7.00	FKM	QR-847
QR70037500-08	375.00	7.00	NBR	QR-983
QR53338037-08	380.37	5.33	NBR	QR-1418
QR69938037-08	380.37	6.99	NBR	QR-903
QR70038037-R1	380.37	7.00	NBR	QR-769
QR70038300-08	383.00	7.00	NBR	QR-586

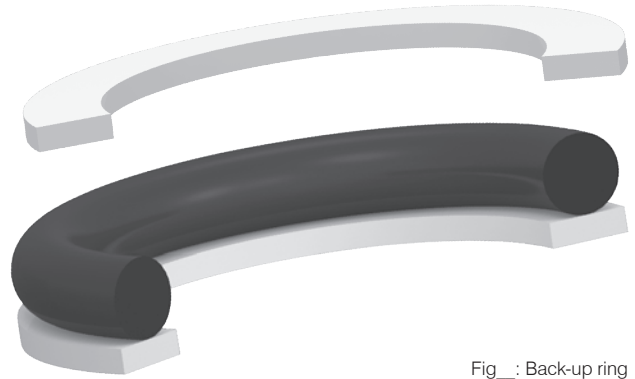
Bold sizes are readily available in stock.

Other materials are available on request.

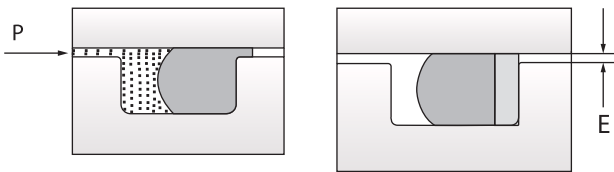
Part No.	d	c/s	Material	Mould No.
QR70038300-R1	383.00	7.00	FSL-2	QR-663
QR84038345-08	383.45	8.40	NBR	QR-1204
QR53339000-08	390.00	5.33	NBR	QR-1211
QR75039300-67	393.00	7.50	FKM	QR-521
QR69939307-08	393.07	6.99	NBR	QR-1421
QR69939307-64	393.07	6.99	FKM	QR-1426
QR69039310-08	393.10	6.90	NBR	QR-576
QR70039850-08	398.50	7.00	NBR	QR-353
QR53340526-08	405.26	5.33	NBR	QR-694
QR53340526-D6	405.26	5.33	HNBR	QR-1375
QR70040600-08	406.00	7.00	NBR	QR-946
QR35304200-08	420.00	3.53	NBR	QR-1015
QR69942200-08	422.00	6.99	NBR	QR-844
QR70043066-08	430.66	7.00	NBR	QR-956
QR69943800-08	438.00	6.99	NBR	QR-1010
QR35304400-08	440.00	3.53	NBR	QR-1031
QR53344000-08	440.00	5.33	NBR	QR-959
QR69944336-34	443.36	6.99	EPDM	QR-696
QR67044500-08	445.00	6.70	NBR	QR-728
QR53345606-08	456.06	5.33	NBR	QR-1469
QR69946876-08	468.76	6.99	NBR	QR-937
QR70046876-R1	468.76	7.00	NBR	QR-763
QR35304700-08	470.00	3.53	NBR	QR-1017
QR53348146-08	481.46	5.33	NBR	QR-1102
QR70048200-32	482.00	7.00	EPDM	QR-780
QR67048500-08	485.00	6.70	NBR	QR-729

Part No.	d	c/s	Material	Mould No.
QR70048600-08	486.00	7.00	NBR	QR-989
QR35305200-08	520.00	3.53	NBR	QR-1016
QR69952150-08	521.50	6.99	NBR	QR-845
QR35305700-08	570.00	3.53	NBR	QR-1030
QR70057000-08	570.00	7.00	NBR	QR-761
QR70057000-R1	570.00	7.00	FSL-2	QR-825
QR80058000-64	580.00	8.00	FKM	SLO-733
QR70058200-08	582.00	7.00	NBR	QR-835
QR70058200-R1	582.00	7.00	NBR/FABRIC	QR-664
QR69965887-11	658.87	6.99	NBR	QR-1328
QR70067000-R1	670.00	7.00	SILICON	QR-831
QR70067000-08	670.00	7.00	NBR	QR-736
QR70068500-R1	685.00	7.00	SILICON	QR-665
QR10068500-08	685.00	10.00	NBR	QR-999
QR70073500-08	735.00	7.00	NBR	QR-896
QR10074500-08	745.00	10.00	NBR	QR-1041
QR75075400-08	754.00	7.50	NBR	QR-638
QR80075400-08	754.00	8.00	NBR	QR-639
QR70076500-R1	765.00	7.00	NBR/FABRIC	QR-832
QR70076500-08	765.00	7.00	NBR	QR-751
QR10086000-08	860.00	10.00	NBR	QR-1096
QR70086500-08	865.00	7.00	NBR	SLO-691
QR70086500-R1	865.00	7.00	FSL	QR-893
QR10096000-64	960.00	10.00	FKM	SLO-401
QR10096000-08	960.00	10.00	NBR	QR-898

If the pressure exceeds the recommended level or if the gap is larger than recommended, the O-ring should be supplied with a back-up ring to prevent the extrusion into the gap and consequential damage to the O-Ring. A back-up ring is a ring of hard, extrusion resistant material such as high durometer nitrile, nylon, Hytrel, Polyurethane, or PTFE. These are primarily used in conjunction with O-Rings in high-pressure applications for support or as spacers. They are flat, concave section elements with a cross-section, and on request, spiral rings can be supplied for very specific working conditions, such as sudden temperature fluctuations. Even if the ring shrinks, there is always a spiral protecting the O-ring from extrusion.



Fig__ : Back-up ring



When selecting a back-up ring, the following three points must be taken care:

- The inner dimension of the ring, or the outer dimension of the shaft on which the back-up rings will be applied.
- Radial cross-section of the seal.
- Ring thickness, or the axial width of the cross-section of the ring.

TYPES OF BACK-UP RINGS

Max Type	Description	Seal Profile	Material	Temp. Range
T01	Endless back-up ring		NBR Nylon PU Hytrel PTFE	-30°C to +100°C -30°C to +100°C -40°C to +80°C -30°C to +100°C -250°C to +250°C
T01	Obliq cut back-up ring		NBR Nylon PU Hytrel PTFE	-30°C to +100°C -30°C to +100°C -40°C to +80°C -30°C to +100°C -250°C to +250°C
T02	Spiral back-up ring		PTFE	-250°C to +250°C
T03	Grooved back-up ring		NBR Nylon PU Hytrel PTFE	-30°C to +100°C -30°C to +100°C -40°C to +80°C -30°C to +100°C -250°C to +250°C

INTRODUCTION

COMPANY:
 ADDRESS :
 CITY: STATE: COUNTRY:
 CONTACT PERSON: DESIGNATION : PIN CODE:
 PHONE NO: E-MAIL:

NAME OF THE EQUIPMENT :- PRODUCT TYPE :-

MAX SPARE TYPE :- O-RING QUAD-RING® BACKUP-RING

APPLICATION :- OUTER SEALING INNER SEALING FACE SEALING

PRESSURE : MINIMUM OPERATING MAXIMUM TEMPERATURE : MINIMUM OPERATING MAXIMUM
 bar bar bar °C °C °C

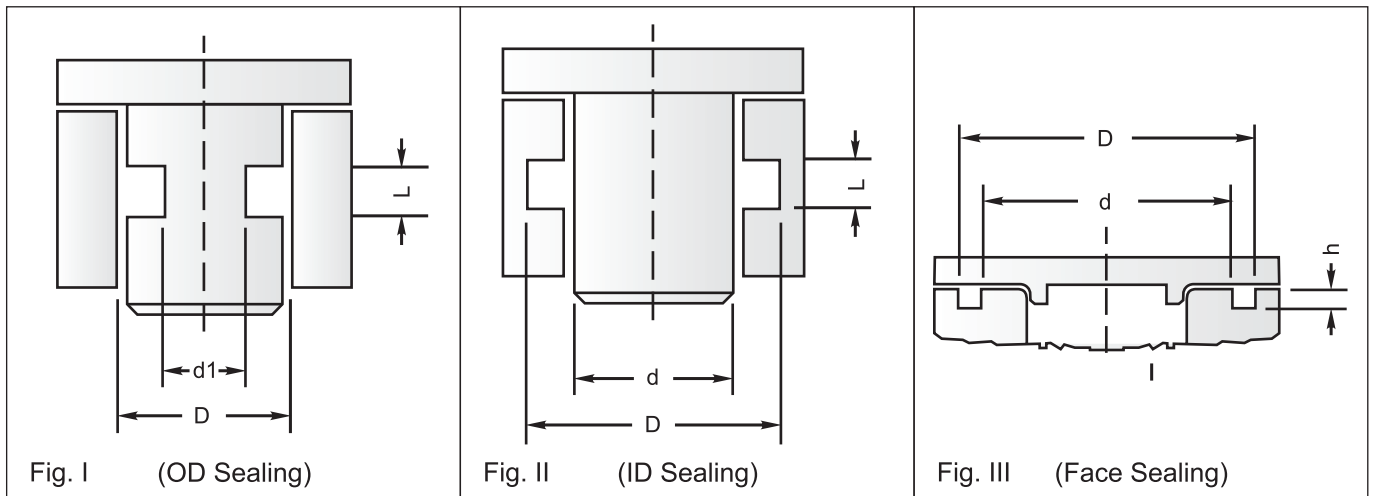
EQUIPMENT CONDITION IN SEALING AREA : SMOOTH SCORED PITTED

LENGTH OF STROKE (For QUAD-RING®) :- SEALING AREA :

NOMINAL DIMENSIONS DETAILS (For O-Ring & Quad-Ring®) :-

(Refer Figure I, II & III)

OUTER SEALING :- D (CYL. BORE) d1 (GROOVE DIA) L (GROOVE WIDTH)
 INNER SEALING :- d (ROD DIA) D (HOUSING DIA) L (GROOVE WIDTH)
 FACE SEALING :- d D h (GROOVE DEPTH)



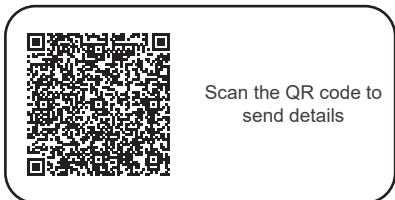
BACKUP RING REQD : YES NO

REQD. FOR :- FIG. I FIG. II

STYLE :- SINGLE B/U RING (EBU/BU) SPIRAL B/U RING (ESBU)

TYPE :- SPLIT ENDLESS

QTY.





MAX GROUP COMPANIES



MAX SPARE LIMITED

Oil Seal House, A-403,
Road No. 28, Wagle Estate,
Thane (W) - 400604. INDIA.
T : +91-22-5028 4444
E : sales@maxspare.com
W : www.maxspare.com



UNITED VAN DER HORST LIMITED

E-29/30, MIDC Talaja,
Navi Mumbai - 410208. Maharashtra, INDIA
T : +91 22 27412728 / 29
E: sales@uvdhl.com
W: www.uvdhl.com



NIRLON V-BELT

Survey No. 50, Hissa No. 1,2,3B/2B,
Dahivali, Pali Phata, Khopoli, Tal. Khalapur,
Dist. Raigad, Maharashtra - 410203
T : +91-22-5028 4444
E : sales@maxspare.com
W : www.maxspare.com



THE RUBBER PRODUCTS LIMITED

C-44, Road No. 28, Wagle Industrial Estate,
Thane - 400604. Maharashtra, INDIA
T : +91-22-5028 4444
E: rpl@rubpro.com
W: www.rubpro.com



ویرا پرداز آروین پاسارگاد

با مدیریت خانم مهندس احمدی



جهت مشاوره

با کارشناسان فنی

با ما در ارتباط باشید



021 - 91001377



0935 125 90 98