



ویرا پرداز آروین پاسارگاد

با مدیریت خانم مهندس احمدی



جهت مشاوره

با کارشناسان فنی

با ما در ارتباط باشید



021 - 91001377



0935 125 90 98

NBR Bearings

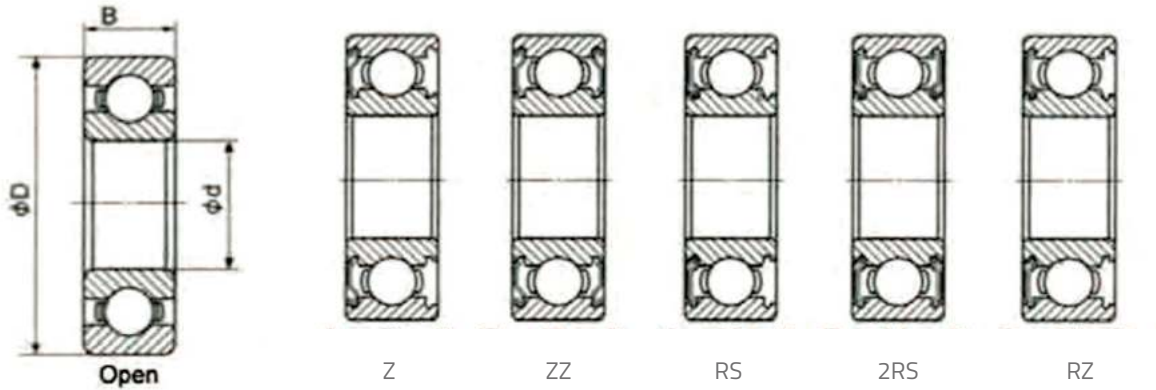


NBR BEARINGS

Deep Groove Ball Bearings	8.1.6	SER200 Series	8.1.33
6000 Series	8.1.6	NA200 Series	8.1.34
6200 Series	8.1.7	NA200 Triple Lip Series	8.1.34
6300 Series	8.1.7	U000 Silver Series (Extra Light Duty)	8.1.35
16000 Series	8.1.8	U000ER Silver Series (Extra Light Duty)	8.1.35
6800 Series	8.1.8		
6900 Series	8.1.9	Bearing Housings	8.1.36
600, 620 & 630 Series	8.1.9	P200 Series (Light Duty)	8.1.36
680 & 690 Series	8.1.10	P300 Series (Heavy Duty)	8.1.37
6200 Series - Non Standard Bore	8.1.11	F200 Series (Light Duty)	8.1.38
R Series	8.1.11	F300 Series (Heavy Duty)	8.1.39
RLS Series	8.1.12	FL200 Series (Light Duty)	8.1.40
RMS Series	8.1.12	FD200 Series (Light Duty)	8.1.40
Angular Contact Ball Bearings	8.1.13	T200 Series (Light Series)	8.1.41
7000 Series	8.1.13	LF200 Series	8.1.41
7200 Series	8.1.13	PA200 Series	8.1.42
7300 Series	8.1.14	FA200 Series	8.1.42
Double Row Angular Contact Ball Bearings	8.1.15	HA200 Series	8.1.43
5200 Series	8.1.15	FB200 Series	8.1.43
5300 Series	8.1.15	SBH200 Series	8.1.44
Thrust Ball Bearings	8.1.16	FC200 Series (Light Duty)	8.1.44
51100 Series	8.1.16	C200 Series	8.1.45
51200 Series	8.1.16	PX00 Series (Medium Duty)	8.1.46
51300 Series	8.1.17	FX00 Series (Medium Duty)	8.1.47
Self Aligning Ball Bearings	8.1.18	FCX00 Series (Medium Duty)	8.1.48
2200 Series	8.1.18	FCT200 Series	8.1.48
2300 Series	8.1.18	P000 Silver Series (Extra Light Duty)	8.1.49
Tapered Roller Bearings - Metric	8.1.19	FL000 Silver Series (Extra Light Duty)	8.1.49
30200 Series	8.1.19	PFL200 Pressed Metal Series	8.1.50
30300 Series	8.1.19	PFT200 Pressed Metal Series	8.1.50
32000X Series	8.1.20	PP200 Pressed Metal Series	8.1.51
32200 Series	8.1.20	PF200 Pressed Metal Series	8.1.51
Trailer Bearing Kits	8.1.21	Bearings & Housings Units	8.1.52
Tapered Roller Bearings - Imperial	8.1.21	UFL000 Silver Series (KFL)	8.1.52
Bearing Inserts	8.1.22	UFL000ER Silver Series (KFL)	8.1.52
CS200 Series	8.1.22	UCP200 Series	8.1.53
UC200 Series (Light Duty)	8.1.23	UCF200 Series	8.1.54
UC200 Series (Light Duty)	8.1.24	UCFL200 Series	8.1.55
UC300 Series (Heavy Duty)	8.1.25	UP000 Silver Series	8.1.56
UC200 Triple Lip Series	8.1.26	UP000ER Silver Series	8.1.56
UK200 Series (Light Duty)	8.1.27		
UK300 Series (Heavy Duty)	8.1.28		
UCX00 Series (Medium Duty)	8.1.29		
SA200 Series	8.1.30		
SB200 Series	8.1.31		
CSA200 Series	8.1.32		

Agricultural Bearings	8.1.57	HE2300 Series	8.1.85
Deep Groove Hex Bore Ball Bearings	8.1.57	Lock Nuts & Tab Washers	8.1.86
Deep Groove Round Bore Ball Bearings	8.1.58	KM & MB Series	8.1.86
Disc Harrow Bearings -Round Bore Non-Greaseable	8.1.59	Steel Balls	8.1.87
Disc Harrow Bearings -Round Bore Greaseable	8.1.60	Chrome Steel Balls	8.1.87
Disc Harrow Bearings -Square Bore Non-Greaseable	8.1.61	Stainless Steel Balls	8.1.88
Disc Harrow Bearings -Square Bore Greaseable	8.1.62	Bearing Accessories	8.1.89
Disc Harrow Bearings -Hex Bore Non-Greaseable	8.1.64	Spacer Rings	8.1.89
Disc Harrow Bearings -Hex Bore Greaseable	8.1.64	U-Seals	8.1.89
Disc Harrow Bearings -Disc Harrow Units	8.1.65	Rubber Inserts for Pressed Metal Housings	8.1.89
Plummer Block Housings	8.1.66	Open Caps for Thermoplastic Housings	8.1.89
SN500 Series	8.1.66	Back Seals for Thermoplastic Housings	8.1.89
SNK500 Series	8.1.67	End Caps for Plummer Block Housings	8.1.89
FCM Series	8.1.68	TSNG Seals for SNK Plummer Block Housings	8.1.89
Bearing & Housings Chart	8.1.69	V Rings for Plummer Block Housings	8.1.89
TSNG Seals for SNK Plummer Block Housings	8.1.69	Dust Cap to suit 45mm/1-3/4 Axle	8.1.89
Unground Bearings	8.1.70	Interchange Chart	8.1.90
Unground / Semi Precision Bearings	8.1.70	Tapered Roller Bearings	8.1.90
Water Pump Bearing	8.1.70	Deep Groove Ball Bearings - Imperial	8.1.91
Stainless Steel Ball Bearings	8.1.71	Disc Harrow Bearings	8.1.93
6000 Stainless Steel Series	8.1.71	WIR Bearings	8.1.95
6200 Stainless Steel Series	8.1.71	Bore Size Cross Reference	8.1.95
6300 Stainless Steel Series	8.1.71	WIR Housings	8.1.97
6800 Stainless Steel Series	8.1.72		
6900 Stainless Steel Series	8.1.72		
600 & 620 Stainless Steel Series	8.1.72		
Stainless Steel Bearing Inserts	8.1.73		
UC200 Stainless Steel Series	8.1.73		
SB200 Stainless Steel Series	8.1.74		
Stainless Steel Bearing Housings	8.1.75		
P200 Stainless Steel Series	8.1.75		
F200 Stainless Steel Series	8.1.75		
FL200 Stainless Steel Series	8.1.76		
T200 Stainless Steel Series	8.1.76		
FB200 Stainless Steel Series	8.1.77		
Thermoplastic Bearing Housings	8.1.78		
PL-P200 Series	8.1.78		
PL-F200 Series	8.1.78		
PL-FL200 Series	8.1.79		
PL-T200 Series	8.1.79		
PL-PA200 Series	8.1.80		
PL-FB200 Series	8.1.80		
Adapter Sleeves	8.1.81		
H200 Series	8.1.81		
H300 Series	8.1.81		
H2300 Series	8.1.82		
H3000 Series	8.1.83		
H3100 Series	8.1.83		
HE200 Series	8.1.84		
HE300 Series	8.1.84		

6000 Series



Part No.	d	D	B	Dynamic load (kN)	Static load (kN)	N.W. (kg)	
6000 - ZZ	6000-2RS	10	26	8	3.83	1.66	0.019
6001 - ZZ	6001-2RS	12	28	8	4.29	2.01	0.023
6002 - ZZ	6002-2RS	15	32	9	4.71	2.39	0.032
6003 - ZZ	6003-2RS	17	35	10	5.06	2.73	0.039
6004 - ZZ	6004-2RS	20	42	12	7.91	4.21	0.07
6005 - ZZ	6005-2RS	25	47	12	8.51	4.93	0.079
6006 - ZZ	6006-2RS	30	55	13	11.09	6.97	0.117
6007 - ZZ	6007-2RS	35	62	14	13.42	8.6	0.156
6008 - ZZ	6008-2RS	40	68	15	14.1	9.63	0.194
6009 - ZZ	6009-2RS	45	75	16	17.54	12.73	0.246
6010 - ZZ	6010-2RS	50	80	16	18.32	13.93	0.264
6011 - ZZ	6011-2RS	55	90	18	23.82	17.89	0.384
6012 - ZZ	6012-2RS	60	95	18	24.77	19.52	0.418
6013 - ZZ	6013-2RS	65	100	18	25.63	21.16	0.438
6014 - ZZ	6014-2RS	70	110	20	31.99	26.06	0.607
6015 - ZZ	6015-2RS	75	115	20	33.28	28.21	0.645
6016 - ZZ	6016-2RS	80	125	22	39.99	33.28	0.855
6017 - ZZ	6017-2RS	85	130	22	41.71	36.21	0.895
6018 - ZZ	6018-2RS	90	140	24	48.85	41.71	1.17
6019 - ZZ	6019-2RS	95	145	24	50.91	45.49	1.22
6020 - ZZ	6020-2RS	100	150	24	50.57	45.49	1.26

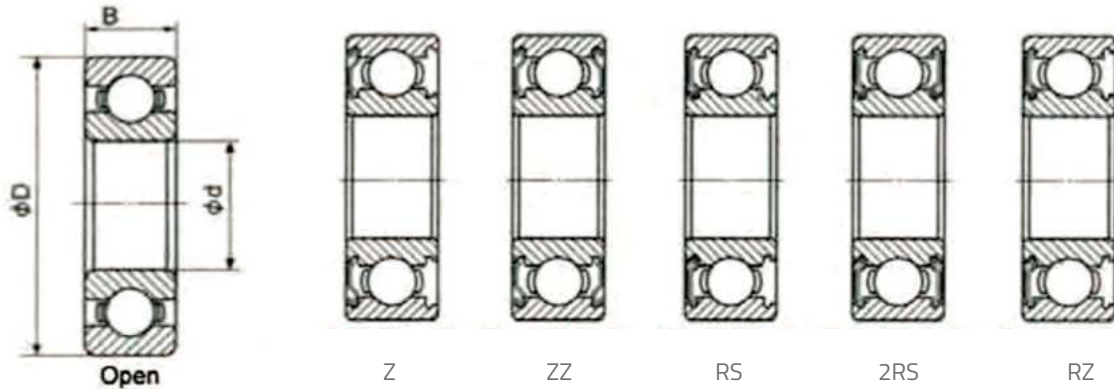
6200 Series

Part No.		d	D	B	Dynamic load (kN)	Static load (kN)	N.W. (kg)
6200-2Z	6200-2RS	10	30	9	4.29	2.01	0.032
6201-2Z	6201-2RS	12	32	10	5.73	2.56	0.037
6202-2Z	6202-2RS	15	35	11	6.44	3.11	0.045
6203-2Z	6203-2RS	17	40	12	8.04	4.04	0.065
6204-2Z	6204-2RS	20	47	14	10.78	5.56	0.106
6205-2Z	6205-2RS	25	52	15	11.8	6.66	0.128
6206-2Z	6206-2RS	30	62	16	16.43	9.46	0.199
6207-2Z	6207-2RS	35	72	17	21.67	12.81	0.288
6208-2Z	6208-2RS	40	80	18	24.51	15.05	0.366
6209-2Z	6209-2RS	45	85	19	27.35	17.2	0.407
6210-2Z	6210-2RS	50	90	20	29.5	19.52	0.463
6211-2Z	6211-2RS	55	100	21	36.64	24.68	0.607
6212-2Z	6212-2RS	60	110	22	44.2	30.27	0.783
6213-2Z	6213-2RS	65	120	23	47.99	33.71	0.99
6214-2Z	6214-2RS	70	125	24	52.2	37.07	1.07
6215-2Z	6215-2RS	75	130	25	55.56	41.71	1.18
6216-2Z	6216-2RS	80	140	26	61.06	44.63	1.4
6217-2Z	6217-2RS	85	150	28	70.78	52.2	1.79
6218-2Z	6218-2RS	90	160	30	80.84	60.2	2.15
6219-2Z	6219-2RS	95	170	32	91.85	68.63	2.62
6220-2Z	6220-2RS	100	180	34	102.77	78.35	3.14

6300 Series

Part No.		d	D	B	Dynamic load (kN)	Static load (kN)	N.W. (kg)
6300-2Z	6300-2RS	10	35	11	6.8	2.9	0.053
6301-2Z	6301-2RS	12	37	12	8.19	3.57	0.06
6302-2Z	6302-2RS	15	42	13	11.76	4.54	0.082
6303-2Z	6303-2RS	17	47	14	11.42	5.5	0.115
6304-2Z	6304-2RS	20	52	15	13.36	6.64	0.144
6305-2Z	6305-2RS	25	62	17	19.82	10.16	0.232
6306-2Z	6306-2RS	30	72	19	22.43	12.6	0.346
6307-2Z	6307-2RS	35	80	21	28.14	16.13	0.457
6308-2Z	6308-2RS	40	90	23	34.02	20.24	0.633
6309-2Z	6309-2RS	45	100	25	44.52	26.88	0.833
6310-2Z	6310-2RS	50	110	27	52.08	31.92	1.07

16000 Series



Part No.	d	D	B	Dynamic load (kN)	Static load (kN)	N.W. (kg)
16000-2RS	10	26	7	0A	0A	0.01
1-2RS	12	28	7	5.1	2.37	0.02
16002-2RS	15	32	8	5.6	2.84	0.025
16003-2RS	17	35	8	6	3.25	0.032
16004-2RS	20	42	8	7.9	4.5	0.05
16005-2RS	25	47	8	6.95	4.6	0.06
16006-2RS	30	55	9	9.95	6.55	0.085
16007-2RS	35	62	9	11.7	8.15	0.11
16008-2RS	40	68	9	11.1	8.55	0.125

6800 Series

Part No.	d	D	B	Dynamic load (kN)	Static load (kN)	N.W. (kg)
6800-2RS	10	19	5	2.12	0.99	0.005
6801-2RS	12	21	5	1.92	1.04	0.006
6802-2RS	15	24	5	2.08	1.26	0.007
6803-2RS	17	26	5	2.63	1.57	0.008
6804-2RS	20	32	7	4	2.64	0.019
6805-2RS	25	37	7	4.3	2.94	0.022
6806-2RS	30	42	7	5.35	3.8	0.026
6807-2RS	35	47	7	4.75	3.8	0.029
6808-2RS	40	52	7	5.95	4.9	0.033
6809-2RS	45	58	7	5.35	4.9	0.04
6810-2RS	50	65	7	6.4	5.8	0.052
6811-2RS	55	72	9	8.8	8.1	0.083
6812-2RS	60	78	10	10.35	10.18	0.103
6813-2RS	65	85	10	11.9	11.5	0.125
6814-2RS	70	90	10	12.1	11.9	0.135
6815-2RS	75	95	10	1.25	1.28	0.145

6900 Series

Part No.	d	D	B	Dynamic load (kN)	Static load (kN)	N.W. (kg)
6900-2RS	10	22	6	2.49	1.13	0.009
6901-2RS	12	24	6	2.7	1.32	0.011
6902-2RS	15	28	7	4.3	2.25	0.016
6903-2RS	17	30	7	4.6	2.55	0.018
6904-2RS	20	37	9	6.35	3.7	0.036
6905-2RS	25	42	9	7	4.5	0.042
6906-2RS	30	47	9	7.25	5	0.045
6907-2RS	35	55	10	10.4	7.15	0.073
6908-2RS	40	62	12	13.7	9.95	0.108
6909-2RS	45	68	12	14.1	10.9	0.122
6910-2RS	50	72	12	14.5	11.7	0.125
6911-2RS	55	80	13	16	13.2	0.177
6912-2RS	60	85	13	15.2	13.5	0.191
6913-2RS	65	90	13	17.4	16	0.2
6914-2RS	70	100	16	23.7	21.1	0.327
6915-2RS	75	105	16	24.3	22.5	0.345

600, 620 & 630 Series

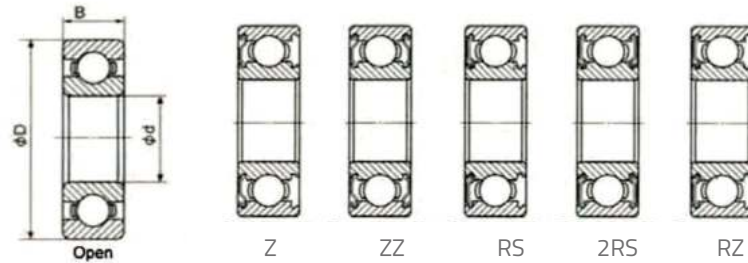
Part No.	d	D	B	Dynamic load (kN)	Static load (kN)	N.W. (kg)	
604-2Z	604-2RS	4	12	4	0.97	0.36	0.002
605-2Z	605-2RS	5	14	5	1.33	0.51	0.004
606-2Z	606-2RS	6	17	6	1.51	0.73	0.006
607-2Z	607-2RS	7	19	6	2.24	0.91	0.008
608-2Z	608-2RS	8	22	7	3.35	1.4	0.012
609-2Z	609-2RS	9	24	7	2.58	1.25	0.012
623-2Z	623-2RS	3	14	4	0.53	0.18	0.002
624-2Z	624-2RS	4	13	5	1.1	0.41	0.003
625-2Z	625-2RS	5	16	5	1.48	0.57	0.005
626-2Z	626-2RS	6	19	6	1.94	0.73	0.008
627-2Z	627-2RS	7	22	7	3.27	1.17	0.013
628-2Z	628-2RS	8	24	8	3.07	1.56	0.012
629-2Z	629-2RS	9	26	8	3.78	1.63	0.02
634-2Z	634-2RS	4	16	5	1.48	0.55	0.005
635-2Z	635-2RS	5	19	6	1.78	0.85	0.009
636-2Z	636-2RS	6	22	7	2.75	0.28	0.008
638-2Z	638-2RS	8	28	9	3.83	1.66	0.028

680 & 690 Series

Part No.		d	D	B	Dynamic load (lbs)	Static Co (lbs)	N.W. (Kkg)
683-2Z	683-2RS	3	7	3	35	13	*
684-2Z	684-2RS	4	9	4	81	37	0.00045
685-2Z	685-2RS	5	11	5	123	57	0.00136
686-2Z	686-2RS	6	13	5	187	90	0.00181
687-2Z	687-2RS	7	14	5	202	103	0.00181
688-2Z	688-2RS	8	16	5	235	120	0.00318
689-2Z	689-2RS	9	17	5	229	128	0.00590
693-2Z	693-2RS	3	8	4	64	24	*
694-2Z	694-2RS	4	11	4	123	57	0.00181
695-2Z	695-2RS	5	13	4	187	90	0.00227
696-2Z	696-2RS	6	15	5	231	110	0.00408
697-2Z	697-2RS	7	17	5	235	120	0.11510
698-2Z	698-2RS	8	19	6	285	145	0.00667
699-2Z	699-2RS	9	20	6	310	160	0.00739

* Weight less than 0.00045 kg

6200 Series - Non Standard Bore



Part No.	d (Inch)	d (mm)	D	B	Dynamic load (lbs)	Static load (lbs)	N.W. (lbs)
6202-1/2-2RS	1/2	12.7	35	11	1050	595	0.082
6202-5/8-2RS	5/8	15.875	35	11	1340	775	0.090
6202-16-2RS	-	16	35	11	1340	775	0.090
6203-16-2RS	16	16	40	12	1660	985	0.150
6203-1/2-2RS	1/2	12.7	40	12	-	-	-
6203-5/8-2RS	5/8	15.875	40	12	1660	985	0.150
6203-3/4-2RS	3/4	19.05	40	12	1660	985	0.140
6204-5/8-2RS	5/8	15.875	47	14	-	-	-
6204-3/4-2RS	3/4	19.05	47	14	2200	1390	0.236
6005-1-2RS	1	25.4	47	12	-	-	-
6205-3/4-2RS	3/4	19.05	52	15	-	-	-
6205-1-2RS	1	25.4	52	15	2400	1560	0.280

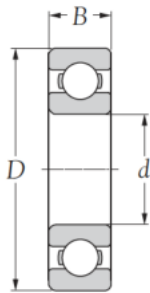
R Series

Part No.	d (Inch)	d (mm)	D (Inch)	D (mm)	B (Inch)	B (mm)	Dynamic Load (N)	Static Load (N)	
R2-2RS	R2-2Z	1/8	3.175	3/8	9.525	5/32	3.9688	631	219
R3-2RS	R3-2Z	3/16	4.763	1/2	12.7	13/64	3.159	1301	488
R4-2RS	R4-2Z	1/4	6.350	5/8	0.625	13/64	3.159	1480	621
R4A-2RS	R4A-2Z	1/4	6.350	3/4	19.05	7/32	5.556	1120	885
R6-2RS	R6-2Z	3/8	9.525	7/8	22.225	9/32	7.143	3332	1422
R8-2RS	R8-2Z	1/2	12.7	1-1/8	25.575	5/16	7.938	5108	2413
R10-2RS	R10-2Z	5/8	15.875	1-3/8	34.925	11/32	8.731	5988	3287
R12-2RS	R12-2Z	3/4	19.05	1-5/8	41.2575	7/16	11.113	9378	5057
EE7-2RS	EE7-2Z	3/4	19.05	1-3/4	44.45	1/2	12.7	9385	5065
R14-2RS	R14-2Z	7/8	22.225	1-7/8	47.625	1/2	12.7	10055	5855
R16-2RS	R16-2Z	1	25.4	2	50.8	1/2	12.7	10055	5855
R18-2RS	R18-2Z	1-1/8	25.575	2-1/8	53.975	1/2	12.7	12230	6587
R20-2RS	R20-2Z	1-1/4	31.75	2-1/4	57.15	1/2	12.7	13225	8265

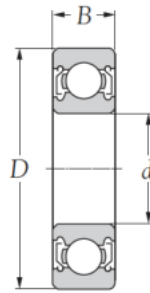
Deep Groove Ball Bearings

RLS Series

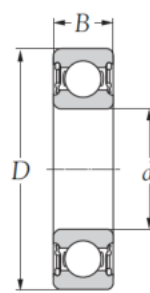
Bearing No.	d (Inch)	d (mm)	D (Inch)	D (mm)	B (Inch)	B (mm)	Dynamic Load (N)	Static Load (N)
RLS4-2RS	1/2	12.7	1-15/16	33.338	3/8	9.525	6820	3050
RLS5-2RS	5/8	15.875	1-9/16	39.688	7/16	11.112	7650	3720
RLS6-2RS	3/4	19.05	1-7/8	47.625	9/16	14.288	12800	6650
RLS7-2RS	7/8	22.225	2	50.8	9/16	14.288	12800	6650
RLS8-2RS	1	25.4	2-1/4	57.15	5/8	15.875	14000	7880
RLS9-2RS	1-1/8	28.575	2-1/2	63.5	5/8	15.875	19500	10000
RLS10-2RS	1-1/4	31.750	2-3/4	69.85	11/16	17.462	22500	11800
RLS11-2RS	1-3/8	34.925	3	76.2	11/16	17.472	25500	13700
RLS12-2RS	1-1/2	38.1	3-1/4	82.55	3/4	19.05	30700	16600
RLS14-2RS	1-3/4	44.45	3-3/4	95.25	13/16	20.64	35100	19600
RLS16-2RS	2	50.8	4	101.6	13/16	20.64	43600	25000



Open



Shielded type
(ZZ)



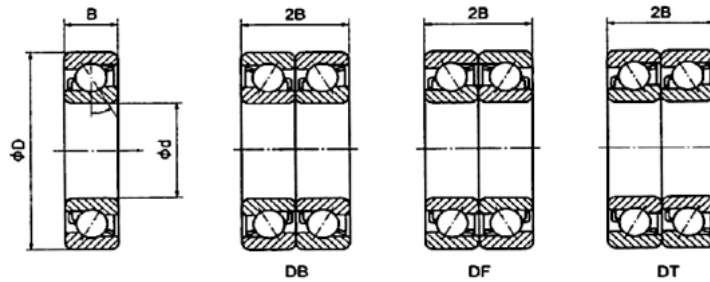
Sealed type
(2RS)



RMS Series

Bearing No.	d (Inch)	d (mm)	D (Inch)	D (mm)	B (Inch)	B (mm)	Dynamic Load (N)	Static Load (N)
RMS4-2RS	1/2	12.7	1-5/8	41.275	5/8	15.875	10500	5420
RMS5-2RS	5/8	15.875	1-13/16	46.038	5/8	15.875	13500	6550
RMS6-2RS	3/4	19.05	2	50.8	11/16	17.462	15900	7800
RMS7-2RS	7/8	22.225	2-1/4	57.15	11/16	17.462	18600	9150
RMS8-2RS	1	25.4	2-1/2	63.5	3/4	19.05	22500	11400
RMS9-2RS	1-1/8	28.575	2-13/16	71.438	13/16	20.638	28100	14600
RMS10-2RS	1-1/4	31.750	3-1/8	79.375	7/8	22.225	33200	18000
RMS11-2RS	1-3/8	34.925	3-1/2	88.9	7/8	22.225	41000	22400
RMS12-2RS	1-1/2	38.1	3-3/4	95.25	15/16	23.81	41000	22400

7000 Series

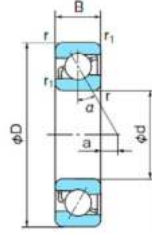


Part No.	d	D	B	Dynamic load (kN)	Static load (kN)	N.W. (kg)
7000A	10	26	8	5	2.3	0.022
7001A	12	28	8	5.1	2.8	0.024
7002A	15	32	9	6.2	3.4	0.035
7003A	17	35	10	6.5	3.9	0.045
7004A	20	42	12	11	6.1	0.08
7005A	25	47	12	11.3	7.4	0.091
7006A	30	55	13	14.5	12	0.14
7007A	35	62	14	16	14	0.18
7008A	40	68	15	18.8	14.5	0.21
7009A	45	75	16	22.2	17.6	0.265
7010A	50	80	16	23.6	20	0.285
7011A	55	90	18	31	26.2	0.42
7012A	60	95	18	32	28	0.45

7200 Series

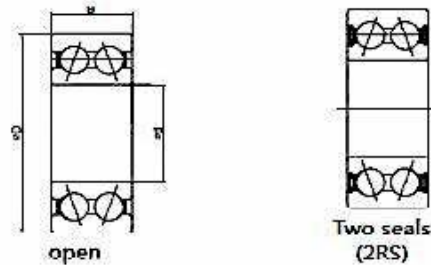
Part No.	d	D	B	Dynamic load (kN)	Static load (kN)	N.W. (kg)
7202B	15	35	11	8.6	4.5	0.048
7203B	17	40	12	11.3	6.3	0.07
7204B	20	47	14	13.7	7.9	0.11
7205B	25	52	15	15.3	9.7	0.135
7206B	30	62	13	21.2	13.9	0.21
7207B	35	72	17	28	19	0.295
7208B	40	80	18	33	23.7	0.38
7209B	45	85	19	37	27.1	0.43
7210B	50	90	20	38.5	29.6	0.485
7211B	55	100	21	48	37.5	0.635
7212B	60	110	22	58	46	0.82
7213B	65	120	23	66	54.5	1.02
7214B	70	125	24	71.5	59.5	1.12
7215B	75	130	25	74	64	1.23
7216A	80	140	26	79	68	1.5
7216B	80	140	26	83.5	71.5	1.5

7300 Series



Part No.	d	D	B	Dynamic load (kN)	Static load (kN)	N.W. (kg)
7302B	15	42	13	12.8	6.8	0.085
7303B	17	47	14	15.2	8.3	0.12
7304B	20	52	15	17.8	9.9	0.15
7305B	25	62	17	25.1	15.1	0.245
7306B	30	72	19	32	21	0.36
7307B	35	80	21	37.5	24.9	0.475
7308B	40	90	23	46	31	0.655
7309B	45	100	25	60	41.5	0.875
7310B	50	110	27	70.5	49.5	1.14
7311B	55	120	29	81	58	1.45
7312B	60	130	31	92.5	67.5	1.81
7313B	65	140	33	105	77.5	2.22
7314B	70	150	35	118	88.5	2.7
7315B	75	160	37	128	100	3.15

5200 Series

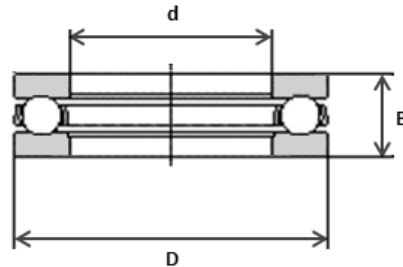


Part No.	d	D	B	Dynamic load (kN)	Static load (kN)	N.W. (kg)
5200-2RS	10	30	14.3	7.3	4	0.05
5201-2RS	12	32	15.9	10.7	5.9	0.06
5202-2RS	15	35	15.9	11.9	7.2	0.07
5203-2RS	17	40	17.5	15	9.3	0.09
5204-2RS	20	47	20.6	20	12.7	0.12
5205-2RS	25	52	20.6	21.8	15.1	0.19
5206-2RS	30	62	23.8	30.5	21.7	0.29
5207-2RS	35	72	27	40	29.5	0.43
5208-2RS	40	80	30.2	45.5	34	0.57
5209-2RS	45	85	30.2	51	39	0.62
5210-2RS	50	90	30.2	54.5	44.5	0.67
5211-2RS	55	100	33.3	67.5	56.5	0.96
5212-2RS	60	110	36.5	76	62	1.36
5213-2RS	65	120	38.1	89	77	1.66
5214-2RS	70	125	39.7	90.5	79.5	1.82
5215-2RS	75	130	41.3	96	85.5	1.91

5300 Series

Part No.	d	D	B	Dynamic load (kN)	Static load (kN)	N.W. (kg)
5302-2RS	15	42	19	-	-	-
5303-2RS	17	47	22.2	23.1	12.7	0.14
5304-2RS	20	52	22.2	21.7	13.3	0.23
5305-2RS	25	62	25.4	32	21.6	0.34
5306-2RS	30	72	30.2	41.5	29	0.51
5307-2RS	35	80	34.9	52	37	0.79
5308-2RS	40	90	36.5	63.5	46.5	1.05
5309-2RS	45	100	39.7	76.5	56.5	1.42
5310-2RS	50	110	44.4	90	68	1.93
5311-2RS	55	120	49.2	112	86.5	2.3
5312-2RS	60	130	54	128	101	3.16
5313-2RS	65	140	58.7	145	115	3.86
5314-2RS	70	150	63.5	163	132	4.88
5315-2RS	75	160	68.3	191	156	5.51

51100 Series

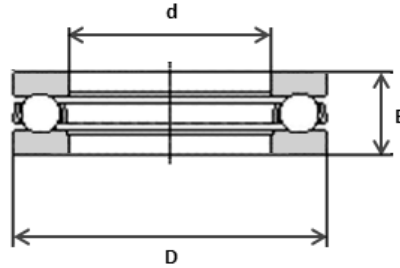


Part No.	d	D	B	Dynamic load (kN)	Static load (kN)	N.W. (kg)
51100	10	24	9	10	14	0.02
51101	12	26	9	10.3	15.4	0.022
51102	15	28	9	10.5	16.8	0.024
51103	17	30	9	10.8	18.2	0.028
51104	20	35	10	14.3	24.7	0.04
51105	25	42	11	19.5	37	0.059
51106	30	47	11	20.4	42	0.068
51107	35	52	12	20.4	44.5	0.085
51108	40	60	13	28.9	63	0.12
51109	45	65	14	27.8	69	0.15
51110	50	70	14	28.8	75.5	0.16
51111	55	78	16	-	-	0.17
51112	60	85	17	31.8	89.7	0.20
51113	65	90	18	41.5	117	0.34
51114	70	95	18	43	127	0.36

51200 Series

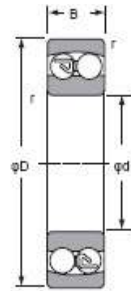
Part No.	d	D	B	Dynamic load (kN)	Static load (kN)	N.W. (kg)
51202	15	32	12	16.6	24.8	0.046
51203	17	35	12	17.1	27.3	0.053
51204	20	40	14	22.2	27.5	0.082
51205	25	47	15	27.8	50.5	0.12
51206	30	52	16	29.3	58	0.15
51207	35	62	18	39	78	0.22
51208	40	68	19	47	98.5	0.27
51209	45	73	20	47.5	105	0.32
51210	50	78	22	48.5	112	0.39
51211	55	90	25	69.5	159	0.61
51212	60	95	26	73.5	179	0.69
51213	65	100	27	75	189	0.77
51214	70	105	27	76	199	0.81
51215	75	110	27	77.5	209	0.86

51300 Series



Part No.	d	D	B	Dynamic load (kN)	Static load (kN)	N.W. (kg)
51305	25	52	18	35.5	61.5	0.18
51306	30	60	21	42.5	78.5	0.27
51307	35	68	24	55.5	105	0.39
51308	40	78	26	69	135	0.55
51309	45	85	28	80	182	0.69
51310	50	95	31	96.5	202	1
51311	55	105	35	120	246	1.34

2200 Series



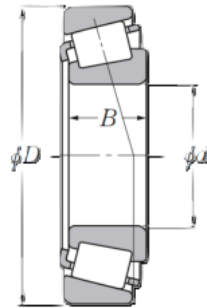
Cylindrical bore

Part No.	d	D	B	Dynamic load (kN)	Static load (kN)	N.W. (kg)
2200-2RS	10	30	14	7.4	1.6	0.047
2201-2RS	12	32	14	7.7	1.8	0.053
2202-2RS	15	35	14	7.7	1.9	0.06
2203-2RS	17	40	16	9.8	2.4	0.088
2204-2RS	20	47	18	12.6	3.3	0.14
2205-2RS	25	52	18	12.6	3.3	0.163
2206-2RS	30	62	20	15.6	4.7	0.26
2207-2RS	35	72	23	21.6	6.6	0.403
2208-2RS	40	80	23	22.4	7.4	0.505
2209-2RS	45	85	23	23.3	8.2	0.545
2210-2RS	50	90	23	23.3	8.5	0.59
2211-2RS	55	100	25	26.8	10	0.81
2212-2RS	60	110	28	34.1	12.6	1.09
2213-2RS	65	120	31	43.5	16.4	1.46

2300 Series

Part No.	d	D	B	Dynamic load (kN)	Static load (kN)	N.W. (kg)
2303-2RS	17	47	19	14.5	3.6	0.158
2304-2RS	20	52	21	18	4.7	0.209
2305-2RS	25	62	24	24.4	6.6	0.335
2306-2RS	30	72	27	31.4	8.8	0.5
2307-2RS	35	80	31	39.4	11.3	0.675
2308-2RS	40	90	33	44.9	13.5	0.925
2309-2RS	45	100	36	54.4	16.7	1.23
2310-2RS	50	110	40	64.6	20.3	1.64

30200 Series



Part No.	d	D	B	Dynamic load (kN)	Static load (kN)	N.W. (kg)
30202	15	35	11.75	14.5	15.8	0.053
30203	17	40	13.25	20.2	20.4	0.07
30204	20	47	15.25	29.5	30.5	0.12
30205	25	52	16.25	31.5	33.7	0.152
30206	30	62	17.25	43.5	48	0.22
30207	35	72	18.25	54.5	60.5	0.32
30208	40	80	19.75	63.5	70.5	0.42
30209	45	85	20.75	69.5	81.5	0.47
30210	50	90	21.75	79	96	0.53
30211	55	100	22.75	94.5	113	0.69
30212	60	110	23.75	104	123	0.86
30213	65	120	24.75	128	156	1.16
30214	70	125	26.25	138	173	1.3
30215	75	130	27.25	142	181	1.39

30300 Series

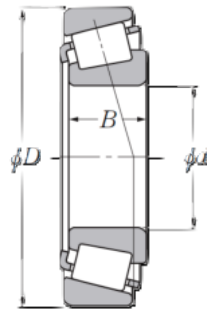
Part No.	d	D	B	Dynamic load (kN)	Static load (kN)	N.W. (kg)
30302	15	42	14.25	19.2	21.9	0.095
30303	17	47	15.25	27.6	30	0.13
30304	20	52	16.25	35	35.5	0.17
30305	25	62	18.25	48.2	46.9	0.265
30306	30	72	20.75	59.6	60.1	0.399
30307	35	80	22.75	76	79	0.54
30308	40	90	25.25	90.6	101	0.756
30309	45	100	27.25	113	128	0.999
30310	50	110	29.25	137	152	1.29
30311	55	120	31.5	148	170	1.56
30312	60	130	33.5	173	201	2.03
30313	65	140	36	204	239	2.52
30314	70	150	38	230	276	3.05
30315	75	160	40	250	297	3.52

32000X Series

Part No.	d	D	B	Dynamic load (kN)	Static load (kN)	N.W. (kg)
32004X	20	42	15	25.1	28.2	0.1
32005X	25	47	15	28	34	0.11
32006X	30	55	17	37.5	46.5	0.17
32007X	35	62	18	44.5	57.5	0.22
32008X	40	68	19	52.5	71.5	0.27
32009X	45	75	20	59.5	86	0.34
32010X	50	80	20	62	90.5	0.37
32011X	55	90	23	82.5	122	0.55
32012X	60	95	23	86.1	127	0.61
32013X	65	100	23	90	137	0.65
32014X	70	110	25	108	163	0.87
32015X	75	115	25	110	169	0.91

32200 Series

Part No.	d	D	B	Dynamic load (kN)	Static load (kN)	N.W. (kg)
32204	20	47	19.25	27.5	28	0.23
32205	25	52	19.25	32.5	35	0.18
32206	30	62	21.25	53	61.5	0.28
32207	35	72	24.25	70	86	0.43
32208	40	80	24.75	78	91.5	0.53
32209	45	85	24.75	83.5	102	0.58
32210	50	90	24.75	88.5	111	0.61
32211	55	100	26.75	110	137	0.83
32212	60	110	29.75	131	167	1.14
32213	65	120	32.75	156	200	1.5
32214	70	125	33.25	157	205	1.61
32215	75	130	33.25	165	221	1.7



Part No.	d	D	B	Dynamic load (kN)	Static load (kN)	N.W. (kg)
L44649/10	26.988	50.292	14.224	24.34	28.38	0.118
L68149/10	34.987	59.131	15.875	30.7	41.71	0.169
LM11749/10	17.462	39.878	13.843	19.78	20.12	0.081
LM11949/10	19.05	45.237	15.494	25.71	26.23	0.125
LM12749/10	21.986	45.237	15.494	30.1	34.6	0.11
LM48548/10	34.925	65.088	18.034	41.71	50.74	0.245
LM67048/10	31.75	59.131	15.875	31.39	37.41	0.182

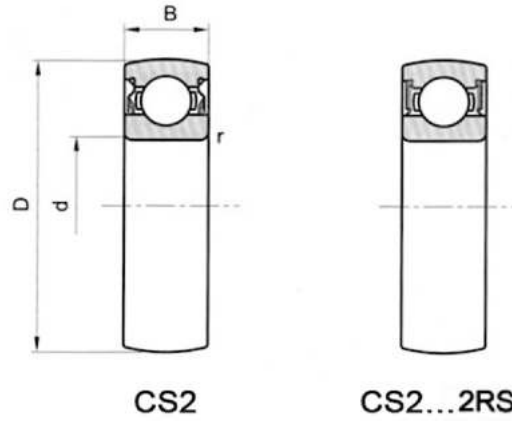
NB. Finer Power Transmissions P/L is transitioning into NBR Bearings. Unless NBR Bearings are specifically requested, any remaining PFB/TNC stock will be supplied.

Trailer Bearing Kits



NBR Trailer Bearing Kits (with Seagull Oil Seals)					
Type	Part	Bearings	Bearings	Seal	Split Pin
Ford Marine Kit	TBK-FM/ECO	Set 12	Set 13	PR6692	Yes
Holden Marine Kit	TBK-HM/ECO	Set 2	Set 6	PR6641	Yes
Ford Trailer Kit	TBK-FR/ECO	Set 12	Set 13	C610	Yes
Holden Marine Kit	TBK-HR/ECO	Set 2	Set 6	C609A	Yes

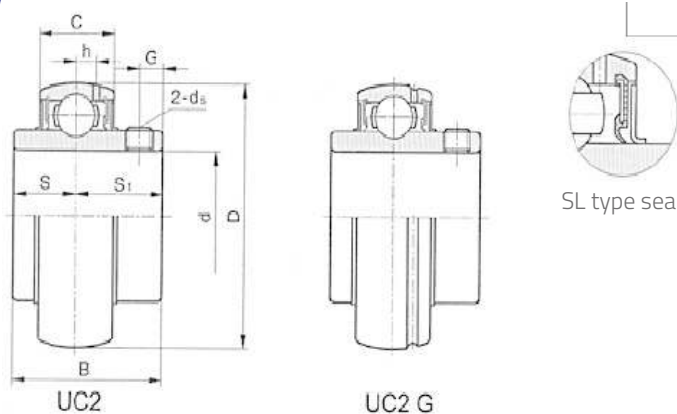
CS200 Series



Part No.	Dimensions (mm)			r(min.)	Basic Loads (KN)		N.W. (kg)
	d	D	B		Cr	Cor	
CS201-2RS	12	32	10	0.6	7.28	3.1	0.037
CS202-2RS	15	35	11	0.6	8.06	3.75	0.045
CS203-2RS	17	40	12	0.6	9.5	4.7	0.063
CS204-2RS	20	47	14	1	12.8	6.6	0.105
CS205-2RS	25	52	15	1	14	7.8	0.125
CS206-2RS	30	62	16	1	19.4	11.2	0.192
CS207-2RS	35	72	17	1.1	25.6	15.2	0.288
CS208-2RS	40	80	18	1.1	32.6	19.8	0.366
CS209-2RS	45	85	19	1.1	32.7	20.4	0.405
CS210-2RS	50	90	20	1.1	35	23.1	0.453

UC200 Series (Light Duty)

WIR both side with Grub Screw

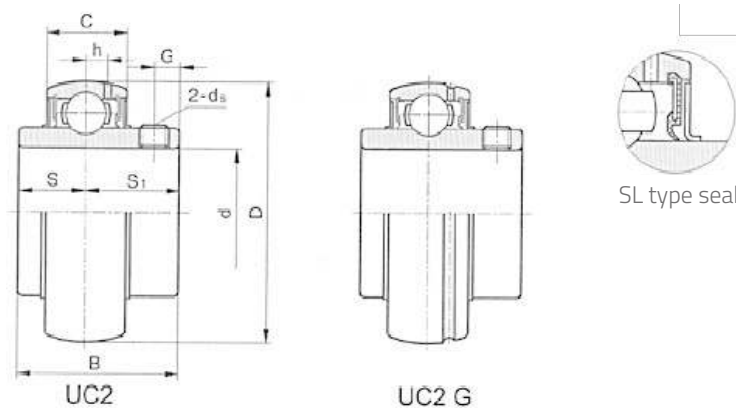


SL type seal

Part No.	Dimensions(mm / inch)									Basic Loads (KN)		N.W. (kg/lb)
	d (mm)	d (inch)	D	B	C	S	S1	G	h	Cr	Cor	
UC201	12	-	47	31	16	12.7	18.3	5	4	11	5.7	0.21
UC201-8	-	0.5	47	31	16	12.7	18.3	5	4	11	5.7	0.21
UC202	15	-	47	31	16	12.7	18.3	5	4	11	5.7	0.19
UC202-10	-	0.625	47	31	16	12.7	18.3	5	4	11	5.7	0.42
UC203	17	-	47	31	16	12.7	18.3	5	4	11	5.7	0.17
UC204	20	-	47	31	16	12.7	18.3	5	4	11	5.7	0.16
UC204-12	-	0.75	47	31	16	12.7	18.3	5	4	11	5.7	0.35
UC205	25	-	52	34.1	17	14.3	19.8	5.5	4.2	12	6.7	0.21
UC205-14	-	0.875	52	34.1	17	14.3	19.8	5.5	4.2	12	6.7	0.47
UC205-16	1	-	52	34.1	17	14.3	19.8	5.5	4.2	12	6.7	0.47
UC206	30	-	62	38.1	19	15.9	22.2	6	4.8	16.7	9.6	0.33
UC206-18	-	1.125	62	38.1	19	15.9	22.2	6	4.8	16.7	9.6	0.7
UC206-19	-	1.188	62	38.1	19	15.9	22.2	6	4.8	16.7	9.6	0.7
UC206-20	1.25	1.25	62	38.1	19	15.9	22.2	6	4.8	16.7	9.6	0.7
UC207	35	-	72	42.9	20	17.5	25.4	6.5	5.4	22	13.1	0.47
UC207-20	-	1.25	72	42.9	20	17.5	25.4	6.5	5.4	22	13.1	1.03
UC207-22	-	1.375	72	42.9	20	17.5	25.4	6.5	5.4	22	13.1	1.03
UC207-23	-	1.438	72	42.9	20	17.5	25.4	6.5	5.4	22	13.1	1.03
UC208	40	-	80	49.2	21	19	30.2	8	5.9	28	17	0.64
UC208-24	-	1.5	80	49.2	21	19	30.2	8	5.9	28	17	1.41
UC209	45	-	85	49.2	22	19	30.2	8	6.1	28.1	17.5	0.67
UC209-26	-	1.625	85	49.2	22	19	30.2	8	6.1	28.1	17.5	1.5
UC209-28	-	1.75	85	49.2	22	19	30.2	8	6.1	28.1	17.5	1.5
UC210	50	-	90	51.6	24	19	32.6	9	6.5	30.1	19.9	0.81
UC210-30	-	1.875	90	51.6	24	19	32.6	9	6.5	30.1	19.9	1.78
UC210-31	-	1.937	90	51.6	24	19	32.6	9	6.5	30.1	19.9	1.78
UC210-32	2	2	90	55.60	0.984	25	33.4	0.354	9	37.2	25.1	2.47

UC200 Series (Light Duty)

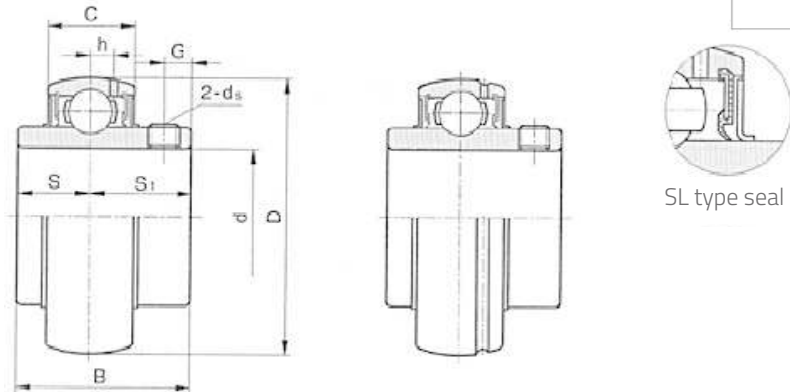
WIR both side with Grub Screw



Part No.	Dimensions(mm / inch)									Basic Loads (kN)		N.W. (kg/lb)
	d (mm)	d (inch)	D	B	C	S	S1	G	h	Cr	Cor	
UC211	55	-	100	55.6	25	22.2	33.4	9	7.1	37.2	25.1	1.12
UC211-32	-	2	3.937	2.189	0.984	0.874	1.315	0.354	0.28	37.2	25.1	2.47
UC212	60	-	110	65.1	27	25.4	39.7	10.5	7.6	41	28.3	1.53
UC212-36	-	2.5	4.331	2.563	1.063	1	1.563	0.413	0.299	41	28.3	3.37
UC212-38	-	2.375	4.331	2.563	1.063	1	1.563	0.413	0.299	41	28.3	3.37
UC213	65	-	120	65.1	28	25.4	39.7	12	8.5	49.2	34.4	1.86
UC213-40	-	2.50	4.724	2.563	1.102	1	1.563	0.472	0.335	49.2	34.4	4.1
UC214	70	-	125	74.6	30	30.2	44.4	12	8.9	53.5	37.8	2.05
UC214-44	-	2.75	4.921	2.937	1.181	1.189	1.748	0.472	0.35	53.5	37.8	4.52
UC215	75	-	130	77.8	32	33.3	44.5	12	9	56.8	42.6	2.21
UC215-48	-	3	5.118	3.063	1.26	1.311	1.752	0.472	0.354	56.8	42.6	4.87
UC216	80	-	140	82.6	33	33.3	49.3	14	9	62.4	45.6	2.79
UC216-50	-	3.125	5.512	3.252	1.299	1.311	1.941	0.551	0.354	59.9	46.4	6.14
UC217	85	-	150	85.7	35	34.1	51.6	14	10	71.8	55	3.38
UC217-52	-	3.25	5.906	3.374	1.378	1.343	2.032	0.551	0.394	71.8	55	7.44
UC218	90	-	160	96	37	39.7	56.3	15	10.5	82.6	61.5	4.45
UC218-56	-	3.5	6.299	3.78	1.457	1.563	2.216	0.591	0.413	82.6	61.5	9.8

UC300 Series (Heavy Duty)

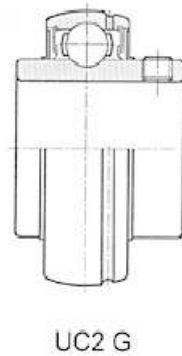
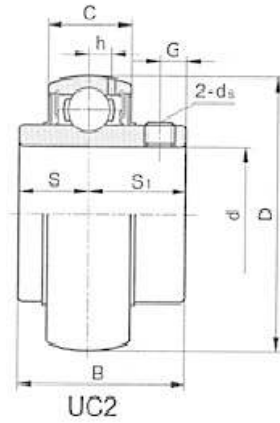
WIR both side with Grub Screw



SL type seal

Part No.	Dimensions(mm/Inch)												Basic Load Rating kg		Weight kg
	d (mm)	d (Inch)	D	Bi	Be	r	n	m	G	ds	T	w	Dynamic C	Static Co	
UC305	25	-	62	38	21	2	15	23	6	M6x0.75	6.1	36.9	1670	1090	0.44
UC306	30	-	72	43	23	2	17	26	6	M6x0.75	6.7	45	2100	1420	0.56
UC307	35	-	80	48	25	2.5	19	29	8	M8x1	7.4	50.5	2620	1820	0.71
UC308	40	-	90	52	27	2.5	19	33	10	M10x1.25	8.2	56	3200	2270	1
UC309	45	-	100	57	30	2.5	22	35	10	M10x1.25	9	63	4050	3050	1.28
UC309-26	-	1 5/8	100	57	30	3.5	22	35	10	3/(8-24)	9	63	8930	6720	2.82
UC309-28	-	1 3/4	100	57	30	3.5	22	35	10	3/(8-24)	9	63	8930	6720	2.82
UC310	50	-	110	61	32	3	22	39	12	M12x1.5	10	70.5	4850	3650	1.65
UC310-30	-	1 7/8	110	61	32	3	22	39	12	7/(16-20)	10	70.5	10700	8050	3.64
UC311	55	-	120	66	34	3	25	41	12	M12x1.5	10.7	76.5	5600	4250	2.07
UC311-32	2	-	4.7244	66	34	3	25	41	12	7/(16-20)	10.7	76.5	12300	9370	4.56
UC311-34	-	2 1/8	4.7244	66	34	3	25	41	12	7/(16-20)	10.7	76.5	12300	9370	4.56
UC312	60	-	130	71	36	3.5	26	45	12	M12x1.5	11.5	82.5	6400	4900	2.59
UC312-36	-	2 1/4	130	71	36	3.5	26	45	12	1/(2-20)	11.5	82.5	14100	10800	5.71
UC312-38	-	2 3/8	130	71	36	3.5	26	45	12	1/(2-20)	11.5	82.5	14100	10800	5.71
UC313	65	-	140	75	38	3.5	30	45	12	M12x1.5	12.2	88.5	7250	5650	3.15
UC313-40	-	2 1/2	140	75	38	3.5	30	45	12	1/(2-20)	12.2	88.5	16000	12500	6.94
UC314	70	-	150	78	40	3.5	33	45	12	M12x1.5	13	95.2	8150	6450	3.83
UC314-44	-	2 3/4	150	78	40	3.5	33	45	12	1/(2-20)	13	95.2	18000	14200	8.44
UC315	75	-	160	82	42	3.5	32	50	14	M14x1.5	13.8	101.5	8900	7200	4.59
UC315-48	-	3	160	82	42	3.5	32	50	14	9/(16-18)	13.8	101.5	19600	15900	10.12
UC316	80	-	170	86	44	3.5	34	52	14	M14x1.5	14.5	108	9650	8150	5.4
UC316-50	-	3 1/8	170	86	44	3.5	34	52	14	9/(16-18)	14.5	108	21300	18000	11.9
UC317	85	-	180	96	46	4	40	56	16	M16x1.5	15	114.5	10400	9100	6.58
UC317-52	-	3 1/4	180	96	46	4	40	56	16	(5/8-18)	15	114.5	22900	20100	14.5
UC318	90	-	190	96	48	4	40	56	16	M16x1.5	15.9	121	11200	10100	7.34
UC318-56	-	3 1/2	190	96	48	4	40	56	16	(5/8-18)	15.9	121	24700	22300	16.18

UC200 Triple Lip Series

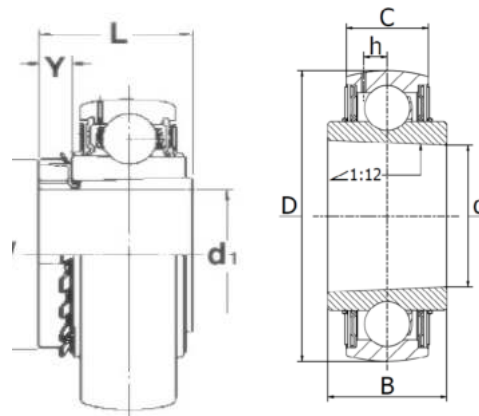


L3 type seal

Part No.	Dimensions(mm / inch)									Basic Loads (KN)		N.W. (kg/lb)
	d (mm)	d (inch)	D	B	C	S	S1	G	h	Cr	Cor	
UC204TRL	20	-	47	31	16	12.7	18.3	5	4	10.8	5.5	0.16
UC204-12TRL	-	3/4	1.85	1.221	0.63	0.5	0.721	0.197	0.158	11	5.7	0.35
UC205TRL	25	-	52	34	17	14.3	19.8	5.5	4.2	11.8	6.6	0.21
UC205-16TRL	-	1	2.047	1.343	0.669	0.563	0.78	0.217	0.165	12	6.7	0.47
UC206TRL	30	-	62	38	19	15.9	22.2	6	4.8	16.3	9.4	0.32
UC206-20TRL	-	1 1/4	2.441	1.5	0.748	0.626	0.874	0.236	0.189	16.7	9.6	0.7
UC207TRL	35	-	72	43	20	17.5	25.4	6.5	5.4	21.5	12.8	0.47
UC207-20TRL	-	1 1/4	2.835	1.589	0.787	0.689	1	0.256	0.213	22	13.1	1.03
UC207-22TRL	-	1 3/8	2.835	1.589	0.787	0.689	1	0.256	0.213	22	13.1	1.03
UC207-23TRL	-	1 4/9	2.835	1.589	0.787	0.689	1	0.256	0.213	22	13.1	1.03
UC208TRL	40	-	80	49	21	19	30.2	8	5.9	27.4	16.6	0.64
UC208-24TRL	-	1 1/2	3.15	1.937	0.827	0.748	1.189	0.315	0.232	28	17	1.41
UC209TRL	45	-	85	49	22	19	30.2	8	6.1	27.5	17.1	0.68
UC209-28TRL	-	1 3/4	3.346	1.937	0.866	0.748	1.189	0.315	0.24	28.1	17.5	1.5
UC210TRL	50	-	90	52	24	19	32.6	9	6.5	29.4	19.4	0.81
UC210-30TRL	-	1 7/8	3.543	2.032	0.945	0.748	1.284	0.354	0.256	30.1	19.9	1.78
UC211TRL	55	-	100	56	25	22.2	33.4	9	7.1	36.4	24.5	1.12
UC211-32TRL	-	2	3.937	2.189	0.984	0.874	1.315	0.354	0.28	37.2	25.1	2.47
UC212TRL	60	-	110	65.1	27	25.4	39.7	10.5	7.6	41	28.3	1.53
UC213TRL	65	-	120	65.1	28	25.4	39.7	12	8.5	49.2	34.4	1.86
UC213-40TRL	-	2 1/2	4.724	2.563	1.102	1	1.563	0.472	0.335	49.2	34.4	4.1
UC214TRL	70	-	125	74.6	30	30.2	44.4	12	8.9	53.5	37.8	2.05

UK200 Series (Light Duty)

WIR both side - Tapered Bore

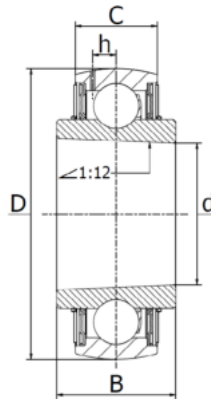


Standard										
Part No.	Dimensions (mm)							Basic Loads (KN)		N.W. (kg)
	d1	D	L	d	B	C	h	Cr	Cor	
UK205	20	52	35	25	24	17	4.2	12	6.7	0.24
UK206	25	62	38	30	27	19	4.8	16.7	9.6	0.4
UK207	30	72	43	35	30	22	5.4	22	13.1	0.53
UK208	35	80	46	40	33	23	5.9	28	17	0.69
UK209	40	85	50	45	33	23	6.1	28.1	17.5	0.77
UK210	45	90	55	50	33	23	6.5	30.1	19.9	0.93
UK211	50	100	59	55	35	26	7.1	37.2	25.1	1.25
UK212	55	110	62	60	35	26	7.6	41	28.3	1.56
UK213	60	120	65	65	36	27	8.5	49.2	34.4	1.95
UK215	65	130	73	75	39	30	9	56.8	42.6	2.59
UK216	70	140	78	80	42	32	9	62.4	45.6	3.26
UK217	75	150	82	85	46	34	10	71.8	55	3.93
UK218	80	160	86	90	49	36	10.5	82.6	61.5	4.68
UK208TRL	35	80	46	40	33	23	5.9	28	17	0.69
UK211TRL	50	100	59	55	35	26	7.1	37.2	25.1	1.25

Triple Lip										
Part No.	Dimensions (mm)							Basic Loads (KN)		N.W. (kg)
	d1	D	L	d	B	C	h	Cr	Cor	
UK212TRL	55	110	62	60	35	26	7.6	41	28.3	1.56
UK213TRL	60	120	65	65	36	27	8.5	49.2	34.4	1.95

UK300 Series (Heavy Duty)

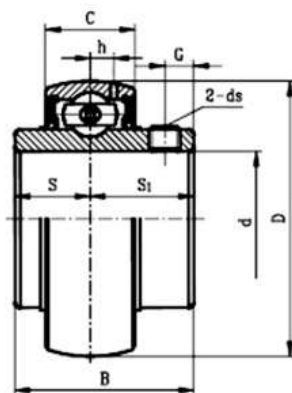
WIR both side - Tapered Bore



Bearing No	Shaft Dia d ₁		Dimensions (inch/mm)								Load Ratings (kg)		Weight (kg)
	(mm)	(in)	D	L	d	Bi	Be	T	y	w	Dynamic	Static	
UK 305+HE2305	-	3/4	62	35	25	26	22	6.3	8	38	1670	1090	0.48
UK 305+H 2305	20	-											0.48
UK 306+H 2306	25	-	72	38	30	29	24	6.9	8	45	2100	1420	0.59
UK 306+HE2306	-	1											0.59
UK 307+HS2307	-	1 1/8	80	43	35	31	26	7.6	9	52	2620	1820	0.76
UK 307+H 2307	30	-											0.74
UK 308+HE2308	-	1 1/4	90	46	40	34	28	8.4	10	58	3200	2270	1.07
UK 308+HS2308	-	1 3/5											1.01
UK 308+H 2308	35	-											1.01
UK 309+HE2309	-	1 1/2	100	50	45	37	30	9	11	65	4050	3050	1.36
UK 309+H 2309	40	-											1.31
UK 309+HS2309	-	1 5/8											1.29
UK 310+HE2310	-	1 3/4	110	55	50	40	32	10	12	70	4850	3650	1.7
UK 310+H 2310	45	-											1.68
UK 311+HS2311	-	1 7/8	120	59	55	43	34	10.7	12	75	5600	4250	2.14
UK 311+H 2311	50	-											2.06
UK 311+HE 2311	-	2											2.03
UK 312+HS2312	-	2 1/8	130	62	60	46	36	11.5	13	80	6400	4900	2.58
UK 312+H 2312	55	-											2.53
UK 313+HE2313	-	2 1/4	140	65	65	48	38	12.2	14	85	7250	5650	3.21
UK 313+H 2313	60	-											3.07
UK 313+HS2313	-	2 3/8											3.06
UK 315+HE2315	-	2 1/2	160	73	75	54	42	13.8	15	98	8900	7200	4.82
UK 315+H 2315	65	-											4.74
UK 316+HE2316	70	2 3/4	170	78	80	57	44	14.5	17	10.5	9650	8150	5.63
UK 316+H 2316													5.62
UK 317+H 2317	75	3	180	82	85	60	46	15	18	110	10400	9100	6.56
UK 317+HE2317													6.47
UK 318+HS318	80	3 1/8	190	86	90	63	48	15.9	18	120	11200	10100	7.75
UK 318+H 2318													7.52

UCX00 Series (Medium Duty)

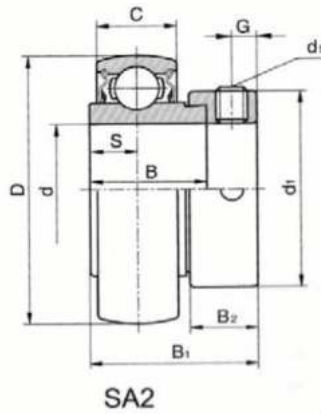
WIR both side with Grub Screw



Part No.	Dimensions(mm / inch)									Basic Loads (KN)		N.W. (kg)
	d (mm)	d (inch)	D	B	C	S	S1	G	h	Cr	Cor	
UCX05	25	-	62	38.1	19	15.9	22.2	6	4.8	16.7	9.6	0.37
UCX05-16	-	1	62	38.1	19	15.9	22.2	6	4.8	16.7	9.6	0.37
UCX06	30	-	72	42.9	20	17.5	25.4	6.5	5.4	22	13.1	0.47
UCX06-20	-	1.25	72	42.9	20	17.5	25.4	6.5	5.4	22	13.1	0.47
UCX07	35	-	80	49.2	21	19	30.2	8	5.9	28	17	0.76
UCX07-20	-	1.25	80	49.2	21	19	30.2	8	5.9	28	17	0.76
UCX07-23	-	1.438	80	49.2	21	19	30.2	8	5.9	28	17	0.76
UCX08	40	-	85	49.2	22	19	30.2	8	6.1	28.1	17.5	0.81
UCX08-24	-	1.5	85	49.2	22	19	30.2	8	6.1	28.1	17.5	0.81
UCX09	45	-	90	51.6	24	19	32.6	9	6.5	30.1	19.9	0.92
UCX09-28	-	1.75	90	51.6	24	19	32.6	9	6.5	30.1	19.9	0.92
UCX10	50	-	100	55.6	25	22.2	33.4	9	7.1	37.2	25.1	1.23
UCX10-30	-	1.875	100	55.6	25	22.2	33.4	9	7.1	37.2	25.1	1.23
UCX11	55	-	110	65.1	27	25.4	39.7	10.5	7.6	41	28.3	1.74
UCX11-32	-	2	110	65.1	27	25.4	39.7	10.5	7.6	41	28.3	1.85
UCX12	60	-	120	65.1	28	25.4	39.7	12	8.5	49.2	34.4	2.03
UCX12-36	-	2.25	120	65.1	28	25.4	39.7	12	8.5	49.2	34.4	2.15
UCX13	65	-	125	74.6	29	30.2	44.4	12	-	-	-	2.33
UCX13-40	-	2.5	125	74.6	29	30.2	44.4	12	-	-	-	2.33
UCX14	70	-	130	77.8	30	33.3	44.5	12	-	-	-	2.54
UCX14-44	-	2.75	130	77.8	30	33.3	44.5	12	-	-	-	2.54
UCX15	75	-	140	82.6	32	33.3	49.3	12	-	-	-	3.20
UCX15-48	-	3	140	82.6	32	33.3	49.3	12	-	-	-	3.20
UCX16	80	-	150	85.7	-	-	-	-	-	-	-	3.90
UCX16-50	-	3.125	150	85.7	-	-	-	-	-	-	-	3.95
UCX17	85	-	160	96	-	-	-	-	-	-	-	4.60
UCX17-52	-	3.25	160	96	-	-	-	-	-	-	-	4.90
UCX18	90	-	170	104	-	-	-	-	-	-	-	6

SA200 Series

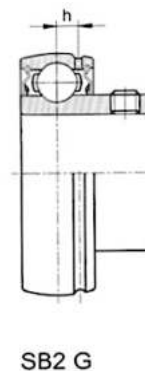
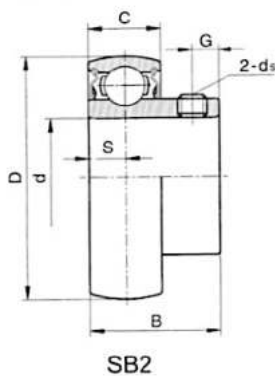
WIR one side with Locking Collar



Part No.	Dimensions(mm / inch)											Basic Loads (KN)		N.W. (kg)
	d (mm)	d (inch)	D	B1	B	C	S	d1	B2	h	G	Cr	Cor	
SA201	12	-	40	28.6	19.1	12	6.5	28.6	13.5	3.4	5	8.2	4	0.13
SA201-8	-	0.5	1.575	1.126	0.752	0.472	0.256	1.126	0.532	0.134	0.197	8.2	4	0.29
SA202	15	-	40	28.6	19.1	12	6.5	28.6	13.5	3.4	5	8.2	4	0.12
SA202-10	-	0.625	1.575	1.126	0.752	0.472	0.256	1.126	0.532	0.134	0.197	8.2	4	0.26
SA204	20	-	47	31	21.5	14	7.5	33.3	13.5	4	5	11	5.7	0.15
SA204-12	-	0.75	1.85	1.221	0.846	0.551	0.295	1.311	0.532	0.158	0.197	11	5.7	0.33
SA205	25	-	52	31	21.5	15	7.5	38.1	13.5	4.2	5	12	6.7	0.2
SA205-14	-	0.875	2.047	1.221	0.846	0.591	0.295	1.5	0.532	0.165	0.197	12	6.7	0.44
SA205-15	-	0.938	2.047	1.221	0.846	0.591	0.295	1.5	0.532	0.165	0.197	12	6.7	0.44
SA205-16	-	1	2.047	1.221	0.846	0.591	0.295	1.5	0.532	0.165	0.197	12	6.7	0.44
SA206	30	-	62	35.7	23.8	16	9	44.5	15.9	4.8	6	16.7	9.6	0.3
SA206-18	-	1.125	2.441	1.406	0.937	0.53	0.354	1.752	0.626	0.189	0.236	19.4	11.2	0.66
SA206-20	-	1.25	2.441	1.406	0.937	0.53	0.354	1.752	0.626	0.189	0.236	16.7	9.6	0.66
SA207	35	-	72	38.9	25.4	17	9.5	55.6	17.5	5.4	6.5	22	13.1	0.47
SA207-20	-	1.25	2.835	1.532	1	0.669	0.374	2.189	0.689	0.213	0.256	22	13.1	1.04
SA207-23	-	1.438	2.835	1.532	1	0.669	0.374	2.189	0.689	0.213	0.256	22	13.1	1.04
SA208	40	-	80	43.7	30.2	18	11	60.3	18.3	5.9	6.5	28	17	0.63
SA208-24	-	1.5	3.15	1.721	1.189	0.709	0.433	2.374	0.721	0.232	0.256	28	17	1.39
SA209	45	-	85	43.7	30.2	19	11	63.5	18.3	6.1	6.5	28.2	17.5	0.66
SA209-28	-	1.75	3.3465	1.719	1.188	0.748	0.433	2.499	0.720	0.240	0.256	28.2	17.5	0.66
SA210	50	-	90	43.7	30.2	20	11	69.9	18.3	6.5	6.5	30.1	19.8	0.76

SB200 Series

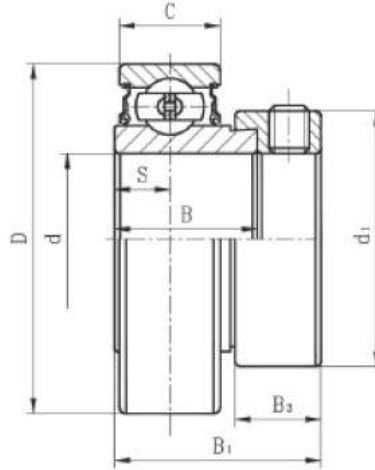
WIR one side with Grub Screw



Part No.	Dimensions(mm / inch)								Basic Loads (kN)		N.W. (kg/lb)
	d (mm)	d (inch)	D	B	C	S	h	G	Cr	Cor	
SB201	12	-	40	22	12	6	3.4	4	8.2	4	0.1
SB201-8	-	0.5	1.575	0.866	0.472	0.236	0.134	0.158	8.2	4	0.22
SB202	15	-	40	22	12	6	3.4	4	8.2	4	0.09
SB202-10	-	0.635	1.575	0.866	0.472	0.236	0.134	0.158	8.2	4	0.2
SB203	17	-	40	22	12	6	3.4	4	9.5	4.7	0.08
SB204	20	-	47	25	14	7	4	5	11	5.7	0.13
SB204-12	-	0.75	1.85	0.984	0.551	0.276	0.158	0.197	11	5.7	0.27
SB205	25	-	52	27	15	7.5	4.2	5.5	12	6.7	0.17
SB205-16	-	1	2.047	1.063	0.591	0.295	0.165	0.217	12	6.7	0.37
SB206	30	-	62	30	16	8	4.8	6	16.7	9.6	0.26
SB206-20	-	1.25	2.441	1.181	0.63	0.315	0.189	0.236	16.7	9.6	0.57
SB207	35	-	72	32	17	8.5	5.4	6.5	22	13.1	0.38
SB207-20	-	1.25	2.835	1.26	0.669	0.335	0.213	0.256	22	13.1	0.84
SB207-23	-	1.438	2.835	1.26	0.669	0.335	0.213	0.256	22	13.1	0.84
SB208	40	-	80	34	18	9	5.9	8	28	17	0.5
SB208-24	-	1.5	3.15	1.339	0.709	0.354	0.232	0.315	28	17	1.1
SB209	45	-	85	41.2	19	10.2	-	8.2	31.6	20.6	0.54

CSA200 Series

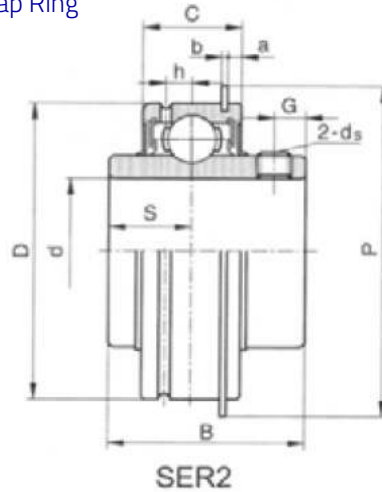
WIR one side with Locking Collar - Cylindrical OD



Part No.	Dimensions(mm / inch)								Basic Loads (KN)		N.W. (kg)
	d (mm)	d (inch)	D	B1	C	S	B3	d1	Cr	Cor	
CSA201-8	-	0.5	40	28.6	12	6	0.1417	1.126	7.36	4.48	0.14
CSA202-10	-	0.625	40	28.6	12	6	0.1417	1.126	7.36	4.48	0.135
CSA203	17	-	40	28.6	12	6	3.6	28.6	7.36	4.48	0.13
CSA204	20	-	47	29.5	14	7	3.9	33.3	9.88	6.2	0.15
CSA204-12	-	0.75	47	29.5	14	7	0.1513	1.311	9.88	6.2	0.15
CSA205	25	-	52	30.5	15	7.5	3.9	38.1	10.78	6.98	0.22
CSA205-14	-	0.875	52	30.5	15	7.5	0.1513	1.5	10.78	6.98	0.22
CSA205-16	-	1	52	30.5	15	7.5	0.1513	1.5	10.78	6.98	0.22
CSA206	30	-	62	33.9	16	8	5	44.5	14.97	10.04	0.3
CSA206-18	-	1.125	62	33.9	16	8	0.1969	1.752	14.97	10.04	0.3
CSA206-20	-	1.25	62	33.9	16	8	0.1969	1.752	14.97	10.04	0.3
CSA207	35	-	72	37.5	18	9	5.5	55.6	19.75	13.67	0.5
CSA207-20	-	1.25	72	37.5	18	9	0.2165	2.189	19.75	13.67	0.5
CSA207-22	-	1.375	72	37.5	18	9	0.2165	2.189	19.75	13.67	0.5
CSA208	40	-	80	40.5	19	9.5	6	60.3	22.71	15.94	0.67
CSA208-24	-	1.5	80	40.5	19	9.5	0.2362	2.374	22.71	15.94	0.67

SER200 Series

WIR both side with Grub Screw and Snap Ring

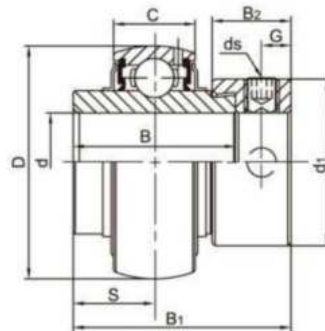


Part No.	Dimensions(mm / inch)											Basic Loads (KN)		N.W. (kg)
	d (mm)	d (inch)	D	B	C	S	a	b	P	G	h	Cr	Cor	
SER204	20	-	47	31	16	12.7	2.38	1.07	52.5	5	4	11.01	5.68	0.21
SER204-12	-	0.75	1.85	1.221	0.63	0.5	0.094	0.042	2.067	0.197	0.158	11.01	5.68	0.46
SER205	25	-	52	34.1	19	14.3	2.38	1.07	57.7	5.5	4.5	12.04	6.71	0.27
SER205-16	-	1	2.047	1.343	0.748	0.563	0.094	0.042	2.272	0.217	0.177	12.04	6.71	0.59
SER206	30	-	62	38.1	22	15.9	3.18	1.65	87.5	6	5.5	16.68	9.63	0.39
SER206-20	-	1.25	2.441	1.5	0.866	0.626	0.125	0.065	2.668	0.236	0.217	16.68	9.63	0.86
SER207	35	-	72	42.9	24	17.5	3.18	1.65	78.4	6.5	6.5	22.02	13.07	0.63
SER207-20	-	1.25	2.835	1.689	0.945	0.689	0.125	0.065	3.087	0.256	0.256	22.02	13.07	1.39
SER207-23	-	1.438	2.835	1.689	0.945	0.689	0.125	0.065	3.087	0.256	0.256	22.02	13.07	1.39
SER208	40	-	80	49.2	28	19	3.18	1.65	86.4	8	8	28.04	17.03	0.81
SER208-24	-	1.5	3.15	1.937	1.102	0.748	0.125	0.065	3.402	0.315	0.315	28.04	17.03	1.78
SER209	45	-	85	49.2	28	19	3.18	1.65	91.4	8	8	28.12	17.54	0.9
SER209-28	-	1.75	3.346	1.937	1.102	0.748	0.125	0.065	3.598	0.315	0.315	28.12	17.54	1.98
SER210	50	-	90	51.6	28	19	3.18	2.41	96.3	9	6.5	30.1	19.87	0.98
SER210-30	-	1.875	3.543	2.032	1.102	0.748	0.125	0.095	3.791	0.354	0.256	30.1	19.87	2.16

Bearing Inserts

NA200 Series

WIR both side with Locking Collar



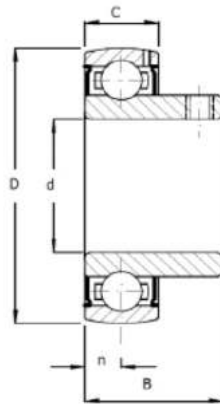
Part No.	Dimensions(mm / inch)											Basic Loads (KN)		N.W. (kg/lb)
	d (mm)	d (inch)	D	B	C	S	a	b	P	G	h	Cr	Cor	
NA204	20	-	47	43.5	34	16	17	33.3	13.5	4	5	11.01	5.68	0.22
NA204-12	-	0.75	1.85	1.713	1.339	0.63	0.669	1.311	0.532	0.158	0.197	11.01	5.68	0.48
NA205	25	-	52	44.3	34.8	17	17.4	38.1	13.5	4.2	5	12.04	6.71	0.25
NA205-16	-	1	2.047	1.744	1.37	0.669	0.685	1.5	0.532	0.165	0.197	12.04	6.71	0.55
NA206	30	-	62	48.3	36.4	19	18.2	44.5	15.9	4.8	6	16.68	9.63	0.41
NA206-20	-	1.25	2.441	1.902	1.433	0.748	0.717	1.752	0.626	0.189	0.236	16.68	9.63	0.9
NA207	35	-	72	51.1	37.6	20	18.8	55.6	17.5	5.4	6.5	22.02	13.07	0.6
NA207-20	-	1.25	2.835	2.012	1.48	0.787	0.74	2.189	0.689	0.213	0.256	22.02	13.07	1.32
NA207-23	-	1.438	2.835	2.012	1.48	0.787	0.74	2.189	0.689	0.213	0.256	22.02	13.07	1.32
NA208	40	-	80	56.3	42.8	21	21.4	60.3	18.3	5.9	6.5	28.04	17.03	0.78
NA208-24	-	1.5	3.15	2.217	1.685	0.827	0.843	2.374	0.721	0.232	0.2	28.04	17.03	1.72
NA209	45	-	85	56.3	42.8	22	21.4	63.5	18.3	6.1	6.5	28.12	17.54	0.85
NA209-28	-	1.75	3.346	2.217	1.685	0.866	0.843	2.5	0.721	0.24	0.256	28.12	17.54	1.87
NA210	50	-	90	62.7	49.2	24	24.6	69.9	18.3	6.5	6.5	30.1	19.87	1.01
NA210-30	-	1.875	3.543	2.469	1.937	0.945	0.969	2.752	0.721	0.256	0.256	30.1	19.87	2.22
NA211	55	-	100	71.4	55.4	25	27.7	76.2	20.7	7.1	8	37.24	25.11	1.39
NA211-32	-	2	3.937	2.811	2.181	0.984	1.091	3	0.815	0.28	0.315	37.24	25.11	3.16

NA200 Triple Lip Series

Part No.	Dimensions(mm / inch)											Basic Loads (KN)		N.W. (kg/lb)
	d (mm)	d (inch)	D	B	C	S	a	b	P	G	h	Cr	Cor	
NA204TRL	20	-	47	43.5	34	16	17	33.3	13.5	4	5	11.01	5.68	0.22
NA204-12TRL	-	0.75	1.85	1.713	1.339	0.63	0.669	1.311	0.532	0.158	0.197	11.01	5.68	0.48
NA205TRL	25	-	52	44.3	34.8	17	17.4	38.1	13.5	4.2	5	12.04	6.71	0.25
NA205-16TRL	-	1	2.047	1.744	1.37	0.669	0.685	1.5	0.532	0.165	0.197	12.04	6.71	0.55
NA206TRL	30	-	62	48.3	36.4	19	18.2	44.5	15.9	4.8	6	16.68	9.63	0.41
NA206-20TRL	-	1.25	2.441	1.902	1.433	0.748	0.717	1.752	0.626	0.189	0.236	16.68	9.63	0.9
NA207TRL	35	-	72	51.1	37.6	20	18.8	55.6	17.5	5.4	6.5	22.02	13.07	0.6
NA207-20TRL	-	1.25	2.835	2.012	1.48	0.787	0.74	2.189	0.689	0.213	0.256	22.02	13.07	1.32
NA208TRL	40	-	80	56.3	42.8	21	21.4	60.3	18.3	5.9	6.5	28.04	17.03	0.78
NA208-24TRL	-	1.5	3.15	2.217	1.685	0.827	0.843	2.374	0.721	0.232	0.2	28.04	17.03	1.72

U000 Silver Series (Extra Light Duty)

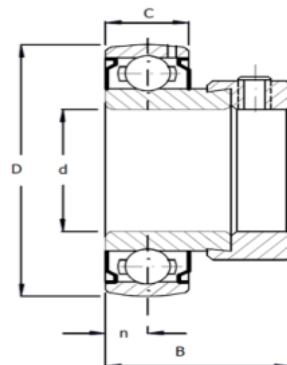
WIR one side with Grub Screw



Part No.	Dimensions (mm)				N.W. (kg)
	d	D	B1	C	
U000	10	26	8	15	0.14
U001	12	28	8	16	0.135
U002	15	32	9	16.5	0.13
U003	17	35	10	17.5	0.15
U004	20	42	12	21	0.15
U005	25	47	12	22	0.22
U006	30	55	13	24.5	0.22

U000ER Silver Series (Extra Light Duty)

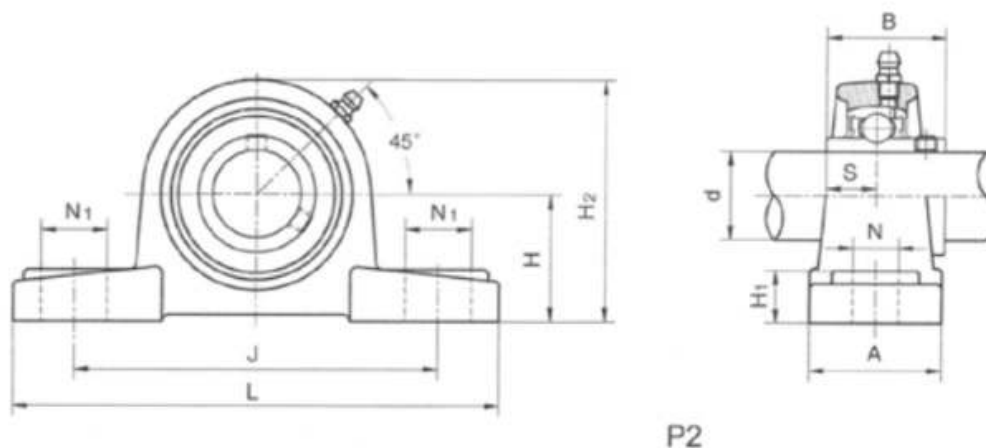
WIR one side with Locking Collar



Part No.	Dimensions(mm / inch)							N.W. (kg)
	d	D	B1	C	S	B3	d1	
U000ER	10	26	8	17.5	4	4.58	1.98	0.14
U001ER	12	28	8	17.5	4	5.1	2.38	0.135
U002ER	15	32	9	18.5	4.5	5.58	2.85	0.13
U003ER	17	35	10	20.5	5	6.11	3.25	0.15
U004ER	20	42	12	24.5	6	9.38	5.02	0.15
U005ER	25	47	12	25.5	6	10.1	5.85	0.22
U006ER	30	55	13	26.5	6.5	13.2	8.28	0.22

P200 Series (Light Duty)

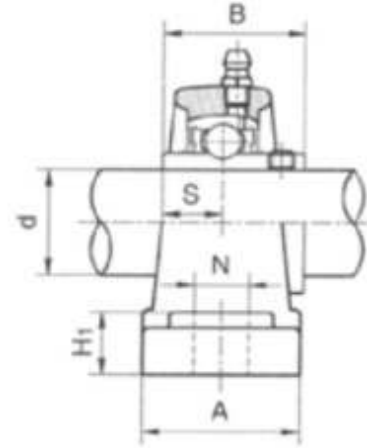
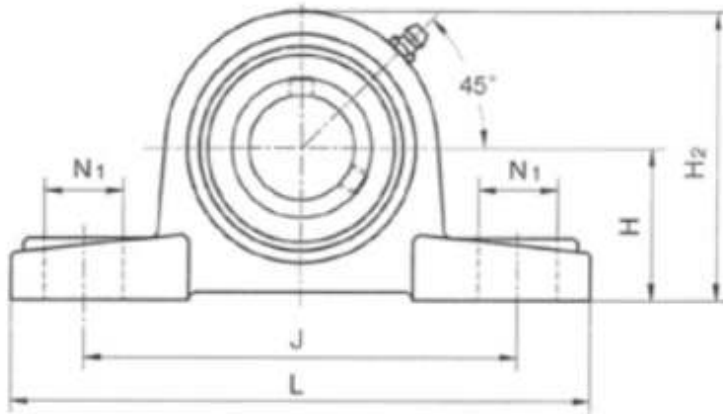
2-Bolt Pillow Block Housing



Part No.	Dimensions (mm)											N.W. (kg)
	d	H	L	J	A	N1	N1	H1	H2	S	B	
P203	17	30.2	127	95	36	13	19	13	60	10	26	0.4
P204	20	33.3	127	95	38	13	19	14	65	12.7	31	0.4
P205	25	36.5	140	105	38	13	19	15	71	14.3	34.1	0.49
P206	30	42.9	165	121	48	17	21	17	83	15.9	38.1	0.7
P207	35	47.6	167	127	48	17	21	18	93	17.5	42.9	0.88
P208	40	49.2	184	137	54	17	21	18	98	19	49.2	1.05
P209	45	54	190	146	54	17	21	20	106	19	49.2	1.24
P210	50	57.2	206	159	60	20	25	21	114	19	51.6	1.6
P211	55	63.5	219	171	60	20	25	23	126	22.2	55.6	1.91
P212	60	69.8	241	184	70	20	25	25	138	25.4	65.1	2.5
P213	65	76.2	264	203	70	25	30	27	151	25.4	65.1	3.08
P214	70	79.4	266	210	72	25	30	27	157	30.2	74.6	3.4
P215	75	82.6	275	217	74	25	30	28	163	33.3	77.8	3.79
P216	80	88.9	292	232	78	25	30	30	175	33.3	82.6	4.37
P217	85	95.2	310	247	83	25	30	32	187	34.1	85.7	5.53
P218	90	101.6	327	262	88	27	36	33	200	39.7	96	6.3

P300 Series (Heavy Duty)

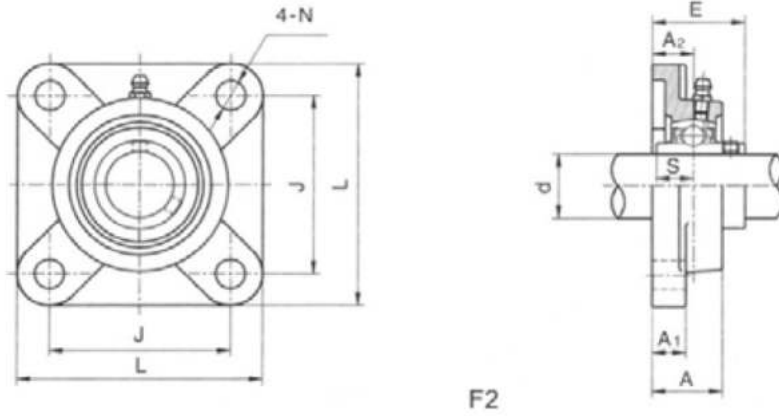
2-Bolt Pillow Block Housing



Part No.	Dimensions (mm)											Bolt Size mm	Weight kg
	d	H	L	J	A	s1	s2	H1	H2	B	n		
P305	25	45	175	132	45	17	20	16	84	38	15	M14	1.6
P306	30	50	180	140	50	17	20	19	94	43	17	M14	1.9
P307	35	56	210	160	56	17	25	21	105	48	19	M14	2.7
P308	40	60	220	170	60	17	27	23	116	52	19	M14	3.3
P309	45	67	245	190	67	20	30	25	128	57	22	M16	4.5
P310	50	75	275	212	75	20	35	28	143	61	22	M16	6.2
P311	55	80	310	236	80	20	38	31	154	66	25	M16	7.7
P312	60	85	330	250	85	25	38	33	165	71	26	M20	9.3
P313	65	90	340	260	90	25	38	36	174	75	30	M20	9.8
P314	70	95	360	280	90	27	40	40	186	78	33	M22	11.4
P315	75	100	380	290	100	27	40	40	197	82	32	M22	13.6
P316	80	106	400	300	110	27	40	45	209	86	34	M22	16.4
P317	85	112	420	320	110	33	45	45	221	96	40	M27	18.6
P318	90	118	430	330	110	33	45	50	233	96	40	M27	20.9

F200 Series (Light Duty)

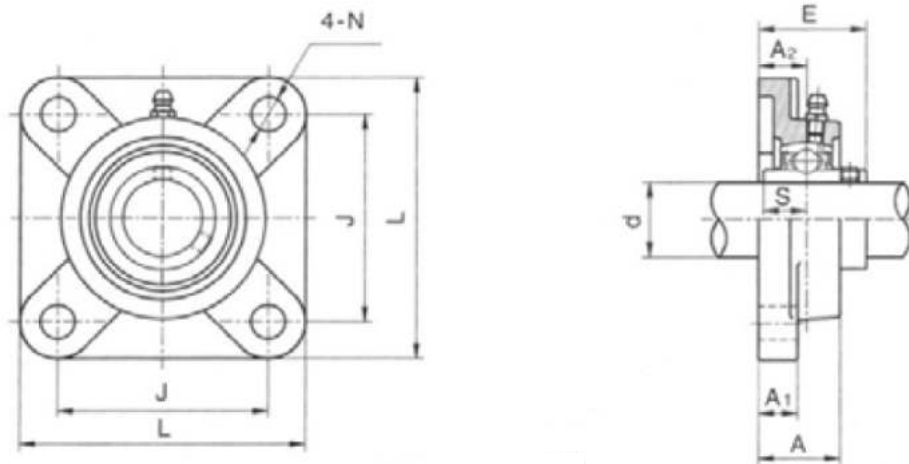
4-Bolt Flanged Square Housing



Part No.	Dimensions (mm)									N.W. (kg)
	d	L	J	A2	A1	A	N	E	S	
F204	20	86	64	15	11	25.5	12	33.3	12.7	0.32
F205	25	95	70	16	13	27	12	35.8	14.3	0.43
F206	30	108	83	18	13	31	12	40.2	15.9	0.57
F207	35	117	92	19	15	34	14	44.4	17.5	0.67
F208	40	130	102	21	15	36	16	51.2	19	0.86
F209	45	137	105	22	16	38	16	52.2	19	1.03
F210	50	143	111	22	16	40	16	54.6	19	1.15
F211	55	162	130	25	18	43	19	58.4	22.2	1.6
F212	60	175	143	29	18	48	19	68.7	25.4	1.85
F213	65	187	149	30	22	50	19	69.7	25.4	2.42
F214	70	193	152	31	22	54	19	75.4	30.2	2.71
F215	75	200	159	34	22	56	19	78.5	33.3	3.11
F216	80	208	165	34	22	58	23	83.3	33.3	3.57
F217	85	220	175	36	24	63	23	87.6	34.1	4.06
F218	90	235	187	40	24	68	23	96.3	39.7	4.73

F300 Series (Heavy Duty)

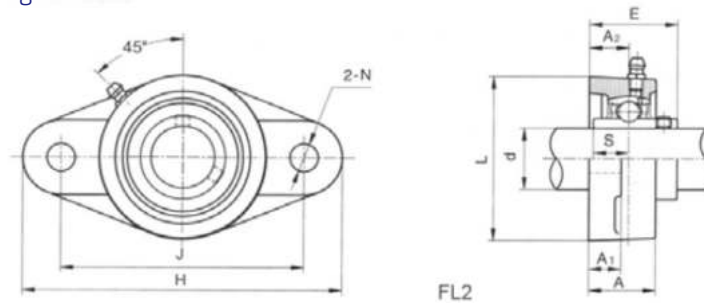
4-Bolt Flanged Square Housing



Part No.	Dimensions (mm)									Mass (kg)
	d	L	J	A2	A1	A	E	N	S1	
F305	20	108	80	16	13	29	37.5	16	21.5	1.09
F306	25	125	95	18	15	32	41	16	23	1.65
F307	30	135	100	20	16	36	45.5	19	25.5	2.00
F308	35	150	112	23	17	40	50.5	19	27.5	2.77
F309	40	160	125	25	18	44	55	19	30	3.40
F310	45	175	132	28	20	48	60	23	32	4.35
F311	50	185	140	30	20	52	63.5	23	33.5	5.30
F312	55	193	150	33	22	56	69.5	23	36.5	6.26
F313	60	208	166	33	22	58	71.5	23	38.5	7.61
F314	61	226	-	-	-	-	-	-	-	6.27
F315	65	236	185	39	25	66	81.5	25	42.5	10.80
F316	70	250	196	38	27	68	82.5	31	44.5	12.70
F317	75	260	204	44	27	74	92	31	48	15.3
F318	80	280	216	44	30	76	92	35	48	17.7

FL200 Series (Light Duty)

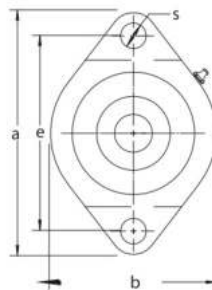
2-Bolt Flanged Oval Housing



Part No.	Dimensions (mm)											N.W. (kg)
	d	H	J	L	A2	A1	A	N	E	S	B	
FL204	20	113	90	60	15	11	25.5	12	33.3	12.7	0.25	0.57
FL205	25	130	99	68	16	13	27	16	35.8	14.3	0.3	0.4
FL205-12	25	130	99	68	16	13	27	12	35.8	14.3	0.3	0.49
FL206	30	148	117	80	18	13	31	16	40.2	15.9	0.43	0.7
FL206-12	30	148	117	80	18	13	31	12	40.2	15.9	0.43	0.88
FL207	35	161	130	90	19	15	34	16	44.4	17.5	0.51	1.05
FL208	40	175	144	100	21	15	36	16	51.2	19	0.67	1.24
FL209	45	188	148	108	22	16	38	19	52.2	19	0.81	1.6
FL210	50	197	157	115	22	16	40	19	54.6	19	0.94	1.91
FL211	55	224	184	130	25	18	43	19	58.4	22.2	1.39	2.5
FL212	60	250	202	140	29	18	48	23	68.7	25.4	1.72	3.08
FL213	65	258	210	155	30	22	50	23	69.7	25.4	2.17	3.4
FL214	70	265	216	160	31	22	54	23	75.4	30.2	2.49	3.79
FL215	75	275	225	165	34	22	56	23	78.5	33.3	2.8	4.37
FL216	80	290	233	180	34	22	58	25	83.3	33.3	3.43	5.53
FL217	85	305	248	190	36	24	63	25	87.6	34.1	4.04	6.3
FL218	90	320	265	205	40	24	68	25	96.3	39.7	4.55	7.3

FD200 Series (Light Duty)

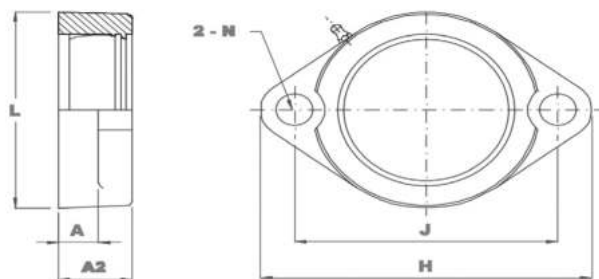
2-Bolt Flange Housing - Thick Base



Part No.	Dimensions (mm)				Bolts	N.W. (kg)
	A	E	S	B		
FD203	81.0	62.7	7.1	58.7	1/4	0.26
FD204	98.7	70.6	10.0	69.7	5/16	0.37
FD205	95.3	76.2	10.0	70.6	5/16	0.44
FD206	112.7	89.7	11.90	84.1	3/8	0.7
FD207	124.6	100.0	11.9	93.7	3/8	0.91

LF200 Series

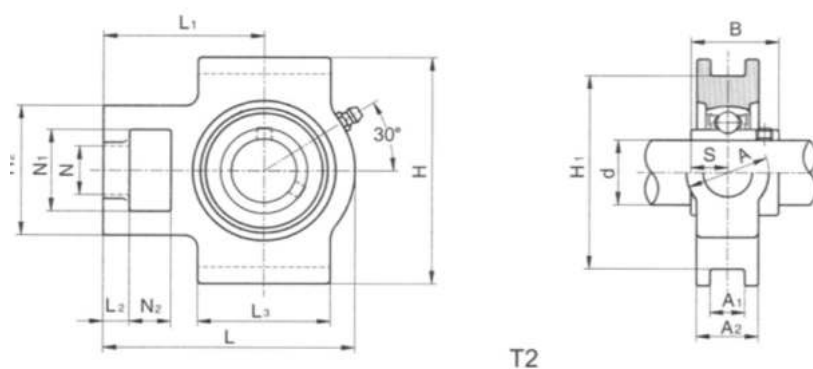
Light 2-Bolt Flanged Oval Housing



Part No.	Dimensions (mm)							N.W. (kg)
	d	H	L	J	A	A2	N	
LF203	17	81	56.4	63.5	9.5	18.3	M6	0.15
LF204	20	89.7	61.1	71.4	11.1	19.8	M8	0.18
LF205	25	95.3	64.3	75.8	11.1	19.8	M8	0.2
LF206	30	112.7	76.2	90.5	11.9	22.2	M10	0.3
LF207	35	112.2	88.9	100	13.1	23.8	M10	0.35
LF208	40	149	105	119	13.1	23.8	M12	0.68

T200 Series (Light Series)

Take-Up Housing

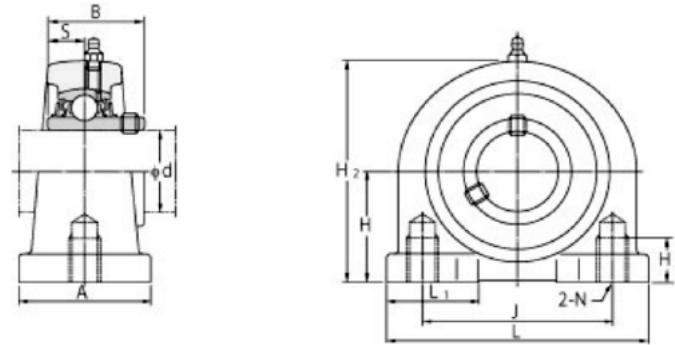


Part No.	Dimensions (mm)																N.W. (kg)
	d	L	L1	L2	L3	N	N1	N2	H	H1	H2	A	A1	A2	S	B	
T204	20	94	61	10	51	19	32	16	89	76	51	32	12	21	12.7	31	0.42
T205	25	97	62	10	51	19	32	16	89	76	51	32	12	24	14.3	34.1	0.46
T206	30	113	70	10	57	22	37	16	102	89	56	37	12	28	15.9	38.1	0.67
T207	35	129	78	13	64	22	37	16	102	89	64	37	12	30	17.5	42.9	0.81
T208	40	144	88	16	83	29	49	19	114	102	83	49	16	33	19	49.2	1.16
T209	45	144	87	16	83	29	49	19	117	102	83	49	16	35	19	49.2	1.19
T210	50	149	90	16	86	29	49	19	117	102	83	49	16	37	19	51.6	1.18
T211	55	171	106	19	95	35	64	25	146	130	102	64	22	38	22.2	55.6	1.92
T212	60	194	119	19	102	35	64	32	146	130	102	64	22	42	25.4	65.1	2.28
T213	65	224	137	21	121	41	70	32	167	151	111	70	26	44	25.4	65.1	3.57
T214	70	224	137	21	121	41	70	32	167	151	111	70	26	46	30.2	74.6	3.5
T215	75	232	140	21	121	41	70	32	167	151	111	70	26	48	33.3	77.8	3.57

Bearing Housings

PA200 Series

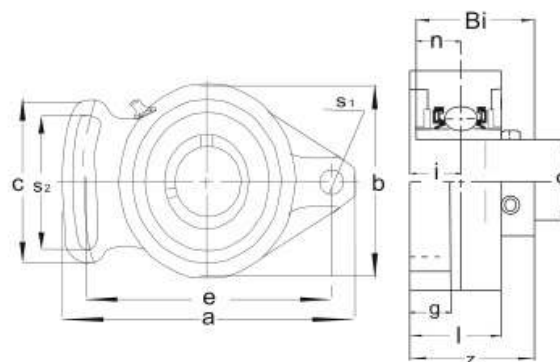
Tap Base Pillow Block Housing



Part No.	Dimensions (mm)											N.W. (kg)
	d	H	L	J	A	H2	H3	S	B	H3	N	
PA204	20	30.2	76	52	40	62	12	12.7	31	13	M10	0.43
PA205	25	36.5	84	56	38	72	12	14.3	34.1	15	M10	0.62
PA206	30	42.9	94	66	48	84	12	15.9	38.1	18	M14	0.89
PA207	35	47.6	110	80	48	95	12	17.5	42.9	20	M14	1.24
PA208	40	49.2	116	84	54	100	12	19	49.2	20	M14	1.27
PA209	45	54.2	120	90	60	108	12	19	49.2	25	M14	1.52
PA210	50	57.2	130	94	60	116	12	19	51.6	25	M16	1.82

FA200 Series

Flange Mount Housing



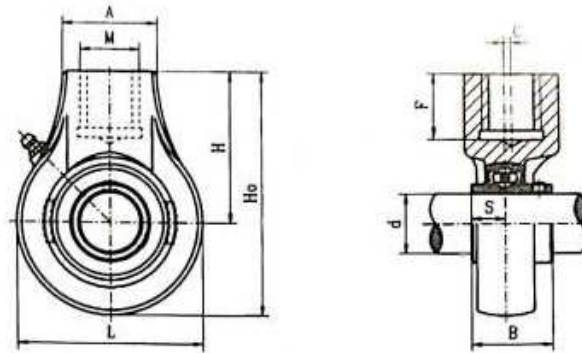
Part No.	Dimensions (mm)											Weight (kg)	
	d	a	e	i	g	l	s1	b	z	s2	Bi		n
FA204	20	98	78	13.8	11	24	10	59	32.1	40	31	12.7	0.47
FA205	25	124	98	16	13	27	11	70	35.7	49	34	14.3	0.68
FA206	30	141	117	17.8	13	30	11	83	40	56	38.1	15.9	1
FA207	35	155	130	18.6	14	34	13	96	44	63	42.9	17.5	1.5
FA208	40	171	114	20.8	14	38	13	105	5.1	70	49.2	19	1.9
FA209	45	179	148	21.8	14	40	15	111	52	72	49.2	19	1.7
FA210	50	189	157	22.5	14	40	15	116	55.1	75	51.6	19	2
FA211	55	216	184	25.8	20	44	16	133	59.1	86	55.6	22.2	3.6

NB. Finer Power Transmissions P/L is transitioning into NBR Bearings. Unless NBR Bearings are specifically requested, any remaining PFB/TNC stock will be supplied.

Every effort has been taken to ensure that the data listed in this catalogue is correct. Finer Power Transmissions P/L will not accept liability for any damage or loss caused as a result of the data in this catalogue.

HA200 Series

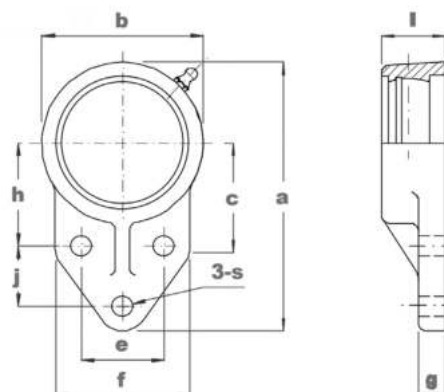
Hanger Housing



Part No.	Dimensions (mm)										Weight (kg)
	d	Ho	L	C	H	A	F	M	B	S	
HA204	20	96	64	0	64	40	19	G3/4	31	12.7	0.7
HA205	25	103	78	0	64	40	19	G3/4	34.1	14.3	0.88
HA206	30	103	78	0	64	40	19	G3/4	38.1	15.9	1
HA207	35	116	92	0	70	40	19	G3/4	42.9	17.5	1.2
HA208	40	121	96	2	73	40	19	G3/4	49.2	19	1.3
HA209	45	136	108	5	82	48	21	G1	49.2	19	1.8
HA210	50	140.5	115	5	82	48	21	G1	49.2	19	1.8
HA211	55	150	126	7	87	60	24	G1 1/4	55.6	22.2	2.8
HA212	60	173	142	9	102	60	28	G1 1/4	65.1	25.4	3.9

FB200 Series

3-Bolt Flanged Bracket Housing



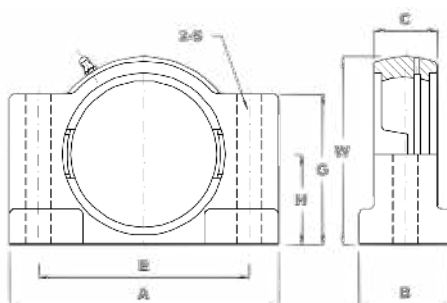
Part No.	Dimensions (mm)											N.W. (kg)
	a	h	e	j	g	l	c	s	b	f	Bolt	
FB204	110	42	32	27	13	25.5	52	10	62	52	M8	0.45
FB205	116	45	34	27	13	27	52	10	68	56	M8	0.5
FB206	130	50	40	29	13	31	55	10	78	65	M8	0.62
FB207	144	55	46	32	15	34	62	10	90	70	M8	0.84
FB208	164	60	50	41	16	36	72	12	100	78	M10	1.17
FB209	174	65	54	43	18	38	76	12	106	80	M10	1.32
FB210	184	68	58	46	18	40	82	12	112	86	M10	1.52

NB. Finer Power Transmissions P/L is transitioning into NBR Bearings. Unless NBR Bearings are specifically requested, any remaining PFB/TNC stock will be supplied.

Every effort has been taken to ensure that the data listed in this catalogue is correct. Finer Power Transmissions P/L will not accept liability for any damage or loss caused as a result of the data in this catalogue.

SBH200 Series

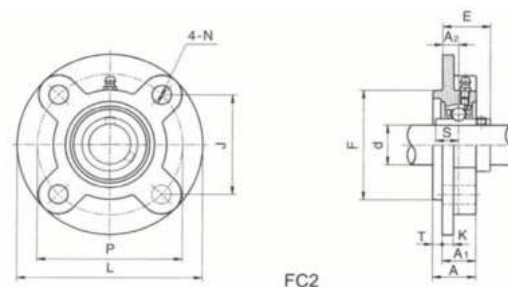
Heavy 2-Bolt Saw Bench Housing



Part No.	Dimensions (mm)									Weight (kg)
	H	A	E	B	C	G	W	S	Bolt	
SBH205	31.7	92	70	38	25	58	67	12	M10	0.75
SBH206	38.1	108	83	44	30	68	78	12	M10	1.20
SBH207	44.4	133	102	48	33	76	95	14	M12	1.90
SBH208	47.6	140	108	54	39	81	100	14	M12	2.10
SBH209	50.8	146	111	54	39	86	105	14	M12	2.40
SBH210	53.97	152	118	60	41	90	110	14	M12	2.70
SBH211	58.7	172	137	60	41	98	122	17	M16	3.50
SBH212	69.85	197	162	65	48	111	146	17	M16	5.02
SBH213	69.85	197	162	65	48	111	146	17	M16	4.64
SBH214	76.2	206	172	73	60	117	155	17	M16	5.21
SBH215	76.2	206	172	73	60	117	155	17	M16	5.78

FC200 Series (Light Duty)

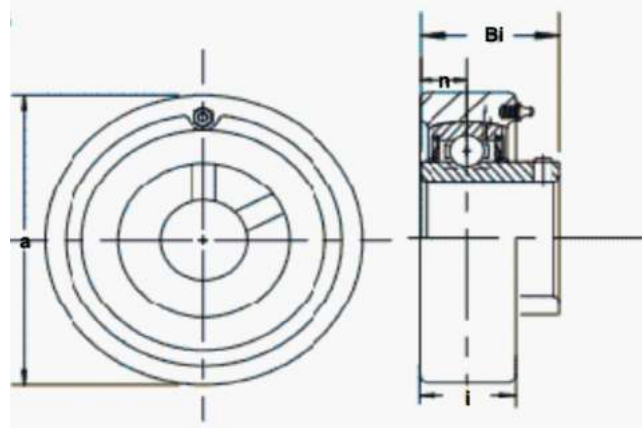
4-Bolt Round Flanged Cartridge Housing



Part No.	Dimensions (mm)													N.W. (kg)
	d	L	P	J	A2	A1	A	T	K	F	N	E	S	
FC204	20	100	78	55.1	10	20.5	25.5	5	7	62	12	28.3	12.7	0.58
FC205	25	115	90	63.6	10	21	27	6	7	70	12	29.8	14.3	0.74
FC206	30	125	100	70.7	10	23	31	8	8	80	12	32.2	15.9	0.93
FC207	35	135	110	77.8	11	26	34	8	9	90	14	36.4	17.5	1.2
FC208	40	145	120	84.8	11	26	36	10	9	100	14	41.2	19	1.41
FC209	45	160	132	93.3	10	26	38	12	14	105	16	40.2	19	1.95
FC210	50	165	138	97.6	10	28	40	12	14	110	16	42.6	19	2.12
FC211	55	185	150	106.1	13	31	43	12	15	125	19	46.4	22.2	3.05
FC212	60	195	160	113.1	17	36	48	12	15	135	19	56.7	25.4	3.57
FC213	65	205	170	120.2	16	36	50	14	15	145	19	55.7	25.4	3.74
FC214	70	215	177	125.1	17	40	54	14	18	150	19	61.4	30.2	4.8
FC215	75	220	184	130.1	18	40	56	16	18	160	19	62.5	33.3	5.2
FC216	80	240	200	141.4	18	42	58	16	18	170	23	67.3	33.3	6.3
FC217	85	250	208	147.1	18	45	63	18	20	180	23	69.6	34.1	7.37
FC218	90	265	220	155.5	22	50	68	18	20	190	23	78.3	39.7	8.6

C200 Series

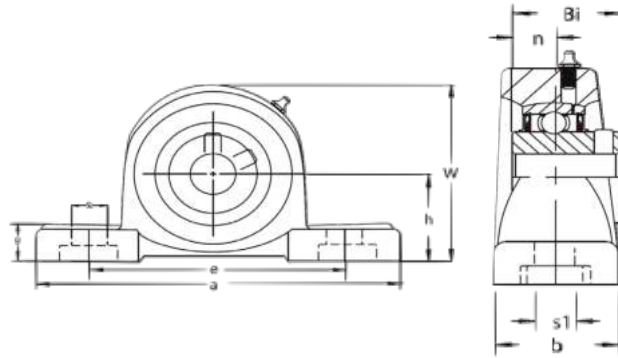
Round Cartridge Housing



Part No.	Dimensions (mm)			
	a	i	Bi	n
C204	72	20	31	12.7
C205	80	22	34	14.3
C206	85	27	38.1	15.9
C207	90	28	42.9	17.5
C208	100	30	49.2	19
C209	110	31	40.2	19
C210	120	33	51.6	19
C211	125	35	55.6	22.2
C212	130	38	65.1	25.4
C213	140	40	65.1	25.4

PX00 Series (Medium Duty)

2-Bolt Pillow Block Housing

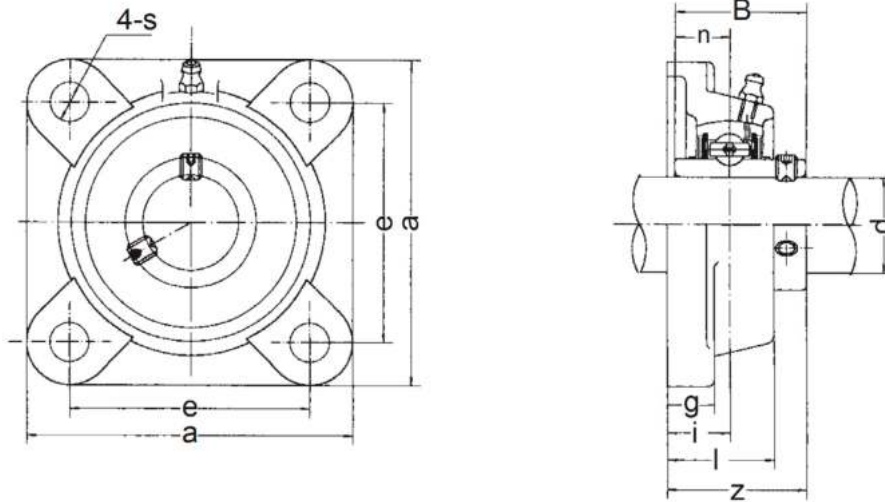


Part No.	Dimensions (mm)										
	h	a	e	b	s1	s2	g	w	n	Bi	N.W. (kg)
PX05	44.1	159	119	51	17	25	18	85	15.9	38.1	1.5
PX06	47.6	175	127	57	17	25	20	94	17.5	42.9	2.14
PX07	54	203	144	57	17	30	22	105	19	49.2	2.85
PX08	58.7	222	156	67	20	32	26	113	19	49.2	3.71
PX09	58.7	222	156	67	20	33	26	116	19	51.6	3.65
PX10	63.5	241	171	73	20	36	27	126	22.2	55.6	4.45
PX11	60.8	260	184	70	26	36	30	130	26.4	66.1	6.25
PX12	76.2	266	203	83	25	41	32	151	25.4	65.1	7.52
PX13	76.2	266	203	83	26	41	32	154	30.2	74.6	8.2
PX14	88.9	330	229	89	27	51	35	172	33.3	77.8	10.60
PX15	88.9	330	229	89	27	51	35	177	33.3	82.6	12.30
PX16	101.6	378	283	99	27	30	37	194	34.1	85.7	17.4
PX17	101.6	380	283	102	27	30	40	200	39.7	96	17.1
PX18	101.6	381	283	106	27	30	40	206	42.9	104	17.1
PX20	127	432	337	120	33	36	45	244	49.2	117.5	33

NB. Finer Power Transmissions P/L is transitioning into NBR Bearings. Unless NBR Bearings are specifically requested, any remaining PFB/TNC stock will be supplied.

FX00 Series (Medium Duty)

4-Bolt Flanged Square Housing



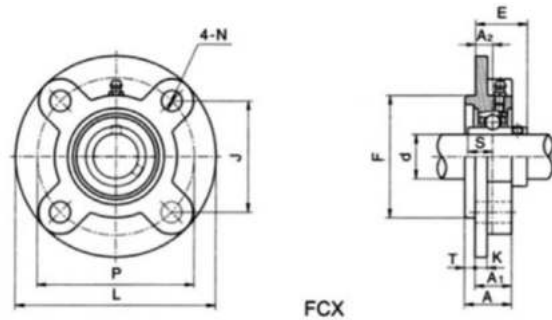
Part No.	Dimensions (mm)							
	a	e	i	g	l	z	s	n
FX05	108	83	18	13	30	40.2	12	15.9
FX06	117	92	19	14	34	44.4	16	17.5
FX07	130	102	21	14	38	51.2	16	19
FX08	137	102	22	14	40	52.2	19	19
FX09	143	111	23	14	40	55.6	19	19
FX10	162	130	26	20	44	59.4	19	22.2
FX11	175	143	29	20	49	68.7	19	25.4
FX12	187	149	34	21	59	73.7	19	25.4
FX13	187	149	34	21	59	78.4	19	30.2
FX14	197	152	37	24	60	81.5	20	33.3
FX15	197	152	40	24	68	89.3	20	33.3
FX16	214	171	40	24	70	91.6	20	34.1
FX17	214	171	40	24	70	96.3	20	39.7
FX18	214	171	45	24	76	106.1	23	42.9
FX20	268	211	59	31	97	127.3	31	49.2

NB. Finer Power Transmissions P/L is transitioning into NBR Bearings. Unless NBR Bearings are specifically requested, any remaining PFB/TNC stock will be supplied.

Every effort has been taken to ensure that the data listed in this catalogue is correct. Finer Power Transmissions P/L will not accept liability for any damage or loss caused as a result of the data in this catalogue.

FCX00 Series (Medium Duty)

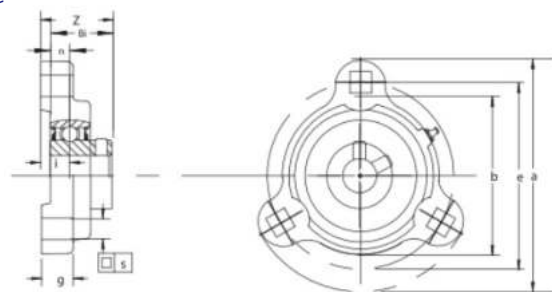
4-Bolt Round Flanged Cartridge Housing



Part No.	Dimensions (mm)												
	d	L	P	J	A2	A1	A	T	K	F	N	E	S
FCX05	25	111	92	65.0	10	24	30	6.0	9.5	76	9.5	32.2	15.9
FCX06	30	127	105	74.2	8.5	22.5	32	9.5	9.5	85	12.0	33.4	17.5
FCX07	35	133	111	78.5	9	26	37	11.0	11.0	92	12.0	39.2	19.0
FCX08	40	133	111	78.5	9	26	37	11.0	11.0	92	12.0	39.2	19.0
FCX09	45	155	130	91.9	8	25	37	12.0	11.0	108	14.0	40.6	19.0
FCX10	50	162	136	96.2	7	25	41	16.0	11.0	118	14.0	40.4	22.2
FCX11	55	180	152	107.5	4	26	48	22.0	13.0	127	16.0	43.7	25.4
FCX12	60	194	165	116.7	11	33	50.7	20	14	140	16	50.7	25.4
FCX13	65	194	165	117	11	33	55.4	20	14	140	16	74.6	30.2
FCX14	70	222	190	134	14	36	58.5	20	14	164	19	77.8	33.3
FCX15	75	222	190	134	12	35	61.3	22	16	164	19	82.6	33.3
FCX16	80	260	219	155	10	36	61.6	25	19	186	23	58.7	34.1
FCX17	85	260	219	155	10	36	66.3	25	19	186	23	96	39.7
FCX18	90	260	219	155	12	43	73.1	28	19	186	23	104	42.9
FCX20	100	276	238	168	22	66	90.3	28	22	206	23	118	49.2

FCT200 Series

3-Bolt Round Flange Cartridge Housing Triangular



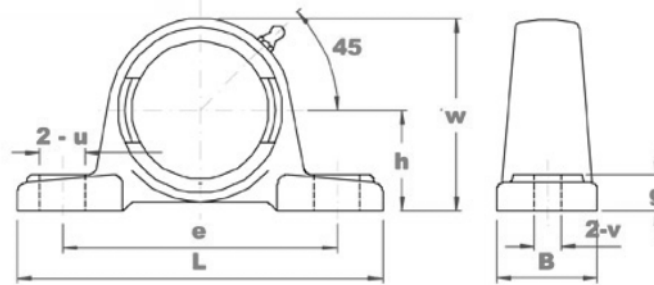
Part No.	Dimensions (mm)										Housing Wt (kg)
	a	e	i	g	l	s	b	z	Bi	n	
FCT203	81	63.5	10.7	10.7	17.5	7.2	-	28.6	-	6.0	-
FCT204	90.4	71.4	11	10	20	8.7	62	29	25	7	0.2
FCT205	95.2	76.2	10.3	12	20	8.7	72	29.8	27	7.5	0.2
FCT206	112.5	90.5	12	12	22	10.3	84	34	30	8	0.3
FCT207	122	100	11.6	12.7	23	10.3	88	35.1	32	8.5	0.5

NB. Finer Power Transmissions P/L is transitioning into NBR Bearings. Unless NBR Bearings are specifically requested, any remaining PFB/TNC stock will be supplied.

Every effort has been taken to ensure that the data listed in this catalogue is correct. Finer Power Transmissions P/L will not accept liability for any damage or loss caused as a result of the data in this catalogue.

P000 Silver Series (Extra Light Duty)

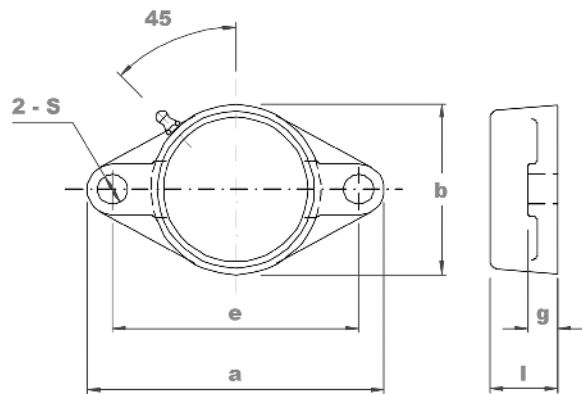
2-Bolt Pillow Block Housing



Part No.	Dimensions (mm)								N.W. (kg)
	d	h	L	e	B	v	u	g	
P000	10	18	67	53	16	7	7	6	0.035
P001	12	19	71	56	16	7	7	6	0.038
P002	15	22	80	63	16	7	7	7	0.043
P003	17	24	85	67	18	7	7	7	0.047
P004	20	28	100	80	20	10	10	9	0.055
P005	25	32	112	90	20	10	10	10	0.062
P006	30	36	132	106	26	13	13	11	0.070

FL000 Silver Series (Extra Light Duty)

2-Bolt Oval Flanged Housing

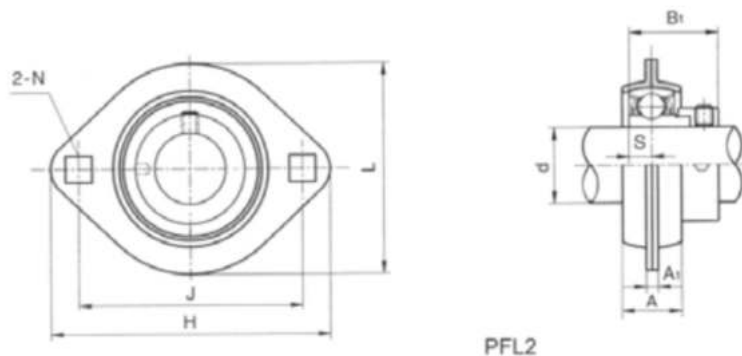


Part No.	Dimensions (mm)								N.W. (kg)
	d	a	e	g	l	s	b	g	
FL000	10	60	45	5.5	11.5	7	36	37	0.035
FL001	12	63	48	5.5	11.5	7	38	46	0.038
FL002	15	67	53	6.5	13	7	42	54	0.043
FL003	17	71	56	7	14	7	46	60	0.047
FL004	20	90	71	8	16	10	55	103	0.055
FL005	25	95	75	8	16	10	60	113	0.062
FL006	30	112	85	9	18	13	70	176	0.070

NB. Finer Power Transmissions P/L is transitioning into NBR Bearings. Unless NBR Bearings are specifically requested, any remaining PFB/TNC stock will be supplied.

PFL200 Pressed Metal Series

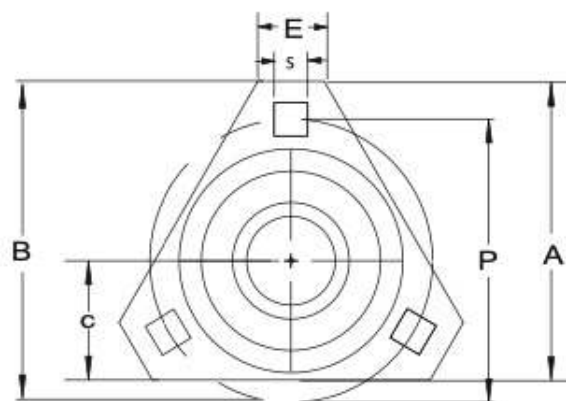
2-Bolt Oval Flanged Housing



Part No.	Dimensions (mm)									N.W. (kg)
	d	H	J	A	A1	N	L	B1	S	
PFL203	17	81	63.5	14	4	7.5	59	28.6	6.5	0.07
PFL204	20	90	71.5	16	4	9	67	31	7.5	0.09
PFL205	25	95	76	18	4	9	71	31	7.5	0.09
PFL206	30	113	90.5	19	5	11	84	35.7	9	0.15
PFL207	35	125	100	21	5	11	94	38.9	9	0.4
PFL208	40	148	119	21	6.8	13.5	110	43.7	11	0.5
PFL209	45	150	120.5	23	6.8	13.5	115	43.7	11	0.6

PFT200 Pressed Metal Series

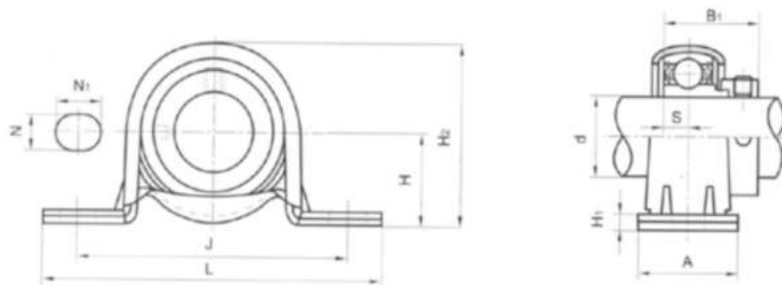
3-Bolt Flange Triangle Housing



Part No.	Dimensions (mm)						Bolts	N.W. (kg)
	A	B	C	S	E	P		
PFT203	76.2	83.74	28.575	7.14	20.63	63.5	1/4	0.06
PFT204	76.2	90.49	33.34	8.73	26.99	71.44	5/16	0.11
PFT205	79.38	95.25	34.93	8.73	27.78	76.2	5/16	0.20
PFT206	93.66	112.71	38.1	10.32	25.4	90.49	3/8	0.24
PFT207	105.57	126.60	44.45	10.32	32.15	100.01	3/8	0.25
PFT208	-	148	50	14	-	119		0.50

PP200 Pressed Metal Series

2-Bolt Pillow Block Housing

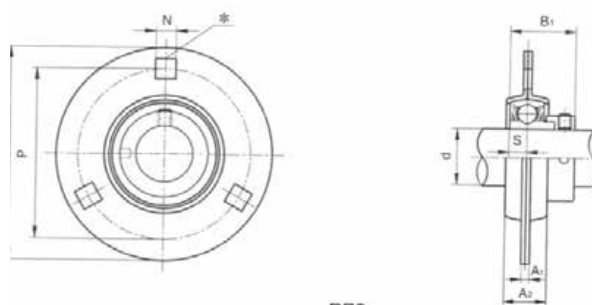


PP2

Part No.	Dimensions (mm)											N.W. (kg)
	d	H	L	J	A	N	N1	H1	H2	S	B1	
PP203	17	22.2	86	68	25	9	12.7	3.2	43.8	6	22	0.06
PP204	20	25.4	98	76	32	9	12.7	3.2	50.5	7	25	0.08
PP205	25	28.6	108	86	32	11	14.3	4	56.6	7.5	27	0.1
PP206	30	33.3	117	95	38	11	14.3	4	66.3	8	30	0.15
PP207	35	39.7	129	106	23.8	11	14.3	5	78	8.5	32	0.2
PP208	40	43.7	148	120	24.5	11	14.3	5	86.5	9	34	0.3
PP209	45	46.8	156	128	31.5	11	14.3	6	93.5	10.2	41.2	0.3

PF200 Pressed Metal Series

Flanged Round Housing

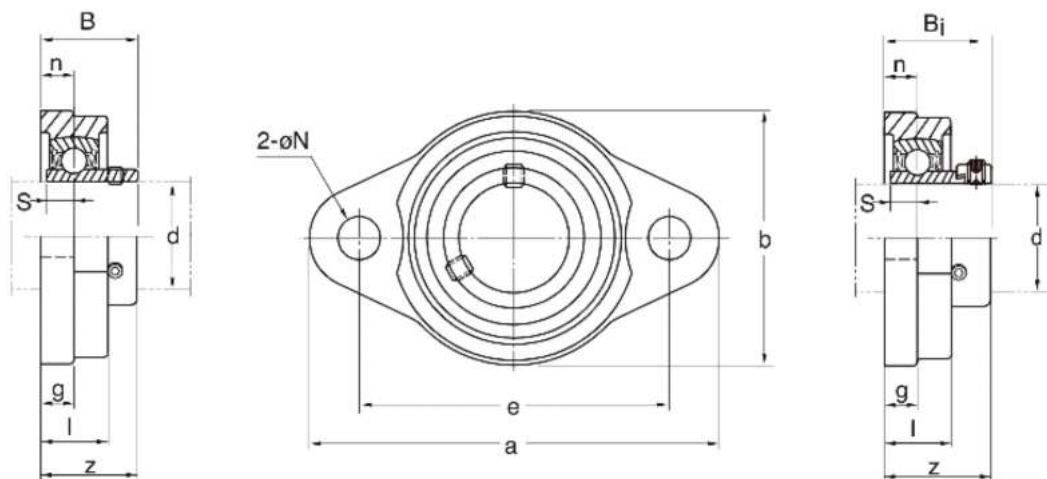


PF2

Part No.	Dimensions (mm)								Bolts	N.W. (kg)
	d	L	P	A1	N	A2	B1	S		
PF203	17	81	63.5	4	7.1	14	28.6	6.5	3	0.11
PF204 (G)	20	90	71.5	4	9	16	31	7.5	3	0.13
PF205 (G)	25	95	76	4	9	18	33	7.5	3	0.14
PF206 (G)	30	113	90.5	5	11	19	36	9	3	0.25
PF207 (G)	35	122	100	5	11	20	38	9.6	3	0.4
PF208 (G)	40	148	119	7	13.5	23	40.5	8.6	4	0.5
PF209 (G)	45	150	120	7	13.5	23	41.2	9.1	4	0.6

(G) = Greaseable series also available

UFL000 Silver Series (KFL)

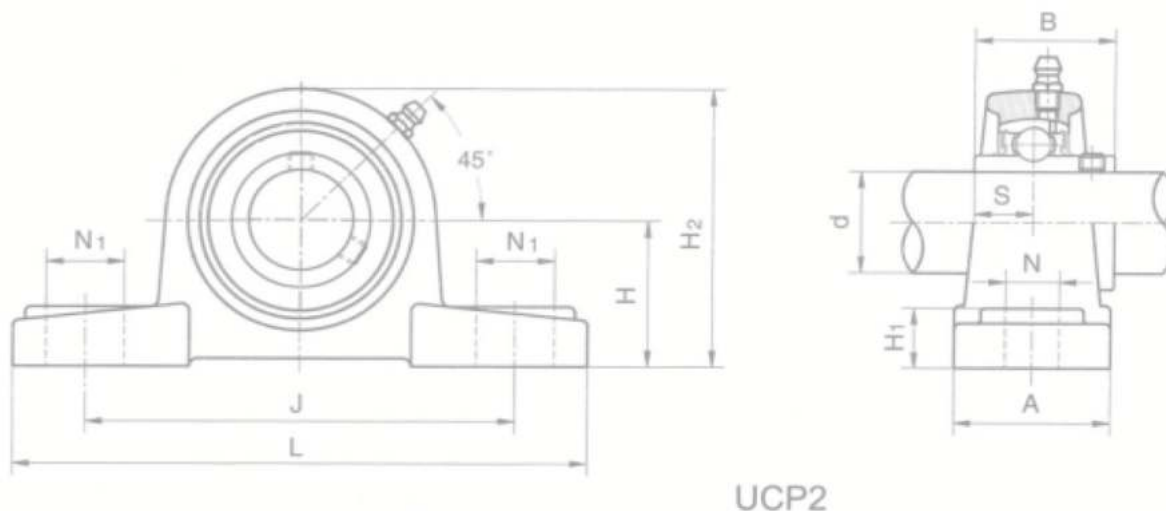


Unit Number	Dimensions (mm)											Bolt Used No.	Bearing No.	Housings No.
	d	a	e	l	g	l	s	b	z	Bi	n			
UFL000	10	60	45	5.5	5.5	11.5	7	36	15.5	14	4	M6	U000	FL000
UFL001	12	63	48	5.5	5.5	11.5	7	38	16	14.5	4	M6	U001	FL001
UFL002	15	67	53	6.5	6.5	13	7	42	18.6	16.5	4.5	M6	U002	FL002
UFL003	17	71	56	7	7	14	7	46	19.5	17.5	5	M6	U003	FL003
UFL004	20	90	71	8	8	16	10	55	23	21	6	M8	U004	FL004
UFL005	25	95	75	8	8	16	10	60	24.5	22.5	6	M8	U005	FL005
UFL006	30	112	85	9	9	18	13	70	27	24.5	6.5	M10	U006	FL006

UFL000ER Silver Series (KFL)

Unit Number	Dimensions (mm)											Bolt Used No.	Bearing No.	Housings No.
	d	a	e	l	g	l	s	b	z	Bi	n			
UFL000ER	10	60	45	5.5	5.5	11.5	7	36	19	17.5	4	M6	U000ER	FL000
UFL001ER	12	63	48	5.5	5.5	11.5	7	38	19	17.5	4	M6	U001ER	FL001
UFL002ER	15	67	53	6.5	6.5	13	7	42	20.5	18.5	4.5	M6	U002ER	FL002
UFL003ER	17	71	56	7	7	14	7	46	22.5	20.5	5	M6	U003ER	FL003
UFL004ER	20	90	71	8	8	16	10	55	26.5	24.5	6	M8	U004ER	FL004
UFL005ER	25	95	75	8	8	16	10	60	27.5	25.5	6	M8	U005ER	FL005
UFL006ER	30	85	85	9	9	18	13	70	29	26.5	6.5	M10	U006ER	FL006

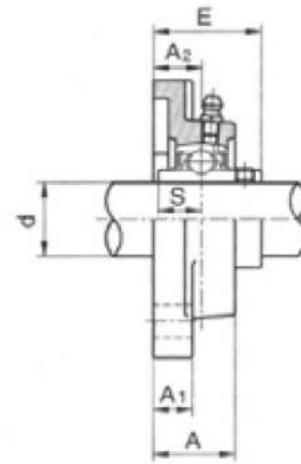
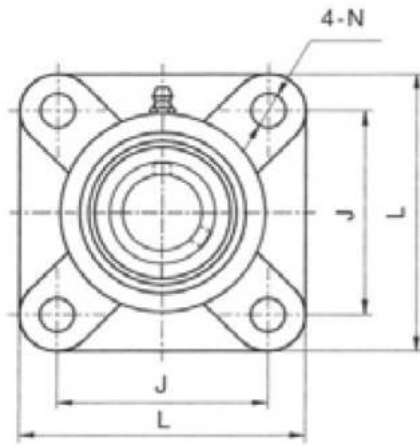
UCP200 Series



UCP2

Part No.	Dimensions (mm)												N.W. (kg)
	d (mm)	d (inch)	H	L	A	J	N	N1	H1	H2	B	S	
UCP205	25	-	36.5	140	38	105	13	19	16	70	34.1	14.3	0.91
UCP205-16	-	1	36.5	140	38	105	13	19	16	70	34.1	14.3	0.91
UCP206	30	-	42.9	165	48	121	17	21	18	83	38.1	15.9	1.32
UCP207	35	-	47.6	167	48	127	17	21	19	94	42.9	17.5	1.72
UCP207-20	-	1.25	47.6	167	48	127	17	21	19	94	42.9	17.5	1.72
UCP208	40	-	49.2	184	54	137	17	23	19	100	49.2	19	2.14
UCP208-24	-	1.5	49.2	184	54	137	17	23	19	100	49.2	19	2.14
UCP209	45	-	54	190	54	146	17	23	20	108	49.2	19	2.45
UCP210	50	-	57.2	206	60	159	20	25	22	114	51.6	19	3.1
UCP210-32	-	2	57.2	206	60	159	20	25	22	114	51.6	19	3.1
UCP211	55	-	63.5	219	60	171	20	25	22	126	55.6	22.2	3.85
UCP212	60	-	69.8	241	70	184	20	25	25	138	65.1	25.4	5.1

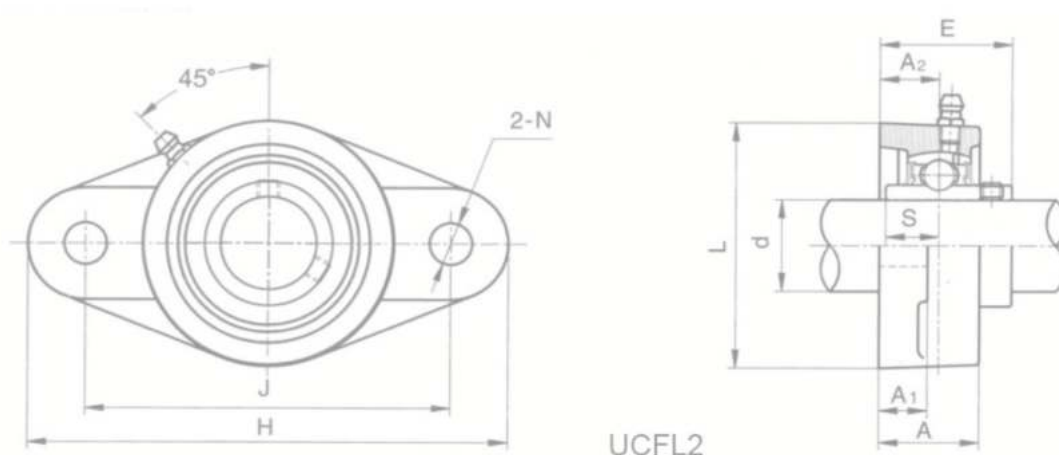
UCF200 Series



UCF2

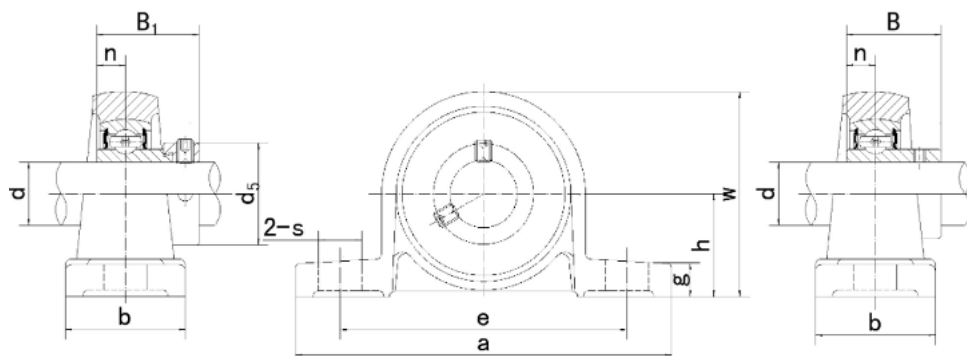
Part No.	Dimensions (mm)											N.W. (kg)
	d1 (mm)	d1 (inch)	L	A	J	N	A1	A2	A0	B	S	
UCF205	25	-	95	27	70	12	14	16	35.7	34	14.3	0.82
UCF205-16	-	1	95	27	70	12	14	16	35.7	34	14.3	0.82
UCF206	30	-	108	31	83	12	14	18	40.2	38.1	15.9	1.13
UCF207	35	-	117	34	92	14	16	19	44.4	42.9	17.5	1.42
UCF207-20	-	1.25	117	34	92	14	16	19	44.4	42.9	17.5	1.42
UCF208	40	-	130	36	102	16	16	21	51.2	49.2	19	1.87
UCF208-24	-	1.5	130	36	102	16	16	21	51.2	49.2	19	1.87
UCF209	45	-	137	38	105	16	18	22	52.2	49.2	19	2.15
UCF210	50	-	143	40	111	16	18	22	54.6	51.6	19	2.45
UCF210-32	-	2	143	40	111	16	18	22	54.6	51.6	19	2.45
UCF211	55	-	162	43	130	19	20	25	58.4	55.6	22.2	3.4
UCF212	60	-	175	48	143	19	20	29	68.7	65.1	25.4	4.17

UCFL200 Series



Part No.	Dimensions (mm)												N.W. (kg)
	d (mm)	d (inch)	H	J	L	A2	A1	A	N	E	S	S	
UCFL205	25	-	130	99	68	16	13	27	16	35.8	14.3	0.64	0.91
UCFL205-16	-	1	130	99	68	16	13	27	16	35.8	14.3	0.64	0.91
UCFL206	30	-	148	117	80	18	13	31	16	40.2	15.9	0.93	1.32
UCFL207	35	-	161	130	90	19	15	34	16	44.4	17.5	1.2	1.72
UCFL207-20	-	1.25	161	130	90	19	15	34	16	44.4	17.5	1.2	1.72
UCFL208	40	-	175	144	100	21	15	36	16	51.2	19	1.59	2.14
UCFL208-24	-	1.5	175	144	100	21	15	36	16	51.2	19	1.59	2.14
UCFL209	45	-	188	148	108	22	16	38	19	52.2	19	1.84	2.45
UCFL210	50	-	197	157	115	22	16	40	19	54.6	19	2.15	3.1
UCFL210-32	-	2	197	157	115	22	16	40	19	54.6	19	2.15	3.1
UCFL211	55	-	224	184	130	25	18	43	19	58.4	22.2	3.1	3.85
UCFL212	60	-	250	202	140	29	18	48	23	68.7	25.4	3.99	5.1

UP000 Silver Series



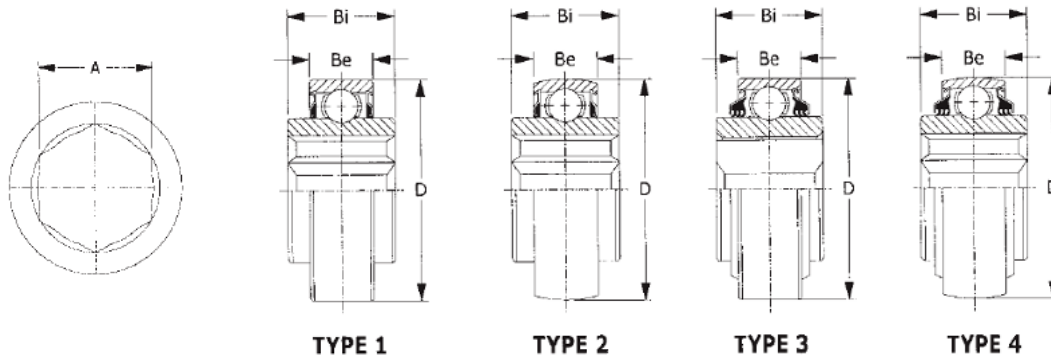
Part No.	Dimensions (mm)										Weight (g)	Bolt Size	Bearing No.	Housing No.
	d	h	a	e	b	s	g	w	B/Bi	n				
UP000	10	18	67	53	16	7	6	35	14	4	70	M6	U000	P000
UP001	12	19	71	56	16	7	6	38	14.5	4	90	M6	U001	P001
UP002	15	22	80	63	16	7	7	43	16.5	4.5	130	M6	U002	P002
UP003	17	24	85	67	18	7	7	47	17.5	5	160	M6	U003	P003
UP004	20	28	100	80	20	9	9	55	21	6	230	M8	U004	P004
UP005	25	32	112	90	20	10	10	62	22.5	6.5	290	M8	U005	P005
UP006	30	36	132	106	26	13	11	70	24.5	6.5	450	M10	U006	P006
UP000ER	10	18	67	53	16	7	6	35	17.5	4	80	M6	U000ER	P000

UP000ER Silver Series

Part No.	Dimensions (mm)										Weight (g)	Bolt Size	Bearing No.	Housing No.
	d	h	a	e	b	s	g	w	B/Bi	n				
UP001ER	12	19	71	56	16	7	6	38	17.5	4	90	M6	U001ER	P001
UP002ER	15	22	80	63	16	7	7	43	18.5	4.5	130	M6	U002ER	P002
UP003ER	17	24	85	67	18	7	7	47	20.5	5	160	M6	U003ER	P003
UP004ER	20	28	100	80	20	9	9	55	24.4	6	230	M8	U004ER	P004
UP005ER	25	32	112	90	20	10	10	62	25.5	6.5	290	M8	U005ER	P005
UP006ER	30	36	132	106	26	13	11	70	26.5	6.5	450	M10	U006ER	P006

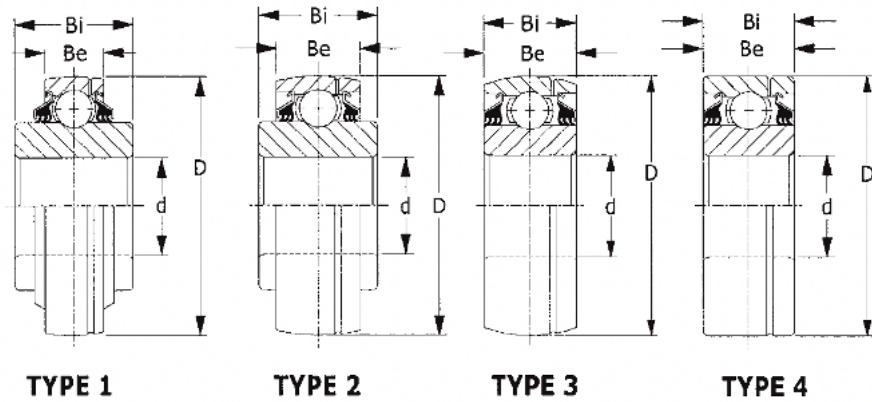
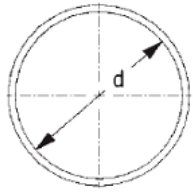
ER = Collar Type

Deep Groove Hex Bore Ball Bearings



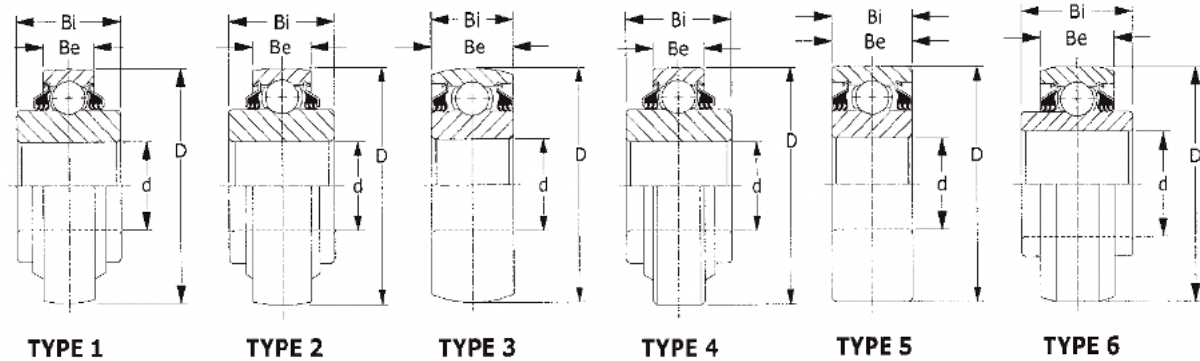
Part No.	Type	Hex Shaft Size	Unit of Measure	A	D	Be	Bi	Load Ratings		Wt. Lbs.
								Dynamic	Static	
202KRR3	1	9/16"	Inch	0.563	1.378	0.433	0.512	2.16	1	0.12
			mm	14.3	35	11	13			
204KRR2	1	11/16"	Inch	0.695	1.8504	0.551	0.825	2.9	1.41	0.32
			mm	17.653	47	14	20.955			
205KRR2	1	7/8"	Inch	0.876	2.0472	0.591	1	3.15	1.61	0.44
			mm	22.25	52	15	25.4			
205KRRB2	2	7/8"	Inch	0.876	2.0472	0.591	1	3.15	1.61	0.44
			mm	22.25	52	15	25.4			
206KRRB3	2	1 1/8"	Inch	1.126	2.4409	0.63	0.945	4.37	2.32	0.75
			mm	28.6	62	16	24			
206KRRB6	2	1"	Inch	1.001	2.4409	0.63	0.945	4.37	2.32	0.75
			mm	25.425	62	16	24			
206KRRB9	2	1"	Inch	1.001	2.4409	0.63	0.945	4.37	2.32	0.75
			mm	25.425	62	16	24			
207KRRB9	2	1 1/8"	Inch	1.126	2.8346	0.669	1.484	5.77	3.15	1
			mm	28.6	72	17	37.694			
207KRRB12	2	1 1/8"	Inch	1.126	2.8346	0.669	0.984	5.77	3.15	0.87
			mm	28.6	72	17	25			
209KRRB2	2	1 1/2"	Inch	1.501	3.3465	0.748	1.181	7.35	4.15	1.27
			mm	38.125	85	19	30			

Deep Groove Round Bore Ball Bearings



Part No.	Type	Unit of Measure	d	D	Bi	Be	Load	Ratings	Wt. Lbs.
							Dynamic	Static	
203KRR2	1	inch	0.64	1.5748	0.72	0.4724	2.16	889	0.16
		mm	16.26	40	18.288	12			
203KRR3	1	inch	0.628	2	0.5906	0.5906	2.16	889	0.16
		mm	15.91	50.8	15	15			
203KRR5	1	inch	0.515	1.5748	0.72	4.724	2.16	889	0.22
		mm	13.081	40	18.288	12			
204BBAR	-	inch	0.7504	1.7805	-	-	-	-	-
		mm	19.060	45.225	-	-			
204RY2	-	inch	0.6310	1.7805	-	-	-	-	-
		mm	16.027	45.225	-	-			
205KRP2	3	inch	0.756	2.0472	0.831	0.9606	3.15	1.61	0.44
		mm	19.202	52	21.107	15			
205PPB7	2	inch	0.9375	2.0472	1.375	0.9606	3.15	1.61	0.44
		mm	23.813	52	34.925	15			
206KRR13	2	inch	0.75	2.441	0.623	0.945	4.37	2.32	0.75
		mm	19.05	62	16	24			
208NPPB5	-	inch	1.438	3.1496	0.8661	0.8661	7.34	3.65	1.04
		mm	36.525	80	22	22			
5203KYY2	2	inch	0.64	1.5748	1.737	1.5402	-	-	-
		mm	16.256	40	44.12	39.12			
6203KRR2	-	inch	0.511	1.57	0.717	0.470	-	-	-
		mm	13	40	18.20	11.92			
5206KPP3	-	inch	1.187	2.4409	-	-	-	-	-
		mm	37	62	-	-			

Disc Harrow Bearings - Round Bore Non-Greaseable



Part No.	Type	Unit of Measure	d	D	Be	Bi	Load Ratings		Wt. Lbs.
							Dynamic	Static	
W208PPB2	1	Inch	1.5005	3.1496	0.709	1.688	7340	3650	1.59
		mm	38.113	80	18	42.875			
W208PPB7	2	Inch	1.188	3.1496	0.709	1.188	7340	3650	1.41
		mm	30.175	80	18	30.175			
W208PP10	4	Inch	1.5005	3.1496	0.827	1.688	7340	3650	1.5
		mm	38.113	80	21	42.875			
W208PPB23	2	Inch	1.5005	3.1496	1.188	1.688	7340	3650	1.5
		mm	38.113	80	30.175	42.875			
W210PP2	5	Inch	1.938	3.5433	1.188	1.188	7880	4650	1.69
		mm	49.225	90	30.175	30.175			
W210PP8	5	Inch	1.53	3.5433	1.188	1.188	7880	4650	1.97
		mm	38.862	90	30.175	30.175			
W211PP2	5	Inch	2.188	3.937	1.312	1.312	9740	5850	2.33
		mm	55.575	100	33.325	33.325			
W211PPB2	3	Inch	2.188	3.937	1.312	1.312	9740	5850	3
		mm	55.575	100	33.325	33.325			
W214PP2	5	Inch	2.7559	4.9213	1.562	1.562	14000	8800	4.19
		mm	70	125	39.675	39.675			
W214PPB9	3	Inch	2.766	4.9213	1.102	1.75	14000	8800	3.96
		mm	70.256	125	28	44.45			

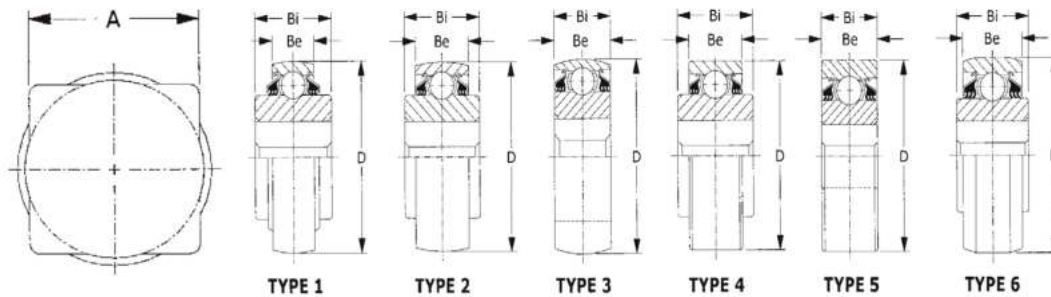
Disc Harrow Bearings - Round Bore Greaseable

Part No.	Type	Unit of Measure	d	D	Be	Bi	Load Ratings		Wt. Lbs.
							Dynamic	Static	
GW208PPB2	1	Inch	1.5005	3.1496	0.709	1.688	7340	3650	1.59
		mm	38.113	80	18	42.875			
GW208PPB4	3	Inch	1.882	3.1496	1.882	1.882	7340	3650	1.59
		mm	30.18	80	30.18	30.18			
GW208PPB7	2	Inch	1.188	3.1496	0.709	1.188	7340	3650	1.41
		mm	30.175	80	18	30.175			
GW208PP10	4	Inch	1.5005	3.1496	0.827	1.688	7340	3650	1.5
		mm	38.113	80	21	42.875			
GW208PPB23	2	Inch	1.5005	3.1496	1.188	1.688	7340	3650	1.5
		mm	38.113	80	30.175	42.875			
GW209PPB2	3	Inch	1.7717	3.3465	1.188	1.188	7350	4150	1.44
		mm	45	85	30.175	30.175			
GW209PPB4	3	Inch	1.535	3.3465	1.188	1.188	7350	4150	1.65
		mm	39	85	30.175	30.175			
GW209PPB11	1	Inch	1.781	3.3465	0.866	1.438	7350	4150	1.37
		mm	45.237	85	22	36.525			
GW210PP2	5	Inch	1.938	3.5433	1.188	1.188	7880	4650	1.69
		mm	49.225	90	30.175	30.175			
GW210PPB2	3	Inch	1.938	3.5433	1.188	1.188	7880	4650	1.5
		mm	49.225	90	30.175	30.175			
GW210PP3	5	Inch	1.375	3.1496	1.188	1.188	7880	4650	1.5
		mm	34.925	80	30.175	30.175			
GW210PPB5	3	Inch	1.785	3.5433	1.188	1.188	7880	4650	1.8
		mm	45.339	90	30.175	30.175			
GW210PP8	5	Inch	1.53	3.5433	1.188	1.188	7880	4650	1.97
		mm	38.862	90	30.175	30.175			
GW210PP9	5	Inch	1.945	3.5433	0.906	1.438	7880	4650	1.75
		mm	49.403	90	23	36.525			
GW211PP2	5	Inch	2.188	3.937	1.312	1.312	9740	5850	2.33
		mm	55.575	100	33.325	33.325			
GW211PPB2	3	Inch	2.188	3.937	1.312	1.312	9740	5850	3
		mm	55.575	100	33.325	33.325			
GW211PPB8	1	Inch	2.188	3.937	0.984	1.312	9740	5850	1.85
		mm	55.575	100	25	33.325			
GW211PPB9	1	Inch	2.195	3.937	0.984	1.562	9740	5850	2.02
		mm	55.753	100	25	39.675			
GW211PPB10	3	Inch	1.938	3.937	1.312	1.312	9740	5850	2.26
		mm	49.225	100	33.325	33.325			
GW211PPB13	1	Inch	1.785	3.937	0.984	1.312	9740	5850	2.02
		mm	45.339	100	25	33.325			
GW211PPB14	1	Inch	2.015	3.937	0.984	1.312	9740	5850	2
		mm	51.181	100	25	33.325			
GW211PP25	5	Inch	1.78	3.937	1.312	1.75	9740	5850	2.44
		mm	45.212	100	33.325	44.45			

Disc Harrow Bearings - Round Bore Greaseable

Part No.	Type	Unit of Measure	d	D	Be	Bi	Load Ratings		Wt. Lbs.
							Dynamic	Static	
GW214PP2	5	Inch	2.7559	4.9213	1.562	1.562	14000	8800	4.19
		mm	70	125	39.675	39.675			
GW214PPB2	3	Inch	2.7559	4.9213	1.562	1.562	14000	8800	3.96
		mm	70	125	39.675	39.675			
GW214PPB3	3	Inch	1.938	4.9213	1.562	1.562	14000	8800	4.24
		mm	49.225	125	39.675	39.675			
GW214PPB5	2	Inch	2.7559	4.9213	1.562	2.438	14000	8800	4.75
		mm	70	125	39.675	61.925			
GW214PPB6	1	Inch	2.6881	4.9213	1.1024	2.6875	14000	8800	5.14
		mm	68.278	125	28	68.263			
GW214PPB9	3	Inch	2.766	4.9213	1.102	1.75	14000	8800	3.96
		mm	70.256	125	28	44.45			
GW216PP5	5	Inch	2.5	5.512	1.1811	2.5	16820	10400	6.32
		mm	63.88	140	30	63.5			

Disc Harrow Bearings - Square Bore Non-Greaseable

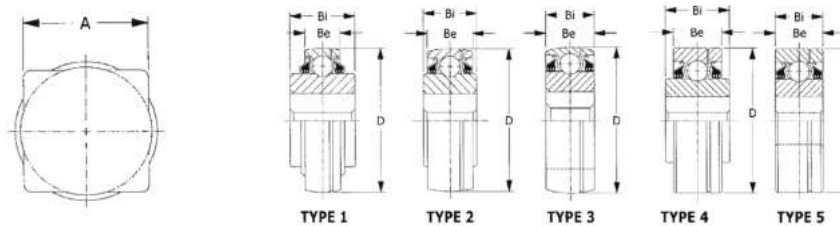


Part No.	Type	Unit of Measure	Shaft Size	A	D	Be	Bi	Load Ratings		Wt. Lbs.
								Dynamic	Static	
W208PP5	4	Inch	1 1/8	1.18	3.1496	0.709	1.438	7340	3650	1.5
		mm	28.575	29.97	80	18	36.52			
W208PPB5	1	Inch	1 1/8	1.18	3.1496	0.709	1.438	7340	3650	1.47
		mm	28.575	29.97	80	18	36.52			
W208PP6	4	Inch	1	1.03	3.1496	0.709	1.438	7340	3650	1.62
		mm	25.4	26.162	80	18	36.52			
W208PP8	4	Inch	1 1/8	1.18	3.1496	1.188	1.438	7340	3650	1.66
		mm	28.575	29.972	80	30.175	36.52			
W208PPB8	2	Inch	1 1/8	1.18	3.1496	1.188	1.438	7340	3650	1.66
		mm	28.575	29.972	80	30.175	36.52			
W208PP9	2	Inch	1	1.03	3.1496	1.188	1.438	7340	3650	1.74
		mm	25.4	26.162	80	30.175	36.520			
W208PPB12	6	Inch	1 1/8	1.18	3.376	1.188	1.438	7340	3650	1.62
		mm	28.575	29.972	85.75	30.175	36.52			
W208PPB13	1	Inch	7/8	0.905	3.1496	0.709	1.438	7340	3650	1.62
		mm	22.225	23	80	18	36.52			
W208PP20	1	Inch	1 1/8	1.18	3.1496	0.709	1.438	7340	3650	1.47
		mm	28.575	29.97	80	18	36.52			

Disc Harrow Bearings - Square Bore Non-Greaseable

Part No.	Type	Unit of Measure	Shaft Size	A	D	Be	Bi	Load Ratings		Wt. Lbs.
								Dynamic	Static	
W209PPB5	2	Inch	1 1/4	1.29	3.3465	1.188	1.438	7350	4150	1.75
		mm	31.75	32.766	85	30.175	36.52			
W210PP4	5	Inch	1 1/8	1.18	3.5433	1.188	1.188	7880	4650	1.92
		mm	28.575	29.972	90	30.175	30.15			
W210PPB4	3	Inch	1 1/8	1.18	3.5433	1.188	1.188	7880	4650	2.11
		mm	28.575	29.972	90	30.175	30.175			
W210PPB6	2	Inch	1 1/8	1.18	3.5433	1.188	1.438	7880	4650	2.11
		mm	28.575	29.972	90	30.175	36.52			
W211PP3	5	Inch	1 1/2	1.5311	3.937	1.312	1.312	9740	5850	2.79
		mm	38.1	38.89	100	33.324	33.324			
W211PPB3	3	Inch	1 1/2	1.5311	3.937	1.312	1.312	9740	5850	2.66
		mm	38.1	38.89	100	33.324	33.324			
W211PP5	4	Inch	1 1/2	1.5311	4	1.438	1.75	9740	5850	3.38
		mm	38.1	38.89	101.6	36.52	44.45			
W211PPB6	6	Inch	1 1/2	1.5311	4.077	1.438	1.75	9740	5850	4.05
		mm	38.1	38.89	103.556	36.52	44.45			
W211PP29	1	Inch	1.575	-	4.077	0.984	1.313	9740	5850	4.05
		mm	40	-	103.556	25	33.34			
W211PP30	5	Inch	1.575	-	4.077	1.313	1.313	9740	5850	4.05
		mm	40	-	103.556	33.34	33.34			
W211PPB30	3	Inch	1.575	-	4.077	1.313	1.313	9740	5850	4.05
		mm	40	-	103.556	33.34	33.34			
W211PP34	4	Inch	1.575	-	4	1.438	1.75	9740	5850	4.05
		mm	-	-	-	-	-			

Disc Harrow Bearings - Square Bore Greaseable

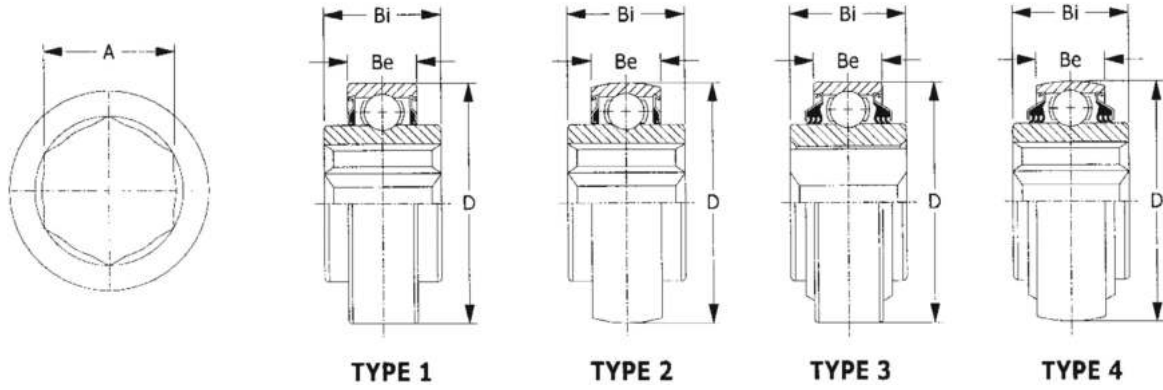


Part No.	Type	Shaft Size	A	D	Be	Bi	Load Ratings		Wt. Lbs.	
							Dynamic	Static		
GW208PP5	4	Inch	1 1/8	1.18	3.1496	0.709	1.438	7340	3650	1.5
		mm	28.575	29.97	80	18	36.52			
GW208PPB5	1	Inch	1 1/8	1.18	3.1496	0.709	1.438	7340	3650	1.47
		mm	28.575	29.97	80	18	36.52			
GW208PP6	4	Inch	1	1.03	3.1496	0.709	1.438	7340	3650	1.62
		mm	25.4	26.162	80	18	36.52			
GW208PP8	4	Inch	1 1/8	1.18	3.1496	1.188	1.438	7340	3650	1.66
		mm	28.575	29.972	80	30.175	36.52			
GW208PPB8	2	Inch	1 1/8	1.18	3.1496	1.188	1.438	7340	3650	1.66
		mm	28.575	29.972	80	30.175	36.52			
GW208PP9	2	Inch	1	1.03	3.1496	1.188	1.438	7340	3650	1.74
		mm	25.4	26.162	80	30.175	36.520			
GW208PP8	4	Inch	1 1/8	1.18	3.1496	1.188	1.438	7340	3650	1.66
		mm	28.575	29.972	80	30.175	36.52			

Disc Harrow Bearings - Square Bore Greaseable

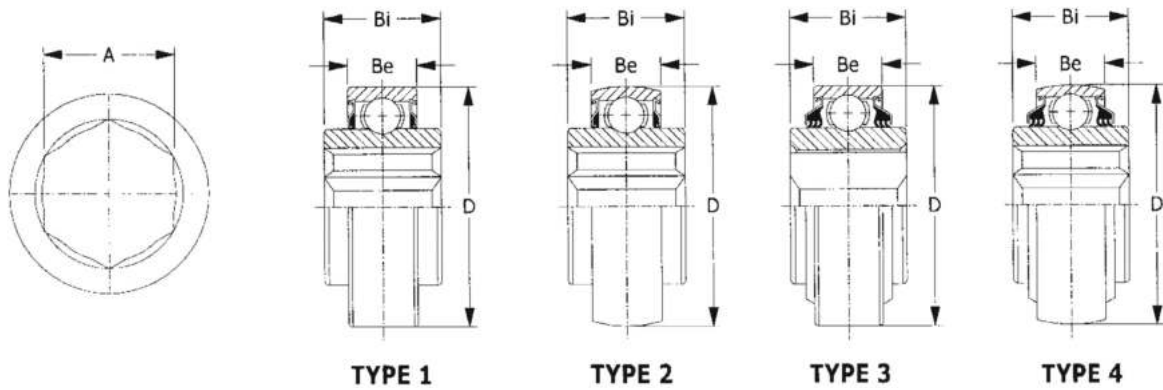
Part No.	Type	Shaft Size	A	D	Be	Bi	Load Ratings		Wt. Lbs.
							Dynamic	Static	
GW208PPB8	Inch	1 1/8	1.18	3.1496	1.188	1.438	7340	3650	1.66
	mm	28.575	29.972	80	30.175	36.52			
GW208PP9	Inch	1	1.03	3.1496	1.188	1.438	7340	3650	1.74
	mm	25.4	26.162	80	30.175	36.520			
GW208PP17	Inch	1.18	-	3.3755	1.188	1.438	7340	3650	2.04
	mm	29.972	-	85.738	30.175	36.525			
GW208PP20	Inch	1 1/8	1.18	3.1496	0.709	1.438	7340	3650	1.47
	mm	28.575	29.97	80	18	36.52			
GW208PPB12	Inch	1 1/8	1.18	3.376	1.188	1.438	7340	3650	1.62
	mm	28.575	29.972	85.75	30.175	36.52			
GW208PPB13	Inch	7/8	0.905	3.1496	0.709	1.438	7340	3650	1.62
	mm	22.225	23	80	18	36.52			
GW208PPB17	Inch	1.18	-	3.3755	1.188	1.438	7340	3650	1.47
	mm	29.972	-	85.738	30.175	36.525			
GW209PPB5	Inch	1 1/4	1.29	3.3465	1.188	1.438	7350	4150	1.75
	mm	31.75	32.766	85	30.175	36.52			
GW210PP4	Inch	1 1/8	1.18	3.5433	1.188	1.188	7880	4650	1.92
	mm	28.575	29.972	90	30.175	30.15			
GW210PPB4	Inch	1 1/8	1.18	3.5433	1.188	1.188	7880	4650	2.11
	mm	28.575	29.972	90	30.175	30.175			
GW210PPB6	Inch	1 1/8	1.18	3.5433	1.188	1.438	7880	4650	2.11
	mm	28.575	29.972	90	30.175	36.52			
GW211PPB3	Inch	1 1/2	1.5311	3.937	1.312	1.312	9740	5850	2.66
	mm	38.1	38.89	100	33.324	33.324			
GW211PP5	Inch	1 1/2	1.5311	4	1.438	1.75	9740	5850	3.38
	mm	38.1	38.89	101.6	36.52	44.45			
GW211PPB6	Inch	1 1/2	1.5311	4.077	1.438	1.75	9740	5850	4.05
	mm	38.1	38.89	103.556	36.52	44.45			
GW211PP17	Inch	1.5311	-	3.937	1.312	1.75	9740	5850	2.62
	mm	38.89	-	100	33.325	44.45			
GW211PP29	Inch	1.575	-	4.077	0.984	1.313	9740	5850	4.05
	mm	40	-	103.556	25	33.34			
GW211PPB29	Inch	1.574	-	4.077	0.984	1.313	9740	5850	4.05
	mm	40	-	103.556	25	33.34			
GW211PP3	Inch	1.5311	-	3.937	1.312	1.312	39.8	23.9	1,270
	mm	38.89	-	100	33.325	33.325			
GW211PP30	Inch	1.575	-	4.077	1.313	1.313	9740	5850	4.05
	mm	40	-	103.556	33.34	33.34			
GW211PPB30	Inch	1.575	-	4.077	1.313	1.313	9740	5850	4.05
	mm	40	-	103.556	33.34	33.34			
GW214PPB4	Inch	2.0551	-	4.9213	1.562	1.562	14000	8800	4.75
	mm	125	-	39.675	39.675				
GW216PP2	Inch	2.315	-	5.5118	1.181	2.5	16280	10400	6.32
	mm	58.8	-	140	30	63.5			
GW216PPB2	Inch	2.315	-	5.5118	1.181	2.5	16280	10400	6.32
	mm	58.8	-	140	30	63.5			
GW216PPB4	Inch	2.315	-	5.5118	1.181	2.5	16280	10400	6.32
	mm	58.8	-	140	30	63.5			

Disc Harrow Bearings - Hex Bore Non-Greaseable



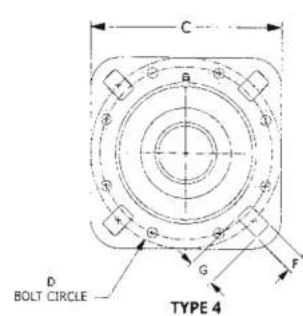
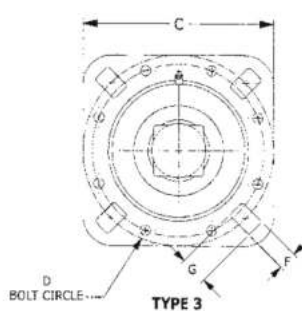
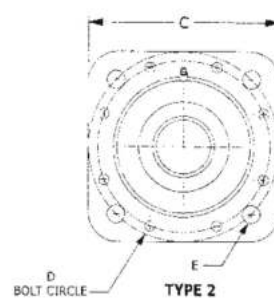
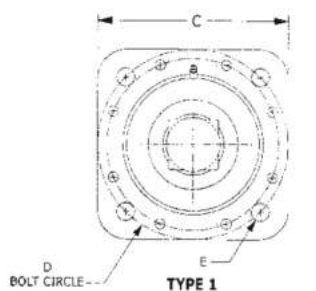
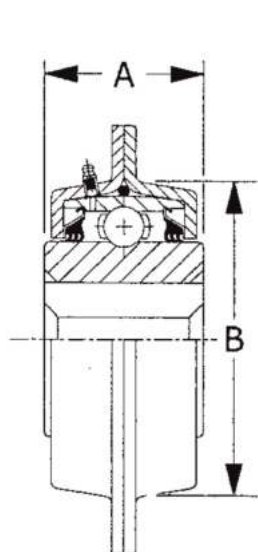
Part No.	Type		Shaft Size	A	D	Be	Bi	Load Ratings		Wt. Lbs.
								Dynamic	Static	
W208KRRB5	2	Inch	1-1/8	1.376	3.1496	0.827	1.438	7.34	3.65	1.31
		mm		34.95	80	21	1.438			
W208KRRB6	2	Inch	1 3/8	1.376	3.1496	0.827	1.438	7.34	3.65	1.31
		mm		34.95	80	21	1.438			

Disc Harrow Bearings - Hex Bore Greaseable



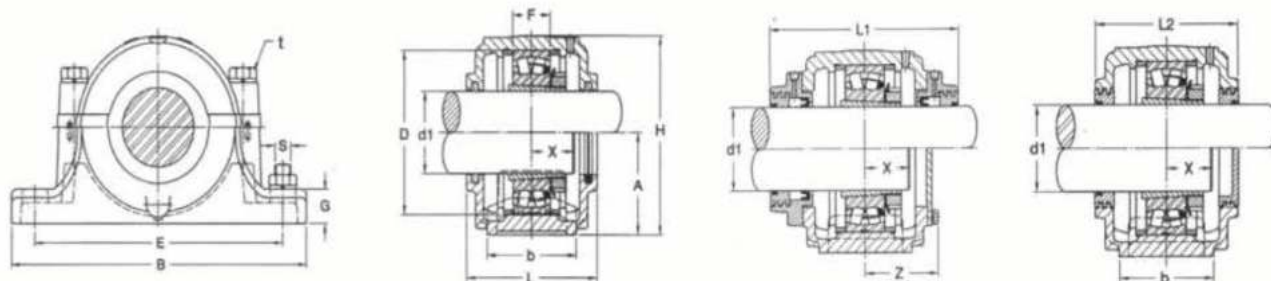
Part No.	Type		Shaft Size	A	D	Be	Bi	Load Ratings		Wt. Lbs.
								Dynamic	Static	
GW208KRRB5	2	Inch	1-1/8	1.376	3.1496	0.827	1.438	7.34	3.65	1.31
		mm		34.95	80	21	36.52			
GW208KRRB6	2	Inch	1 3/8	1.376	3.1496	0.827	1.438	7.34	3.65	1.31
		mm		34.95	80	21	36.52			

Disc Harrow Bearings - Disc Harrow Units



Part No-	Type	Shaft Size	A	B (Min Frame Opening)	C	D	E	F	G
DHU40S-211	1	40.00SQ	55.56	-	5.500	5.500	0.531	-	-
DHU30S-209	3	30.00SQ	1.687	4.000	5.000	5.000	-	0.531	0.687
DHU1-3/4R-209	3	1 3/4SQ	1.687	4.000	5.000	5.000	-	0.531	0.687
DHU1-1/2S-211	3	1 1/2SQ	2.000	4.500	5.500	5.500	-	0.531	0.687
DHU2-3/16R-211	2	2 3/16RD	2.187	4.500	5.500	5.500	0.531	-	-

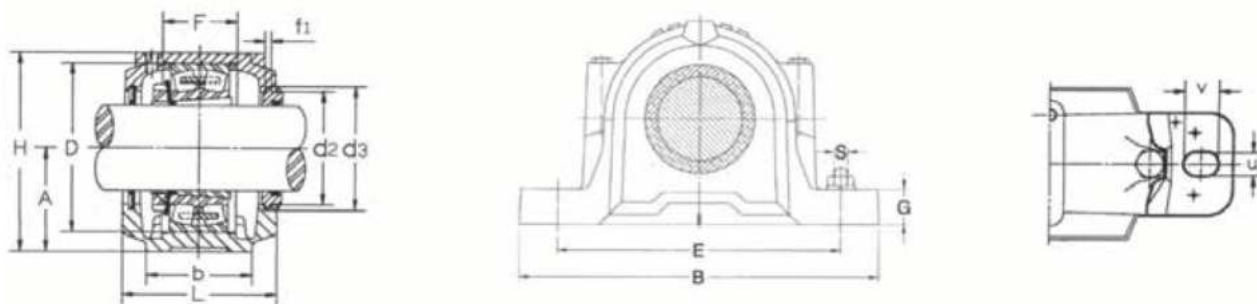
SN500 Series



Part No.	To Suit Shaft Dimensions		Dimensions (mm)														
	mm	in	DH8	B	b	G	FH13	A h13	L	H	E	E1	L1	X	Z	d2H12	L2
SN507	30	1 1/8	72	185	52	22	33	50	82	95	150	25	-	24	-	31.5	-
SN508	35	1 1/4	80	205	60	25	33	60	85	110	170	30	~	26	~	36.5	-
SN509	40	1 1/2	85	205	60	25	31	60	85	112	170	30	~	28	~	41.5	90
SN510	45	1 3/4	90	205	60	25	33	60	90	115	170	30	~	28	~	46.5	95
SN511	50	2	100	255	70	28	33	70	95	130	210	35	160	30	54	51.5	100
SN512	55	2 1/8	110	255	70	30	38	70	105	135	210	35	172	32	62	56.5	110
SN513	60	2 1/4	120	275	80	30	43	80	110	150	230	40	172	36	62	62	115
SN515	65	2 1/2	130	280	80	30	41	80	115	155	230	40	182	38	68	67	120
SN516	70	2 3/4	140	315	90	32	43	95	120	175	260	50	184	40	68	72	125
SN517	75	3	150	320	90	32	46	95	125	185	260	50	184	42	70	77	130
SN518	80	3 1/4	160	345	100	35	62.4	100	145	195	290	50	204	50	81	82	150
SN519	85	-	170	345	100	35	53	112	140	210	290	50	-	-	-	87	152
SN520	90	3 1/2	180	380	110	40	70.3	112	160	218	320	60	224	54	90	92	165
SN522	100	4	200	410	120	45	80	125	175	240	350	70	232	60	92	102	180
SN524	110	4 1/4	215	410	120	45	86	140	185	270	350	70	248	64	95	113	190
SN528	125	5	250	500	150	50	98	150	205	305	420	80	286	70	108	128	210

Note. Included Felt Seal and Spacer Rings

SNK500 Series

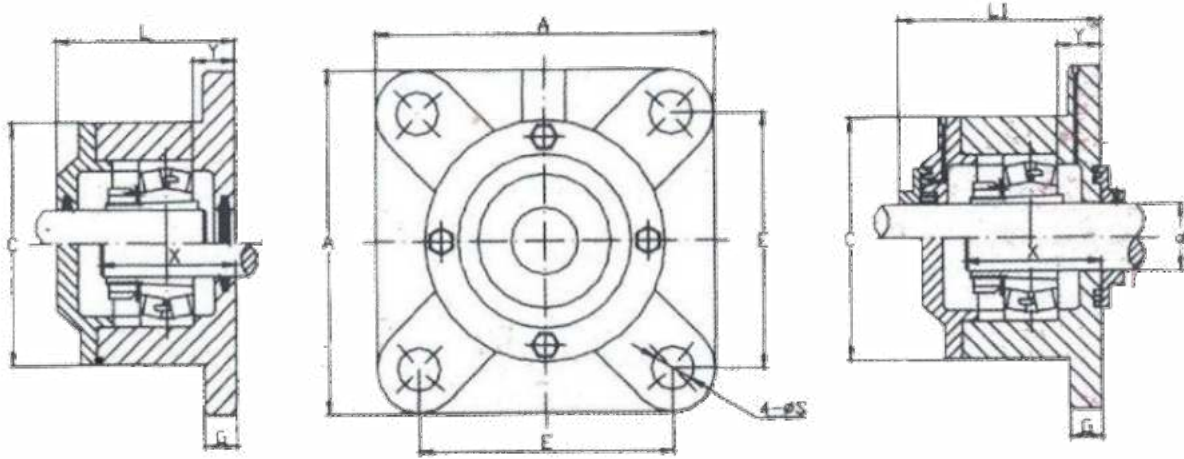


Part No.	To Suit Dimensions		Dimensions (mm)														
	mm	in	L	b	f1 (H13)	F (H13)	D (H7)	d2 (H12)	d3 (H13)	H	A (h12)	G	E	B	v	u	S
SNK 508	35	1 1/4	85	60	5	39	80	51.5	59.5	106	60	25	170	205	20	15	12
SNK 509	40	1 1/2	85	60	5	30	85	56.5	64.5	108	60	25	170	205	20	15	12
SNK 510	45	1 3/4	90	60	5	41	90	62	70.5	112	60	25	170	205	20	15	12
SNK 511	50	2	95	70	5	44	100	67	75.5	126	70	28	210	255	23	18	16
SNK 512	55	2 1/8	105	70	5	48	110	72	80.5	132	70	30	210	255	23	18	16
SNK 513	60	2 1/4	110	80	5	51	120	77	85.5	147	80	30	230	275	24	18	16
SNK 515	65	2 1/2	115	80	5	56	130	87	95.5	153	80	30	230	280	26	18	16
SNK 516	70	2 3/4	120	90	5	58	140	92.5	101	174	95	32	260	315	29	22	20
SNK 517	75	3	125	90	5	61	150	97.5	106	180	95	32	260	320	30	22	20
SNK 518	80	3 1/4	140	100	5	65	160	102.5	111	190	100	35	290	345	27	22	20
SNK 519	85	3 1/4	145	100	6	68	170	131	141	208.5	112	35	290	345	27	22	20
SNK 520	90	3 1/2	160	110	6	70	180	137.5	147.5	214.5	112	40	320	380	32	26	24
SNK 522	100	4	175	120	6	80	200	147.5	157.5	238.5	125	45	350	410	32	26	24
SNK 524	110	4 1/4	185	120	6	86	215	157.5	167.5	271	140	45	350	410	32	26	24
SNK 526	115	4 1/2	190	130	6	90	230	167.5	177.5	290	150	50	380	445	35	28	24
SNK 528	125	5	205	150	6	98	250	177.5	187.5	302	150	50	420	500	42	35	30
SNK 530	135	5 1/4	220	160	6	106	270	192.5	202.5	323	160	60	450	530	42	35	30

Note. Included TSNG Seals and Spacer Rings

FCM Series

4-Bolt Square Plummer Block Housing



Part No.	To Suit Dimensions	Dimensions (mm)								
		A	E	C	G	L	L1	X	Y	Z
FCM509	40	136	105	113	14	79	89	62	21	14
FCM510	45	142	108	118	15	83	93	60	21	14
FCM511	50	160	124	130	15	89	99	67	26	18
FCM512	55	170	130	144	18	93	103	71	25	18
FCM513	60	180	140	154	20	96	106	76	23	18
FCM515	65	188	152	167	20	102	112	78	29	18
FCM516	70	198	152	176	22	107	117	82	28	18
FCM517	75	210	170	188	22	111	121	88	29	18
FCM518	80	210	170	200	22	129.4	144.4	112	31	18
FCM520	90	250	198	224	25	147	162	123	33	22
FCM522	100	270	219	246	25	156	171	133	32	22
FCM524	110	280	230	260	28	165	183	141	35	26
FCM526	115	305	250	284	30	174	192	150	39	26
FCM528	125	330	270	300	30	186	204	162	43	26
FCM530	135	350	290	320	40	183	201	170	39	32
FCM532	140	370	300	340	42	197	215	180	38	32

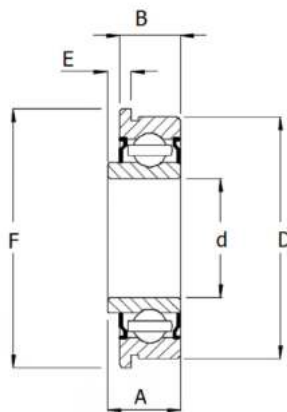
Bearing & Housings Chart

Shaft Dia. mm	Housings No.	Bearing No.		Adapter Sleeves	U Seals	End Cover	Locating Ring	
		Self-Aligning Ball Bearing	Spherical Roller Bearing				Part No.	Qty.
35	SNK 508-607	1208K	~	H208	U508	508A	SR80X10.5	2
	SNK 508-607	2208K	22208K	H308	U508	508A	SR80X8	2
40	SNK 509	1209K	~	H209	U509	509A	SR85X5.5	2
	SNK 509	2209K	22209K	H309	U509	509A	SR85X7	1
45	SNK 510-608	1210K	~	H210	U510	510A	SR90X10.5	2
	SNK 510-608	2210K	22210K	H310	U510	510A	SR90X9	2
50	SNK 511-609	1211K	~	H211	U511	511A	SR100X11.5	2
	SNK 511-609	2211K	22211K	H311	U511	511A	SR100X9.5	2
55	SNK 512-610	1212K	~	H212	U512	512A	SR110X13	2
	SNK 512-610	2212K	22212K	H312	U512	512A	SR110X10	2
60	SNK 513-611	1213K	~	H213	U513	513A	SR120X14	2
	SNK 513-611	2213K	22213K	H313	U513	513A	SR120X10	2
65	SNK 515-612	1215K	~	H215	U515	515A	SR130X15.5	2
	SNK 515-612	2215K	22215K	H315	U515	515A	SR130X12.5	2
70	SNK 516-613	1216K	~	H216	U516	516A	SR140X16	2
	SNK 516-613	2216K	22216K	H316	U516	516A	SR140X12.5	2
75	SNK 517	1217K	~	H217	U517	517A	SR150X16.5	2
	SNK 517	2217K	22217K	H317	U517	517A	SR150X12.5	2
80	SNK 518-615	1218K	~	H218	U518	518A	SR160X17.5	2
	SNK 518-615	2218K	22218K	H318	U518	518A	SR160X12.5	2
85	SNK 519-616	1219K	~	H219	U519	519A	SR170X18	2
	SNK 519-616	2219K	22219K	H319	U519	519A	SR170X12.5	2
90	SNK 520-617	1220K	~	H220	U520	520A	SR180X18	2
	SNK 520-617	2220K	22220K	H320	U520	520A	SR180X12	2
100	SNK 522-619	1222K	~	H222	U522	522A	SR200X21	2
	SNK 522-619	2222K	22222K	H322	U522	522A	SR200X13.5	2
110	SNK 524-620	~	22224K	H3124	U524	524A	SR215X14	2
	SNK 524-620	~	23224K	H2324	U524	524A	SR215X10	1
115	SNK 526	~	22226K	H3126	U526	526A	SR230X13	2
	SNK 526	~	23226K	H2326	U526	526A	SR230X10	1
125	SNK 528	~	22228K	H3128	U528	528A	SR250X15	2
	SNK 528	~	23228K	H2328	U528	528A	SR250X10	1
135	SNK 530	~	22230K	H3130	U530	530A	SR270X16.5	2
	SNK 530	~	23230K	H2330	U530	530A	SR270X10	1

TSNG Seals for SNK Plummer Block Housings

TSNG507	TSNG508	TSNG509	TSNG510	TSNG511	TSNG512	TSNG513	TSNG515	TSNG516	TSNG517	TSNG518
TSNG519	TSNG520	TSNG522	TSNG524	TSNG526	TSNG528	TSNG530				

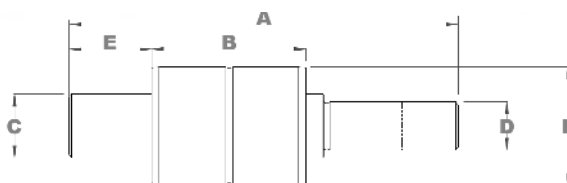
Unground / Semi Precision Bearings



Part No.	d		D		B	A	E	F	Weight
	Inch	mm	Inch	mm	mm	mm	mm	mm	Kg
UGB0818F	1/2	12.70	1-1/8	28.57	7.80	9.50	3.20	31.00	0.022
UGB1018F	5/8	15.87	1-1/8	28.57	7.80	9.50	3.20	31.00	0.018
UGB0822F	1/2	12.70	1-3/8	34.92	10.50	11.90	3.00	38.00	0.053
UGB1022F	5/8	15.87	1-3/8	34.92	10.50	11.90	3.00	38.00	0.046
UGB1222F	3/4	19.05	1-3/8	34.92	10.50	11.90	3.00	38.00	0.037
UGB2035F	-	20.0	-	35.0	10.50	11.90	3.00	38.00	0.035
UGB2547F	-	25.0	-	47.0	12.70	15.50	4.40	50.00	0.088
UGB1632F	1	25.4	2	50.8	12.70	15.50	5.30	54.00	0.117

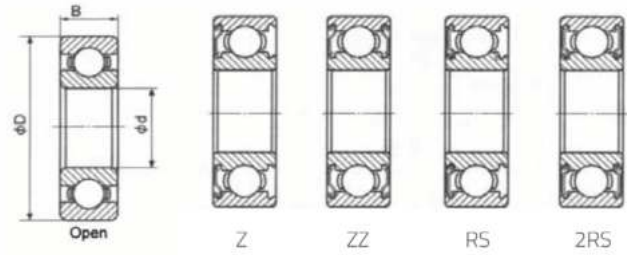
* All Unground Bearings are Zinc Plated surfaces with rubber seals

Water Pump Bearing



Part Number	A	B	C	D	E	F
FPS61	166.12	38.86	15.875	15.875	63.246	29.972

6000 Stainless Steel Series



Part No.		d	D	B	Dynamic load (kN)	Static load (kN)	N.W. (kg)
SS6000-2Z	SS6000-2RS	10	26	8	3.83	1.66	0.019
SS6001-2Z	SS6001-2RS	12	28	8	4.29	2.01	0.023
SS6002-2Z	SS6002-2RS	15	32	9	4.71	2.39	0.032
SS6003-2Z	SS6003-2RS	17	35	10	5.06	2.73	0.039
SS6004-2Z	SS6004-2RS	20	42	12	7.91	4.21	0.07
SS6005-2Z	SS6005-2RS	25	47	12	8.51	4.93	0.079
SS6006-2Z	SS6006-2RS	30	55	13	11.09	6.97	0.117
SS6007-2Z	SS6007-2RS	35	62	14	13.42	8.6	0.156
SS6008-2Z	SS6008-2RS	40	68	15	14.1	9.63	0.194
SS6009-2Z	SS6009-2RS	45	75	16	17.54	12.73	0.246
SS6010-2Z	SS6010-2RS	50	80	16	18.32	13.93	0.264

6200 Stainless Steel Series

Part No.		d	D	B	Dynamic load (kN)	Static load (kN)	N.W. (kg)
SS6200-2Z	SS6200-2RS	10	30	9	4.29	2.01	0.032
SS6201-2Z	SS6201-2RS	12	32	10	5.73	2.56	0.037
SS6202-2Z	SS6202-2RS	15	35	11	6.44	3.11	0.045
SS6203-2Z	SS6203-2RS	17	40	12	8.04	4.04	0.065
SS6204-2Z	SS6204-2RS	20	47	14	10.78	5.56	0.106
SS6205-2Z	SS6205-2RS	25	52	15	11.8	6.66	0.128
SS6206-2Z	SS6206-2RS	30	62	16	16.43	9.46	0.199
SS6207-2Z	SS6207-2RS	35	72	17	21.67	12.81	0.288
SS6208-2Z	SS6208-2RS	40	80	18	24.51	15.05	0.366
SS6209-2Z	SS6209-2RS	45	85	19	27.35	17.2	0.407
SS6210-2Z	SS6210-2RS	50	90	20	29.5	19.52	0.463

6300 Stainless Steel Series

Part No.		d	D	B	Dynamic load (kN)	Static load (kN)	N.W. (kg)
SS6300-2Z	SS6300-2RS	10	35	11	6.8	2.9	0.053
SS6301-2Z	SS6301-2RS	12	37	12	8.19	3.57	0.06
SS6302-2Z	SS6302-2RS	15	42	13	11.76	4.54	0.082
SS6303-2Z	SS6303-2RS	17	47	14	11.42	5.5	0.115
SS6304-2Z	SS6304-2RS	20	52	15	13.36	6.64	0.144
SS6305-2Z	SS6305-2RS	25	62	17	19.82	10.16	0.232
SS6306-2Z	SS6306-2RS	30	72	19	22.43	12.6	0.346
SS6307-2Z	SS6307-2RS	35	80	21	-	-	-
SS6308-2Z	SS6308-2RS	40	90	23	-	-	-
SS6309-2Z	SS6309-2RS	45	100	25	-	-	-
SS6310-2Z	SS6310-2RS	50	110	27	-	-	-

6800 Stainless Steel Series

Part No.	d	D	B	Dynamic load (kN)	Static load (kN)	N.W. (kg)
SS6800-2RS	10	19	5	2.12	0.99	0.005
SS6801-2RS	12	21	5	1.92	1.04	0.006
SS6802-2RS	15	24	5	2.08	1.26	0.007
SS6803-2RS	17	26	5	2.63	1.57	0.008
SS6804-2RS	20	32	7	4	2.64	0.019
SS6805-2RS	25	37	7	4.3	2.94	0.022
SS6806-2RS	30	42	7	5.35	3.8	0.026
SS6807-2RS	35	47	7	4.75	3.8	0.029
SS6808-2RS	40	52	7	5.95	4.9	0.033
SS6809-2RS	45	58	7	5.35	4.9	0.04
SS6810-2RS	50	65	7	6.4	5.8	0.052

Note. 6800 Series = 61800 Series

6900 Stainless Steel Series

Part No.	d	D	B	Dynamic load (kN)	Static load (kN)	N.W. (kg)
SS6900-2RS	10	22	6	2.49	1.13	0.009
SS6901-2RS	12	24	6	2.7	1.32	0.011
SS6902-2RS	15	28	7	4.3	2.25	0.016
SS6903-2RS	17	30	7	4.6	2.55	0.018
SS6904-2RS	20	37	9	6.35	3.7	0.036
SS6905-2RS	25	42	9	7	4.5	0.042
SS6906-2RS	30	47	9	7.25	5	0.045
SS6907-2RS	35	55	10	10.4	7.15	0.073
SS6908-2RS	40	62	12	13.7	9.95	0.108
SS6909-2RS	45	68	12	14.1	10.9	0.122
SS6910-2RS	50	72	12	14.5	11.7	0.125

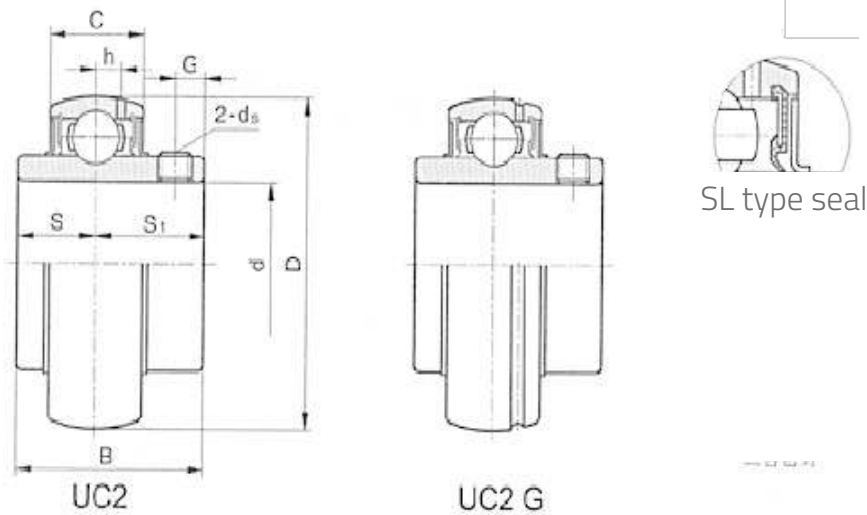
Note. 6900 Series = 61900 Series

600 & 620 Stainless Steel Series

Part No.	d	D	B	Dynamic load (kN)	Static load (kN)	N.W. (kg)
SS604-2RS	4	12	4	0.97	0.36	0.002
SS605-2RS	5	14	5	1.33	0.51	0.004
SS606-2RS	6	17	6	1.78	0.71	0.005
SS607-2RS	7	19	6	2.24	0.91	0.008
SS608-2RS	8	22	7	3.35	1.4	0.012
SS609-2RS	9	24	7	-	-	0.014
SS623-2RS	3	14	4	0.53	0.18	0.002
SS624-2RS	4	13	5	1.1	0.41	0.003
SS625-2RS	5	16	5	1.48	0.57	0.005
SS626-2RS	6	19	6	1.94	0.73	0.008
SS628-2RS	8	24	8	2.86	1.18	0.01
SS629-2RS	9	26	8	3.78	1.63	0.02

Stainless Steel AISI 440C

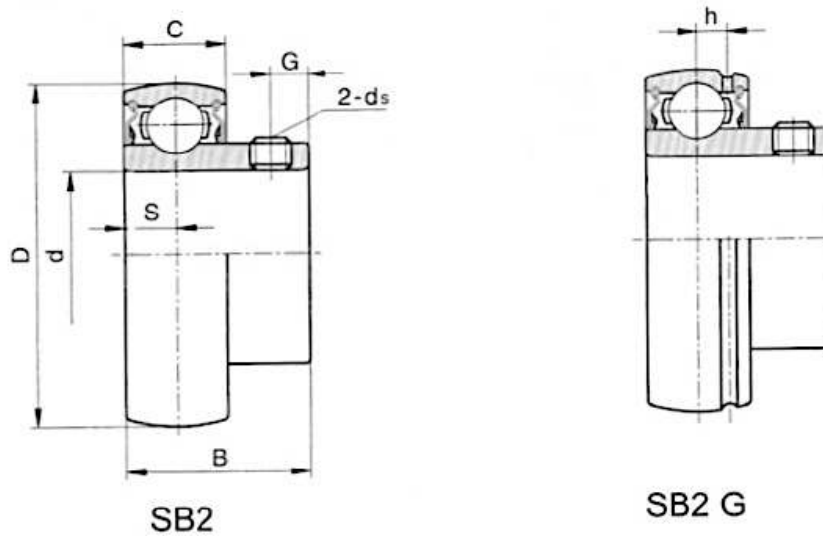
UC200 Stainless Steel Series



Part No.	Dimensions(mm/inch)									Basic Loads (KN)		N.W. (kg)
	d (mm)	d (inch)	D	B	C	S	S1	G	h	Cr	Cor	
SSUC201	12	-	47	31	16	12.7	18.3	5	4	11	5.7	0.21
SSUC201-8	-	1/2	47	31	16	12.7	18.3	5	4	11	5.7	0.21
SSUC202	15	-	47	31	16	12.7	18.3	5	4	11	5.7	0.19
SSUC202-10	-	5/8	47	31	16	12.7	18.3	5	4	11	5.7	0.19
SSUC203	17	-	47	31	16	12.7	18.3	5	4	11	5.7	0.17
SSUC204	20	-	47	31	16	12.7	18.3	5	4	11	5.7	0.16
SSUC204-12	-	3/4	47	31	16	12.7	18.3	5	4	11	5.7	0.16
SSUC205	25	-	52	34.1	17	14.3	19.7	5.5	4.2	12	6.7	0.21
SSUC205-16	-	1	52	34.1	17	14.3	19.7	5.5	4.2	12	6.7	0.19
SSUC206	30	-	62	38.1	19	15.9	22.2	6	4.8	16.7	9.6	0.33
SSUC206-20	-	1 1/4	62	38.1	19	15.9	22.2	6	4.8	16.7	9.6	0.33
SSUC207	35	-	72	42.9	20	17.5	25.4	6	5.4	22	13.1	0.46
SSUC207-20	-	1 1/4	72	42.9	20	17.5	25.4	6	5.4	22	13.1	0.52
SSUC207-22	-	1 3/8	72	42.9	20	17.5	25.4	6.5	5.4	22	13.1	0.50
SSUC207-23	-	1 7/16	72	42.9	20	17.5	25.4	6.5	5.4	22	13.1	0.46
SSUC208	40	-	80	49.2	21	19	30.2	8	5.4	22	13.1	0.63
SSUC208-24	-	1 1/2	80	49.2	21	19	30.2	8	5.4	22	13.1	0.38
SSUC209	45	-	85	49.2	22	19	30.2	8	5.9	28	17	0.68
SSUC209-26	-	1 5/8	85	49.2	22	19	30.2	8	5.9	28	17	0.78
SSUC209-28	45	-	85	49.2	22	19	30.2	8	6.1	28.1	17.5	0.70
SSUC210	50	-	90	51.6	22	19	32.6	9	6.1	28.1	17.5	0.78
SSUC210-32	-	2	90	51.6	22	19	-	9	6.1	28.1	17.5	0.80
SSUC211	55	-	100	55.6	24	22.2	33.4	10	-	33.3	22	1.07
SSUC211-32	-	2	100	55.6	24	22.2	33.4	10	-	33.3	22	1.22
SSUC212	60	-	110	65.1	26	25.4	39.7	10	-	40.2	30.8	1.51

Stainless Steel AISI 440C

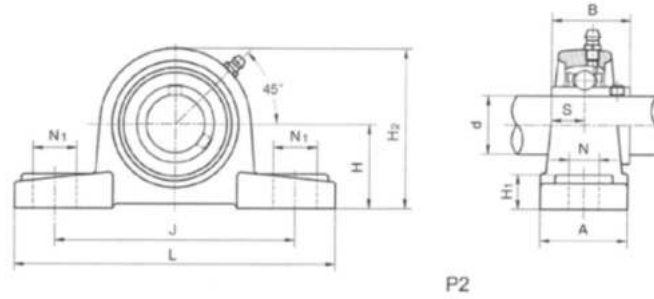
SB200 Stainless Steel Series



Part No.	Dimensions(mm/inch)								Basic Loads (KN)		N.W. (kg)
	d (mm)	d (inch)	D	B	C	S	h	G	Cr	Cor	
SSSB203	17	-	40	22	12	6	3.4	4	9.5	4.7	0.08
SSSB204	20	-	47	25	14	7	4	5	11	5.7	0.13
SSSB204-12	-	0.75	47	25	14	7	4	5	11	5.7	0.13
SSSB205	25	-	52	27	15	7.5	4.2	5.5	12	6.7	0.17
SSSB205-16	-	1	52	27	15	7.5	4.2	5.5	12	6.7	0.17
SSSB206	30	-	62	30	16	8	4.8	6	16.7	9.6	0.26
SSSB206-20	-	1.25	62	30	16	8	4.8	6	16.7	9.6	0.26+

Stainless Steel AISI 304C

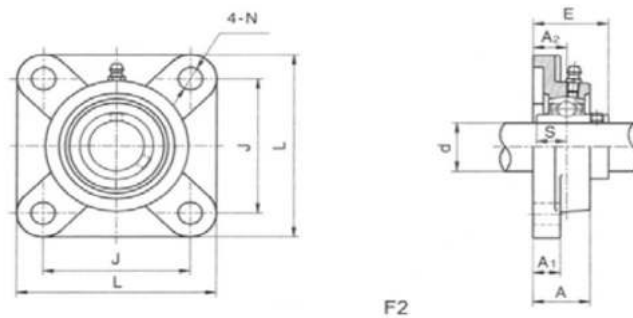
P200 Stainless Steel Series



P2

Part No.	Dimensions (mm)											N.W. (kg)
	d	H	L	J	A	N	N1	H1	H2	S	B	
SSP204	20	33.3	127	95	38	13	19	14	65	12.7	31	0.4
SSP205	25	36.5	140	105	38	13	19	15	71	14.3	34.1	0.49
SSP206	30	42.9	165	121	48	17	21	17	83	15.9	38.1	0.7
SSP207	35	47.6	167	127	48	17	21	18	93	17.5	42.9	0.88
SSP208	40	49.2	184	137	54	17	21	18	98	19	49.2	1.05
SSP209	45	54	190	146	54	17	21	20	106	19	49.2	1.24
SSP210	50	57.2	206	159	60	20	22	21	114	19	51.6	1.6
SSP211	55	63.5	219	171	60	20	22	-	125	22.2	55.6	-
SSP212	60	69.8	241	184	70	20	25	-	138	25.4	65.1	-

F200 Stainless Steel Series

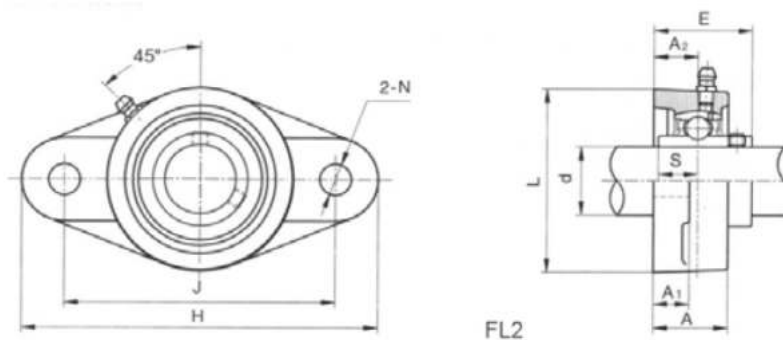


F2

Part No.	Dimensions (mm)									N.W. (kg)
	d	L	J	A2	A1	A	N	E	S	
SSF204	20	86	64	15	11	25.5	12	33.3	12.7	0.32
SSF205	25	95	70	16	13	27	12	35.8	14.3	0.43
SSF206	30	108	83	18	13	31	12	40.2	15.9	0.57
SSF207	35	117	92	19	15	34	14	44.4	17.5	0.67
SSF208	40	130	102	21	15	36	16	51.2	19	0.86
SSF209	45	137	105	22	16	38	16	52.2	19	1.03
SSF210	50	143	111	22	16	40	16	54.6	19	1.15
SSF211	55	162	130	25	20	43	19	58.4	22.2	-
SSF212	60	175	143	29	20	48	19	68.7	25.4	-

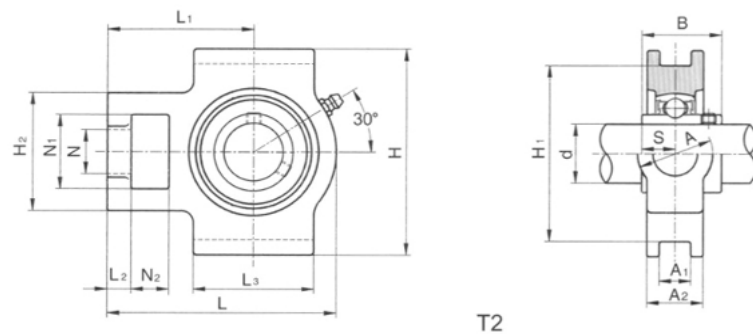
Stainless Steel AISI 304C

FL200 Stainless Steel Series



Part No.	Dimensions (mm)										N.W. (kg)
	d	H	J	L	A2	A1	A	N	E	S	
SSFL204	20	113	90	60	15	11	25.5	12	33.3	12.7	0.57
SSFL205	25	130	99	68	16	13	27	16	35.8	14.3	0.4
SSFL206	30	148	117	80	18	13	31	16	40.2	15.9	0.7
SSFL207	35	161	130	90	19	15	34	16	44.4	17.5	1.05
SSFL208	40	175	144	100	21	15	36	16	51.2	19	1.24
SSFL209	45	188	148	108	22	16	38	19	52.2	19	1.6
SSFL210	50	197	157	115	22	16	40	19	54.6	19	1.91
SSFL211	55	224	184	130	25	18	43	19	58.4	22.2	-
SSFL212	60	250	202	140	29	18	48	23	68.7	25.4	-

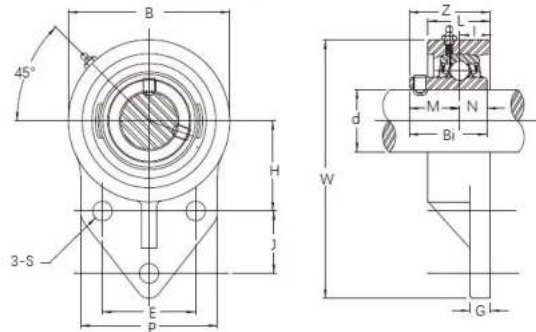
T200 Stainless Steel Series



Part No.	Dimensions (mm)															N.W. (kg)	
	d	L	L1	L2	L3	N	N1	N2	H	H1	H2	A	A1	A2	S		B
SST204	20	94	61	10	51	19	32	16	89	76	51	32	12	21	12.7	31	0.42
SST205	25	97	62	10	51	22	32	16	89	76	51	32	12	24	14.3	34.1	0.46
SST206	30	113	70	10	57	22	37	16	102	89	56	37	12	28	15.9	38.1	0.67
SST207	35	129	78	13	64	22	37	16	102	89	64	37	12	30	17.5	42.9	0.81
SST208	40	144	88	16	83	29	49	19	114	102	83	49	16	33	19	49.2	1.16
SST209	45	144	87	16	83	29	49	19	117	102	83	49	16	35	19	49.2	1.19
SST210	50	149	90	16	86	29	49	19	117	102	83	49	16	37	19	51.6	1.18

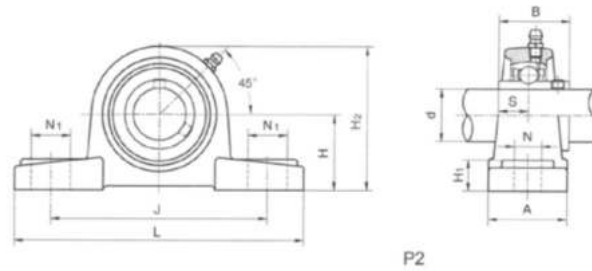
Stainless Steel AISI 304C

FB200 Stainless Steel Series



Part No.	Dimensions (mm)														N.W. (kg)
	d	W	H	E	J	I	G	L	S	B	P	Bi	M	Z	
SS-FB204	20	108	42.9	38.1	22.2	15.9	8	25.4	10	63.5	60.3	31	12.7	34.2	0.58
SS-FB205	25	120.7	46	41.6	28.6	16.7	9.5	29.4	10	69.1	63.5	34.1	14.3	36.4	0.73
SS-FB206	30	136.5	52.4	47.6	31.8	18.7	9.5	33.3	10	82.6	70	38.1	15.9	40.8	1.13

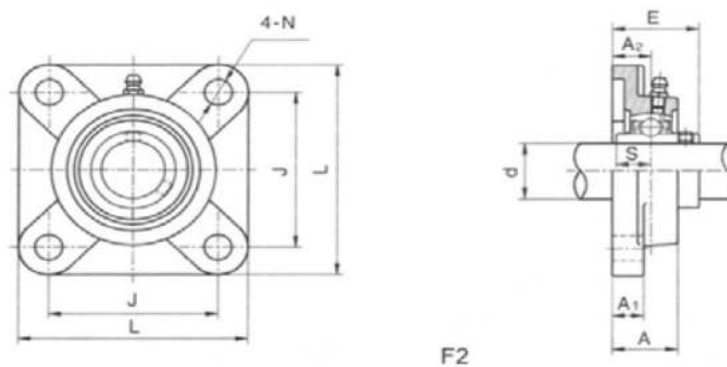
PL-P200 Series



Part No.	Dimensions (mm)											N.W. (kg)
	d	H	L	J	A	N1 to N	N1	H1	H2	S	B	
PL-P204	20	33.3	127	95	38	13	19	14	65	12.7	31	0.4
PL-P205	25	36.5	140	105	38	13	19	15	71	14.3	34.1	0.49
PL-P206	30	42.9	165	121	48	17	21	17	83	15.9	38.1	0.7
PL-P207	35	47.6	167	127	48	17	21	18	93	17.5	42.9	0.88
PL-P208	40	49.2	184	137	54	17	21	18	98	19	49.2	1.05
PL-P209	45	54	190	146	54	17	21	20	106	19	49.2	1.24
PL-P210	50	57.2	206	159	60	20	22	21	114	19	51.6	1.6
PL-P211	55	63.5	217	171	60	20	22	-	125	22.2	55.6	-
PL-P212	60	69.9	238	184	70	20	25	-	138	25.4	65.1	-

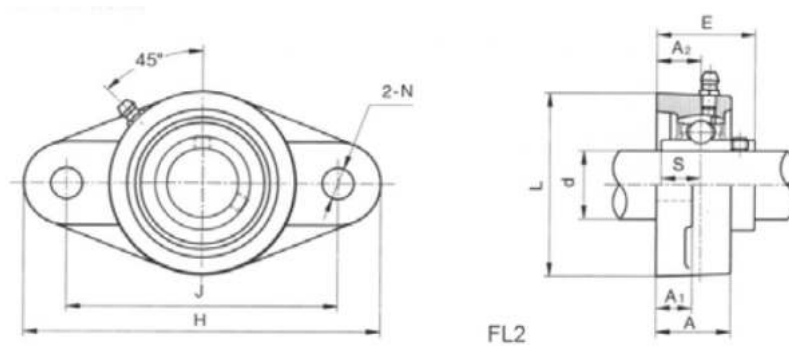
Please note: End Caps come with the PL Housing.

PL-F200 Series



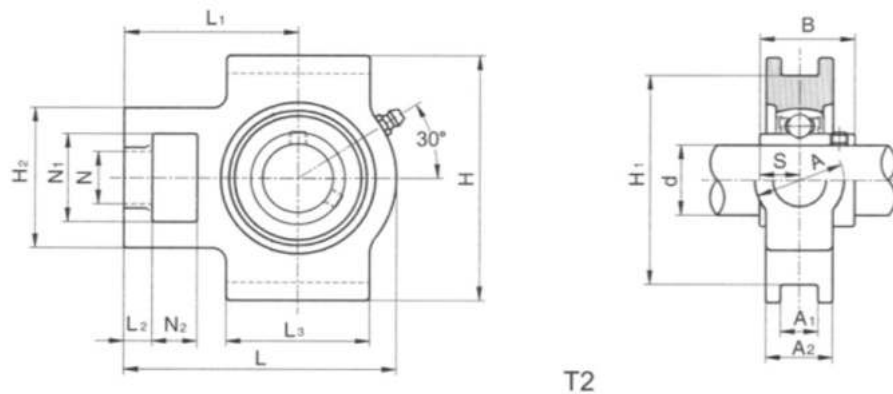
Part No.	Dimensions (mm)									N.W. (kg)
	d	L	J	A2	A1	A	N	E	S	
PL-F204	20	86	64	15	11	25.5	12	33.3	12.7	0.32
PL-F205	25	95	70	16	13	27	12	35.8	14.3	0.43
PL-F206	30	108	83	18	13	31	12	40.2	15.9	0.57
PL-F207	35	117	92	19	15	34	14	44.4	17.5	0.67
PL-F208	40	130	102	21	15	36	16	51.2	19	0.86
PL-F209	45	137	105	22	16	38	16	52.2	19	1.03
PL-F210	50	143	111	22	16	40	16	54.6	19	1.15
PL-F211	55	162	130	25	20	43	19	58.4	22.2	-
PL-F212	60	175	143	29	20	48	19	68.7	25.4	-

PL-FL200 Series



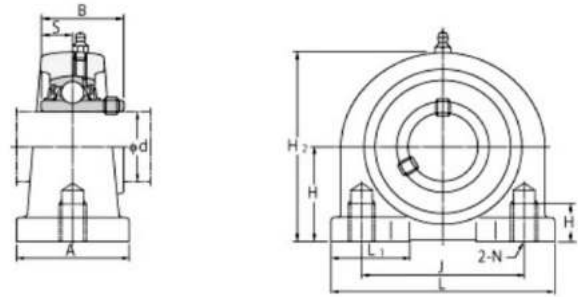
Part No.	Dimensions (mm)										N.W. (kg)
	d	H	J	L	A2	A1	A	N	E	S	
PL-FL204	20	113	90	60	15	11	25.5	12	33.3	12.7	0.57
PL-FL205	25	130	99	68	16	13	27	16	35.8	14.3	0.4
PL-FL206	30	148	117	80	18	13	31	16	40.2	15.9	0.7
PL-FL207	35	161	130	90	19	15	34	16	44.4	17.5	1.05
PL-FL208	40	175	144	100	21	15	36	16	51.2	19	1.24
PL-FL209	45	188	148	108	22	16	38	19	52.2	19	1.6
PL-FL210	50	197	157	115	22	16	40	19	54.6	19	1.91
PL-FL211	55	224	184	130	25	18	43	19	58.4	22.2	-
PL-FL212	60	250	202	140	29	18	48	23	68.7	25.4	-

PL-T200 Series



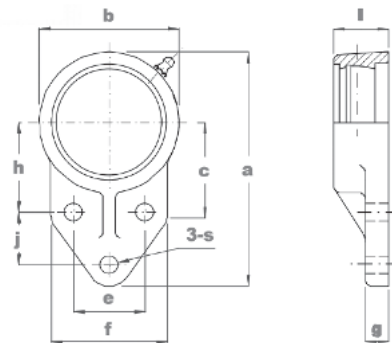
Part No.	Dimensions (mm)															N.W. (kg)	
	d	L	L1	L2	L3	N	N1	N2	H	H1	H2	A	A1	A2	S		B
PL-T204	20	94	61	10	51	19	32	16	89	76	51	32	12	21	12.7	31	0.42
PL-T205	25	97	62	10	51	19	32	16	89	76	51	32	12	24	14.3	34.1	0.46
PL-T206	30	113	70	10	57	22	37	16	102	89	56	37	12	28	15.9	38.1	0.67
PL-T207	35	129	78	13	64	22	37	16	102	89	64	37	12	30	17.5	42.9	0.81
PL-T208	40	144	88	16	83	29	49	19	114	102	83	49	16	33	19	49.2	1.16

PL-PA200 Series



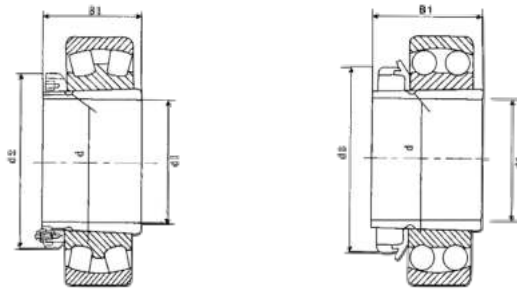
Part No.	Dimensions (mm)										N.W. (kg)
	d	H	L	J	A	H2	S	B	H3	N	
PL-PA204	20	30.2	76	52	40	62	12.7	31	13	M10	0.43
PL-PA205	25	36.5	84	56	38	72	14.3	34.1	15	M10	0.62
PL-PA206	30	42.9	94	66	48	84	15.9	38.1	18	M14	0.89
PL-PA207	35	47.6	110	80	48	95	17.5	42.9	20	M14	1.24
PL-PA208	40	49.2	116	84	54	100	19	49.2	20	M14	1.27
PL-PA209	45	54.2	120	90	60	108	19	49.2	25	M14	1.52
PL-PA210	50	57.2	130	94	60	116	19	51.6	25	M16	1.82

PL-FB200 Series



Part No.	Dimensions (mm)										N.W. (kg)	
	a	h	e	j	g	l	c	s	b	f		Bolt
PL-FB204	110	42	32	27	13	25.5	52	10	62	52	M8	0.45
PL-FB205	116	45	34	27	13	27	52	10	68	56	M8	0.5
PL-FB206	130	50	40	29	13	31	55	10	78	65	M8	0.62
PL-FB207	144	55	46	32	15	34	62	10	90	70	M8	0.84
PL-FB208	164	60	50	41	16	36	72	12	100	78	M10	1.17

H200 Series

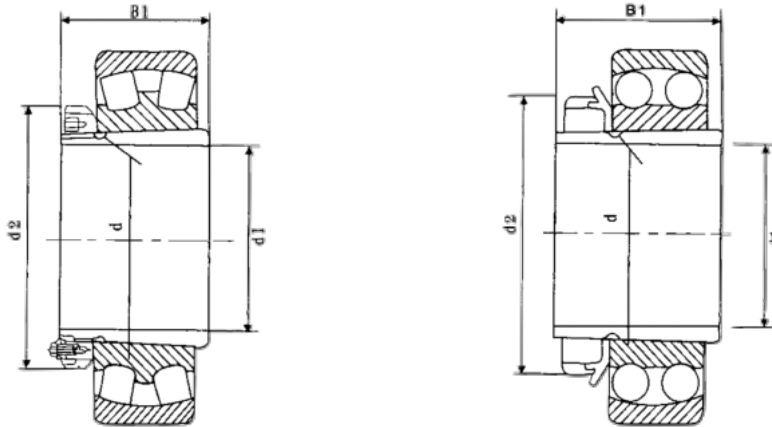


Part No.	d	d1	B1	d2	N.W. (kg)	Matched Locking nut	Matched Locking washer
H206	30	25	27	45	0.1	KM06	MB06
H207	35	30	29	52	0.13	KM07	MB07
H208	40	35	31	58	0.17	KM08	MB08
H209	45	40	33	65	0.23	KM09	MB09
H210	50	45	35	70	0.27	KM10	MB10
H211	55	50	37	75	0.31	KM11	MB11
H212	60	55	38	80	0.35	KM12	MB12
H213	65	60	40	85	0.4	KM13	MB13
H214	70	60	41	92	0.55	KM14	MB14
H215	75	65	43	98	0.71	KM15	MB15

H300 Series

Part No.	d	d1	B1	d3	N.W. (kg)	Matched Locking nut	Matched Locking washer
H306	30	25	31	45	0.11	KM06	MB06
H307	35	30	35	52	0.14	KM07	MB07
H308	40	35	36	58	0.19	KM08	MB08
H309	45	40	39	65	0.25	KM09	MB09
H310	50	45	42	70	0.3	KM10	MB10
H311	55	50	45	75	0.35	KM11	MB11
H312	60	55	47	80	0.39	KM12	MB12
H313	65	60	50	85	3.46	KM13	MB13
H314	70	60	52	92	0.72	KM14	MB14
H315	75	65	55	98	0.83	KM15	MB15
H316	80	70	59	105	1.03	KM16	MB16
H317	85	75	63	110	1.18	KM17	MB17
H318	90	80	65	120	1.37	KM18	MB18
H319	95	85	68	125	1.56	KM19	MB19
H320	100	90	71	130	1.69	KM20	MB20
H322	110	100	77	145	2.18	KM22	MB22

H2300 Series



Part No.	d	d1	B1	d2	Matched Locking nut	Matched Locking washer	N.W. (kg)
H2305	25	20	35	38	KM05	MB05	0.09
H2306	30	25	38	45	KM06	MB06	0.13
H2307	35	30	43	52	KM07	MB07	0.17
H2308	40	35	46	58	KM08	MB08	0.22
H2309	45	40	50	65	KM09	MB09	1.28
H2310	50	45	55	70	KM10	MB10	0.36
H2311	55	50	59	75	KM11	MB11	0.42
H2312	60	55	62	80	KM12	MB12	0.48
H2313	65	60	65	85	KM13	MB13	0.56
H2314	70	60	68	92	KM14	MB14	0.9
H2315	75	65	73	98	KM15	MB15	1.05
H2316	80	70	78	105	KM16	MB16	1.28
H2317	85	75	82	110	KM17	MB17	1.45
H2318	90	80	86	120	KM18	MB18	1.69
H2319	95	85	90	125	KM19	MB19	1.92
H2320	100	90	97	130	KM20	MB20	2.16
H2322	110	100	105	145	KM22	MB22	2.74
H2324	120	110	112	155	KM24	MB24	3.19
H2326	130	115	121	165	KM26	MB26	4.6
H2328	140	125	131	180	KM28	MB28	5.55
H2330	150	135	139	195	KM30	MB30	6.63
H2332	160	140	147	210	KM32	MB32	9.14
H2334	170	150	154	220	KM34	MB34	10.2

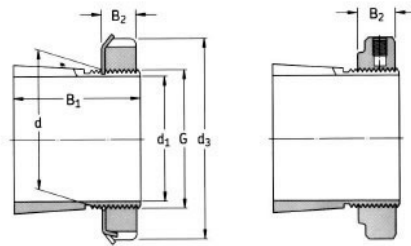
H3000 Series

Part No.	d	d1	B1	d3	N.W.(kg)	Matched Locking nut	Matched Locking washer	Matched Roller Bearing
H3024	120	110	72	145	1.93	KM24	MB24	23024K
H3026	130	115	80	155	2.85	KM26	MB26	23026K
H3028	140	125	82	165	3.16	KM28	MB28	23028K
H3030	150	135	87	180	3.89	KM30	MB30	23030K
H3032	160	140	93	190	5.21	KM32	MB32	23032K
H3034	170	150	101	200	5.99	KM34	MB34	23034K
H3036	180	160	109	210	6.83	KM36	MB36	23036K
H3038	190	170	112	220	7.45	KM38	MB38	23038K

H3100 Series

Part No.	d	d1	B1	d3	N.W. (kg)	Matched Locking nut	Matched Locking washer	Matched Roller Bearing
H3120	100	90	76	130	1.7	KM20	MB20	23120K
H3122	110	100	81	145	2.25	KM22	MB22	23122K
H3124	120	110	88	155	2.64	KM24	MB24	23124K
H3126	130	115	92	165	3.66	KM26	MB26	23126K
H3128	140	125	97	180	4.34	KM28	MB28	23128K
H3130	150	135	111	195	5.52	KM30	MB30	23130K
H3132	160	140	119	210	7.67	KM32	MB32	23132K
H3134	170	150	122	220	8.38	KM34	MB34	23134K
H3136	180	160	131	230	9.7	KM36	MB36	
H3138	190	170	141	240	10.8	KM38	MB38	23138K

HE200 Series



HE... HE...E

Part No.	d1	d	d3	B1	N.W.(kg)	B2	Matched Locking nut	Matched Locking washer	Matched Ball Bearing
HE206	1	30	45	27	0.08	8	KM06	MB06	1206K
HE207	1 1/8	35	52	29	0.14	9	KM07	MB07	1207K
HE208	1 1/4	40	58	31	0.19	10	KM08	MB08	1208K
HE209	1 1/2	45	65	33	0.2	11	KM09	MB09	1209K
HE210	1 3/4	50	70	35	0.26	12	KM10	MB10	1210K
HE211	2	55	75	37	0.26	12.5	KM11	MB11	1211K
HE212	2 1/8	60	80	38	0.35	13	KM12	MB12	1212K
HE213	2 1/4	65	85	40	0.44	14	KM13	MB13	1213K
HE215	2 1/2	75	98	43	0.7	15	KM15	MB15	1215K
HE216	2 3/4	80	105	46	0.81	17	KM16	MB16	1216K
HE217	3	85	110	50	0.87	18	KM17	MB17	1217K
HE218	3 1/4	90	120	52	0.97	18	KM18	MB18	1218K
HE219	3 1/4	95	125	55	1.35	19	KM19	MB19	1219K
HE220	3 1/2	100	130	58	1.45	20	KM20	MB20	1220K

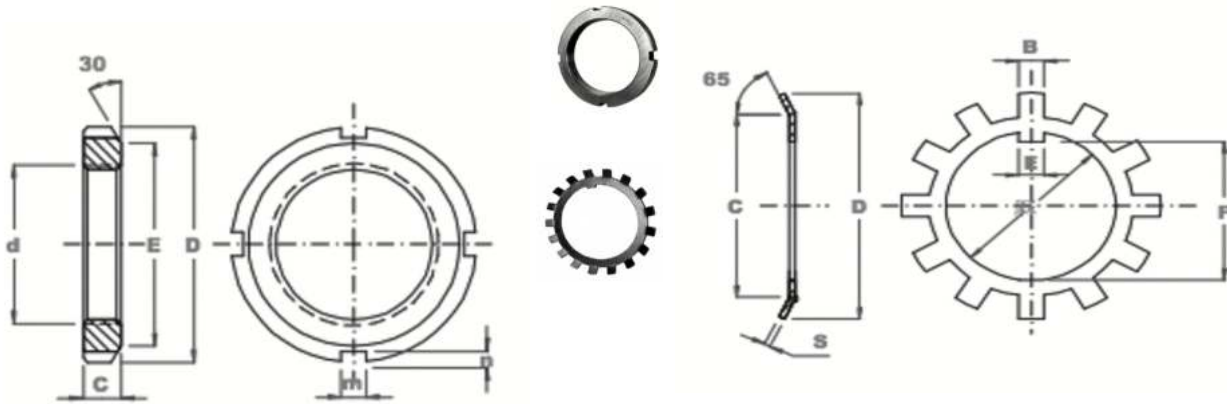
HE300 Series

Part No.	d1	d	d3	B1	N.W.(kg)	B2	Matched Locking nut	Matched Locking washer	Matched Ball Bearing	Matched Roller Bearing		
HE306	1	30	45	31	0.1	8	KM06	MB06	1306K	2206K	21306K	-
HE307	1 1/8	35	52	35	0.16	9	KM07	MB07	1307K	2207K	21307K	-
HE308	1 1/4	40	58	36	0.22	10	KM08	MB08	1308K	2208K	21308K	22208K
HE309	1 1/2	45	65	39	0.24	11	KM09	MB09	1309K	2209K	21309K	22209K
HE310	1 3/4	50	70	42	0.29	12	KM10	MB10	1310K	2210K	21310K	22210K
HE311	2	55	75	45	0.29	12.5	KM11	MB11	1311K	2211K	21311K	22211K
HE312	2 1/4	60	80	47	0.4	13	KM12	MB12	1312K	2212K	21312K	22212K
HE313	2 1/4	65	85	50	0.52	14	KM13	MB13	1313K	2213K	21313K	22213K
HE315	2 1/2	75	98	55	0.85	15	KM15	MB15	1315K	2215K	21315K	22215K
HE316	2 3/4	80	105	59	0.97	17	KM16	MB16	1316K	2216K	21316K	22216K
HE317	76.2	85	110	63	1	18	KM17	MB17	1317K	2217K	21317K	22217K
HE318	3	90	120	65	1.1	18	KM18	MB18	1318K	2218K	21318K	22218K
HE319	3	95	125	68	1.6	19	KM19	MB19	1319K	2219K	21319K	22219K
HE320	3 1/2	100	130	71	1.75	20	KM20	MB20	1320K	2220K	21320K	22220K
HE322	4	110	145	77	1.9	21	KM22	MB22	1322K	2222K	21322K	22222K

HE2300 Series

Part No.	d1	d	d3	B1	N.W.(kg)	B2	Matched Locking nut	Matched Locking washer	Matched Roller Bearing		
HE2305	3/4	25	38	35	0.09	8	KM05	MB05	-	-	-
HE2306	1	30	45	38	0.11	8	KM06	MB06	-	21306K	-
HE2307	1 1/8	35	52	43	0.16	9	KM07	MB07	-	21307K	-
HE2308	1 1/4	40	58	46	0.28	10	KM08	MB08	22308K	21308K	22208K
HE2309	1 1/2	45	65	50	0.31	11	KM09	MB09	22309K	21309K	22209K
HE2310	1 3/4	50	70	55	0.36	12	KM10	MB10	22310K	21310K	22210K
HE2311	2	55	75	59	0.36	12.5	KM11	MB11	22311K	21311K	22211K
HE2312	2 1/4	62	80	62	-	13	KM12	MB12	22312K	21312K	22212K
HE2313	2 1/4	65	85	65	0.65	14	KM13	MB13	22313K	-	-
HE2314	2 3/8	70	92	68	0.90	14	KM14	MB14	-	21313K	22213K
HE2315	2 1/2	75	98	73	1.09	15	KM15	MB15	-	-	-
HE2316	2 3/4	80	105	78	1.2	17	KM16	MB16	-	-	-
HE2317	3	85	110	82	1.3	18	KM17	MB17	-	-	-
HE2318	3 1/4	90	120	86	1.4	18	KM18	MB18	-	-	-
HE2319	3 1/4	95	125	90	2	19	KM19	MB19	-	-	-
HE2320	3 1/2	100	130	97	2.2	20	KM20	MB20	-	-	-
HE2322	4	110	145	105	2.4	21	KM22	MB22	-	-	-
HE2324	4 1/4	120	155	112	3.19	22	KM24	MB24	-	-	-
HE2326	4 1/2	130	165	121	4.6	23	KM26	MB26	-	-	-

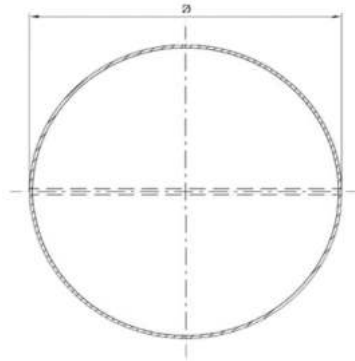
KM & MB Series



Part No.	d	D	C	E	M	N	Wgt KG
KM00	M10X0.75	18	4	13.5	3	2	0.004
KM01	M12X1	22	4	17	3	2	0.007
KM02	M15X1	25	5	21	4	2	0.01
KM03	M17X1	28	5	24	4	2	0.013
KM04	M20X1	32	6	26	4	2	0.019
KM05	M25X1.5	38	7	32	5	2	0.025
KM06	M30X1.5	45	7	38	5	2	0.043
KM07	M35X1.5	52	8	44	5	2	0.053
KM08	M40X1.5	58	9	50	6	2.5	0.085
KM09	M45X1.5	65	10	56	6	2.5	0.119
KM10	M50X1.5	70	11	61	6	2.5	0.148
KM11	M55X2	75	11	67	7	3	0.158
KM12	M60X2	80	11	73	7	3	0.174
KM13	M65X2	85	12	79	7	3	0.203
KM14	M70X2	92	12	85	8	3.5	0.242
KM15	M75X2	98	13	90	8	3.5	0.287
KM16	M80X2	105	15	95	8	3.5	0.397
KM17	M85X2	110	16	102	8	3.5	0.451
KM18	M90X2	120	16	108	10	4	0.556
KM19	M95X2	125	17	113	10	4	0.658
KM20	M100X2	130	18	120	10	4	0.698
KM21	M105X2	140	18	126	12	5	0.846
KM22	M100X2	145	19	133	12	5	0.965
KM24	M120X2	155	20	138	12	5	1.08
KM25	M125X2	160	21	148	12	5	1.19
KM26	M130X2	165	21	149	12	5	1.25
KM27	M135X2	175	22	160	14	6	1.55
KM28	M140X2	180	22	160	14	6	1.56
KM29	M145X2	190	24	171	14	6	1.8
KM30	M150X2	195	24	171	14	6	2.03

Part No.	d	D	C	S	E	F	N	Wgt KG
MB00	10	21	13.5	1	3	8.5	3	1.31
MB01	12	25	17	1	3	10.5	3	1.92
MB02	15	28	21	1	4	13.5	4	2.53
MB03	17	32	24	1	4	15.5	4	3.13
MB04	20	36	26	1	4	18.5	4	3.5
MB05	25	42	32	1.25	5	23	5	6.4
MB06	30	49	38	1.25	5	27.5	5	7.8
MB07	35	57	44	1.25	6	32.5	5	10.4
MB08	40	62	50	1.25	6	37.5	6	12.3
MB09	45	69	56	1.25	6	42.5	6	15.2
MB10	50	74	61	1.25	6	47.5	6	16
MB11	55	81	67	1.5	8	52.5	7	19.6
MB12	60	86	73	1.5	8	57.5	7	25.3
MB13	65	92	79	1.5	8	62.5	7	29
MB14	70	98	85	1.5	8	66.5	8	33.4
MB15	75	104	90	1.5	8	71.5	8	35.6
MB16	80	112	95	1.8	10	76.5	8	46.4
MB17	85	119	102	1.8	10	81.5	8	52.5
MB18	90	126	108	1.8	10	86.5	10	62.3
MB19	95	133	113	1.8	10	91.5	10	67
MB20	100	142	120	1.8	12	96.5	10	76.5
MB21	105	145	126	1.8	12	100.5	12	82.6
MB22	110	154	133	1.8	12	105.5	12	94
MB24	120	164	138	2	14	115	12	105
MB25	125	170	148	2	14	120	12	118
MB26	130	175	149	2	14	125	12	113
MB27	135	185	160	2	14	130	14	144
MB28	140	192	160	2	16	135	14	142
MB29	145	202	171	2	16	140	14	168
MB30	150	205	171	2	16	145	14	155

Chrome Steel Balls

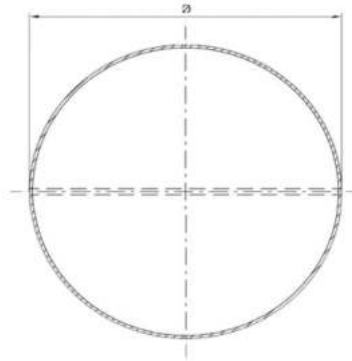


Imperial			
Part No.	Diameter	Material	Grade
BALL-CH-3/32	3/32	GCr15	G20
BALL-CH-1/8	1/8	GCr15	G20
BALL-CH-5/32	5/32	GCr15	G20
BALL-CH-3/16	3/16	GCr15	G20
BALL-CH-7/32	7/32	GCr15	G20
BALL-CH-1/4	1/4	GCr15	G20
BALL-CH-9/32	9/32	GCr15	G20
BALL-CH-5/16	5/16	GCr15	G20
BALL-CH-11/32	11/32	GCr15	G20
BALL-CH-3/8	3/8	GCr15	G20
BALL-CH-7/16	7/16	GCr15	G20
BALL-CH-1/2	1/2	GCr15	G20
BALL-CH-9/16	9/16	GCr15	G20
BALL-CH-5/8	5/8	GCr15	G20
BALL-CH-11/16	11/16	GCr15	G20
BALL-CH-3/4	3/4	GCr15	G20
BALL-CH-13/16	13/16	GCr15	G20
BALL-CH-7/8	7/8	GCr15	G20
BALL-CH-15/16	15/16	GCr15	G20
BALL-CH-1	1	GCr15	G20
BALL-CH-1-1/16	1-1/16	GCr15	G20
BALL-CH-1-1/8	1-1/8	GCr15	G20
BALL-CH-1-3/16	1-3/16	GCr15	G20
BALL-CH-1-3/8	1-3/8	GCr15	G20
BALL-CH-1-1/4	1-1/4	GCr15	G24
BALL-CH-1-1/2	1-1/2	GCr15	G28
BALL-CH-1-3/4	1-3/4	GCr15	G40
BALL-CH-2	2	GCr15	G40

Metric			
Part No.	Diameter	Material	Grade
BALL-CH-1.5MM	1.5	GCr15	G20
BALL-CH-2MM	2	GCr15	G20
BALL-CH-2.5MM	2.5	GCr15	G20
BALL-CH-3MM	3	GCr15	G20
BALL-CH-3.5MM	3.5	GCr15	G20
BALL-CH-4MM	4	GCr15	G20
BALL-CH-4.5MM	4.5	GCr15	G20
BALL-CH-5.5MM	5.5	GCr15	G20
BALL-CH-5MM	5	GCr15	G20
BALL-CH-6MM	6	GCr15	G20
BALL-CH-6.5MM	6.5	GCr15	G20
BALL-CH-7MM	7	GCr15	G20
BALL-CH-8MM	8	GCr15	G20
BALL-CH-9MM	9	GCr15	G20
BALL-CH-10MM	10	GCr15	G20
BALL-CH-11MM	11	GCr15	G20
BALL-CH-12MM	12	GCr15	G20
BALL-CH-13MM	13	GCr15	G20
BALL-CH-14MM	14	GCr15	G20
BALL-CH-15MM	15	GCr15	G20
BALL-CH-16MM	16	GCr15	G20
BALL-CH-17MM	17	GCr15	G20
BALL-CH-18MM	18	GCr15	G20
BALL-CH-19MM	19	GCr15	G20
BALL-CH-20MM	20	GCr15	G20
BALL-CH-22MM	22	GCr15	G20
BALL-CH-25MM	25	GCr15	G20
BALL-CH-28MM	28	GCr15	G20
BALL-CH-30MM	30	GCr15	G20
BALL-CH-35MM	35	GCr15	G20
BALL-CH-40MM	40	GCr15	G20
BALL-CH-45MM	45	GCr15	G20
BALL-CH-50MM	50	GCr15	G20

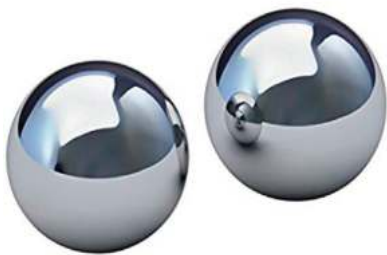


Stainless Steel Balls



Imperial			
Part No.	Diameter	Material	Grade
BALL-SS-1/8	1/8	304	G200
BALL-SS-3/32	3/32	304	G200
BALL-SS-5/32	5/32	304	G200
BALL-SS-3/16	3/16	304	G200
BALL-SS-7/32	7/32	304	G200
BALL-SS-1/4	1/4	304	G200
BALL-SS-9/32	9/32	304	G200
BALL-SS-5/16	5/16	304	G200
BALL-SS-11/32	11/32	304	G200
BALL-SS-3/8	3/8	304	G200
BALL-SS-1/2	1/2	304	G200
BALL-SS-7/16	7/16	304	G200
BALL-SS-9/16	9/16	304	G200
BALL-SS-5/8	5/8	304	G200
BALL-SS-11/16	11/16	304	G200
BALL-SS-3/4	3/4	304	G200
BALL-SS-13/16	13/16	304	G200
BALL-SS-7/8	7/8	304	G500
BALL-SS-1	1	304	G500

Metric			
Part No.	Diameter	Material	Grade
BALL-SS-1.5MM	1.5	304	G200
BALL-SS-2MM	2	304	G200
BALL-SS-2.5MM	2.5	304	G200
BALL-SS-3MM	3	304	G200
BALL-SS-3.5MM	3.5	304	G200
BALL-SS-4MM	4	304	G200
BALL-SS-4.5MM	4.5	304	G200
BALL-SS-5MM	5	304	G200
BALL-SS-5.5MM	5.5	304	G200
BALL-SS-6MM	6	304	G200
BALL-SS-6.5MM	6.5	304	G200
BALL-SS-7MM	7	304	G200
BALL-SS-8MM	8	304	G200
BALL-SS-9MM	9	304	G200
BALL-SS-10MM	10	304	G200
BALL-SS-11MM	11	304	G200
BALL-SS-12MM	12	304	G200
BALL-SS-13MM	13	304	G200
BALL-SS-14MM	14	304	G200
BALL-SS-15MM	15	304	G200
BALL-SS-16MM	16	304	G200
BALL-SS-17MM	17	304	G200
BALL-SS-18MM	18	304	G200
BALL-SS-19MM	19	304	G200
BALL-SS-20MM	20	304	G500
BALL-SS-22MM	22	304	G500
BALL-SS-25MM	25	304	G500



Spacer Rings

SR62X6	SR72X8	SR80X10	SR85X8	SR100X6	SR110X10	SR130X8	SR140X10	SR150X12.5	SR170X10.5	SR200X13.5
SR62X7	SR72X8.5	SR80X10.5	SR90X6.5	SR100X8	SR110X13	SR130X10	SR140X12.5	SR150X16.5	SR170X12.5	SR215X14
SR62X8	SR72X10	SR85X5.5	SR90X9	SR100X9.5	SR120X10	SR130X12.5	SR140X16	SR160X16.2	SR170X18	SR230X13
SR62X10	SR80X7.5	SR85X6	SR90X10	SR100X11.5	SR120X12	SR130X15.5	SR150X9	SR160X17.5	SR180X12	SR250X15
SR72X5.5	SR80X8	SR85X7	SR90X10.5	SR110X8	SR120X14	SR140X8.5	SR150X10	SR170X10	SR180X12.1	SR270X16.5

U-Seals

U508	U510	U512	U515	U517	U519	U522	U526	U530
U509	U511	U513	U516	U518	U520	U524	U528	-

Rubber Inserts for Pressed Metal Housings

RI203	RI204	RI205	RI206	RI207	RI208
-------	-------	-------	-------	-------	-------

Open Caps for Thermoplastic Housings

OC204	OC205	OC206	OC207	OC208	OC209	OC210
-------	-------	-------	-------	-------	-------	-------

Back Seals for Thermoplastic Housings

BS-204	BS-205	BS-206	BS-207	BS-208	BS-209	BS-210
--------	--------	--------	--------	--------	--------	--------

End Caps for Plummer Block Housings

EC507A	EC508A	EC509A	EC510A	EC511A	EC512A	EC513A	EC515A	EC516A	EC517A	EC518A
EC519A	EC520A	EC522A	EC524A	EC526A	EC528A	EC530A	-	-	-	-

TSNG Seals for SNK Plummer Block Housings

TNSG507	TNSG508	TNSG509	TNSG510	TNSG511	TNSG512	TNSG513	TNSG515	TNSG516	TNSG517	TNSG518
TNSG519	TNSG520	TNSG522	TNSG524	TNSG526	TNSG528	TNSG530	-	-	-	-

V Rings for Plummer Block Housings

VR508	VR509	VR510	VR511	VR512	VR513	VR515	VR516	VR517	VR518	VR519
VR520	VR522	VR524	VR526	VR528	VR530	-	-	-	-	-

Dust Cap to suit 45mm/1-3/4 Axle

DC-45MM

Tapered Roller Bearings

BEARING #	SET	BEARING #	SET	BEARING #	SET
LM11749/10	SET1 / SET D	HM88649/10	SET67	LM300849/11	SET318
LM11949/10	SET2 / SET A	LM501349/14	SET69	M802048/10	SET328
M12649/10	SET3	LM29749/10	SET70	02474/20	SET362
L44649/10	SET4 / SET C	15101/245	SET73	395/394A	SET365
LM48548/10	SET5	387/382A	SET75	580/572	SET401
LM67048/10	SET6 / SET B	387A5/382A	SET76	582/572	SET402
L45449/10	SET8	55200C/55437	SET78	594A/592A	SET403
U399	SET10	HM88542/10	SET81	598A/592A	SET404
JL69349/10	SET11	LM104949/10	SET82	633/653	SET405
LM12749/10	SET12 / SET E	25877A/25821	SET96	3782/3720	SET406
L68149/10	SET13 / SET F	HM212049/10	SET99	29622/28682	SET407
L44643/10	SET14	HM89446/10	SET100	39590/39520	SET408
07100/07196	SET15	3982/3920	SET103	45220/45280	SET409
LM12749/11	SET16	L44642/10	SET104	45220/45284	SET410
L68149/11	SET17	JLM104948/10	SET107	47686/47620	SET411
LM102949/11	SET18	JLM506849/10	SET118	HM212047/11	SET412
U399A	SET20	25580/22	SET122	HM212049/11	SET413
1988/1922	SET21	3780/20	SET123	HM218248/10	SET414
LM67048/10BCE	SET27	368A/362A	SET201	HM518445/10	SET415
LM603049/12	SET36	469/453X	SET205	45220/45291	SET416
LM603049/11	SET37	M88046/10	SET219	47820/47890	SET417
LM104949/11	SET38	HM88649/10	SET222	H715334/11	SET418
15123/15245	SET43	2788/20	SET230	H715343/11	SET419
LM501349/10	SET45	M88043/10	SET242	H715345/11	SET420
LM102949/10	SET47	18590/20	SET253	HM516449A/10	SET421
25580/20	SET52	LM29749/11	SET268	HM516449C/10	SET422
LM29748/10	SET56	U298	SET280	6420/6461A	SET423
11590/20	SET61	U298H	SET284	552A/555S	SET424
M88048/10	SET63	M84548/10	SET308	563/567	SET425
HM903249/10	SET64	M86649/10	SET309	47620/47679	SET426
HM86647/10	SET65	HM89449/10	SET312		

Deep Groove Ball Bearings - Imperial

Part No.	FAG Part #	RHP Part #	SKF Part #	STEYR Part #
RLS4	LS5	LJ 1/2	RLS4	RLS4
RLS5	LS7	LJ 5/8	RLS5	RLS5
RLS6	LS8	LJ 3/4	RLS6	RLS6
RLS7	LS9	LJ 7/8	RLS7	RLS7
RLS8	LS10	LJ 1 E	RLS8	RLS8
RLS9	LS11	LJ 1 1/8	RLS9	RLS9
RLS10	LS12	LJ 1 1/4	RLS10	RLS10
RLS11	LS12 1/2	LJ 1 3/8	RLS11	RLS11
RLS12	LS13	LJ 1 1/2	RLS12	RLS12
RLS14	LS13 1/2	LJ 1 3/4	RLS14	RLS14
RLS16	LS15	LJ 2 E	RLS16	RLS16
RMS4	MS5	MJ 1/2	RMS4	RMS4
RMS5	MS7	MJ 5/8	RMS5	RMS5
RMS6	MS8	MJ 3/4	RMS6	RMS6
RMS7	MS9	MJ 7/8	RMS7	RMS7
RMS8	MS10	MJ 1 E	RMS8	RMS8
RMS9	MS11	MJ 1 1/8	RMS9	RMS9
RMS10	MS12	MJ 1 1/4	RMS10	RMS10
RMS11	MS12 1/2	MJ 1 3/8	RMS11	RMS11
RMS12	MS13	MJ 1 1/2	RMS12	RMS12

Deep Groove Ball Bearings - Imperial

Part No.	FAG Part #	SKF Part #	MRC Part #	FAFNIR Part #
R2	R-2	EE0	R-2	33-K-3
R3	R-3	EE1	R-3	33-K-5
R4	R-4	EEA2	R-4	S-1-K-7
R6	R-6-	EE3	R-6	S-3-K
R8	R-8	EE4	R-8	S-5-K
R10	R-10	EE5	R-10	S-7-K
R12	R-12	EE6	R-12	S-8-K
EE7	-	EE7	-	-
R14	R-14	EE8	R-14	S-9-K
R16	R-16	EE9	R-16	S-10-K
R18	R-18	EE10	R-18	S-11-K
R20	R-20	EE11	R-20	S-12-K
R4A	R-4-A	EE2	R-4-A	S-1-K



Disc Harrow Bearings

Finer Part #	W208PP5	W208PPB6	W208PPB8	W208PPB12	W211PP3	W211PPB3	W211PP5	W211PP30	W211PPB30	W211PP34	W211PPB2	
GB Part #	W208PP5	W208PPB6	W208PPB8	W208PPB12	W211PP3	W211PPB3	W211PP5	W211PP30	W211PPB30	W211PP34	W211PPB2	
FAG / BCA Part #	DC208TT5	DS208TT6	DS208TT8	DS208TT12	DC211TT3	DS211TT3	DC211TT5	DC211TT40A	-	DC211TT40	DS211TT2	
FAFNIR Part #	W208PP5	W208PPB6	W208PPB8	W208PPB12	W211PP3	W211PPB3	W211PP5	W211PP30	W211PPB30	W211PP34	W211PPB2	
FEDERAL Part #	TN208S1	TNS208S	TS208S1	TSC208S1A	TW211SY	TWS211S4	T211S4A	-	-	-	TSW211A	
RHP Part #	2/DF240/9	2/DNF240/8	PDNF240/9	41/PDNF240/9B	PDF155/12	PDNF155/12	37/PDF255/12	PDF155/12A	PDNF155/12A	48/PDF255/12A	PDNF155-2 3/16	
NTN Part #	5AS08-1 1/8	1AS08-1	2AS08-1 1/8	4AS08-1 1/8	7AS11-1 1/2	3AS11-1 1/2	6AS11-1 1/2V1	-	-	-	3AC11-2 3/16	
LINK BELT Part #	W208PP5	W208PPB6	-	W208PPB12	W211PP3	W211PPB3	-	-	-	-	W211PPB2	
INA Part #	W208PP3AH05	GW208PPB3AH06	-	-	-	W211PPB3AH02	-	-	-	-	-	
NDH Part #	AS4508BH	AS4508BK	AS4508EF	AS4508BC	AS4511BD	AS4511BE	AS4511AE	-	-	-	-	
SKF Part #	W208-PP5	W208-PPB6	W208-PPB8	W208PPB12	W211PP3	W211-PPB3	W211PP5	-	-	-	W211PPB2	
KOYO Part #	4508A2TR18SC7	4508B2TR16S	-	4508B2TR18S1	4511C2TR24SC	-	4511B2TR24SC	-	-	-	4511C2TR35R	
OTHER Part #	208A3TT-1	-	TC25-18S	-	-	211B3TTC-1	-	-	-	-	TS35-35	
SHAFT SIZE	1 1/8	1	1 1/8	1 1/8	1 1/2	1 1/2	1 1/2	40mm	40mm	40mm	2 3/16	
NOTES	O.D	80mm (P)	80mm (S)	80mm (S)	87mm (S)	100mm (P)	100mm (S)	4.000" (P)	100mm (P)	100mm (S)	4.000"	100mm (S)
	I.R	1.437"	1.437"	1.437"	1.437"	1.312"	1.312"	1.750"	1.312"	1.312"	1.750"	1.312"
	O.R	18mm	18mm	1.187"	1.187"	1.312"	1.312"	1.437"	0.9375"	25mm	1.437"	1.312"



WIR Bearings

NBR	FYH	UNIVERSAL	ASAHI	NSK	NACHI	KOYO		NTN	RHP	SKF	DESCRIPTION
UC	UC	UC	UC	UC	UC	UC		UC	1000G	YAR	SPHERICAL - GRUB SCREW, WIDE INNER RING TWO SIDES
SB	SB	SB	B	UB	B	SB		AS	1200	UB	SPHERICAL - GRUB SCREW, WIDE INNER RING ONE SIDE
SA	SA	SA	KH	EN	FH	SA		AEL	1200EC	YET	SPHERICAL - LOCK COLLAR, WIDE INNER RING ONE SIDE
NA	NA	NA	FG/UG	EW	FG/HC	HA		UEL	1000ECG	YEL	SPHERICAL - LOCK COLLAR, WIDE INNER RING TWO SIDES
SER	ER	UR	SER	UR	ER	ER		UCS	1100G	ER	CYLINDRICAL - GRUB SCREW, WIDE INNER RING TWO SIDES
CS	SC	CS	SC	-	-	-		CS	-	1726200	SPHERICAL - DEEP GROOVE BEARING
CSA	SAA	CSA	KHR	ENR		SAA		AELS	1300EC	ENR	CYLINDRICAL - LOCK COLLAR, WIDE INNER RING ONE SIDE
UCX	UCX	UCX	UCX	UCX	UCX	UCX		UCX	1000G	UCX	SPHERICAL - GRUB SCREW, WIDE INNER RING ONE SIDE
UK	UK	UK	UK	UK	UK	UK		UK	1000KG	UK	SPHERICAL - TAPER BORE
UC/TRL	UC/L3	UC-R3	-	-	-	-		UC-LLS	T1000G	-	SPHERICAL - TRIPLE LIP SEAL, WIDE INNER RING ONE SIDE
-	-	-	-	-	-	-		UR*	-	-	*COULD ALSO BE SAME AS ABOVE*

Bore Size Cross Reference

Finer Part No	Other Part No	Bore Size	Example
-12	012	3/4"	UC204-12
-14	014	7/8"	UC204-14
-16	100	1"	UC205-16
-19	103	1-3/16"	UC206-19
-20	104	1-1/4"	UC207-20
-22	106	1-3/8"	UC207-22
-23	107	1-7/16"	UC207-23
-24	108	1-1/2"	UC208-24
-26	110	1-5/8"	UC209-26
-28	112	1 3/4"	UC209-28
-30	114	1 7/8"	UC210-30
-32	200	2"	UC211-32
-36	204	2-1/4"	UC212-36
-39	207	2-7/16"	UC213-39
-40	208	2-1/2"	UC213-40
-43	211	2-11/16"	UC214-43
-44	212	2-3/4"	UC214-44
-47	215	2-15/16"	UC215-47
-48	300	3"	UC215-48
-52	304	3-1/4"	UC217-52
-56	308	3-1/2"	UC218-56G



WIR Housings

NBR	FYH	UNIVERSAL	ASAHI	NSK	NACHI		KOYO	NTN	FAG	RHP	SKF	DESCRIPTION
P000	P000	P000	P000	-	-		-	-	-	-	-	EXTRA LIGHT PILLOW BLOCK (ZINC ALLOY)
P200	P200	P200	P200	P200	P200		P200	P200	P200	NP	SY500	LIGHT PILLOW BLOCK (CAST IRON)
PX00	PX00	PX00	PX00	PX00	PX00		PX00	PX00	-	MP	PX00	MEDIUM PILLOW BLOCK (CAST IRON)
P300	P300	P300	P300	P300	P300		-	P300	-	-	P300	HEAVY PILLOW BLOCK (CAST IRON)
F200	F200	F200	F200	F200	F200		F200	F200	F200	SF	FY500	LIGHT FOUR BOLT FLANGE (CAST IRON)
FX00	FX00	FX00	FX00	FX00	FX00		FX00	FX00	-	MSF	FX00	MEDIUM FOUR BOLT FLANGE (CAST IRON)
F300	F300	F300	F300	F300	F300		-	F300	-	-	F300	HEAVY FOUR BOLT FLANGE (CAST IRON)
FL000	FL000	FL000	FL000	-	-		-	-	-	-	-	EXTRA LIGHT 2-Bolt FLANGE (ZINC ALLOY)
FL200	FL200	FL200	FL200	FL200	FL200		FL200	FL200	FL200	SFT	FYTB500	LIGHT 2-Bolt FLANGE (CAST IRON)
FC200	FC200	FC200	FC200	FC200	FC200		FC200	FC200	FC200	-	FYC200	LIGHT FOUR BOLT SPIGOTTED FLANGE (CAST IRON)
FCX00	FCX00	FCX00	FCX00	FCX00	FCX00		FCX00	FCX00	-	MFC	FCX00	MEDIUM FOUR BOLT SPIGOTTED FLANGE (CAST IRON)
C200	-	C200	C200	C200	C200		C200	C200	-	SLC	C200	LIGHT CARTRIDGE (CAST IRON)
FB200	FB200	FB200	FK200	FK200	FK200		FK200	FH200	-	-	FK200	LIGHT THREE BOLT OFFSET FLANGE (CAST IRON)
LF200	LF200	LF200	LFL200	LF200	LF200		LF200	FB200	-	LFTC	LF200	EXTRA LIGHT 2-Bolt FLANGE (CAST IRON)
PA200	PA200	PA200	PA200	PA200	PA200		PA200	UP200	-	SNP	PA200	LIGHT TAPPED BASE PILLOW BLOCK (CAST IRON)
SBH200	-	SB200	-	SB200	-		-	SB200	-	-	-	MEDIUM SAW BENCH PILLOW BLOCK (CAST IRON)
T200	T200	T200	T200	T200	T200		T200	T200	-	ST	TU500	LIGHT TAKE-UP BLOCK (CAST IRON)
PP200	-	PP200	PP200	PP200	PP200		PP200	PP200	-	LPB	PBST	EXTRA LIGHT PILLOW BLOCK (PRESSED STEEL)
PF200	-	PF200	PF200	PF200	PF200		PF200	PF200	-	SLFE	MS	EXTRA LIGHT ROUND FLANGE (PRESSED STEEL)
PFL200	-	PFL200	PFL200	PFL200	PFL200		PFL200	PFL200	-	SLFL	MST	EXTRA LIGHT 2-Bolt FLANGE (PRESSED STEEL)
PL-P	-	PL-P	-	-	-		-	-	-	PNP	SYK	THERMO-PLASTIC PILLOW BLOCK
PL-F	-	PL-F	-	-	-		-	-	-	PSF	FYK	THERMO-PLASTIC FOUR BOLT FLANGE
PL-FL	-	PL-FL	-	-	-		-	-	-	PSFT	TYTBK	2-Bolt FLANGE (THERMO-PLASTIC)
PL-PA	-	PL-PA	-	-	-		-	-	-	PSNP	-	TAPPED BASE PILLOW BLOCK (THERMO-PLASTIC)
PL-T	-	PL-T	-	-	-		-	-	-	PST	-	TAKE-UP BLOCK (THERMO-PLASTIC)
SS-P200	-	S-P	-	-	-		-	-	-	-	-	PILLOW BLOCK (STAINLESS STEEL)
SS-F200	-	S-F	-	-	-		-	-	-	-	-	FOUR BOLT FLANGE (STAINLESS STEEL)
SS-FL200	-	S-FL	-	-	-		-	-	-	-	-	2-Bolt FLANGE (STAINLESS STEEL)
SS-T200	-	S-T	-	-	-		-	-	-	-	-	TAKE-UP BLOCK (STAINLESS STEEL)



ویرا پرداز آروین پاسارگاد

با مدیریت خانم مهندس احمدی



جهت مشاوره

با کارشناسان فنی

با ما در ارتباط باشید



021 - 91001377



0935 125 90 98